

Flush-mount Microphone Socket with LED Ring and Touch Switch



Features

- **Flush-mount microphone socket for the ES945/ES947 or any phantom-powered gooseneck with a 3-pin XLRM-type output and a base diameter no greater than 21 mm**
- **Mounts unobtrusively in tabletops**
- **Switch logic output permits control of remote devices from built-in capacitance switch**
- **Integral, phantom-powered, Red/Green LED indicator ring**
- **Operates on 24-48V DC phantom power**
- **3-pin XLRF-type connector for microphone, 5-pin XLRM-type connector for output**
- **Lock tab in socket case automatically locks microphone in place, holding it there until tab is manually released by user**
- **Isolators provide mechanical dampening of mounting-surface vibration**
- **Low-profile design with low-reflectance black finish for minimum visibility**

Description

The AT8657/LED flush-mount microphone socket features a capacitive-type touch-sensitive switch, Red/Green LED indicator ring, switch logic output for controlling remote devices and a lock tab to hold microphone in place. The socket is equipped with a three-pin XLRF-type in, and a five-pin XLRM-type output connector.

The AT8657/LED requires 24-48V DC phantom power for operation. The electronics in the socket take up to 30 seconds to stabilize after power is applied; during this start-up period, some sonic disturbances may be heard upon switching if the system is "live."

The touch-sensitive switch can be used to trigger an external device.

The lock tab, located in the socket case, automatically engages when microphone is inserted, securely holding it in place until tab is manually released by user.

The output of the socket is a 5-pin XLRM-type connector.

Isolators are included with the unit for mechanical isolation from the mounting surface. A retaining ring is also included for use with gooseneck microphones. The socket is enclosed in a heavy-duty die-cast case. The low-profile housing has a low-reflectance black finish.

Installation and Operation

The AT8657/LED requires 24-48V DC phantom power for operation.

Output is low impedance (Lo-Z) balanced. The signal appears across Pins 2 and 3; Pin 1 is ground (shield). Output phase is "Pin 2 hot" – positive acoustic pressure produces positive voltage at Pin 2. Switch logic output appears between pins 1 and 4. LED logic input appears between pins 1 and 5.

The microphone socket should be installed on a flat, unobstructed mounting surface.

The AT8657/LED should be mounted to a tabletop using the included isolators in order to dampen surface vibration. To mount the socket with the isolators, a 35 mm (1³/₈") hole is recommended. Place the isolators on either side of the hole to achieve mechanical isolation from the mounting surface.

Use the retaining ring to hold a gooseneck microphone securely in the socket. Insert the microphone and plug it into the three-pin XLRF-type input, then slip the rubber isolator and retaining ring over the microphone and screw it in place at the microphone's base using included screws.

Note: The retaining ring and gooseneck isolator are used only with gooseneck microphones.

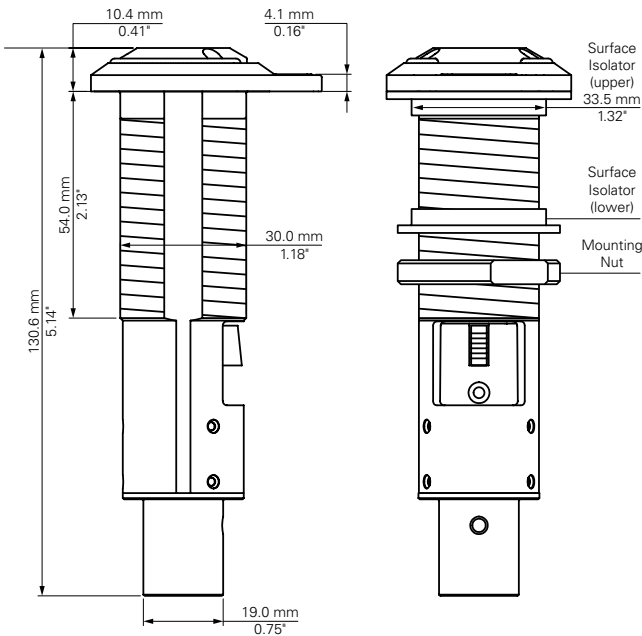
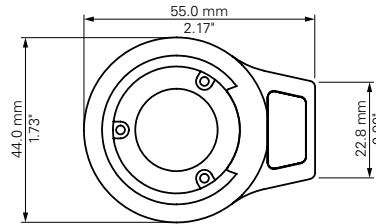
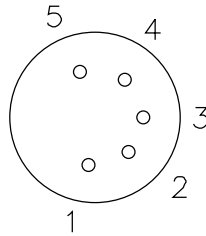
The AT8657/LED's capacitive-type touch-sensitive switch allows the user to trigger a function on an external device: Switch logic output is High (+5V DC) when pressed. Low (0V DC) when not pressed.

The LED indicator ring lights red when logic high (+5V DC) and green when logic low (0V DC).

Avoid leaving the microphone in the open sun or in areas where temperatures exceed 110° F (43° C) for long periods of time. Extremely high humidity should also be avoided.

Pin-out Configuration

| Pin | Function |
|-------|--------------|
| Pin 1 | Ground |
| Pin 2 | Audio + |
| Pin 3 | Audio - |
| Pin 4 | Switch Logic |
| Pin 5 | LED Input |



Specifications

| | |
|----------------------------|---|
| Output impedance | 360 Ohms |
| Switch logic | High (+5V DC) when pressed; Low (0V DC) when not pressed |
| I/O voltage | -0.5V to 5.5V |
| LED input | Red when high (+5V DC), Green when low (0V DC), TTL compatible |
| Maximum input voltage | -0.5V to 5.5V |
| Phantom power requirements | 24-48V DC, 4 mA typical |
| Switch | Touch-sensitive control: momentary |
| Weight | 165 g (5.8 oz) |
| Dimensions | 130.6 mm (5.14") long, 55.0 mm (2.17") maximum width |
| Input connector | 3-pin XLRF-type |
| Output connector | 5-pin XLRM-type |
| Accessories furnished | One pair surface isolators; gooseneck retaining ring & isolator; mounting nut; screws (3) |

In the interest of standards development, A.T.U.S. offers full details on its test methods to other industry professionals on request.

Specifications are subject to change without notice.

To reduce the environmental impact of a multi-language printed document, product information is available online at www.audio-technica.com in a selection of languages.

Afin de réduire l'impact sur l'environnement de l'impression de plusieurs langues, les informations concernant les produits sont disponibles sur le site www.audio-technica.com dans une large sélection de langue.

Para reducir el impacto al medioambiente, y reducir la producción de documentos en varios leguajes, información de nuestros productos están disponibles en nuestra página del Internet: www.audio-technica.com.

Para reduzir o impacto ecológico de um documento impresso de várias línguas, a Audio-Technica providência as informações dos seus produtos em diversas línguas na www.audio-technica.com.

Per evitare l'impatto ambientale che la stampa di questo documento determinerebbe, le informazioni sui prodotti sono disponibili online in diverse lingue sul sito www.audio-technica.com.

Der Umwelt zuliebe finden Sie die Produktinformationen in deutscher Sprache und weiteren Sprachen auf unserer Homepage: www.audio-technica.com.

Om de gevolgen van een gedrukte meertalige handleiding op het milieu te verkleinen, is productinformatie in verschillende talen "on-line" beschikbaar op: www.audio-technica.com.

本公司基於減少對環境的影響，將不作多語言文件的印刷，有關產品訊息可在 www.audio-technica.com 的官方網頁上選擇所屬語言及瀏覽。

本公司基于减少对环境的影响，将不作多语言文档的印刷，有关产品信息可在 www.audio-technica.com 的官方网页上选择所属语言和浏览。

자원절약, 환경보호를 위해 국문 사용 설명서는 인쇄하지 않았습니다. 제품정보는 www.audio-technica.com 에서 원하는 언어 선택 후에 다운로드 받으실 수 있습니다.



Audio-Technica Corporation
audio-technica.com ©2014 Audio-Technica