

Technomad Pole Adaptors

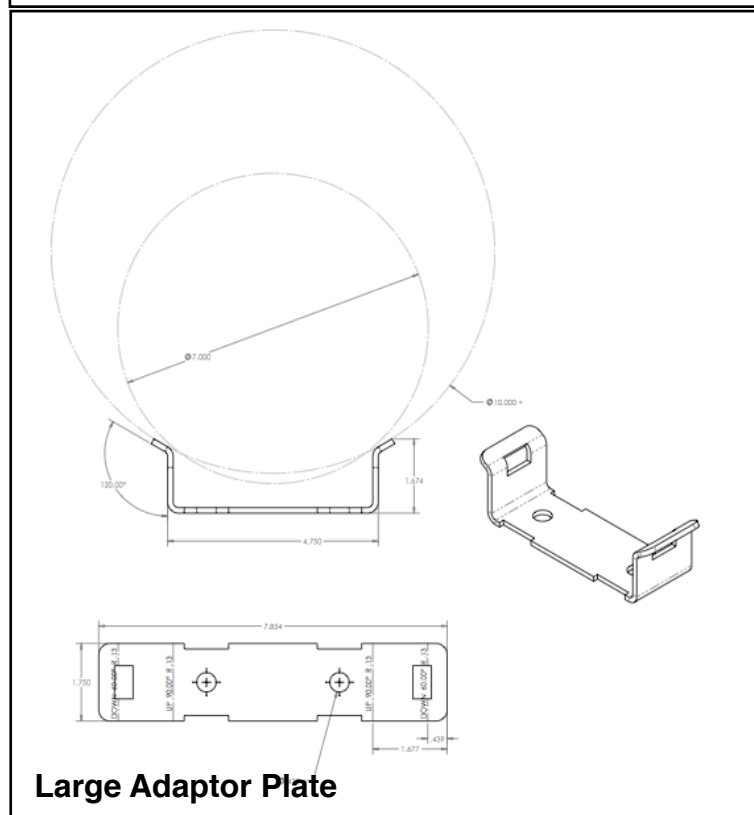
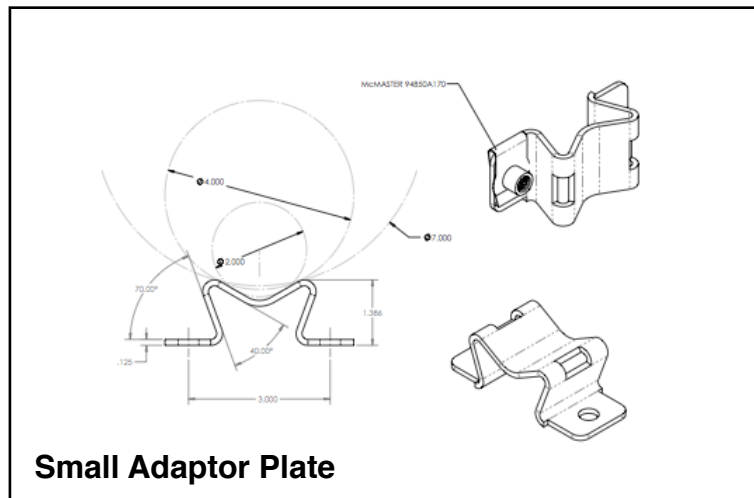
Technomad offers two sizes of pole adaptor for the AS Series loudspeakers. Both allow speakers to be mounted on a pole using either the Berlin and Noho wallmount. Made of the same gauge of stainless steel as the wallmounts, the pole adaptors bolt onto the wall plate portion of the wallmount and provide an interface so that the assembly will sit without rocking on the pole.

Each set of pole adaptors includes two adaptor plates and stainless hardware to bolt the plates on to the wall plate portion of the wallmount. Stainless steel banding is required and is not supplied by Technomad. Banding and closures can be obtained from industrial supplies such as McMaster-Carr and Grainger.

The large pole adaptor is designed to work on poles 7" or greater in diameter.

The small pole adaptor is designed to work on poles 7" or smaller in diameter.

Each adaptor set will work with one wallmount. Multiple wallmounts cannot be supported by one pole adaptor kit.



WARNING: Mounting and/or suspension of loudspeakers should be done by experienced professionals. The improper installation of a loudspeaker can result in property damage, personal injury and/or liability to the installing contractor. Proper installation of this yoke mount bracket is the responsibility of the person installing it.