

AMS VariBall Multi Angle Accessory Bracket Mounting and Installation Guide

1. Safety Instructions

Installation safety notice

1. The user is responsible for fixing the hardware to the surface to ensure safe operation. The fixings must support the weight of the product. Please consult the manual's specification page for the appropriate weights. Please consult the relevant construction codes in your region or further information on suitable hardware fixing methods.
2. Some regional construction codes require the use of a secondary method of securing loudspeakers to surfaces to provide security of a back-up support. A secondary support line should be attached from the safety loop on the rear of the product to a source point on the wall. Please consult the relevant construction codes in your region.
3. Tannoy will not be held accountable for any damage caused by incorrect installation.

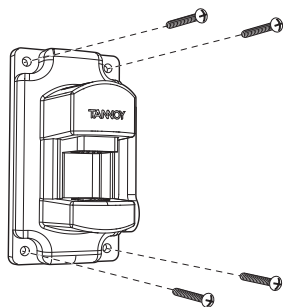
2. Unpacking

Every Tannoy product is carefully inspected before shipment. After unpacking, please inspect your product to ensure no damage has occurred in transit. In the unlikely event of damage, please notify your dealer and retain all shipping materials as your dealer may require return shipment.

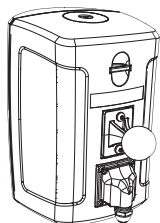
The optional multi-angle accessory bracket utilizes a ball-in-socket design to enable free orientation of the loudspeaker at any angle on either the horizontal or vertical axis. If desired, the loudspeaker orientation can be easily changed within minutes.

3. Installation

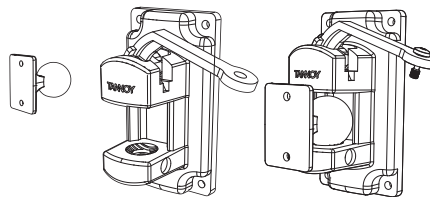
1. Fix the wall bracket to the wall surface using suitable fixing method for supporting the loudspeaker with ample safety margins.



2. Fix the ball bracket to the rear of the loudspeaker using the supplied screws and a 3 mm Allen key. Two screws are used for AMS 5 models; four screws are used for AMS 6 and AMS 8 models.



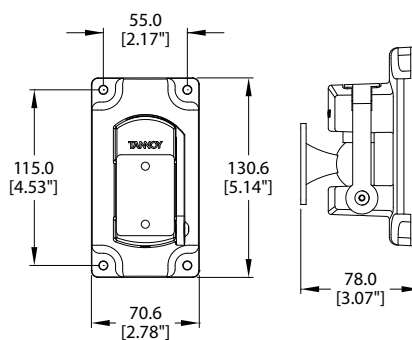
3. Raise the lever to open the wall bracket. Insert the ball into the wall bracket, then lower the lever to lock the ball into place. Raise the lever if any readjustment is necessary then lock the lever down using the screw. Once in final position, tighten the grub screw at the bottom of the wall bracket to secure in place.



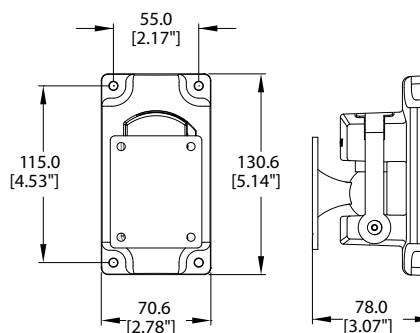
For details of audio connections and setting transformer taps please refer to the product's Quick Start Guide or online manual.

4. Product Dimensions

Optional multi-angle accessory bracket AMS 5 model



Optional multi-angle accessory bracket AMS 6 and 8 models



5. Legal Disclaimer and Limited Warranty

Music Tribe accepts no liability for any loss which may be suffered by any person who relies either wholly or in part upon any description, photograph, or statement contained herein. Technical specifications, appearances and other information are subject to change without notice. All trademarks are the property of their respective owners. Midas, Klark Teknik, Lab Gruppen, Lake, Tannoy, Turbosound, TC Electronic, TC Helicon, Behringer, Bugera and Coolaudio are trademarks or registered trademarks of Music Tribe Global Brands Ltd. © Music Tribe Global Brands Ltd. 2018 All rights reserved.

For the applicable warranty terms and conditions and additional information regarding Music Tribe's Limited Warranty, please see complete details online at musictribe.com/warranty.