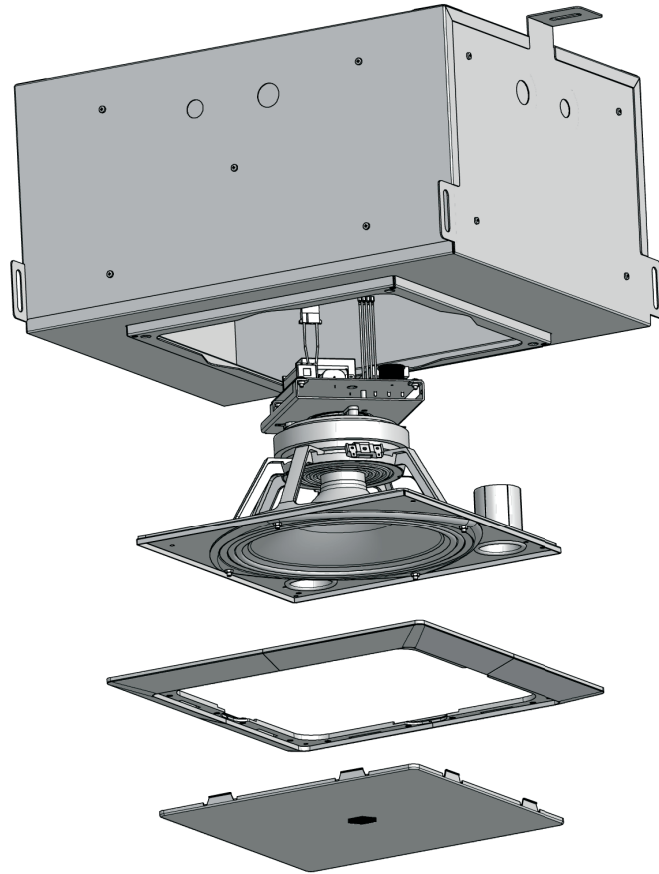


CMS 1201 GRILLE ASSEMBLY

EN

Grille Assembly for CMS 1201 Ceiling Loudspeakers and CMS 1201SW Ceiling Subwoofers.

Fitting the grille



1. Mount back can into ceiling. Use a minimum of $\frac{1}{2}$ " thick plaster board to match the protrusion on the back can. (Refer to Back can Quick Start Guide for details)
2. Fit the loudspeaker to the back can with provided screws. Make sure speaker driver and baffle are already secured with screws.
3. Place the grill frame over the speaker baffle and close against the ceiling. Fix the grille onto the baffle with screws.
4. Push the grille into the frame.