

Bose® FreeSpace® DS 100F Loudspeaker

Installation Guide*

Installationsvejledning*

Installationsanleitung*

Guía de instalación*

Guide d'installation*

Guida all'installazione*

Installatiehandleiding*

Installationsanvisning*

BOSE®



** For use by trained installers only.*

** Kun til brug for erfarne installatører.*

** Montage ausschließlich durch ausgebildetes Installationspersonal.*

** Para uso exclusivo de instaladores capacitados.*

** Réservé aux installateurs ayant suivi une formation.*

** Solo per l'uso da parte di installatori professionisti.*

** Uitsluitend voor gebruik door ervaren installateurs.*

** Ska endast användas av utbildade installatörer.*

Installation

Package Contents

Kassen indeholder

Packungsinhalt

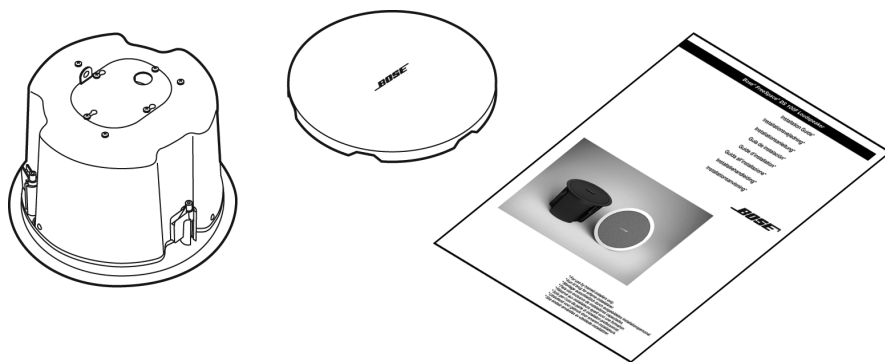
El paquete contiene

Contenu de l'emballage

Contenuto della confezione

Inhoud van de verpakking

Paketets innehåll



Dimensions

Mål

Abmessungen

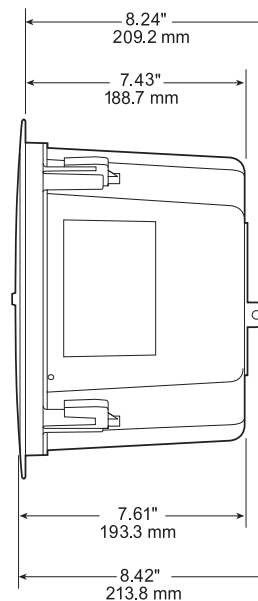
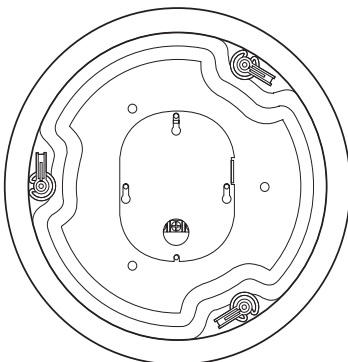
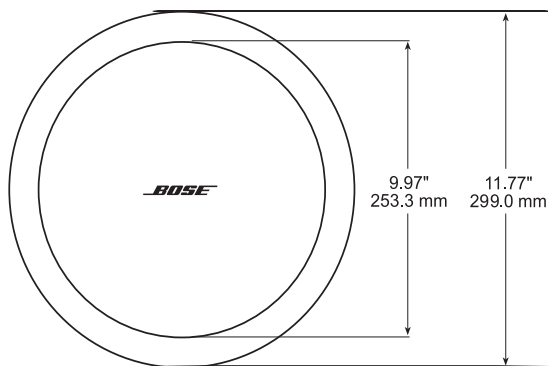
Dimensiones

Dimensions

Dimensioni

Afmetingen

Dimensioner



Choices

Valgmuligheder

Optionen

Opciones

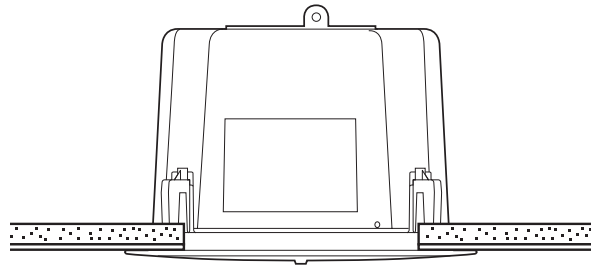
Au choix

Opzioni

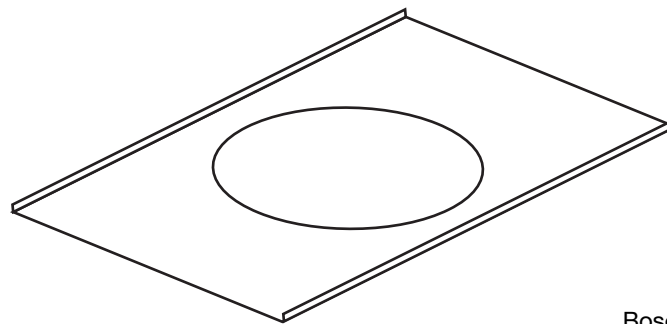
Keuzes

Alternativ

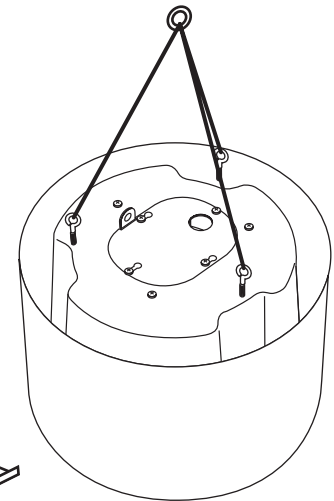
Requires use of a Bose® Tile Bridge or Rough-in Pan.
 Kræver brug af en flisebro eller skål til planmontering fra Bose®.
 Hierfür ist eine Bose®-Deckenbrücke oder ein Einbausatz erforderlich.
 Requiere el uso de un Puente de panel o Cubeta encastrable Bose®.
 Nécessite la plaque de renfort ou la plaque de montage Bose®.
 Richiede l'uso un bridge o un rough-in pan Bose®.
 Vereist het gebruik van een bevestigingsplaat voor hangende plafonds met tegels of een pre-installatiekit.
 Kräver en Bose®-brygga eller avlastningsplatta.



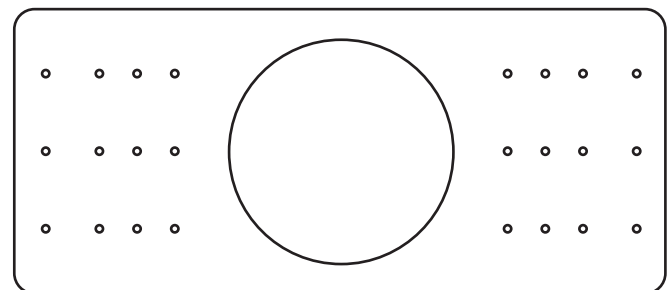
Bose Tile Bridge



Bose Pendant Mount Kit



Bose Rough-in Pan



Connections

Be sure to observe all local building codes.

Tilslutninger

Sørg for at overholde alle lokale byggereglementer.

Anschlüsse

Beachten Sie unbedingt die örtlich geltenden Bauvorschriften.

Conexiones

Asegúrese de seguir todas las normas de construcción locales.

Raccorde-ments

Veiller à respecter la réglementation locale.

Collegamenti elettrici

Attenersi alle norme locali per l'edilizia.

Verbindingen

Neem alle plaatselijke bouwverordeningen in acht.

Anslutningar

Se till att du följer lokala byggbestämmelser.

With use of direct input terminals

Ved anvendelse af direkte indgangsterminaler

Bei Verwendung direkter Eingangsklemmen

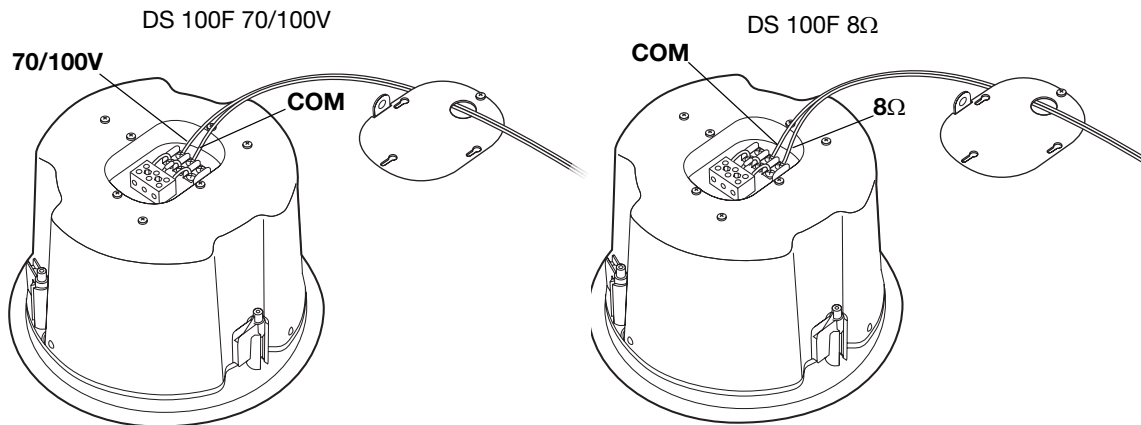
Con uso de terminales de entrada directa

Avec bornes à entrée directe

Con terminali di ingresso diretto

Bij gebruik van ingangconnectors voor rechtstreekse aansluiting

Med användning av direktingångsuttag



With use of the ceramic terminals

Ved anvendelse af keramiske terminaler

Bei Verwendung keramischer Klemmen

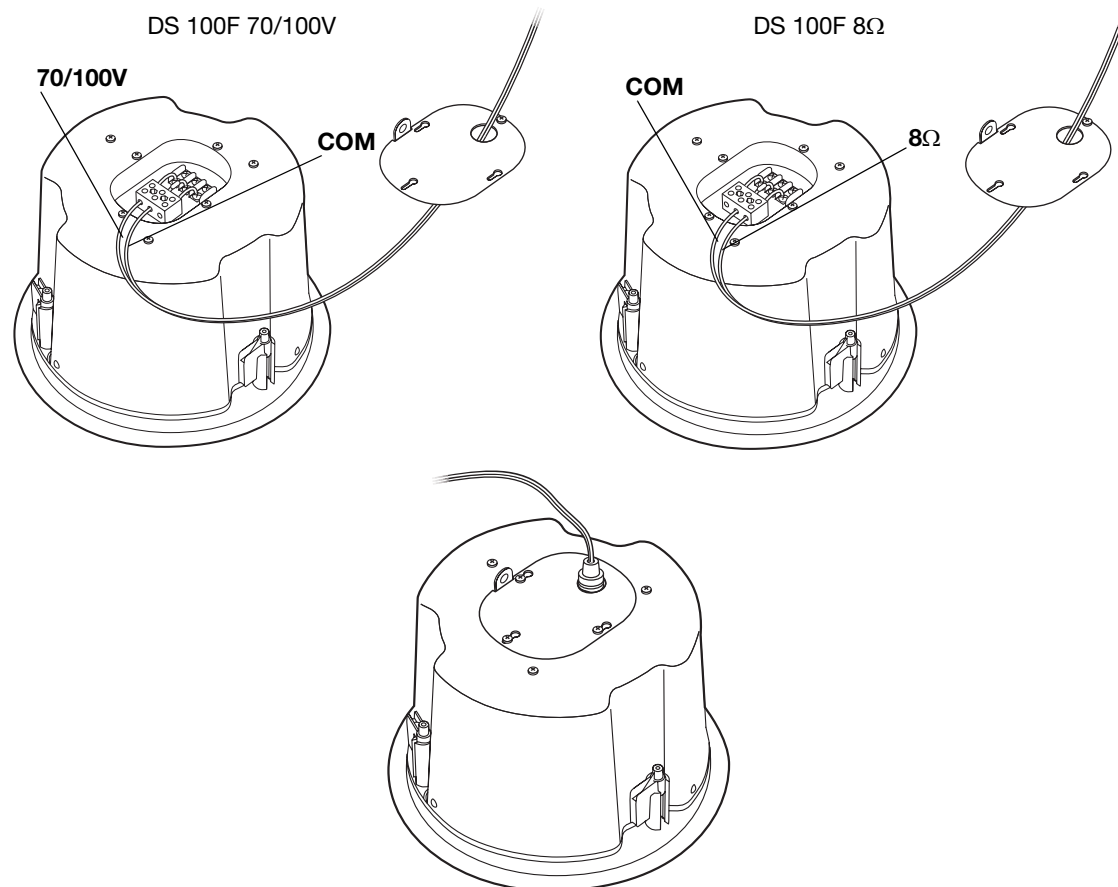
Con uso de los terminales cerámicos

Avec les bornes en céramique

Con terminali in ceramica

Bij gebruik van de keramische connectors

Med användning av keramiska uttag



Mounting the loudspeaker

Montering til højttaleren

Aufbau die lautsprecher

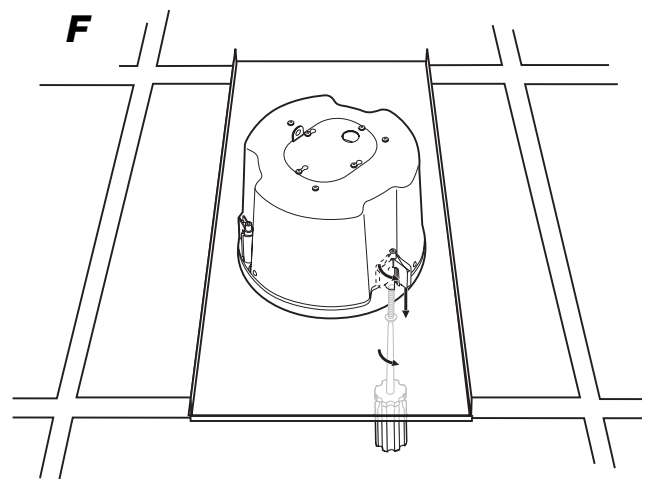
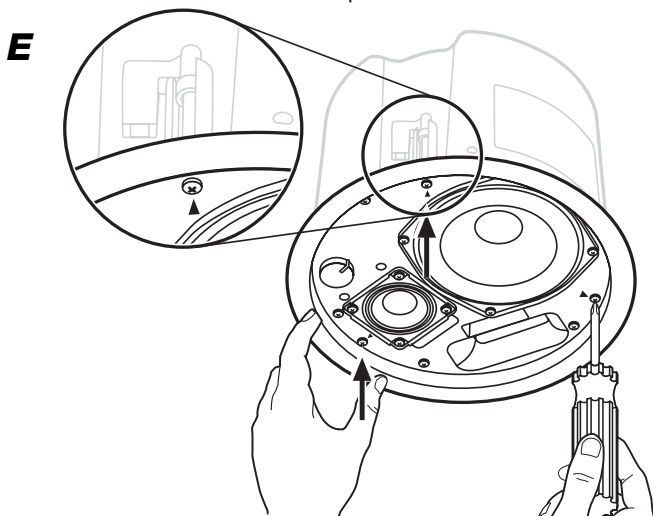
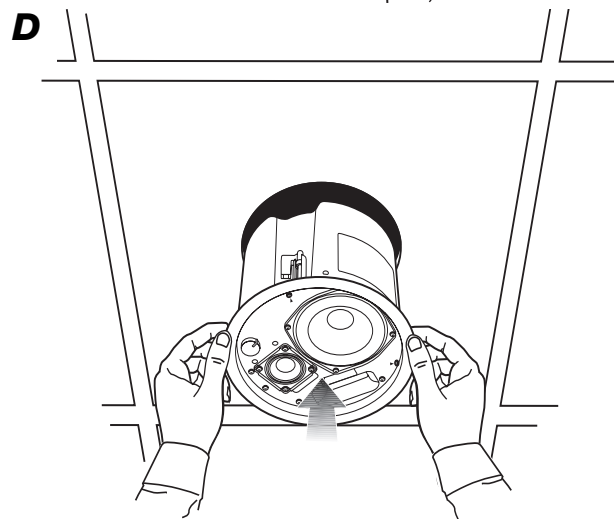
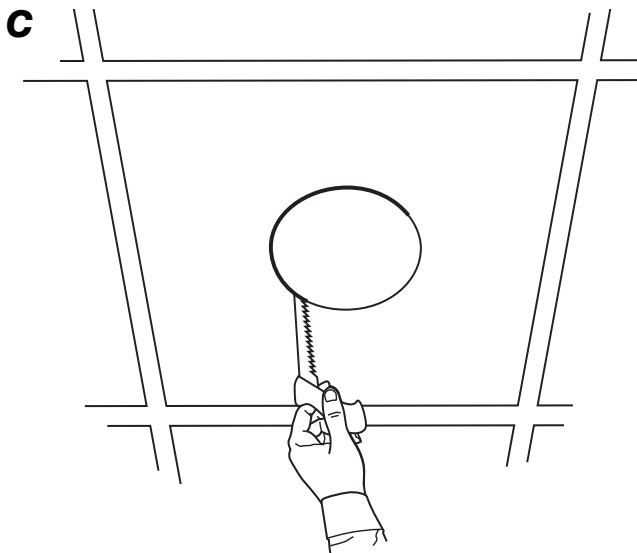
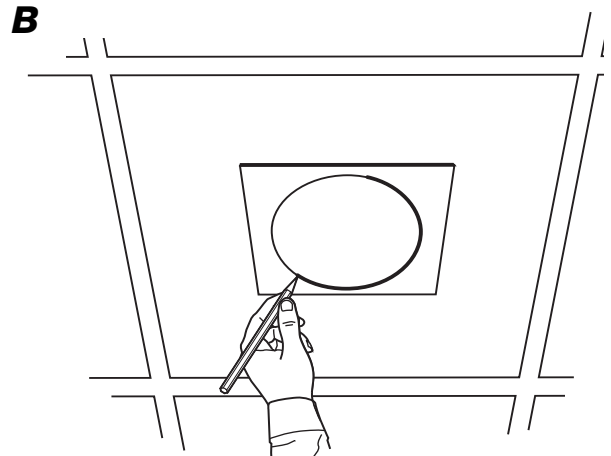
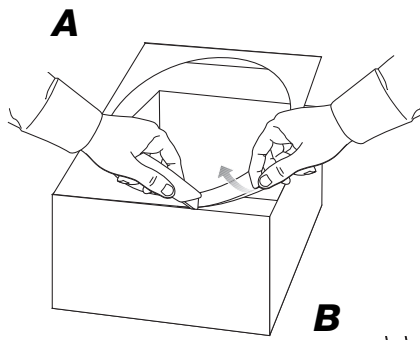
Montaje el altavoz

Fixation l'enceinte

Installazione il diffusore

**Monteren van de
luidspreker**

Montering det högtalare



Installation

Transformer tap setting or bypass

Transformer tapsætning eller lavohms

Einstellen der Transformator-abgriffe bzw. deren Umgehung

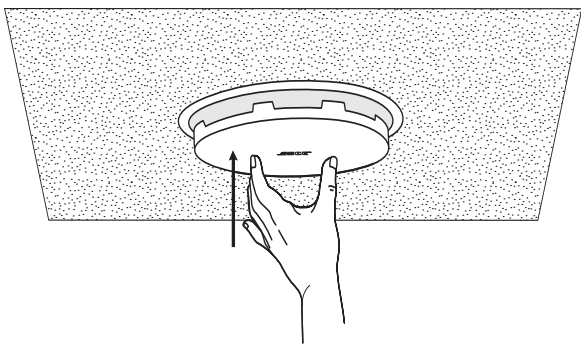
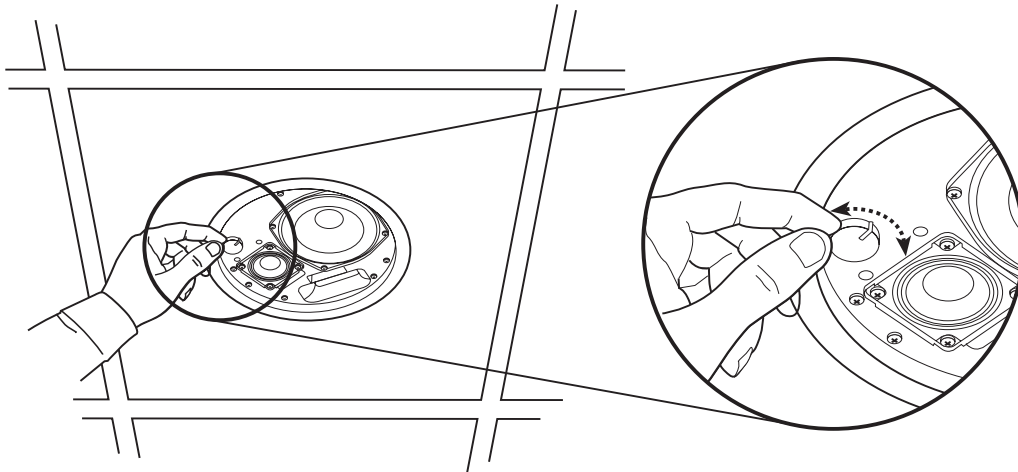
Ajuste del cambiador de la relación de transformación o bypass

Position des réglages ou shunt du transformateur

Trasformatore: impostazione delle potenze intermedie; esclusione.

Aftakings-instelling van de transformator of bypass

Tappinställning eller avledning för transformator



Safety and Regulatory Compliance

The FreeSpace® DS 100F loudspeaker has passed extensive testing and complies with the following specifications and uses:

LISTED to ANSI/UL 1480-2005

- Fire Protective Signaling Use – UL Category UUMW, File Number S 3241. Control Number 42S9. Not for use with DC-supervised systems.
- General Purpose Use – UL Category UEAY, File Number S 5591 Control Number 3N89.
- Suitable for use indoors in damp locations.
- Suitable for installation using Class 1, Class 2, or Class 3 wiring methods in accordance with NFPA 70, *National Electric Code*, 2002, Article 640.
- Suitable for use with fire alarm circuit wiring methods in accordance with NFPA 70, *National Electric Code*, 2002, Article 760.
- Suitable for use in air handling (plenum) spaces.
- UL-2043, *Fire Test and Visible Smoke Release for Discrete Products and their Accessories Installed in Air Handling Spaces*.
- NFPA 70, *National Electric Code*, 2002, Article 300-22 (c).
- NFPA 90-A, 2002, *Installation of Air Conditioning and Ventilation Systems*, Paragraph 4.3.10.2.6.5.

EMC Directive 89/336/EEC and Article 10 (1) of the directive, EN50081-1 and EN50082-1 as signified by the CE mark.

The DS 100F also has been designed to the requirements defined in the following European regulatory specifications for combination systems:

- British Standard Code of Practice BS 5839, Part 8.
- Tested to IEC60268-5.

UL Sensitivity Wattage Tap Sound Pressure Level dBA at 3.1 meters (10 feet):


Wattage	ANSI/UL 1480-2005	
	70V	100V
12.5 Watt	82 dBA	–
25 Watt	85 dBA	85 dBA
50 Watt	87 dBA	87 dBA
100 Watt	90 dBA	90 dBA
8 Ohm	90 dBA	

SPLs given are per the UL 1480 specified reporting method.

Frequency response:

Fire alarm: 400 Hz to 4 kHz

General Signaling: 80 Hz to 16 kHz (±3 dB)

 The Declaration of Conformity for this product can be found at www.Bose.com/static/compliance/index.html.

Wire gauge

The FreeSpace® DS 100F loudspeaker is designed to work with 18 AWG (0.8 mm²) to 14 AWG (2.0 mm²) size wire only. 7



BOSE[®]
Better sound through research[®]

©2007 Bose Corporation, The Mountain
Framingham, MA 01701-9168 USA
300288 AM Rev.01 N10F