

## **Bose® FreeSpace® DS 16F Loudspeaker**

Installation Guide\*

Installationsvejledning\*

Installationsanleitung\*

Guía de instalación\*

Guide d'installation\*

Guida all'installazione\*

Installatiehandleiding\*

Installationsanvisning\*

***BOSE***®



*\* For use by trained installers only*

*\* Kun til brug for erfarne installatører*

*\* Montage ausschließlich durch ausgebildetes Installationspersonal*

*\* Para uso exclusivo de instaladores capacitados*

*\* Réservé aux installateurs ayant suivi une formation*

*\* Solo per l'uso da parte di installatori professionisti*

*\* Uitsluitend voor gebruik door ervaren installateurs*

*\* Ska endast användas av utbildade installatörer*

## Installation

### Package Contents

### Kassen indeholde

### Packungsinhalt

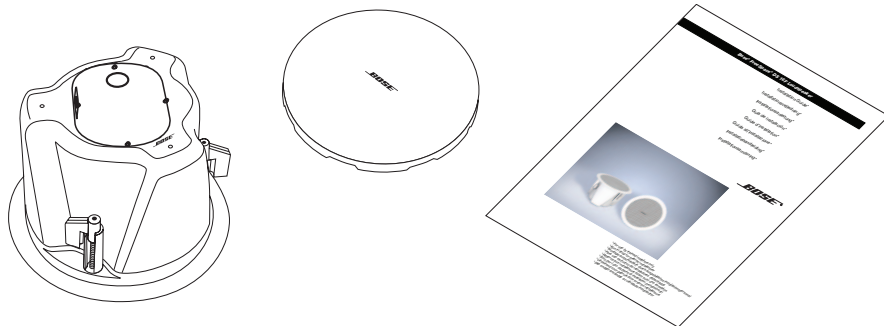
### El paquete contiene

### Contenu de l'emballage

### Contenuto della confezione

### Inhoud van de verpakking

### Paketets innehåll



### Dimensions

### Mål

### Abmessungen

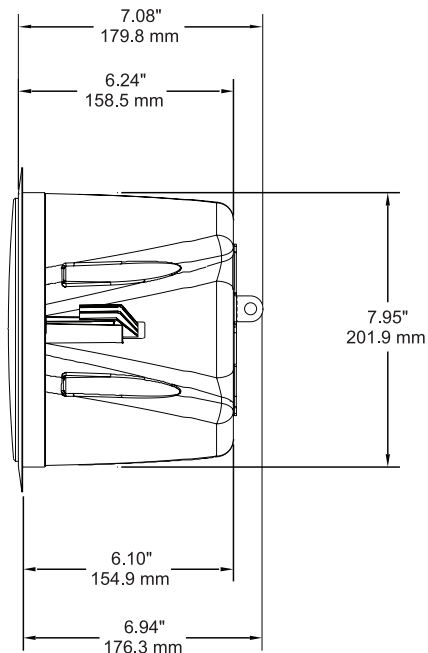
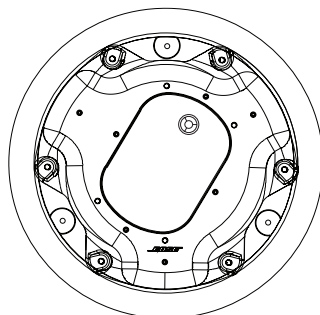
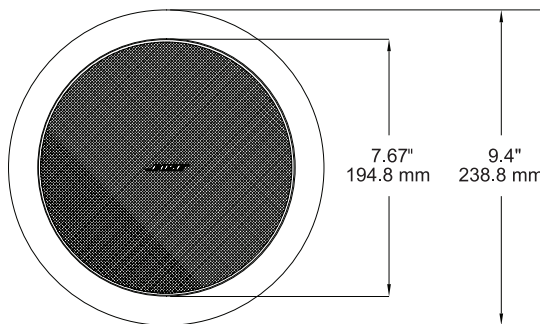
### Dimensiones

### Dimensions

### Dimensioni

### Afmetingen

### Dimensioner



**Choices**

Requires use of a Bose® Tile Bridge or Rough-in Pan.

**Valgmuligheder**

Kræver brug af en flisebro eller skål til planmontering fra Bose®.

**Optionen**

Hierfür ist eine Bose®-Deckenbrücke oder ein Einbausatz erforderlich.

**Opciones**

Requiere el uso de un Puente de panel o Cubeta encastrable Bose®.

**Au choix**

Nécessite la plaque de renfort ou la plaque de montage Bose®.

**Opzioni**

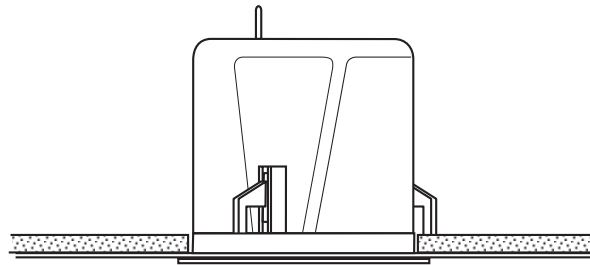
Richiede l'uso un bridge o un rough-in pan Bose®.

**Keuzes**

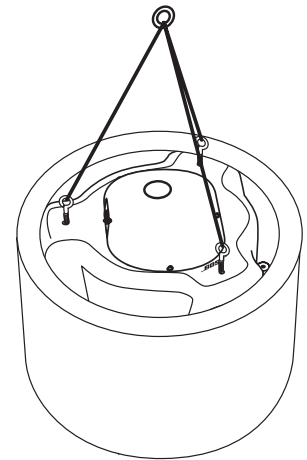
Vereist het gebruik van een bevestigingsplaat voor hangende plafonds met tegels of een pre-installatiekit.

**Alternativ**

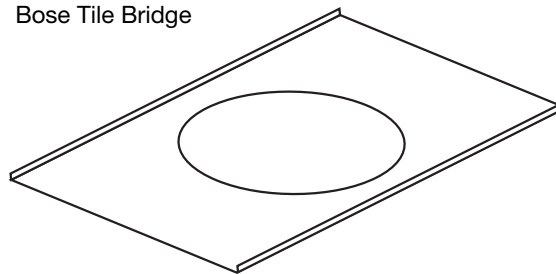
Kräver en Bose®-brygga eller avlastningsplatta.



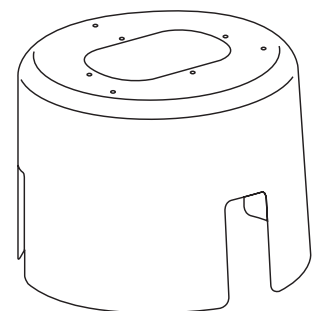
Bose Pendant Mount Kit



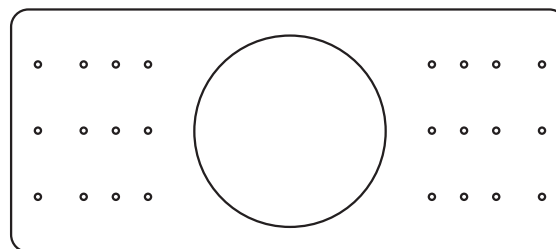
Bose Tile Bridge



PC-16 Plenum Cover



Bose Rough-in Pan



## Installation

### Connections

Be sure to observe all local building codes

### Tilslutninger

Sørg for at overholde alle lokale byggereglementer

### Anschlüsse

Beachten Sie die örtlichen Bauvorschriften

### Conexiones

Asegúrese de seguir todas las normas de construcción locales

### Raccorde-ments

Veillez à respecter la réglementation locale

### Collegamenti elettrici

Attenersi alle norme locali per l'edilizia

### Verbindingen

Neem alle plaatselijke bouwverordeningen in acht

### Anslutningar

Försäkra dig om att du följer alla lokala byggnadsbestämmelser

With use of direct input terminals

Ved anvendelse af direkte indgangsterminaler

Bei Verwendung der direkten Eingangsbuchsen

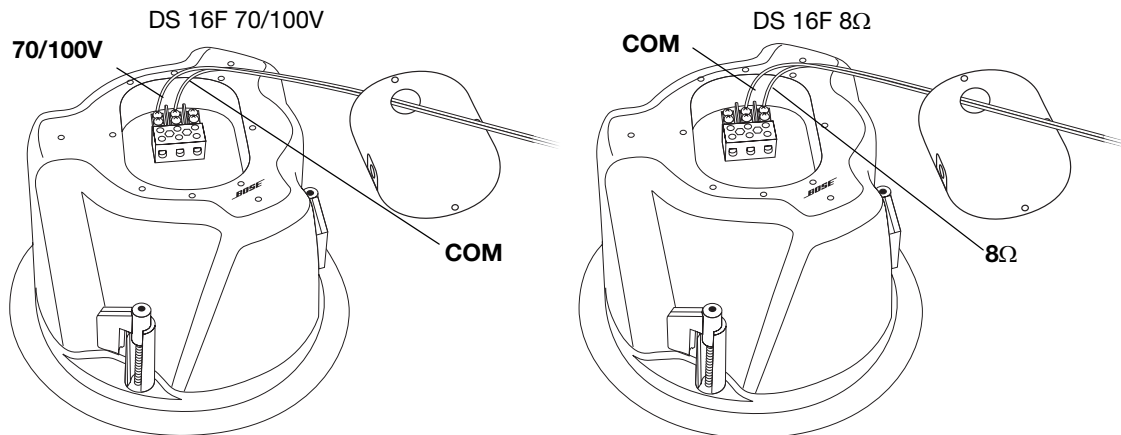
Con uso de terminales de entrada directa

Avec bornes à entrée directe

Con terminali di ingresso diretto

Via directe-ingangsconnectors

Vid användning av direkta ingångsterminaler



With use of the ceramic terminals

Ved anvendelse af keramiske terminaler

Bei Verwendung der keramischen Anschlüsse

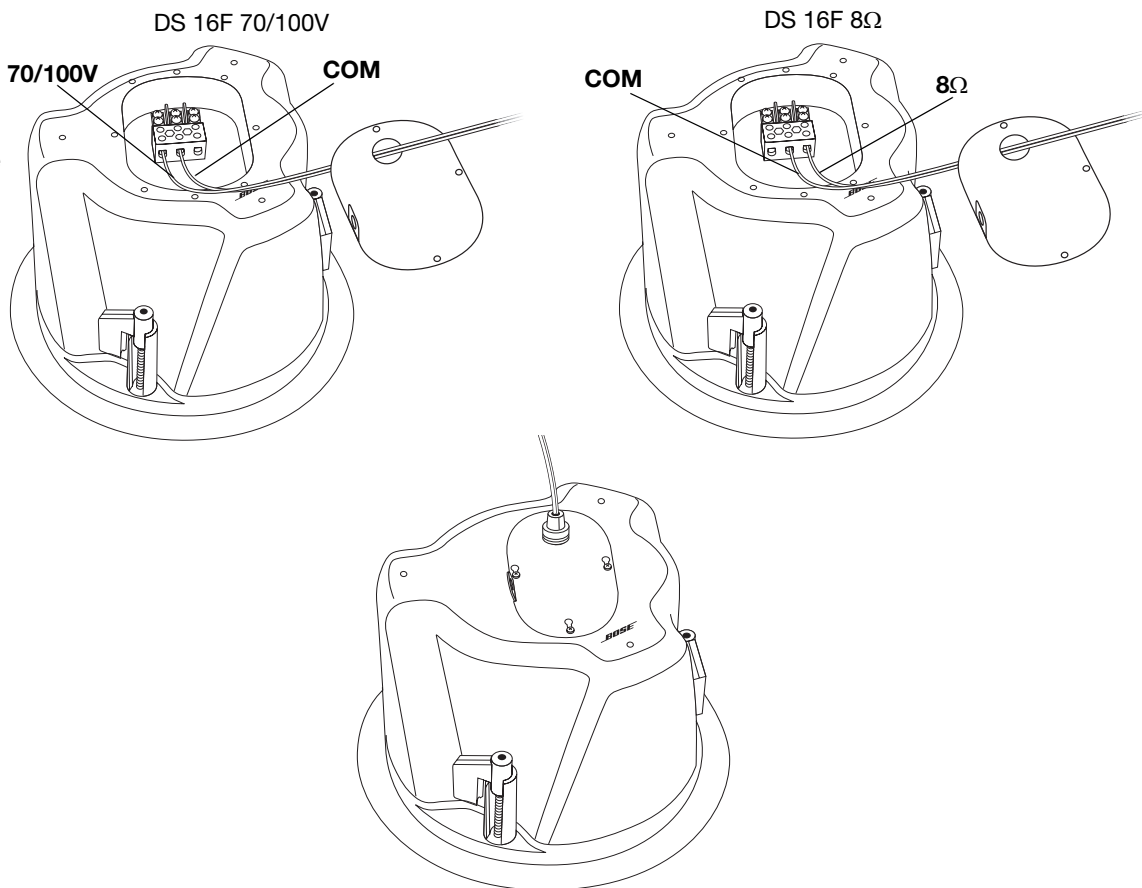
Con uso de los terminales cerámicos

Avec les bornes en céramique

Con terminali in ceramica

Via de keramische connectors

Vid användning av keramiska terminaler



**Mounting the loudspeaker**

**Montering til højttaleren**

**Aufbau die lautsprecher**

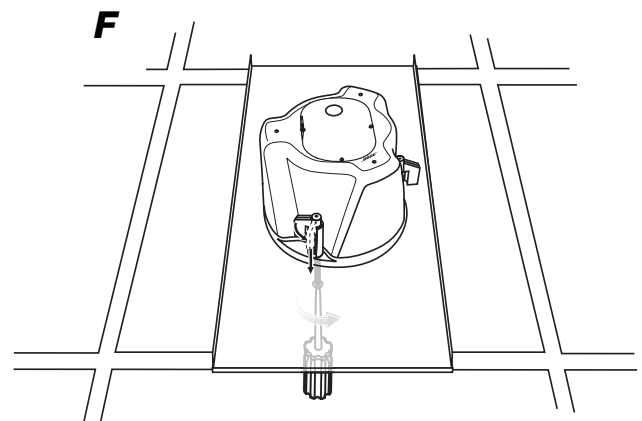
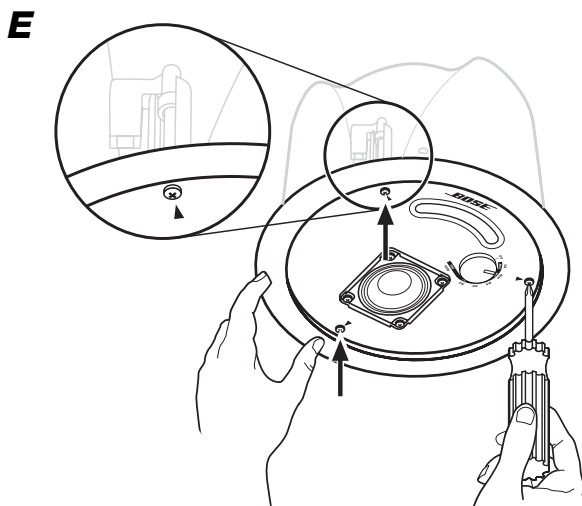
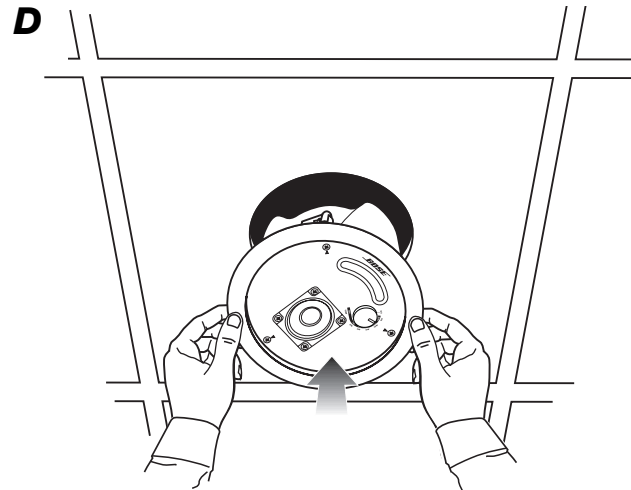
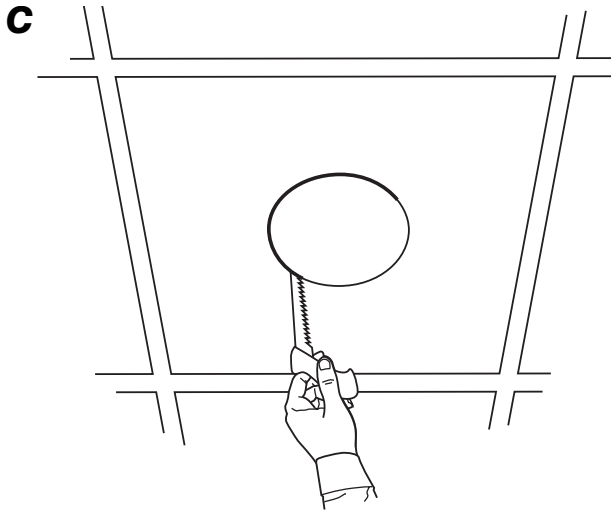
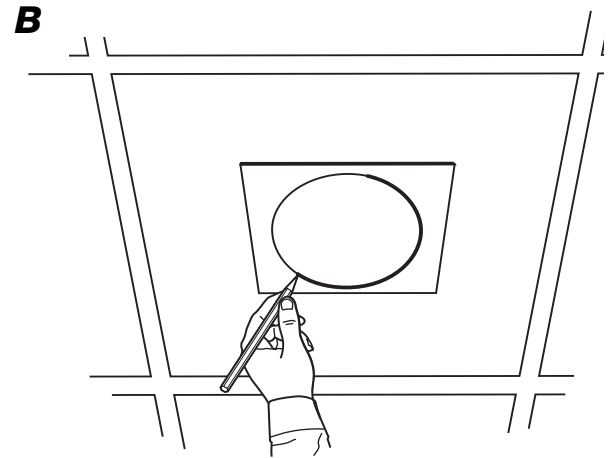
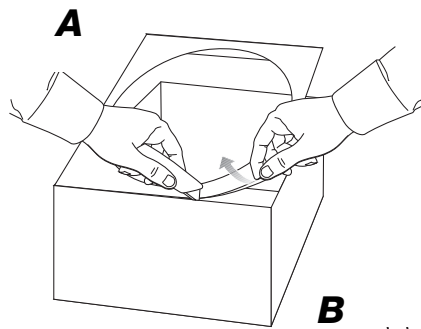
**Montaje el altavoz**

**Fixation l'enceinte**

**Installazione il diffusore**

**Monteren van de  
luidspreker**

**Montering det högtalare**



English

Dansk

Deutsch

Español

Français

Italiano

Nederlands

Svenska

**Transformer tap setting or bypass**

**Transformer tapsætning eller lavohms**

**Einstellen der Transformator-abgriffe bzw. deren Umgehung**

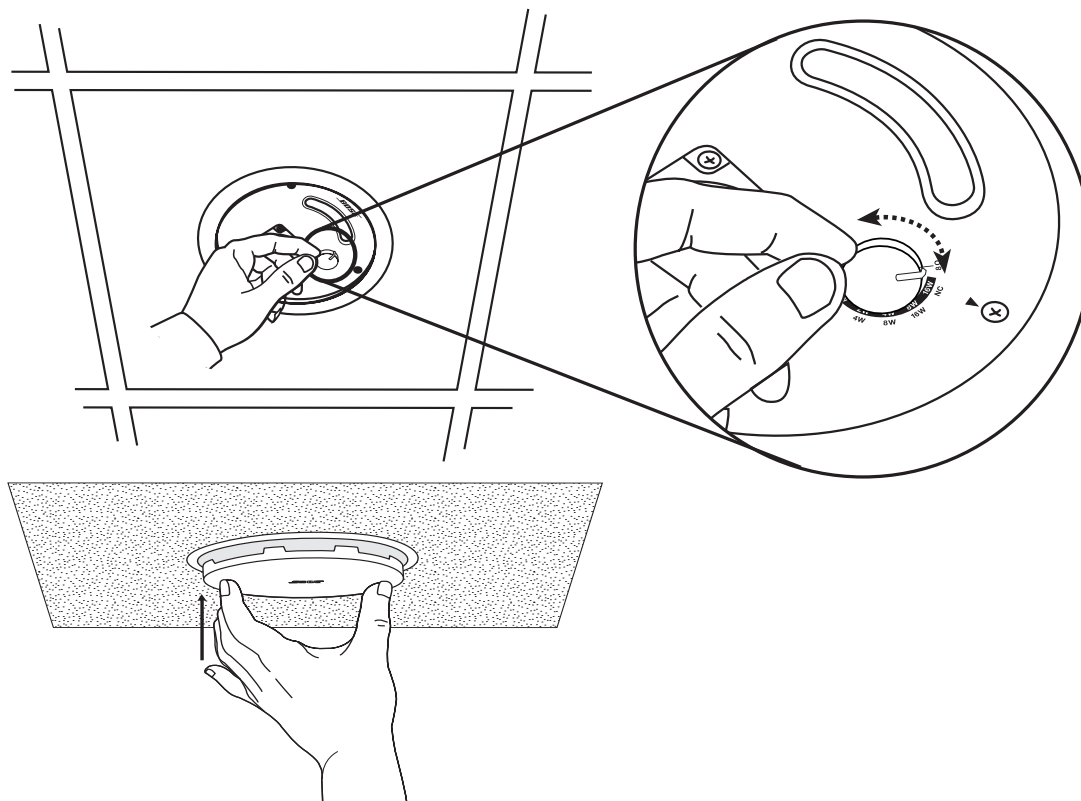
**Ajuste del cambiador de la relación de transformación o bypass**

**Position des réglages ou shunt du transformateur**

**Trasformatore: impostazione delle potenze intermedie; esclusione.**

**Aftakkings-instelling van de transformator of bypass**

**Tappinställning eller avledning för transformator**



## Safety and regulatory compliance

The FreeSpace® DS 16F loudspeaker has passed extensive testing and complies with the following specifications and uses:

Listed to ANSI/UL 1480-2005

- Fire Protective Signaling Use – UL Category UUMW, File Number S 3241. Control Number 42S9. Not for use with DC-supervised systems.
- General Purpose Use – UL Category UEAY, File Number S 5591 Control Number 3N89.
- Suitable for use indoors in damp locations.
- Suitable for installation using Class 1, Class 2, or Class 3 wiring methods in accordance with NFPA 70, *National Electric Code*, 2002, Article 640.
- Suitable for use with fire alarm circuit wiring methods in accordance with NFPA 70, *National Electric Code*, 2002, Article 760.
- Suitable for use in air handling plenum spaces with a model PC-16 Plenum Cover installed.
- UL-2043, *Fire Test and Visible Smoke Release for Discrete Products and their Accessories Installed in Air Handling Spaces*.
- NFPA 70, *National Electric Code*, 2002, Article 300-22 (c).
- NFPA 90-A, 2002, *Installation of Air Conditioning and Ventilation Systems*, Paragraph 4.3.10.2.6.5.

EMC Directive 89/336/EEC and Article 10 (1) of the directive, EN50081-1 and EN50082-1 as signified by the CE mark.

The DS 16F also has been designed to the requirements defined in the following European regulatory specifications for combination systems:

- British Standard Code of Practice BS 5839, Part 8 (with PC-16).
- Tested to IEC60268-5.

UL Sensitivity Wattage Tap Sound Pressure Level dBA at 3.1 meters (10 feet):

Wattage Tap	ANSI/UL 1480-2005	
	70V	100V
1 Watt	72 dBA	-
2 Watt	75 dBA	75 dBA
4 Watt	79 dBA	79 dBA
8 Watt	81 dBA	81 dBA
16 Watt	83 dBA	83 dBA
8 Ohm	84dBA	

SPLs given are per the UL 1480 specified reporting method.

Frequency response:

Fire alarm: 400 Hz to 4 kHz  
General Signaling: 80 Hz to 16 kHz (±3 dB)



The Declaration of Conformity for this product can be found at [www.bose.com/static/compliance/index.html](http://www.bose.com/static/compliance/index.html).

### Wire gauge

The FreeSpace® DS 16F loudspeaker is designed to work with 18 AWG (0.8 mm<sup>2</sup>) to 14 AWG (2.0 mm<sup>2</sup>) size wire only.

***BOSE***<sup>®</sup>  
*Better sound through research*<sup>®</sup>

©2007 Bose Corporation, The Mountain  
Framingham, MA 01701-9168 USA  
AM299985 Rev.00