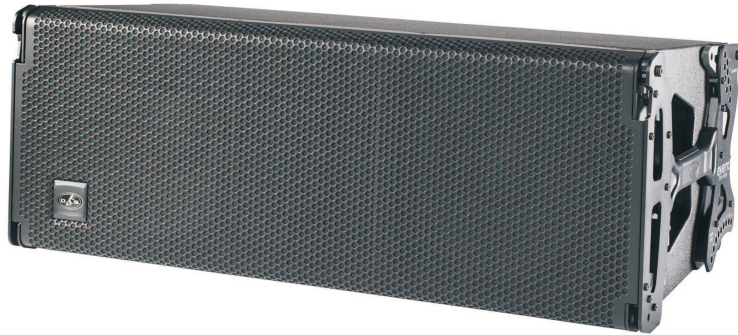


EVENT-212A Powered 3-way line array system



- » Class D amplifier 3 x 1000 Wpeak
- » FIR filters for linear phase response
- » 2 x 12" DAS loudspeakers in dual band configuration
- » 1 x DAS M-75 compression driver
- » Robust quick-rig professional rigging hardware
- » DAScontrol™ with presets and configurations

The DAS EVENT-212A is a powered, 3-way line array which employs two DAS 12" loudspeakers in a dual band configuration where each speaker operates in a specific frequency range. At low frequencies, the speakers work in tandem for maximum power, each driven by a dedicated amplifier channel providing 1000 Wpeak output power.

The DAS loudspeaker units have been teamed up with a single M-75 compression driver and purpose-designed injected aluminum high frequency waveguide to provide unmatched performance, sensitivity and coverage.

The EVENT-212A line array incorporates the DAScontrol™

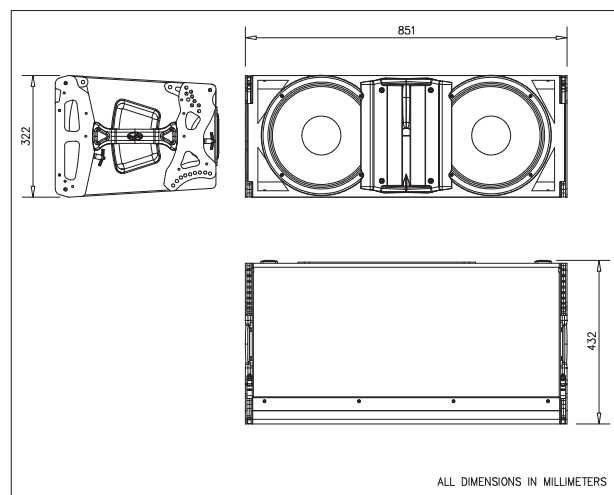
interface which offers a quick and hassle-free set-up of the systems in arrays and easy alignment with the EVENT-218A and EVENT-121A subwoofer systems. Presets for the number of units of the array, HF compensation for throw distances, and correction for the splay angle of the array can be selected by way of DAScontrol™ and the LCD screen.

The powerful DSP of the EVENT-212A includes Finite Impulse Response (FIR) filters providing linear phase response and precise impulse response which in terms of performance, results in added clarity, defined attack in percussion and overall, a more natural sound.

Technical Specifications

Nominal LF Power Amplifier	1000 Wpeak - 500 Wcontinuous
Nominal MF Power Amplifier	1000 Wpeak - 500 Wcontinuous
Nominal HF Power Amplifier	1000 Wpeak - 500 Wcontinuous
Input Type	Balanced Differential Line
Input Impedance	20 kohms
Sensitivity¹	6.2 V (+18 dBu)
On-axis Frequency Range (-10 dB)	60 Hz - 20 kHz
Maximum Peak SPL at 1 meter	135 dB
Horizontal Coverage (-6 dB)	90° H
Vertical Coverage	Splay dependent
Enclosure Material	Birch Plywood
Finish	Black Polyurea Paint
Transducers/Replacement Parts	LF: 12MI4/ GM-12MI4 MF: 12MI4/ GM-12MI4 HF: M-75 / GM-M75N
Connectors	INPUT: 1 x Female XLR LOOP THRU: 1 x Male XLR AC INPUT: powerCon NAC3FCA AC OUTPUT: powerCon NAC3FCB
AC Power Requirements	115 V, 3.6 A, 50 Hz/60 Hz 230 V, 1.8 A, 50 Hz/60 Hz
Dimensions (H x W x D)	322 x 851 x 432 mm 12.7 x 33.5 x 17 in
Weight	40.5 kg (89 lb)
Accessories (optional)	AX-EV212; AXS-EV212; FUN-4-EV212 PL-EV212S; PICKUP-AX-EV212 AX-COMBOEV1208 AX-COMBOEV1208

Dimensions



ALL DIMENSIONS IN MILLIMETERS

Product improvement through research and development is a continuous process at DAS Audio. All specifications subject to change without notice.

DAS Audio Group, S.L.
C/. Islas Baleares, 24
46988 Fuente del Jarro
Valencia, SPAIN
Tel. +34 96 134 0860

DAS Audio of America, INC.
6900 NW 52th Street
Miami, FL. 33166 - U.S.A.
TOLL FREE: 1 888 DAS 4 USA

DAS Audio Asia PTE. LTD.
3 Temasek Avenue, Centennial
Tower #34-36
Singapore 039190
Tel. +65 6549 7760

DAS do Brasil LTDA.
Rua Dos Andradas, 382 SL
Santa Efigênia, São Paulo
Brasil. CEP: 01208-000
Tel. +551133330764