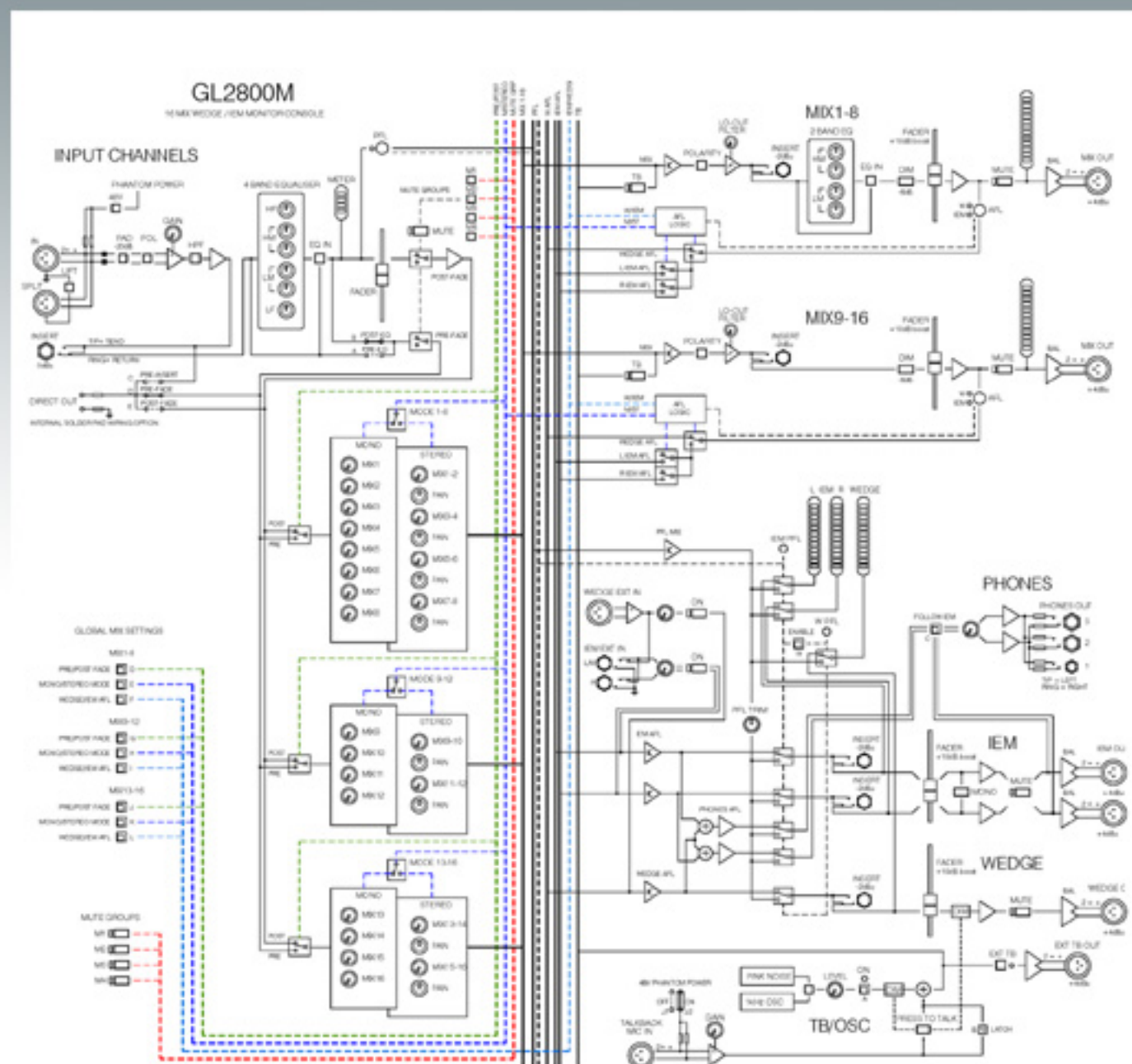


# GL2800M MONITOR MIXER

Block Diagram



# GL2800M MONITOR MIXER



- 16 mixes assignable as mono or stereo
- Built-in mic splitter
- 4 mute groups, true stereo IEM capability
- Dual output engineer's wedge/IEM monitor
- 24, 32, 40 and 48 channel frame sizes



**ALLEN&HEATH**

w: [www.allen-heath.com](http://www.allen-heath.com) | [www.glservices.com](http://www.glservices.com)

e: [sales@allen-heath.com](mailto:sales@allen-heath.com)

t: 01326 372070

AP6779

**ALLEN&HEATH**





# GL2800M MONITOR MIXER

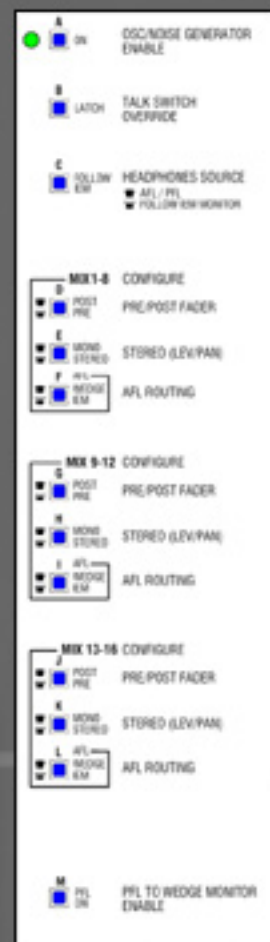
The GL2800M is a brand new dedicated monitor console packed with innovative features. Using the best A&H analogue technology it offers great sound and reliability with an intuitive, walk-up-and-go layout in a space saving, ruggedly built chassis. The monitor application has grown dramatically in recent times with the evolution of multiple wedge and stereo in-ear systems able to quickly exceed the mix capability of all but the most expensive consoles.

With its 16 mixes and true stereo IEM capability, the GL2800M is able to handle many combinations of wedge and in-ears, vital to cater for the demands of today's performing artists. It even includes a built-in mic splitter. The engineer is provided with dual listen wedge/IEM monitoring as well as a host of useful tools for setting up the system, communicating with the performers and FOH, and running the show. The GL2800M is a compact and capable solution for onstage monitoring - and it won't blow the budget.

- 24, 32, 40 and 48 channel frame sizes
- 6 mixes globally assigned as mono or stereo with level and pan
- Built-in mic splitter with ground lift switching
- All masters include polarity switch, swept HPF and 6dB dim function
- Mix 1-8 include 2 band swept frequency output EQ
- Engineer's IEM and wedge monitors with faders, meters, inserts and XLR
- IEM/wedge monitor external inputs for FOH comms and IEM rack monitoring
- Mix AFL assignable to either wedge or IEM monitor
- PAFL logic includes PFL override AFL, mono/stereo AFL, PFL to wedge enable
- Headphones follow IEM mode, includes 1/4" and 3.5mm jacks
- Talkback with independent selection to all mixes and external output
- Talk latch mode for use with switched hand held talkback mic
- Built-in oscillator/ pink noise generator assignable to any mix output
- Built-in dual supply combiner for additional power supply as a backup
- 4 mute groups
- Compact footprint ideal for flight casing and saving space at side of stage
- Solid individual card, nuted pot construction in a no nonsense all steel chassis
- Uses RPS11 linear power supply unit
- Same chassis as GL2800
- The best of analogue - great sound, reliable and easy to use



Console Configuration Options



Master Section

