

ACTION-508A



DESCRIPTION

An unparalleled choice when compact size and weight matter, ACTION-508A is a passive system designed to deliver a highly versatile solution, from fixed installations to the popular portable PA application. And its rotatable horn with 90° x 60° dispersion means the enclosure can be used horizontally in a fixed installation, as a stage monitor or even as front fill.

As part of our company culture, all our systems are developed under a single philosophy: to deliver the highest possible quality in terms of both materials and overall system design. In the ACTION-500 series we use the same birch plywood as our touring systems for a tight, natural warm sound found nowhere else on the market. The series' full range of active tops is complete with two balanced XLR inputs for mic and line, an additional 3.5 mm mini jack input, and a powerCON connection.

The 720 Wpeak Class D amplifier together with a new 8" transducer (8GV) and the MI-34 compression driver (1.5 cm diameter) deliver outstanding efficiency, both in terms of power consumption and audio power (122 dB SPL). The DAScontrol™ interface uses a high-range 24-bit DSP and rear LCD screen to enable the selection of presets, EQ modes, delay, gain control and signal source mix.

KEY FEATURES

- Active biamp system
- Dual-channel 720 Wpeak Class D amplifier
- Birch wood plywood enclosure
- Durable ISO-flex paint
- DAScontrol™ interface for easy setup and adjustment
- DSP with presets and LCD screen

APPLICATIONS

- Live sound reinforcement
- Bands, DJ's and performers
- Speech and vocals
- Music playback in entertainment
- A/V, conferences and presentations

SPECIFICATIONS

Performance

Frequency Range (-10 dB)	65 Hz - 20 kHz
Horizontal Coverage (-6 dB)	90°
Vertical Coverage	60°
Maximum Peak SPL at 1 m	122 dB

Electronics and Connectors

Nominal Amplifier Power (continuous)	360 W
Nominal Amplifier Power (peak)	720 W
Input Type	Balanced
Input Impedance	20 kohms
Input Sensitivity	1.95 V (+8 dBu)
Audio Signal Input Connector	2 x Female XLR
AUX Input	1 x 3.5 mm Mini Jack
Audio Signal Loop Thru Connector	1 x Male XLR
Control	DAScontrol™
AC Input Connector	powerCON NAC3MPA
Operating Range	90-127/180-250 VAC
Current Draw 115 V	1.6 A
Current Draw 230 V	0.8 A

Enclosure

Enclosure Construction	Birch Plywood
Enclosure Geometry	Trapezoidal

ACTION-508A

Rigging	M8 Rigging Points
Finish	ISO-flex Paint
Color	Black
Dimensions (H x W x D)	485 x 285 x 260 mm 19,1 x 11,2 x 10,2 in
Net Weight	11,9 kg (26,2 lb)

Components

LF Driver	8GV
HF Driver	M-34
Horn/Waveguide	BCT-96

Shipping

Carton Dimensions (H x W x D)	547 x 335 x 307 mm 21,5 x 13,2 x 12,1 in
Shipping Weight	13,4 kg (29,5 lb)

ORDERING INFORMATION

Performance

Model	Description	P/N
-------	-------------	-----

System

ACTION-508A	2-way Powered Point Source	10427241
-------------	----------------------------	----------

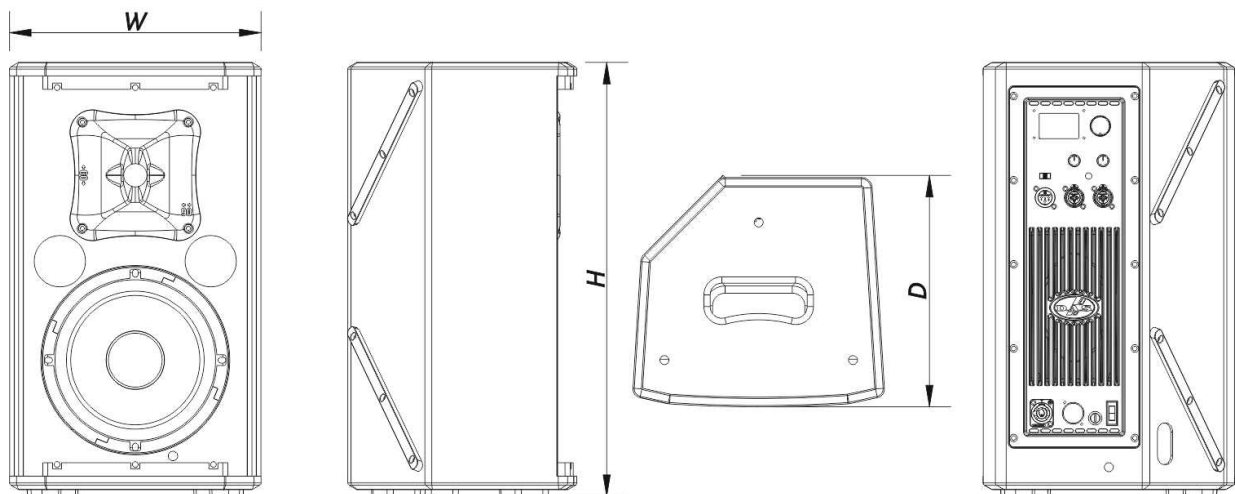
Replacement Parts

8GV	Cone Transducer	20208984
BCT-96	Horn	30006201
DSP-ACTION-508A	Dsp	20406591
GM-M34	Diaphragm	20205060
M-34	Compression Driver	10207080
MP-ACT508A	Power Module	20406581

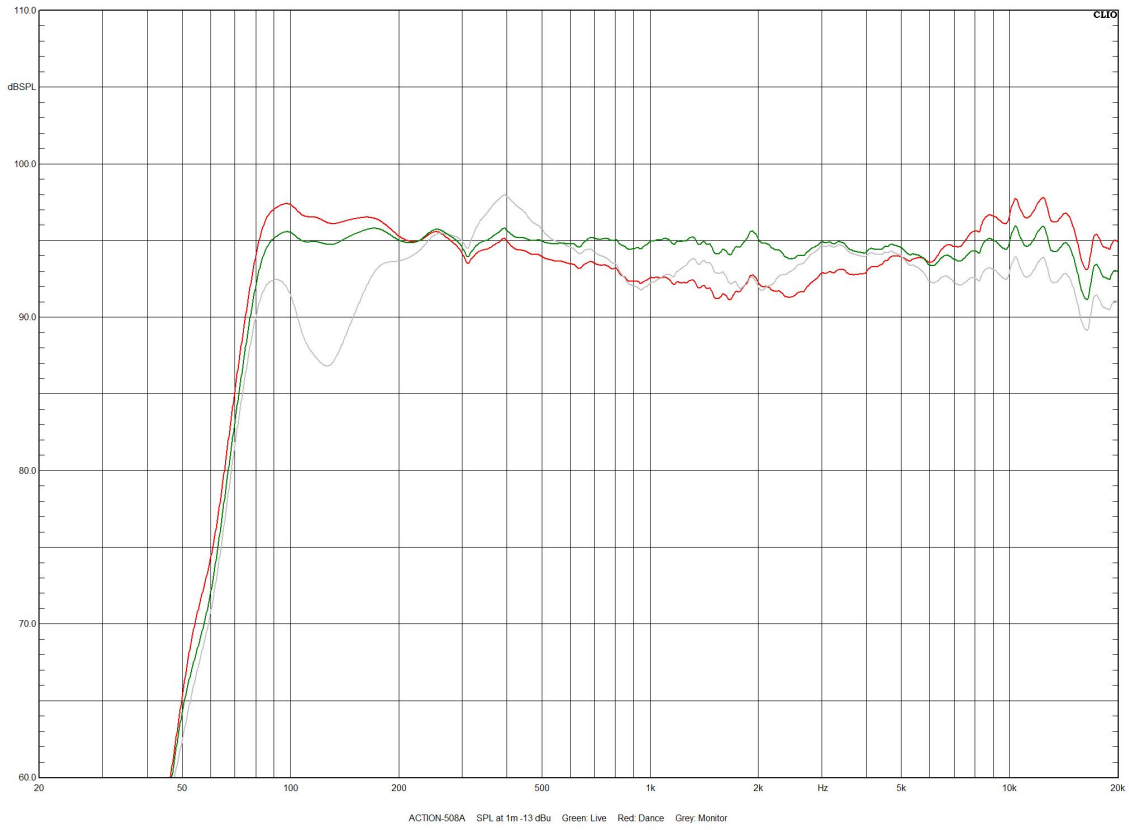
Accessories

ANL-1	Installation & Stacking Acc.	10101010
ANL-1	Rigging Accessories	10101010
AX-SPG1	Installation & Stacking Acc.	10105050
AXC-AT	Installation & Stacking Acc.	10104310
AXU-ACT8	Installation & Stacking Acc.	10104600
FUN-ACT8	Transport Accessories	10103580
TRD-2	Installation & Stacking Acc.	10104010
TRD-6	Installation & Stacking Acc.	10104470
TRD-7	Installation & Stacking Acc.	10104471

DIMENSIONS

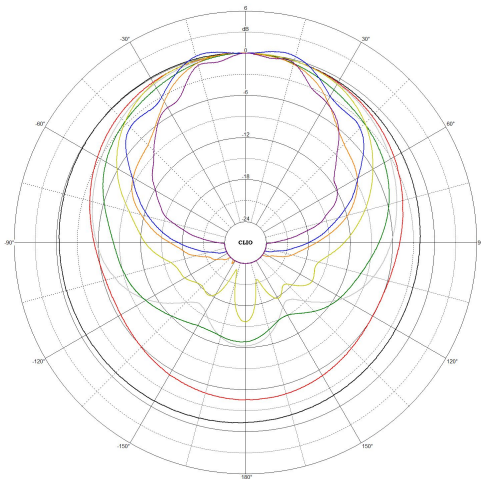


PERFORMANCE DATA



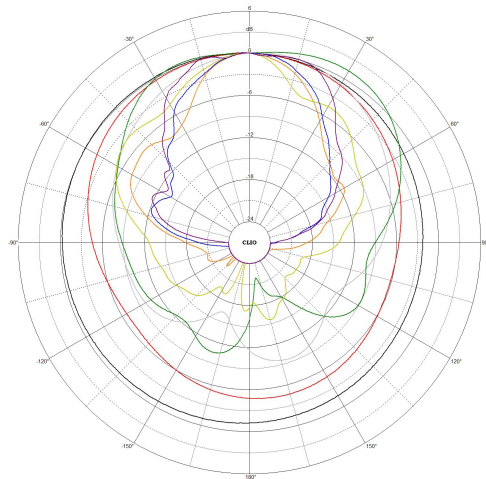
Frequency response

150Hz
100Hz
50Hz
20Hz



Horizontal polar data

150Hz
100Hz
50Hz
20Hz



Vertical polar data

