

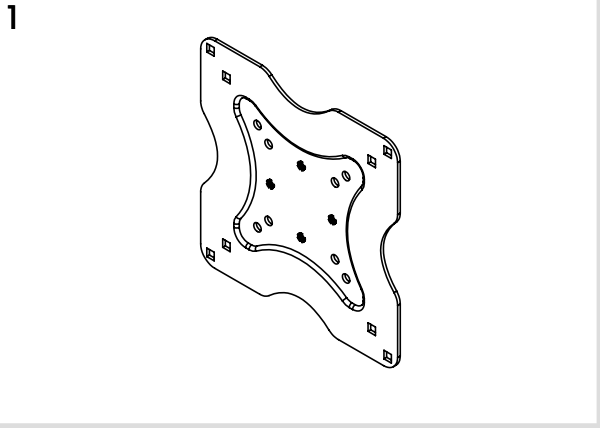
LED/LCD DISPLAY CLAMP MOUNT

GFW-AVLCD-VESA

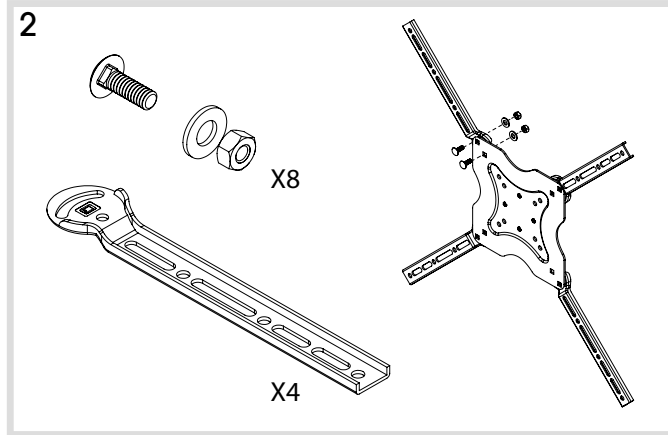
GATOR
frameworks

COPYRIGHT GATOR CO. - ALL RIGHTS RESERVED - 05.03.2019 - REV:A

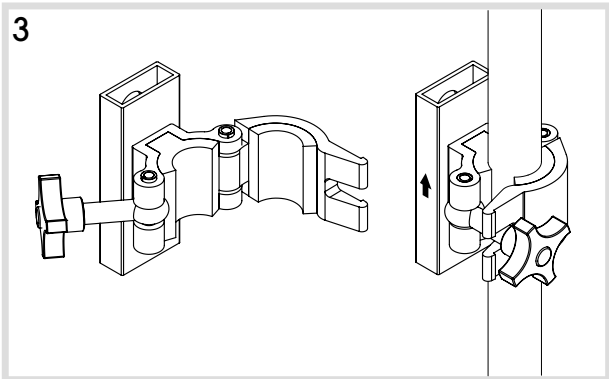
Instructions



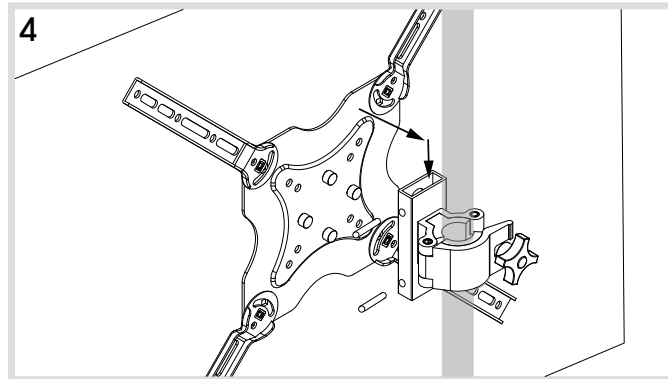
1 Attach The VESA mount to your display with the provided hardware. (Fits 200x200 as shown.)



2 If the VESA pattern on your display is greater than 200mm x 200mm then install the VESA mount arms with the hardware pictured above.

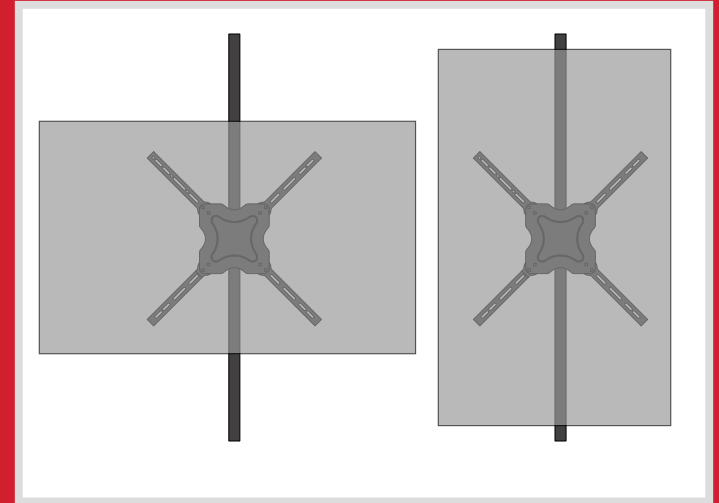


3 Attach the pole mount to a 35mm-38mm diameter pole, and hand tighten until secure. (Arrow points up)



4 Attach the display with VESA mount to the pole mount by aligning the keyhole studs with the key holes on the pole mount then insert safety pins.

Specifications



- Displays can be mounted in either portrait or landscape orientation
- Insert provided safety pins into the pole mount when in use

**55 LB
MAX**

**55 IN
MAX**