

# EDX

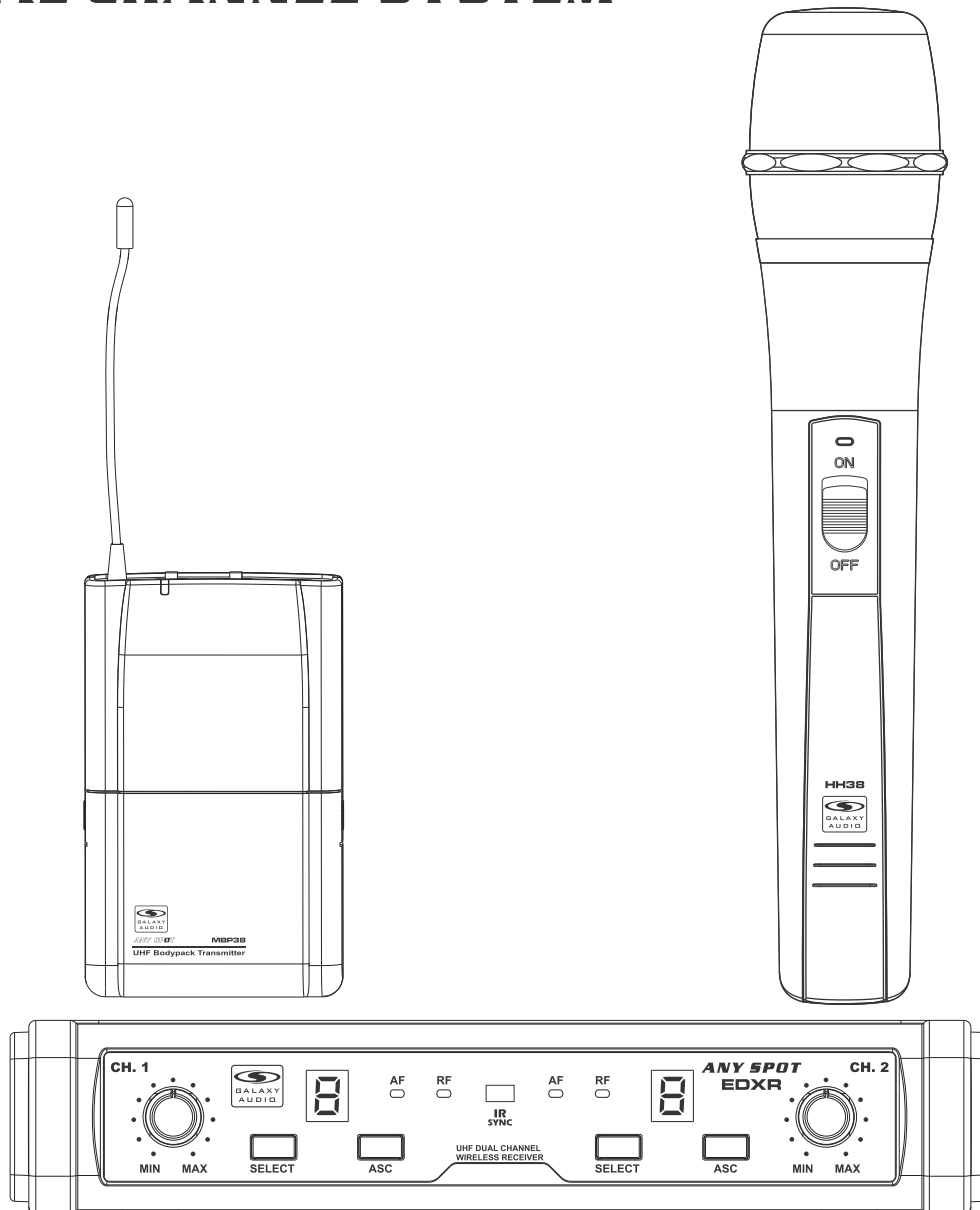
# UHF



## USER'S MANUAL

# ANY SPOT<sup>®</sup>

## WIRELESS MICROPHONE SYSTEM DUAL CHANNEL SYSTEM



MAKERS OF THE ORIGINAL  
HOT SPOT PERSONAL MONITOR

(This page is intentionally left blank)



System Components .....	1
Functions of the EDXR Receiver .....	2
HH38 Handheld Transmitter .....	3
MBP38 Body Pack Transmitter .....	4
Tips for Improving System Performance .....	5
Frequency .....	6
Specifications .....	7

## ! IMPORTANT SAFETY INSTRUCTIONS !

1. READ these instructions.
2. KEEP these instructions.
3. HEED all warnings.
4. FOLLOW all instructions.
5. DO NOT use this apparatus near water.
6. CLEAN ONLY with dry cloth.
7. DO NOT block any ventilation openings. Install in accordance with the manufacturer's instructions.
8. DO NOT install near any heat sources such as radiators, heat registers, stoves, or other apparatus (including amplifiers) that produce heat.
9. DO NOT defeat the safety purpose of the polarized or grounding-type plug. A polarized plug has two blades with one wider than the other. A grounding type plug has two blades and a third grounding prong. The wider blade or the third prong are provided for your safety. If the provided plug does not fit into your outlet, consult an electrician for replacement of the obsolete outlet.
10. PROTECT the power cord from being walked on or pinched, particularly at plugs, convenience receptacles, and the point where they exit from the apparatus.
11. ONLY USE attachments/accessories specified by the manufacturer.
12. UNPLUG this apparatus during lightning storms or when unused for long periods of time.
13. REFER all servicing to qualified service personnel. Servicing is required when the apparatus has been damaged in any way, such as power-supply cord or plug is damaged, liquid has been spilled or objects have fallen into the apparatus, the apparatus has been exposed to rain or moisture, does not operate normally, or has been dropped.
14. DO NOT expose the apparatus to dripping and splashing. DO NOT put objects filled with liquids, such as vases, on the apparatus.
15. Remove the batteries from the receiver if the system will not be used for a long period of time. This will avoid any damage resulting from a defective, leaking battery.
16. DO NOT throw used batteries into a fire. Be sure to dispose of or recycle used batteries in accordance with local waste disposal laws.

## LICENSING INFORMATION

THIS RADIO EQUIPMENT IS INTENDED FOR USE IN PROFESSIONAL ENTERTAINMENT AND SIMILAR APPLICATIONS.

Changes or modifications not expressly approved by Galaxy Audio Incorporated could void your authority to operate the equipment.

Licensing of Galaxy Audio wireless microphone equipment is the user's responsibility, and licensability depends on the user's classification and application, and on the selected frequency.

Galaxy Audio strongly urges the user to contact the appropriate telecommunications authority concerning proper licensing, and before choosing and ordering frequencies.

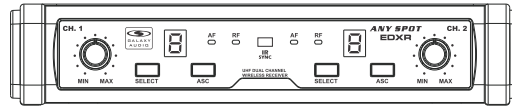
**NOTE: THIS EQUIPMENT MAY BE CAPABLE OF OPERATING ON SOME FREQUENCIES NOT AUTHORIZED IN YOUR REGION. PLEASE CONTACT YOUR NATIONAL AUTHORITY TO OBTAIN INFORMATION ON AUTHORIZED FREQUENCIES FOR WIRELESS MICROPHONE PRODUCTS IN YOUR REGION**

**Licensing:** Note that a ministerial license to operate this equipment may be required in certain areas. Consult your national authority for possible requirements.

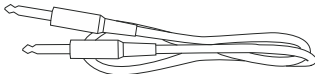
# System Components

All EDX systems include the following components:

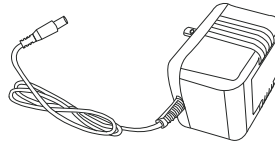
- EDX Receiver
- 1/4" to 1/4" Audio Cable
- Power Adapter
- Quickstart Guide



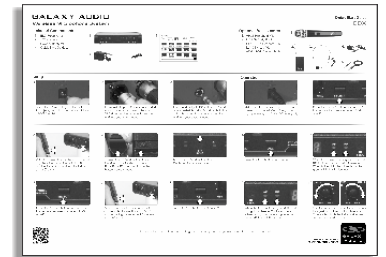
**EDXR**



**1/4" to 1/4"  
Audio Cable**



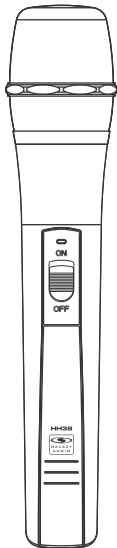
**PS-13.5-.35.5  
Power  
Adaptor**



**Quick Start Guide**

Handheld Microphone Systems include the following:

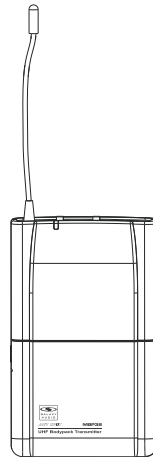
- HH38 Handheld Transmitter



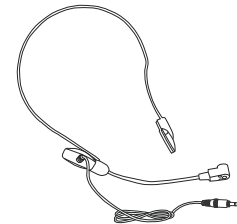
**HH38**

Headset, Lavalier, & Guitar systems include the following:

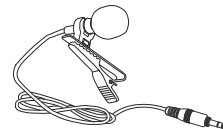
- MBP38 Bodypack Transmitter
- Microphone (choice of Headset, Lavalier, or Guitar Cable)



**MBP38**



**HS13-UBK**

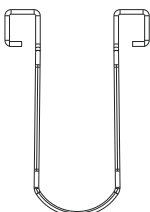


**LV13-UBK**

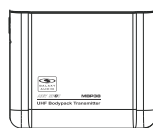


**AS-GTRVE**

**Replacement parts can be purchased  
at [www.GalaxyAudio.com](http://www.GalaxyAudio.com)**



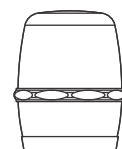
**CLIPMBP38**  
Belt Clip  
for MBP38



**BATTCVRMBP38**  
Battery Cover  
for MBP38



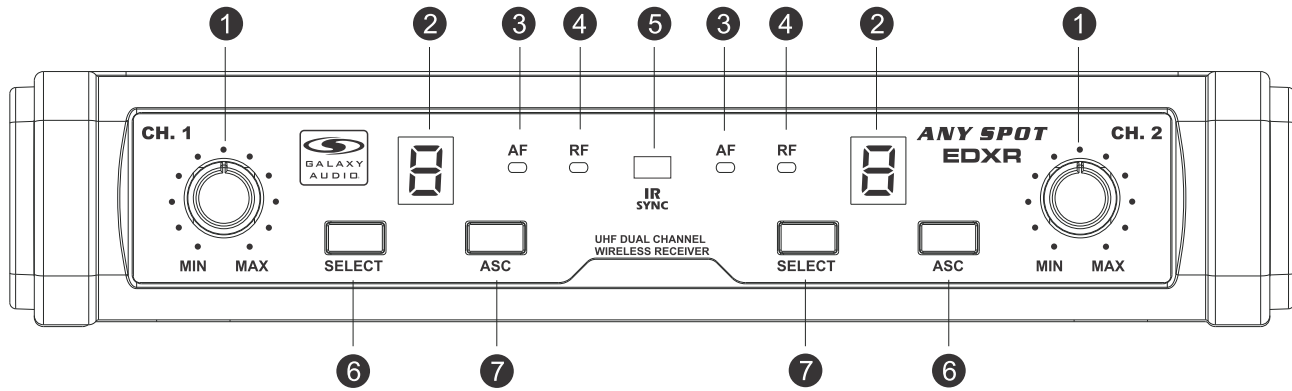
**BATTCVRHH38**  
Battery Cover  
for HH38



**WS-GR38**  
Mesh Grill Cover  
for HH38

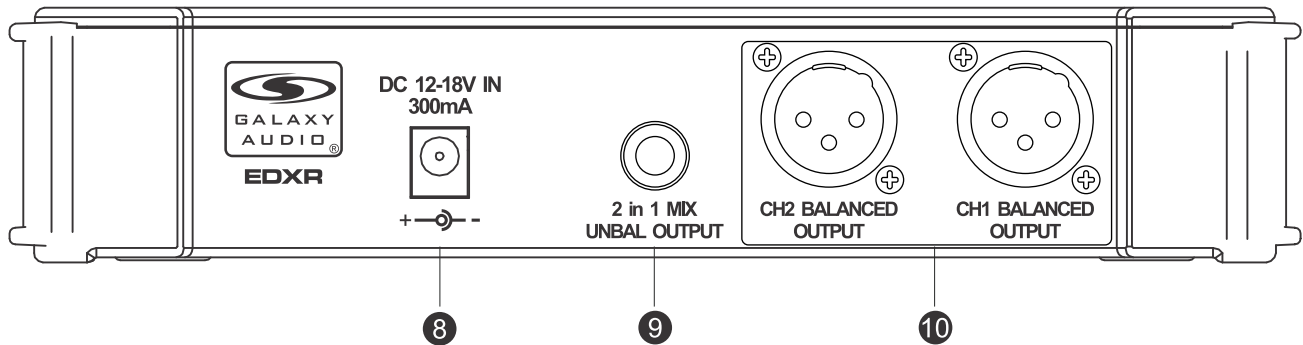
# Functions of the EDXR Receiver

## Front Panel



- ① Audio Output Level Control
- ② Channel display
- ③ AF Signal LED
- ④ RF signal LED
- ⑤ Infrared IR Window
- ⑥ Channel select button
- ⑦ Automatic Synchronization Control (ASC) button

## Rear Panel



- ⑧ Power Adapter Jack.
- ⑨ 1/4" Audio Output (mixed).
- ⑩ Two Male XLR Audio Outputs

## System Setup



### Receiver Programming

**Channel Selection:** Press the ⑥ "SELECT" button to increase the ② channel number by one (0-9, then A-F).\* Press the ⑦ ASC button, and the Channel Display will begin to flash. Hold the transmitter's (HH38 or MBP38) IR window towards and in close proximity about 6" away to the EDX receiver's ⑤ IR window. The EDX receiver's ④ RF Signal LED will light once synchronization has been established. Only one IR connection can be established at a time during each syncing process.

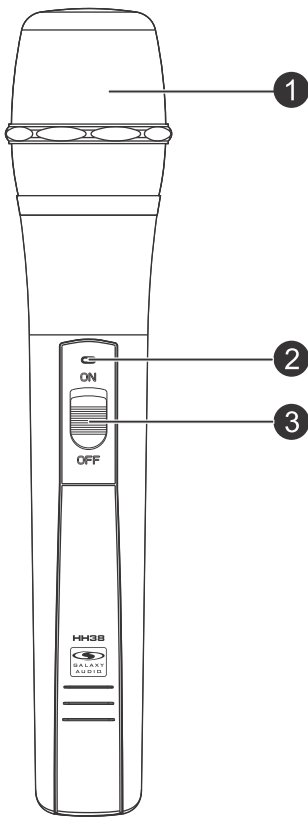
**\*Note:** If the RF light on the receiver is on when the transmitter is off, change to another channel.

### Receiver volume control:

Rotate the audio output level control knob to the left to reduce the output level, rotate to the right to increase the output level.

# HH38 Handheld Transmitter

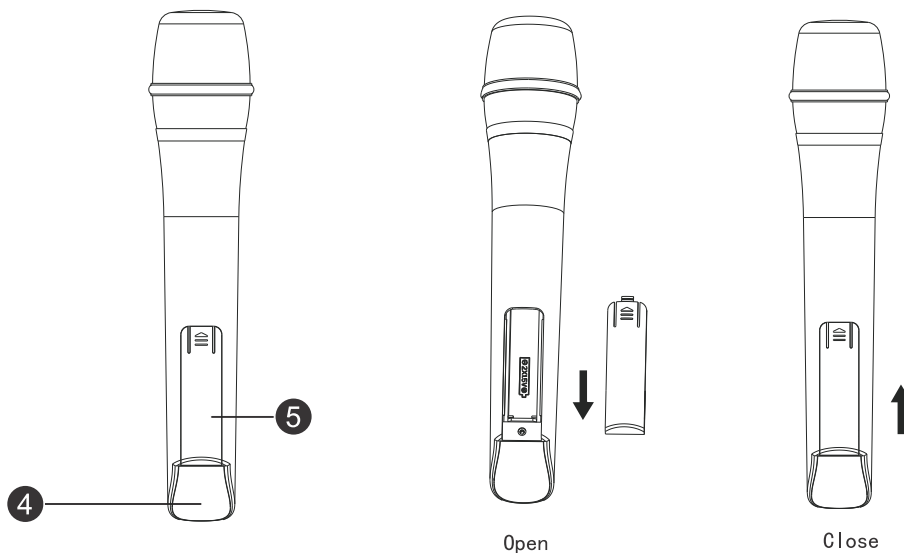
## Functions:



- 1 Microphone Head.
- 2 Power LED and LOW battery indicator (red = Low battery)
- 3 Power Switch
- 4 Infrared receiver (IR) window
- 5 Battery cover

## Changing Batteries:

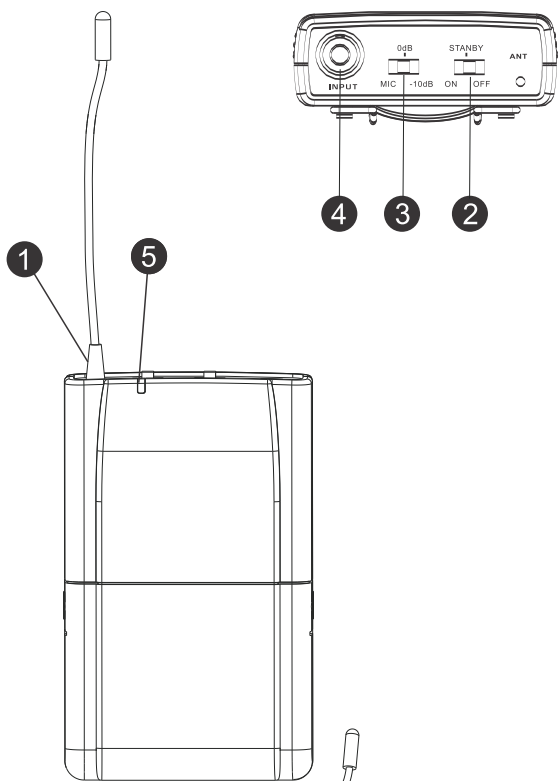
Expected life for two alkaline batteries is about 8 hours. If the power LED (green) turns red then the batteries are low and should be changed immediately (as shown below).



## Handheld Transmitter Setup:

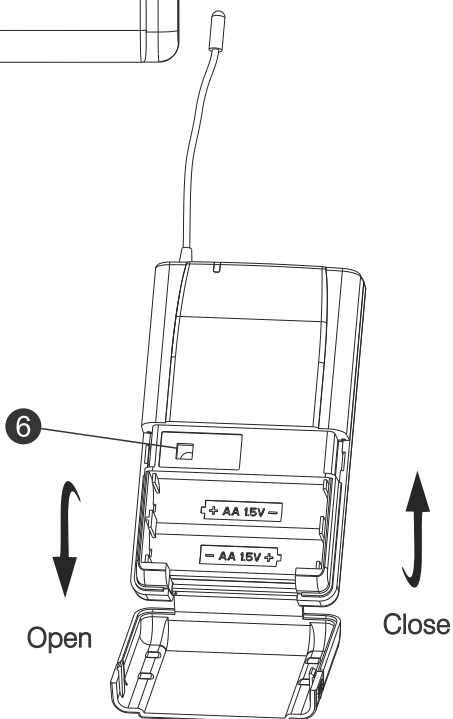
The HH38 will need to be powered off and on again during the syncing process in order to properly sync. An amber power light on the HH38 indicates that it is ready to receive the IR signal from the receiver.

# MBP38 Bodypack Transmitter



## Functions:

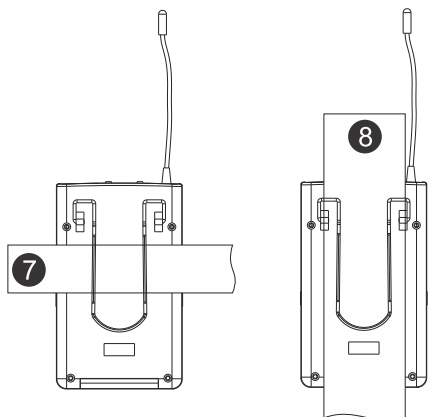
- 1 Antenna.
- 2 On/Off/Mute switch
- 3 Gain adjustment switch  
Three gain settings are available on the Body Pack Transmitter. (choose the appropriate setting)  
Mic: microphone  
0: Guitar with passive pickups  
-10dB: Guitar with active pickups
- 4 Microphone Input Jack
- 5 Power/Low battery indicator light. If the Power light glows a constant red, the batteries should be changed immediately.
- 6 Infrared receiver (IR) window.



## Battery Replacement:

When the transmitter light glows red, the batteries should be changed immediately, as shown on the left. Open the Battery Door as shown. Install Batteries while observing correct polarity markings.

The life expectancy of two alkaline batteries is about 8 hours.



## Wearing the Bodypack Transmitter:

Clip the transmitter to belt (7), or slide a guitar strap through the transmitter clip (8), as shown. For best results, slide the transmitter until the belt is pressed against the base of the clip.

# Tips for Improving System Performance

- Maintain a line of sight between transmitter and antenna.
- Avoid placing the receiver near metal surfaces or any digital equipment (CD players, computers, etc)
- Keep the receiver away from the wall and over 3ft. from the ground
- Cellular telephones, two-way radios and other RF sources can interfere with the transmitting frequencies. Maintain the greatest distance possible from the interfering equipment to minimize interference.

## Trouble Shooting

Issue	Indicator Status	Solution
No sound or faint sound	Not Transmitting	Turn on transmitter, Make sure the +/- indicator on the batteries match the transmitter terminals
	Not Receiving	Make sure the AC adapter is securely plugged into electrical outlet and into DC input connector on rear panel of receiver.
	Receiver RF indicator glows	Turn up the receiver's Audio Output level Control up, adjust the Gain switch on the transmitter, Check the power connection of the receiver and amplifier or mixer
	Receiver RF indicator off, transmitter on	Move the receiver away from metal objects, Check whether there is an obstruction between receiver and transmitter, Move the transmitter near the receiver, Re-Sync receiver and transmitter to the same frequency
	The battery power indicator light flashes or turns RED	Change the batteries the in transmitter
Distortion or unwanted noise bursts	Receiver display indicates RF/AF	Remove nearby sources of RF interference (CD players, computers, digital effects, in-ear monitor systems, etc.)
Distortion level increases gradually	Transmitter power indicator light flashing	Replace transmitter batteries
Sound level different from cabled guitar or microphone, or when using different guitars		Adjust transmitter gain and receiver volume as necessary



## EDX Frequency Chart

### EDX D CODE

1	584.400
2	587.500
3	589.575
4	591.050
5	593.425
6	595.200
7	598.450
8	599.650
9	601.275
0	603.775
A	605.500
b	606.750
C	586.025
d	590.525
E	594.150
F	602.450

### EDX N CODE

1	518.625
2	519.900
3	520.525
4	521.950
5	523.700
6	524.575
7	526.075
8	531.200
9	531.950
0	534.025
A	535.250
b	537.200
C	538.200
d	539.650
E	540.075
F	541.475

EDX  
Frequency Chart



<https://www.galaxyaudio.com/assets/uploads/media/MasterFrequency.pdf>

GALAXY AUDIO  
Frequency Page



<http://www.galaxyaudio.com/support/schematics-and-frequency-charts>

## DTV Frequency Ranges & FCC Consumer Alert

### Wireless Tips

Maintain line of sight between the transmitter and receiver antennas.

Do not have walls, metal objects, large crowds, etc. blocking the line of sight between the transmitter and receiver.

Antennas on the stationary equipment should be kept several feet above the ground.

Antennas can be mounted on stands or walls using brackets such as the ANT-LB.

On body pack receivers/transmitters, avoid putting them in your pocket, and/or folding the antenna under the pack. The antenna should hang freely and openly.

Keep the distance between transmitters and receivers as short as possible.

If distances above 20-30' are unavoidable, directional antennas such as the ANT-PDL can improve reception by rejecting signals outside their pickup angle.

Find out what TV stations are broadcasting in your area and avoid the channels they are on.

This information is available from many sources on line, such as [www.tvfool.com](http://www.tvfool.com).

If your receiver is showing that it is receiving RF when your transmitter is turned off, you need to move to another frequency.

If you are using several systems, you can contact [service@galaxyaudio.com](mailto:service@galaxyaudio.com) for assistance in frequency coordination.

Make certain you are using fresh batteries, rechargeable batteries may be used, but they discharge at a much faster rate than alkaline.

The frequencies of the Galaxy UHF Wireless Systems are on frequencies that are used by Digital Television stations.

To be assured of the best performance, you should determine on what RF channels the DTV stations in your area are broadcasting, then set your wireless systems on frequencies that are not being used.

You can find that information on this FCC web site. <https://www.fcc.gov/media/engineering/dtvmaps>

Enter the zip code of the location where the wireless system will be used into the location search bar. A list of stations in that area will be listed. Click on the call sign of the stations and the details will appear, showing you the RF channel the TV station is using. Compare these with the chart to the left, and using the Galaxy frequency charts on page 16, find a frequency that is not on an active DTV RF channel.

For example, if you have an L-Band EDXR and your location has DTV stations on RF channels 45 and 48, you will want to set your EDXR on a frequency that is on RF channel 46 or 47.

### FCC Consumer Alert for Wireless Microphones (U.S.)

Most users do not need a license to operate this wireless microphone system. Nevertheless, operating this microphone system without a license is subject to certain restrictions: the system may not cause harmful interference; it must operate at a low power level (not in excess of 50 milliwatts); and it has no protection from interference received from any other device. Purchasers should also be aware that the FCC is currently evaluating use of wireless microphone systems, and these rules are subject to change.

For more information, call the FCC at 1-888-CALL-FCC (TTY: 1-888-TELL-FCC) or visit the FCC's wireless microphone website at [www.fcc.gov/cgb/wirelessmicrophones](http://www.fcc.gov/cgb/wirelessmicrophones)

DTV RF Channel	Frequency Range
14	470-476
15	476-482
16	482-488
17	488-494
18	494-500
19	500-506
20	506-512
21	512-518
22	518-524
23	524-530
24	530-536
25	536-542
26	542-548
27	548-554
28	554-560
29	560-566
30	566-572
31	572-578
32	578-584
33	584-590
34	590-596
35	596-602
36	602-608
37	608-614
38	614-620
39	620-626
40	626-632
41	632-638
42	638-644
43	644-650
44	650-656
45	656-662
46	662-668
47	668-674
48	674-680
49	680-686
50	686-692
51	692-698

# Specifications

## System:

**Available Channels:** 16

**Frequency Range:** CODE D 584~607 MHz  
CODE N 518~542MHz

**Transmitter Output level:** 10 dBm

**Band:** UHF

**Operating Range Under Typical Conditions:** 200' (61m)

Note: actual range depends on RF signal absorption, reflection, and interference.

**Audio Frequency Response: (+/-3dB)** 60Hz~16kHz

**Total Harmonic Distortion (+/-30kHz deviation, 1kHz tone):** <1%

**Dynamic Range:** >90dB A-weighted

**Operating Temperature Range:** 14°F to 122°F (-10° C to +50° C)

Note: battery characteristics may limit this range

## Receiver:

**Audio Output Level: (+/-30KHz deviation, 1KHz tone)**

XLR Connector (into 600  $\Omega$  load) -12 dBV

1/4" Connector (into 3k  $\Omega$  load) -18dBV

**Output Impedance:** XLR Connector 200  $\Omega$   
1/4" Connector 1k  $\Omega$

**Sensitivity:** -92dBm

**Image Rejection:** >92dB

**Dimensions:** 1.7" x 8.3" x 6.3" (42 x 210 x 116 mm) (HxWxD)

**Weight:** 12 oz (340 g)

**Power Requirements:** 12-18 V dc at 300mA, supplied by external power supply.

## Body Pack Transmitter:

**Audio Input Level:** 0 dBV to +20dBV

**Gain Adjust:** Mic / 0 dB / -10 dB

**RF Output:** 10 mW

**Input Impedance:** 5k $\Omega$

**Dimensions:** 3.3" x 2.6" x 1" (85 x 65 x 23 mm) (HxWxD)

**Weight:** 2.8 oz (80 g) (without batteries)

**Power Requirements:** 2 AA Batteries, alkaline or rechargeable batteries

**Battery Life:** About 8 hours

## Handheld Transmitter:

**Max Audio input level:** 0dBV

**Gain Adjust:** Trim pot

**RF Output:** 10 mW

**Frequency Response:** 70 Hz - 10 kHz

**Dimensions:** 10.8" x 1.9" (275 x 47 mm) (LxDia.)

**Weight:** 6.9 oz (195 g) (without batteries)

**Power Requirements:** 2 AA Batteries, alkaline or rechargeable batteries

**Battery Life:** About 8 hours

(This page is intentionally left blank)





MAKERS OF THE ORIGINAL  
HOT SPOT PERSONAL MONITOR



[www.galaxyaudio.com](http://www.galaxyaudio.com)

## ***THREE YEAR LIMITED WARRANTY***

**WARRANTY** Information can be viewed online at  
<https://www.galaxyaudio.com/support/warranty>



[www.galaxyaudio.com/support/warranty](https://www.galaxyaudio.com/support/warranty)

## **EDX USER'S MANUAL**

Specifications in this manual are subject to change without notice.  
For the most up to date manual and information  
visit [www.galaxyaudio.com](http://www.galaxyaudio.com).

1-800-369-7768    [www.galaxyaudio.com](http://www.galaxyaudio.com)

© Copyright Galaxy Audio 2019