



ARCHITECTURAL & ENGINEERING SPECIFICATIONS

The unit shall provide full functionality of an RTS matrix keypad via a DTMF telephone line interface. The unit shall be compatible with telephone systems world wide. The unit shall be capable of manual and auto answer with user selectable security and password. It shall provide a dial out capability from other keypanels. The unit shall occupy a 1U tall by 1/2 wide rack space. It shall be capable of being mounted in a standard equipment rack via optional mounting kits. It shall provide a means via the front panel for setting audio levels for both the telephone line and the matrix connections. It shall provide a means for upgrading its internal firmware via a download from the system.

The unit shall be called the TIF 2000.

DESCRIPTION

The TIF 2000 is a single line digital telephone interface designed to be compatible with ADAM, ADAM CS, ZEUS, and CS 9000 series intercom systems. It provides bi-directional communication between the intercom matrix and a standard DTMF capable telephone line. It allows the phone to access all crosspoints of the matrix, as well as dynamic party lines, IFB circuits, and other forms of communications. The 1U high by 1/2 wide rack mountable (via an optional kit) TIF 2000 provides a transparent link to the telephone system enabling full dial-out capability from any designated keypad with keypad. Since the TIF 2000 appears to the matrix as any other keypad would, the only limitation on the number of units in the system is the same as for other keypanels.

FEATURES

Keypanel

- Dial from Intercom panel keypad
- Multiple panels can access the same line
- Line in-use tally
- Line ringing tally
- Selected panels may produce audible ring
- Panels may disconnect lines
- Unlimited number of phone interfaces
- Unlimited access to phone interfaces
- DTMF echo allows dialer to hear tones
- Visual display of number dialed
- Lines can be put on hold
- Lines can be manually disconnected

TIF 2000

- Auto or manual answer
- Select security code or none
- Select number of rings before answer
- Caller can be locked to one matrix point
- Up to 16 panels may be selected to ring
- Call in directly to party line or IFB
- Caller may select up to seven T/L assignments
- Caller may change presets
- Auto disconnect
- Direct audio input mixes w/ matrix audio
- Levels can be adjusted for intercom and phone
- Downloadable telephone system configuration

APPLICATIONS

- Simplex or full duplex IFB
- Remote IFB.
- Remote PL from ENG/SNG
- Remote studio tie-in
- Remote diagnostics
- Aerospace multi-system link
- Sports venue multiple PL tie-in
- Olympic or concurrent sports IFB

PLEASE CONTACT US

Telex Communications, Inc.
12000 Portland Avenue South
Burnsville, MN 55337 U.S.A.

Tel: (952) 884-4051
Fax: (952) 884-0043

SPECIFICATIONS

Matrix Input/Output:

0 dBu to +20 dBu

Telephone Input/Output:

-30 dBu to +6 dBu

Noise (200 Hz to 3.8 kHz):

-40 dBu or less

Harmonic Distortion

(300 Hz to 3.8 kHz):

Intercom Side: -30 dBu or less

Telephone Side: -25 dBu or less

Frequency Response:

300 Hz to 3.8 kHz +0 dB, -6 dB

Matrix Connectors:

DB-9 Female

RJ-11 Female

Telephone Line Connector:

RJ-11

Telephone Loop-Thru Connector:

RJ-11

Power Requirements:

100-240VAC, 50/60Hz, 1A

Environmental:

Operating Temperature:

0°C to 50°C

Storage Temperature:

-20°C to 75°C

Humidity (Operating & Storage):

0 to 95%, non-condensing

Dimensions:

1.72" (44mm) high

8.19" (208 mm) wide

8" (203 mm) deep

Weight:

4.4 lbs. (2.0 kg)

Finish:

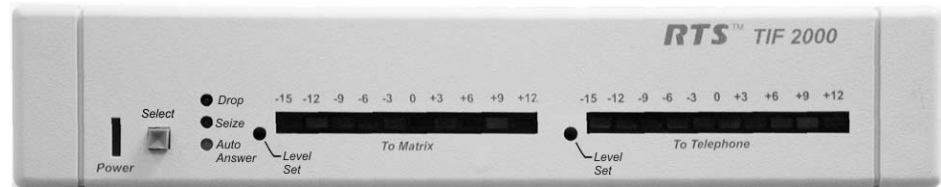
Thermoplastic front panel,
aluminum case, light gray finish

Approvals:

CE, UL, FCC

SPECIFICATIONS SUBJECT TO CHANGE WITHOUT NOTICE

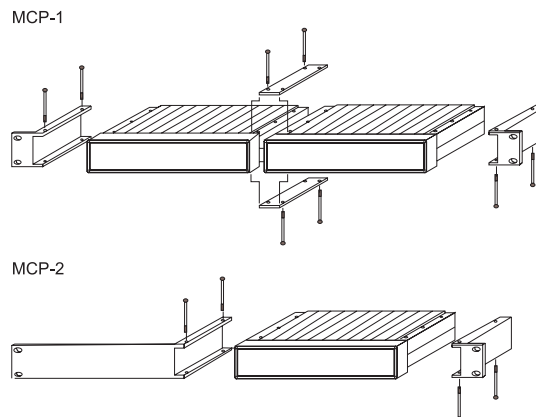
FRONT PANEL FEATURES



REAR PANEL FEATURES



OPTIONAL MOUNTING KITS



ORDERING INFORMATION

Item	Part Number	Description
TIF 2000	9000-7674-000	Digital hybrid telephone line interface.
MCP-1	9002-657500	Dual rack mount kit.
MCP-2	9002-657600	Single rack mount kit.

WARRANTY

RTS™ products are warranted by Telex Communications, Inc. to be free from defects in materials and workmanship for a period of three years from the date of sale.

The sole obligation of Telex during the warranty period is to provide, without charge, parts and labor necessary to remedy covered defects appearing in products returned prepaid to Telex. This warranty does not cover any defect, malfunction or failure caused beyond the control of Telex, including unreasonable or negligent operation, abuse, accident, failure to follow instructions in the manual, defective or improper associated equipment, attempts at modification and repair not authorized by Telex, and shipping damage. Products with their serial numbers removed or effaced are not covered by this warranty.

This warranty is the sole and exclusive express warranty given with respect to RTS products. It is the responsibility of the user to determine before purchase that this product is suitable for the user's intended purpose.

ANY AND ALL IMPLIED WARRANTIES, INCLUDING THE IMPLIED WARRANTY OF MERCHANTABILITY ARE LIMITED TO THE DURATION OF THIS EXPRESS LIMITED WARRANTY.

NEITHER TELEX NOR THE DEALER WHO SELLS TELEX PRODUCTS IS LIABLE FOR INCIDENTAL OR CONSEQUENTIAL DAMAGES OF ANY KIND.