

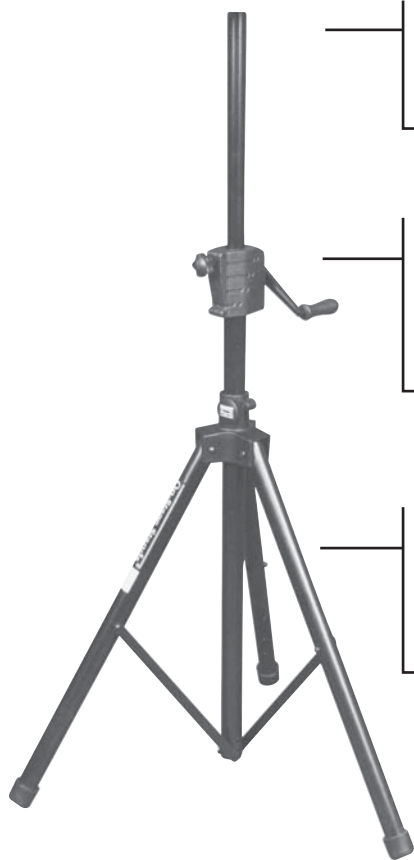
SS8800B+

POWER Crank-Up Speaker Stand

SPEAKER STANDS

FEATURES AND BENEFITS

By far the easiest method of raising speaker cabinets 80" off the floor. The easy-to-use power crank-up height adjustment system operates with either the removable manual handle or any standard electric or cordless drill. The upper shaft is constructed from extruded aluminum and the gear teeth are milled into the shaft, making it the most affordable solution on the market to cranking up speaker cabinets.



1 3/8" upper shaft with a 1 1/2" adapter sleeve included for a universal fit.

The Power Crank-Up design provides the fastest, easiest and safest raising and lowering of speaker cabinets

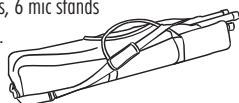
Locking/Retractable leg housing with 120° design for low center of gravity and equal weight distribution.

Ask about our speaker stand accessories ...

SSB-6500

Heavy-Duty Speaker Stand Bag

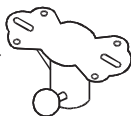
Rugged, padded nylon bag provides ample room for either 2 speaker stands, 6 mic stands or various drum hardware.



EB9760B

Exterior Mounting Bracket

Fits on 1 3/8" stand and mounts to any speaker cabinet.



**CRANK-UP
Your Sales!**



Raise or lower your speaker cabinets with ease using either the removable manual handle on this stand or a power drill. (Power drill not included)

PRODUCT SPECIFICATIONS

- > **Applications:** Small Speaker Cabinets
- > **Upper Shaft Tubing:** 1 3/8" or 1 1/2" with included adapter sleeve.
- > **Weight Capacity:** 80 lbs.
- > **Height Adj.:** 47"-80"
- > **Base Spread:** 32"-48"
- > **Color:** Black Powder Coat Finish

Model#: **SS8800B+**
List Price: **\$164.00**

Call The Music People today to place your order

1-800-289-8889

Visit us on the web @ www.musicpeopleinc.com or www.onstagestands.com

On-Stage Stands® is a registered trademark of The Music People Inc. Prices and Specifications subject to change.

On-Stage Stands®