

# KS7150

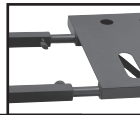
## Platform-Style Keyboard Stand

KEYBOARD STANDS

### FEATURES AND BENEFITS

An extremely strong stand! This fully adjustable model is a great choice for musicians who need support for large keyboards, heavy vintage electric pianos or DJ gear. The KSA7500 Universal 2nd Tier can be attached making this a 2-tier stand!

Telescoping platform adds versatility and adjusts from 29"-43.5".



Support bars and hinge add extra support and allow legs to fold under.



*The 1st platform keyboard stand that folds flat!*

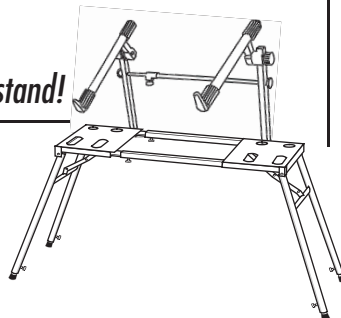
Height adjusts w/ friction locking knobs with easy line-it-up positions.

Non-slip rubber end caps.

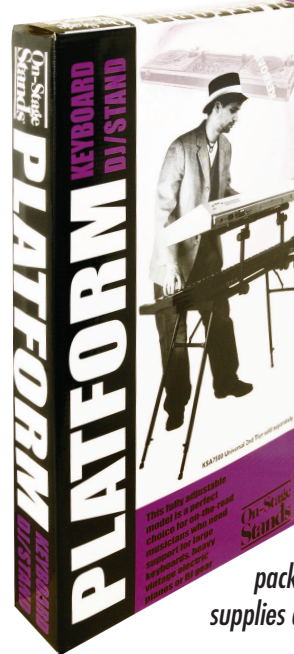
*Ask about our Universal 2nd Tier and make this platform stand a 2-tier stand!*

**KSA7500**  
Universal 2nd Tier

With its universal mounting attachment, this tilting tier should be everyone's first choice for adding multiple keyboards to any X and Z-style keyboard stand.



**COLOR Packaging**



*Our award-winning packaging is eye-catching and supplies all of the product features!*

### PRODUCT SPECIFICATIONS

- > **Applications:** Large-format keyboard, mixer and DJ
- > **Weight Capacity:** 230 lbs.
- > **Height Adj.:** 26"-43"
- > **Width Adj.:** 29"-43.5"
- > **Depth:** 12.5"
- > **Folded Dimension:** 12.625" x 3.5" x 29"
- > **Construction:** Welded and bolted

Model#: **KS7150**  
List Price: **\$119.00**

Call The Music People today to place your order

# 1-800-289-8889

Visit us on the web @ [www.musicpeopleinc.com](http://www.musicpeopleinc.com) or [www.onstagestands.com](http://www.onstagestands.com)

On-Stage Stands® is a registered trademark of The Music People Inc. Prices and Specifications subject to change.

# On-Stage Stands®