



Important safety and mounting instructions

EN

- Read and follow the safety and mounting instructions, keep these instructions easily accessible and always include them when passing the LH 32 on to third parties.
- Also read and follow the installation instructions contained in the operating manual of the studio monitor to be mounted.
- When mounting, follow the local, national and international regulations and standards.

Intended use

The LH 32 is a holder for fastening a studio monitor to a wall and providing optimal orientation. The LH 32 is only suitable for 2-way studio monitors and must only be used indoors in clean, dry rooms such as studios.

Additional mounting elements are needed to properly mount the LH 32 and an attached studio monitor to the wall, which are not included with delivery.

The LH 32 must not be used for other purposes or in other environments. In case of any damage or any deviation from the safety and mounting instructions, immediately dismount the studio monitor and the LH 32.

Required qualifications

Only skilled personnel may attach the LH 32 to the studio monitor and mount it on the wall. Due to his/her technical training, know-how and experience as well as knowledge of relevant provisions, regulations and standards, the specialist must be able to assess assigned tasks, recognize potential hazards and ensure appropriate safety measures.

Safety instructions for mounting

- Mount only one LH 32 to one studio monitor, as described in these assembly instructions.
- If the studio monitor is heavy, find a second person to help carry out the work; during the work, place the studio monitor on a flat, stable surface that can support its weight.
- Place something soft underneath the studio monitor so that you do not scratch its surface while performing the work.
- Always use the enclosed original accessories.
- The wall must be able to support the weight of the studio monitor and all accessories used, such that no parts will fall even if someone pulls hard on the power or audio cables. When calculating the weight, also take into account the additional leverage.
- When mounting the LH 32 on the wall, use fastening elements (not included with delivery) that are sufficiently dimensioned to ensure that the entire weight is held securely.
- Mount the LH 32 and the attached studio monitor to a flat, non-slip wall.
- Before starting work, prepare the adapter plate and fasten it to the wall. Then attach the two braces for horizontal and vertical inclination adjustment to the adapter plate and hook the studio monitor into the LH 32. Then adjust the studio monitor to the desired inclination.
- Tighten all screws by hand. Once you have finished mounting and aligning the studio monitor, ensure that all screws are firmly tightened.
- Take additional measures to ensure that the LH 32 and the attached studio monitor cannot fall. Use safety wires that are sufficiently dimensioned for the weight to be secured.
- Do not use the LH 32 in environments that are exposed to external vibrations.
- Every 3 months, check that all screws are properly tightened and that the LH 32, the studio monitor and the wall on which the LH 32 is mounted are in the proper condition.
- Replace the safety wire once it has already prevented the studio monitor from falling once.

Delivery includes

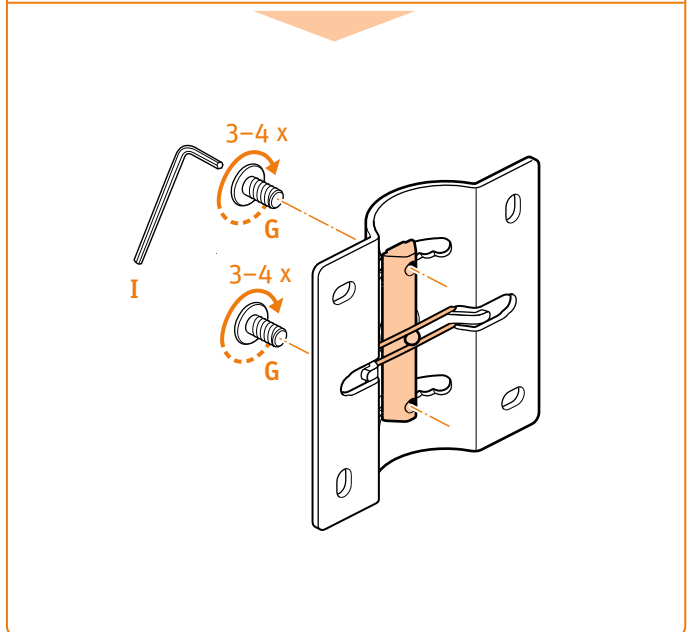
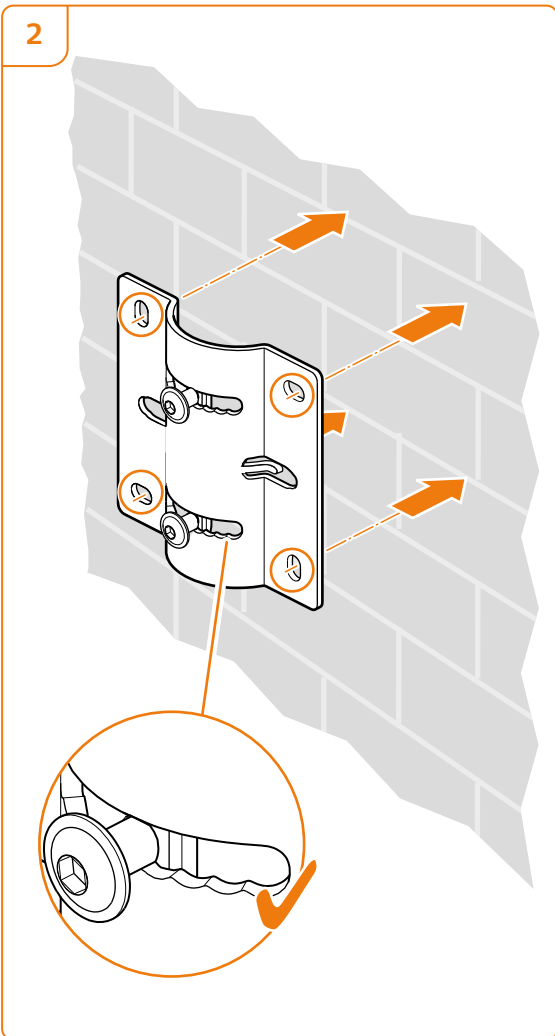
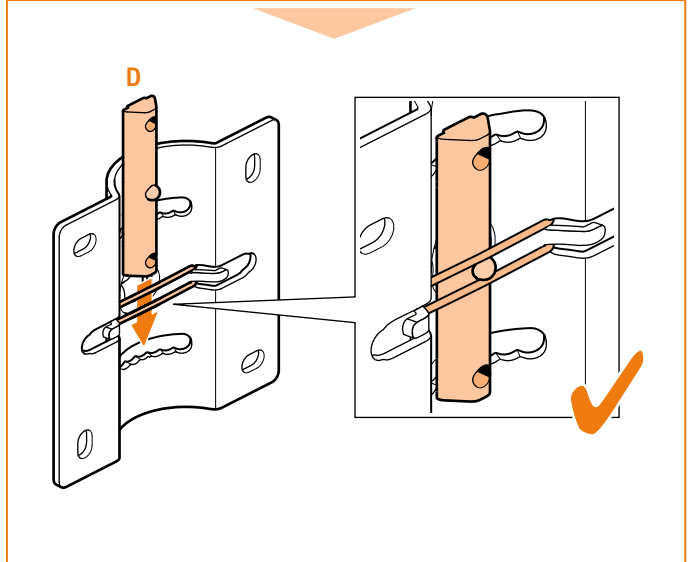
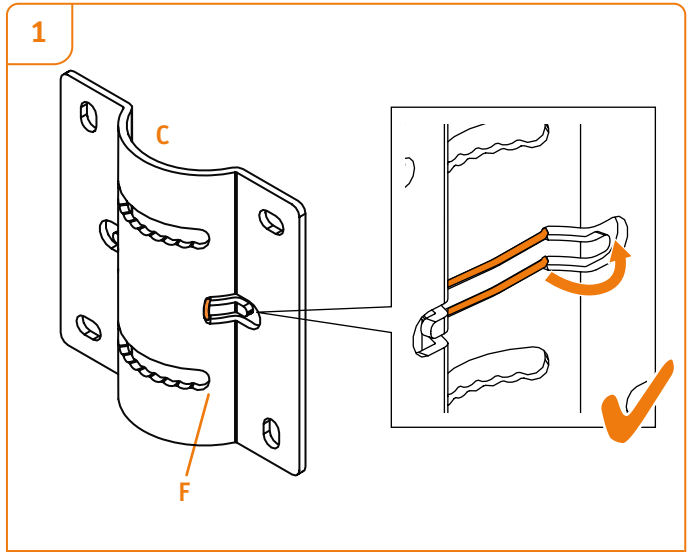
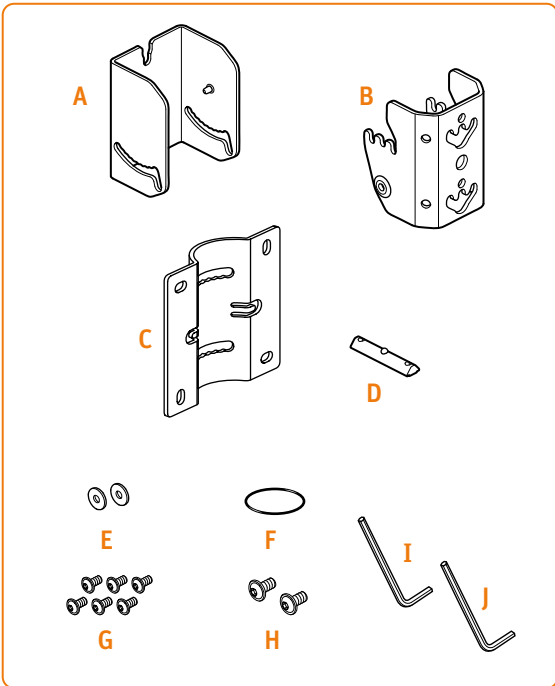
- A: 1 x brace for vertical inclination
- B: 1 x brace for horizontal inclination
- C: 1 x adapter plate for wall installation
- D: 1 x T-nut, 2 x M6, 60 mm
- E: 2 x metal washers, M6
- F: 1 x O-ring
- G: 6 x Allen screws, M6x12
- H: 2 x Allen screws, M8x12
- I: 1 x Allen key, 4 mm
- J: 1 x Allen key, 5 mm

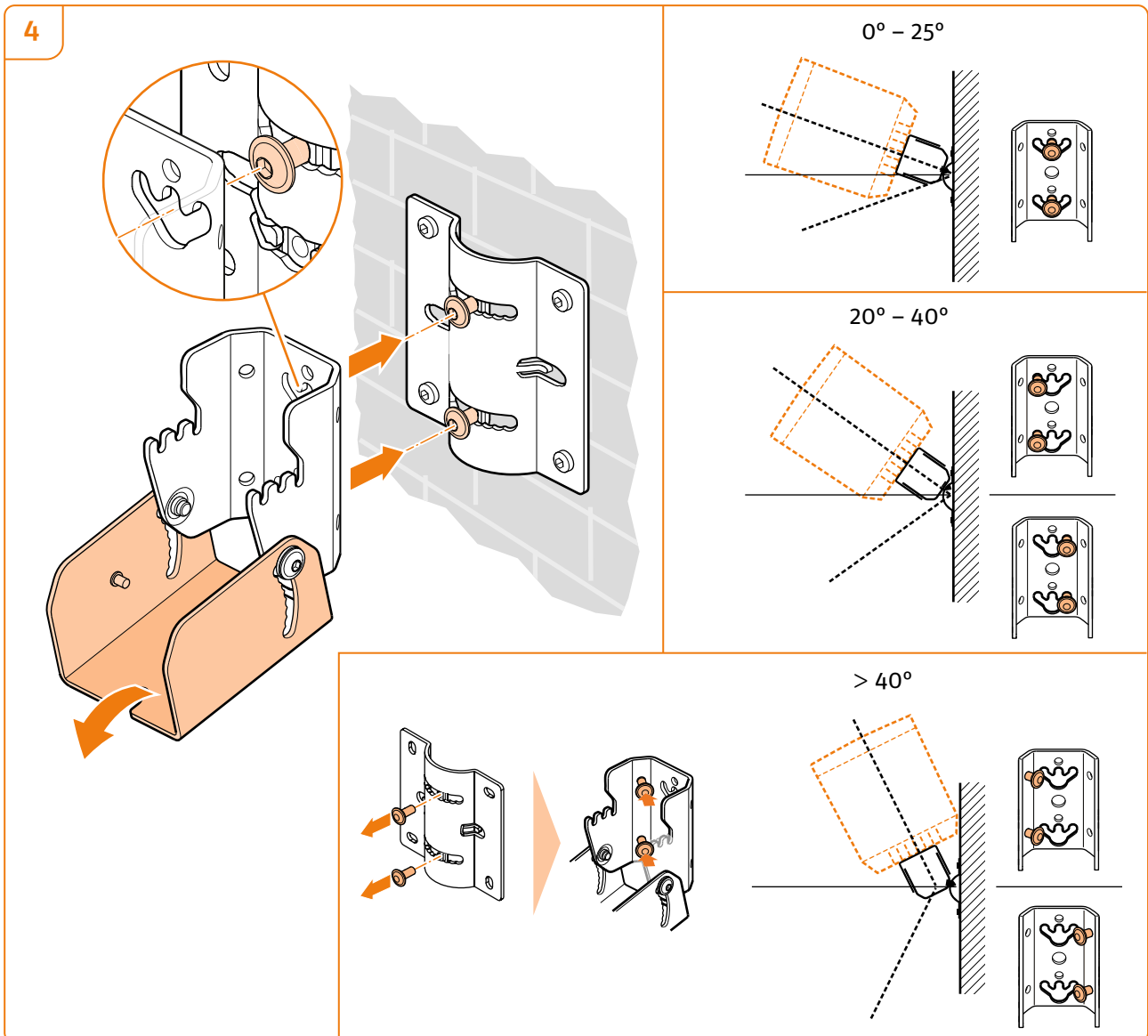
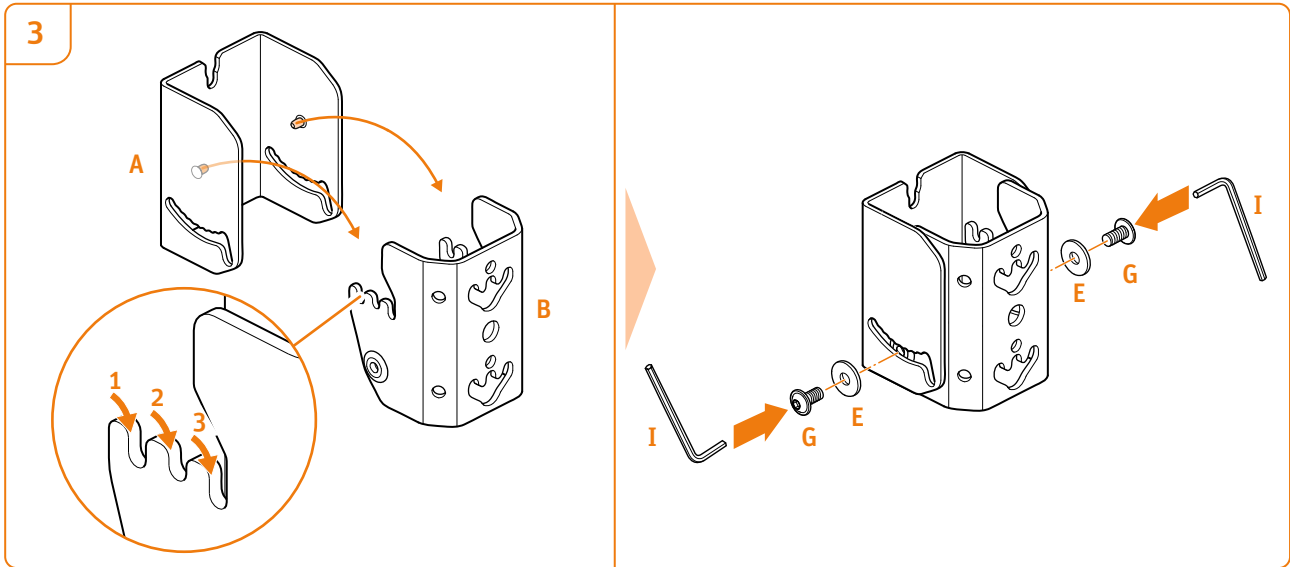
Specifications

Weight	approx. 0.8 kg
Dimensions when assembled	116 x 98 x 98 mm (H x W x D)
Max. load	10 kg

Warranty

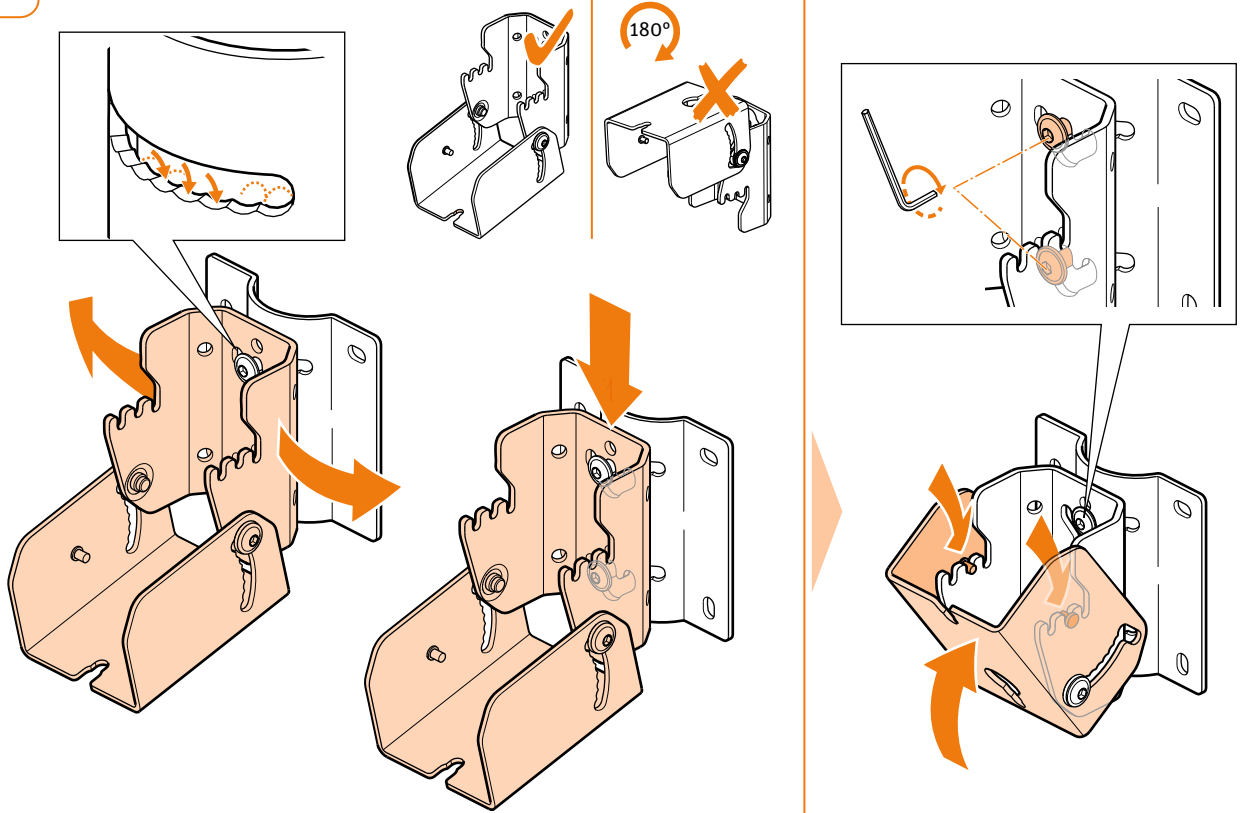
For the current terms and conditions of the warranty, please visit www.neumann.com.



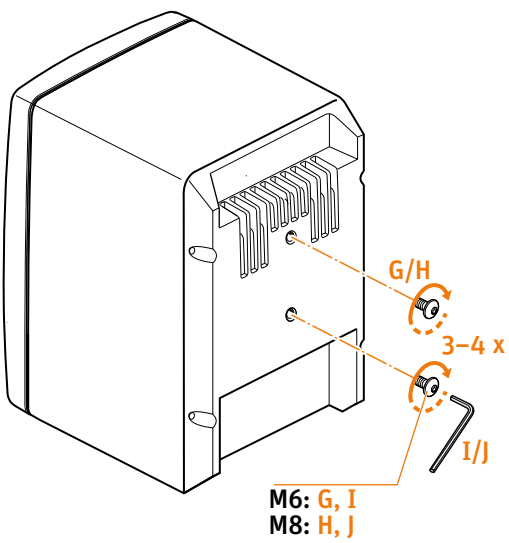




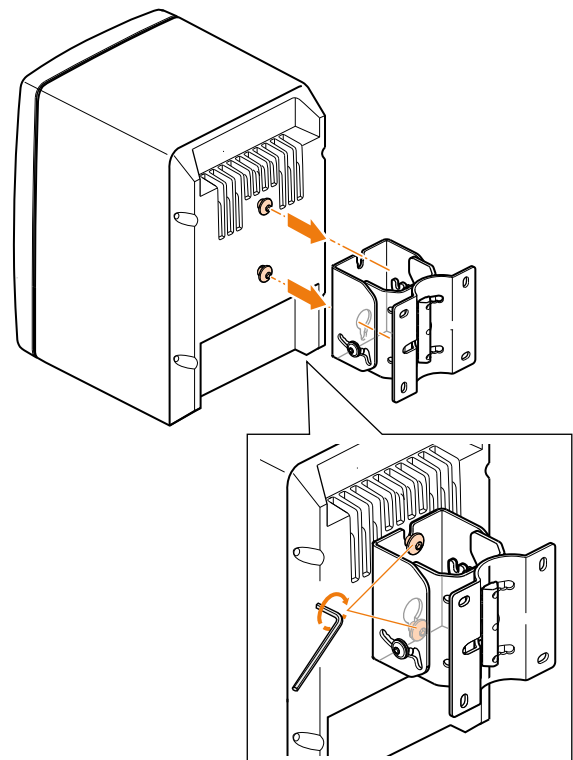
5



6

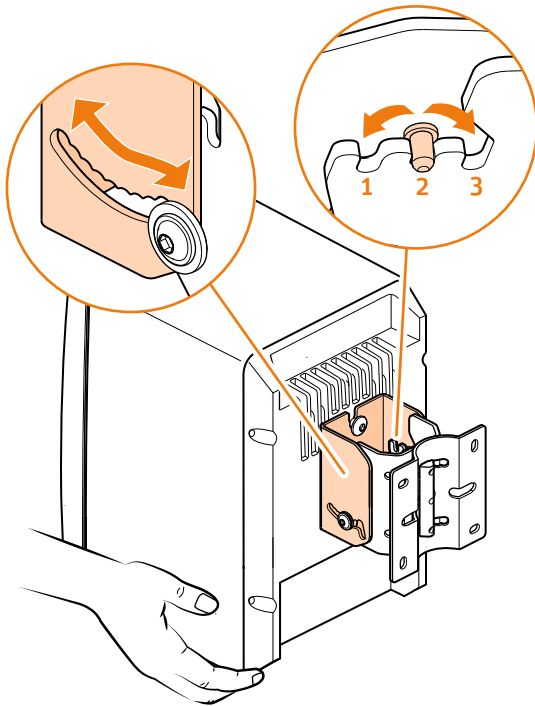


7





8



- 1 = $\leq 10^\circ$
- 2 = $\leq 25^\circ$
- 3 = $> 25^\circ$

-
- 1 = $> 25^\circ$
 - 2 = $\leq 25^\circ$
 - 3 = $\leq 10^\circ$

