



### Important safety and mounting instructions

**EN**

- Read and follow the safety and mounting instructions, keep these instructions easily accessible and always include them when passing the LH 42 on to third parties.
- Also read and follow the installation instructions contained in the operating manual of the studio monitor to be mounted.
- When mounting, follow the local, national and international regulations and standards.

#### Intended use

The LH 42 is a mounting bracket used to fasten a Neumann KH 420 studio monitor (or a Klein + Hummel O 410 studio monitor) to a wall, a ceiling or a stand. The LH 42 is only to be used indoors in clean, dry rooms such as studios.

To properly mount the LH 42 together with a studio monitor, you need additional Neumann accessories (see Mounting Hardware matrix at [www.neumann.com](http://www.neumann.com)) and additional fastening elements for mounting on a ceiling or wall.

The LH 42 must not be used for other purposes or in other environments. In case of any damage or any deviation from the safety and mounting instructions, immediately dismount the studio monitor and the LH 42.

#### Required qualifications

A specialist must first connect the LH 42 to the studio monitor and then mount the combined units on a wall, ceiling or stand. Due to his/her technical training, know-how and experience as well as knowledge of relevant provisions, regulations and standards, the specialist must be able to assess assigned tasks, recognize potential hazards and ensure appropriate safety measures.

#### Safety instructions for mounting

- Mount only one LH 42 to one studio monitor, as described in these assembly instructions.
- The studio monitor is very heavy. Two people are needed to carry out the work, and during work the studio monitor should be placed on a flat, stable surface that can support its weight.
- Place something soft underneath the studio monitor so that you do not scratch its surface while performing the work.
- Always use the enclosed original accessories.
- The ceiling, wall or stand must be able to support the weight of the studio monitor and all accessories used, such that no parts will fall even if someone pulls hard on the power or audio cables. When calculating the weight, also take into account the additional leverage.
- When mounting the LH 42 on a ceiling or wall, use fastening elements (not included with delivery) that are sufficiently dimensioned to ensure that the entire weight is held securely.
- Mount the LH 42 and the attached studio monitor to a flat, non-slip ceiling or wall or on a suitable stand.
- Take additional measures to ensure that the LH 42 and the attached studio monitor cannot fall. Use safety wires that are sufficiently dimensioned for the weight to be secured.
- Do not use the LH 42 in environments that are exposed to external vibrations.
- Every 3 months, check that all screws are properly tightened and that the LH 42, the studio monitor and the ceiling, wall or stand to which the LH 42 is fastened are in the proper condition.
- Replace the safety wire once it has already prevented the studio monitor from falling.

### Package contents

- A: 2 x braces for inclination adjustment
- B: 1 x adapter piece for LH 29, LH 43, LH 45 or LH 46
- C: 2 x bottom braces
- D: 1 x metal rod for horizontal mounting, 670 mm
- E: 1 x metal rod for vertical mounting, 355 mm
- F: 2 x holders for the safety wire (only for Klein + Hummel O 410)
- G: 2 x cabinet brackets
- H: 2 x spacers for the adapter piece
- I: 1 x spacer for the braces
- J: 2 x M8x80 locking screws
- K: 5 x M8x75 hexagon bolts
- L: 6 x M5x45 Allen screws
- M: 4 x M5x40 Allen screws
- N: 16 x M8 metal washers
- O: 6 x M5 metal washers
- P: 2 x plastic washers, 18 x 1.2 mm
- Q: 11 x M8 hexagon nuts
- R: 6 x PA-6 distance washers for distance pieces, 15.5 x 5.3 mm
- S: 4 x rubber plugs
- T: 2 x spacers for locking screws
- U: 16 x covering caps for size 13 hexagon nuts
- V: 1 x 4 mm Allen key
- W: 2 x spanners, 10 mm / 13 mm

### Specifications

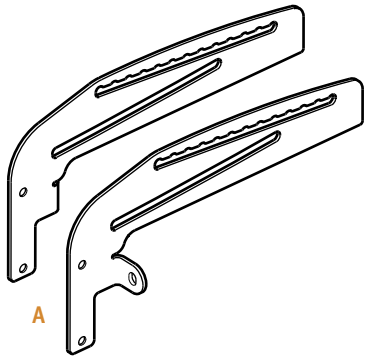
- Weight Approx. 8 kg
- Dimensions (assembled) Approx. 800 x 245 x 390 mm (H x W x D)

### Guarantee

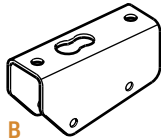
For the current terms and conditions of the product guarantee please visit [www.neumann.com](http://www.neumann.com).



# LH 42 Mounting manual



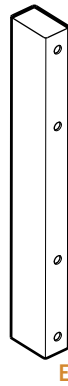
A



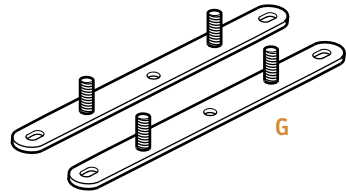
B



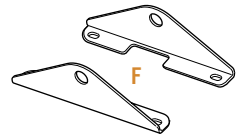
D



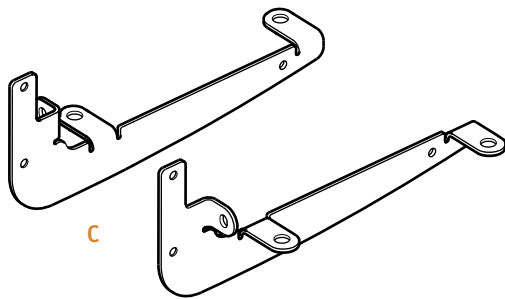
E



G



F



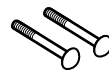
C



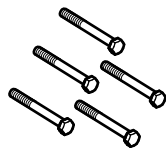
H



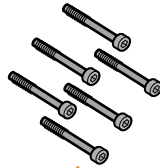
I



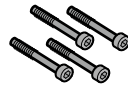
J



K



L



M



N



O



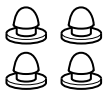
P



Q



R



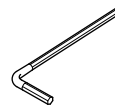
S



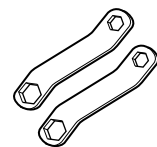
T



U



V

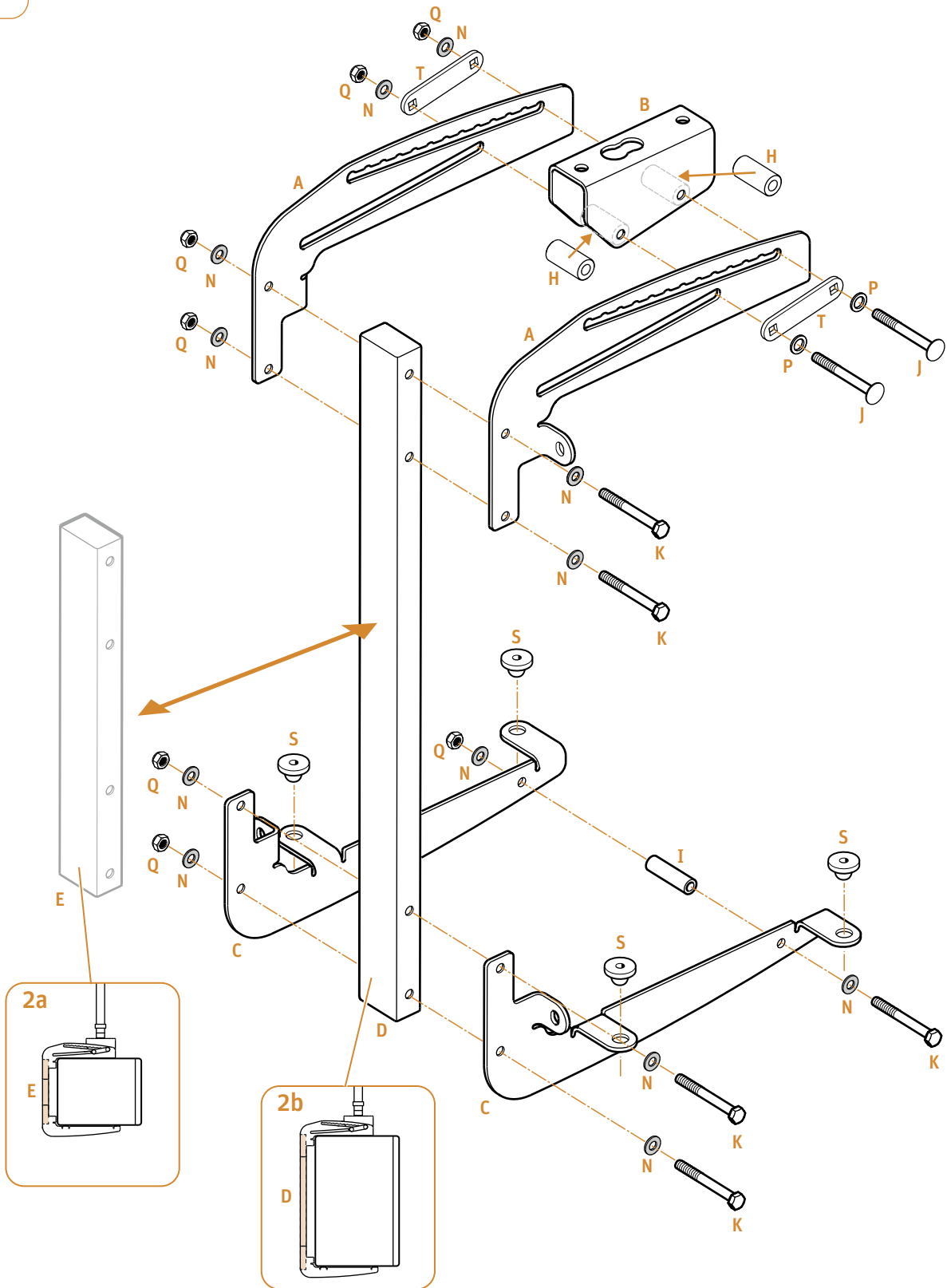


W



# LH 42 Mounting manual

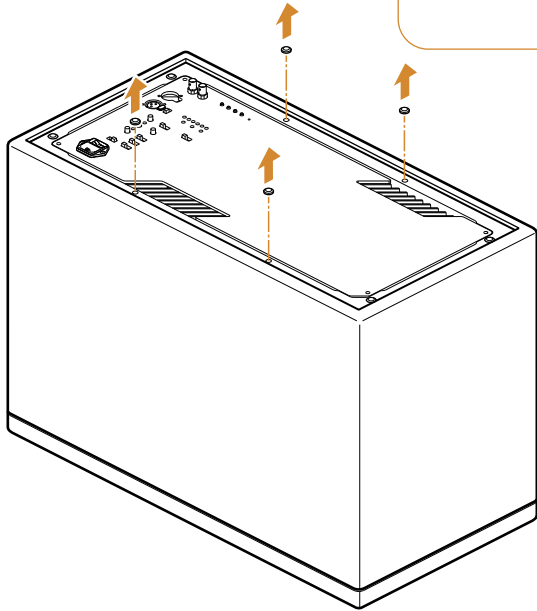
1



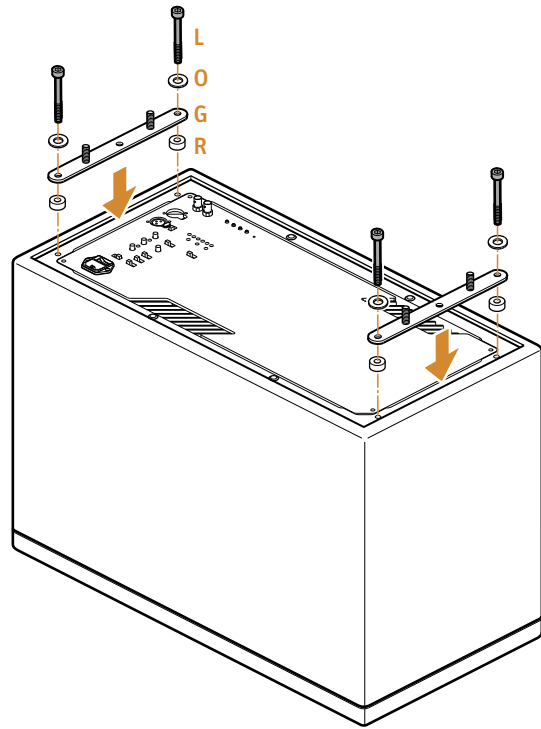
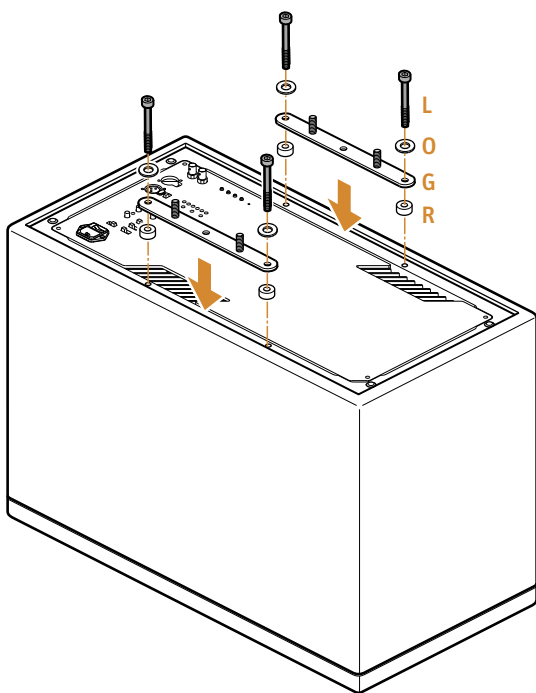
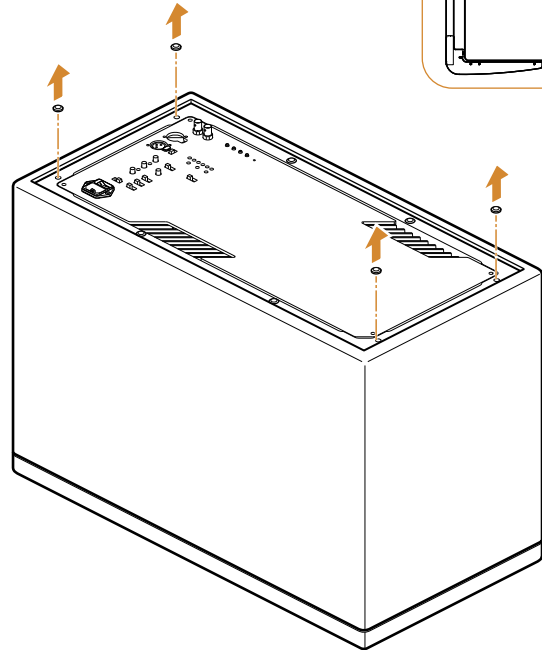


# LH 42 Mounting manual

2a

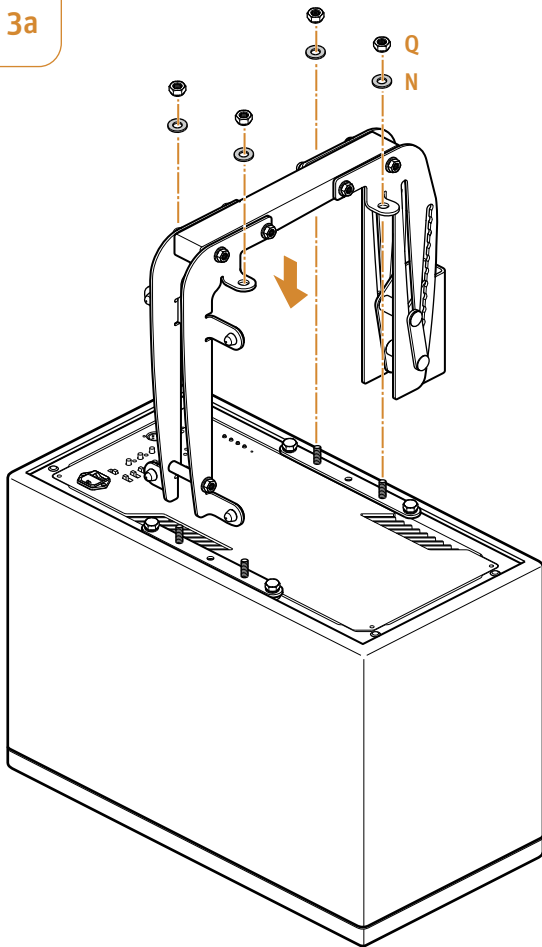


2b

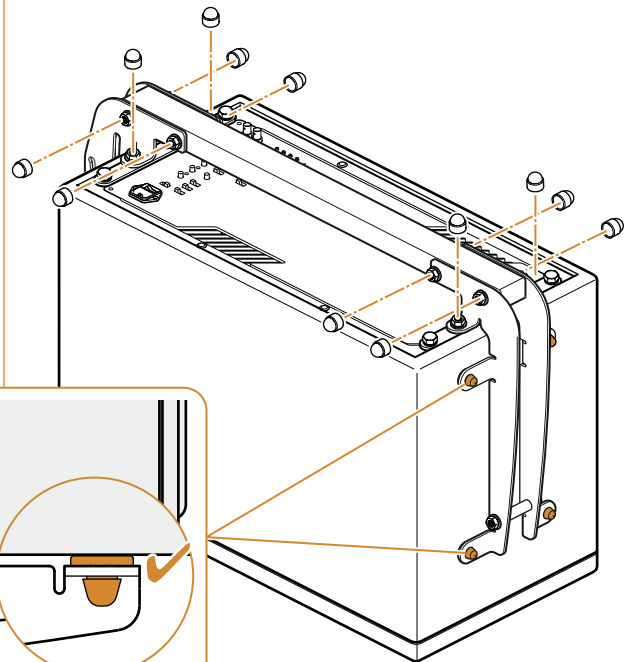
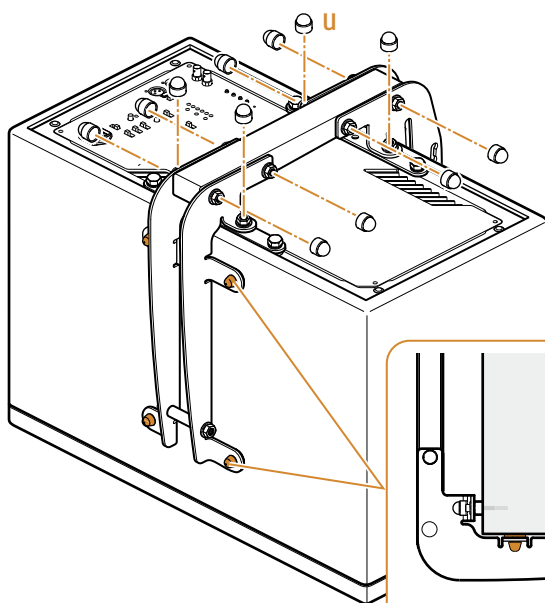
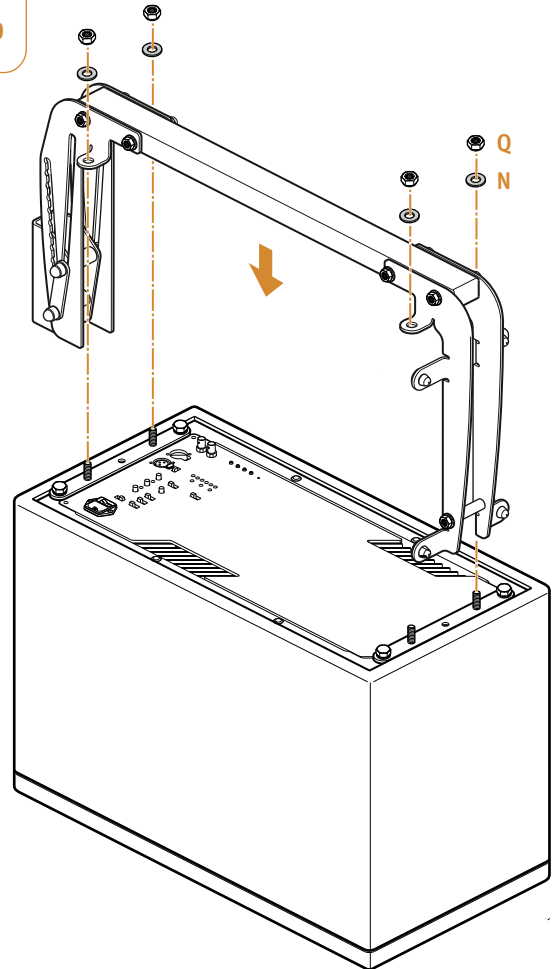




3a

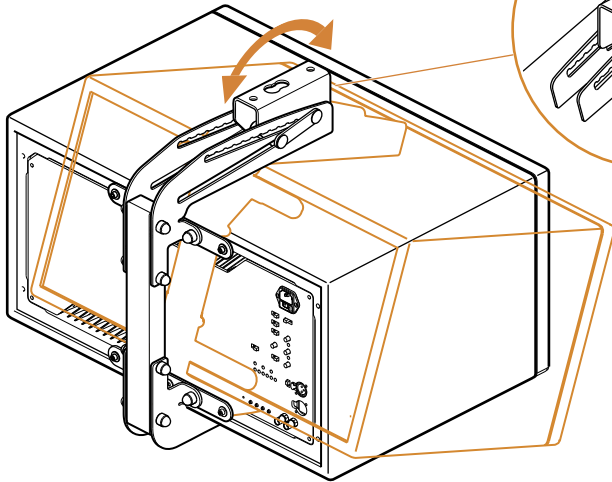
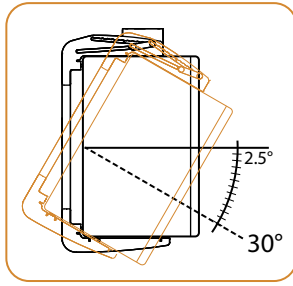


3b

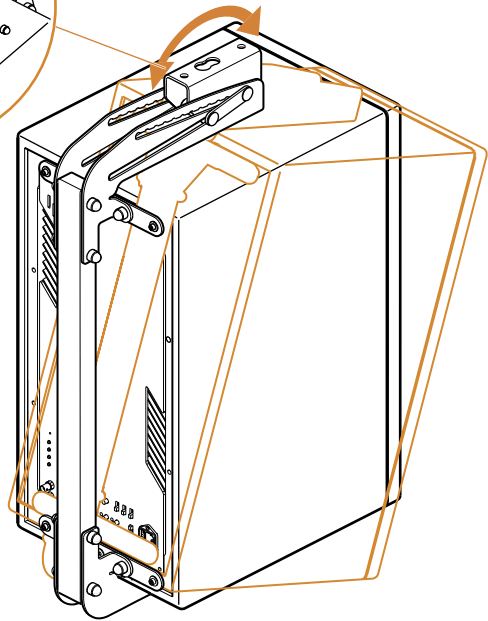
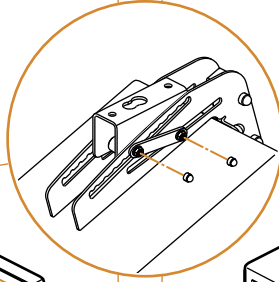




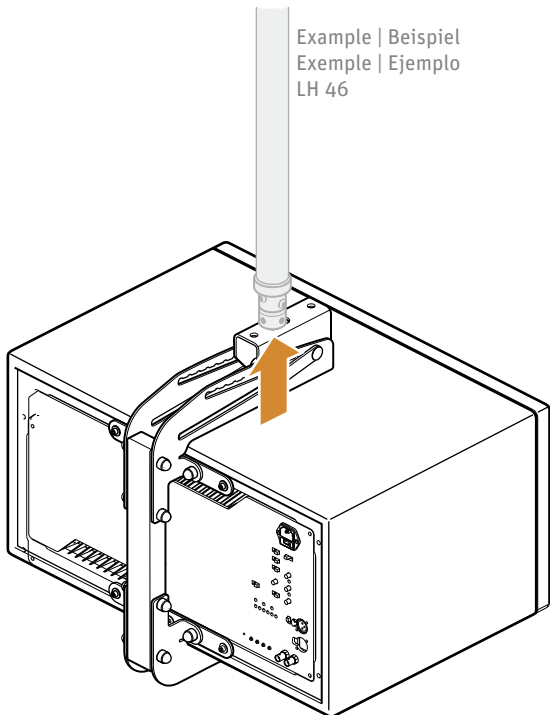
4a



4b



Example | Beispiel  
Exemple | Ejemplo  
LH 46



LH 46

