



LH 45

Mounting manual

Wall Bracket

EN

Important safety and mounting instructions

- Have the product mounted by a specialist.
- Due to his/her technical training, know-how and experience as well as knowledge of relevant provisions, regulations and standards, the specialist must be able to assess assigned tasks, recognize potential hazards and ensure appropriate safety measures. The following safety and mounting instructions are addressed to this specialist.
- Read and follow the safety and mounting instructions, keep these instructions and always include them when passing the LH 45 on to third parties.
- Also read and follow the installation instructions contained in the operating manual of the mounted loudspeaker.
- When mounting, observe and follow the local, national and international regulations and standards.
- Do not install the LH 45 in locations where it is exposed to externally generated vibrations.
- Always use the original Neumann mounting hardware.
- Only mount one loudspeaker in combination with other accessories from the Neumann mounting hardware range to the LH 45. The maximum permissible weight is 36 kg (79.4 lbs).



Download the PDF file “Hardware Mounting Matrix” from www.neumann.com. Only combine the Neumann mounting hardware as specified in the “Hardware Mounting Matrix”.

- The cylinder-shaped holder **B** is pre-mounted in the mid-position. If you want to mount the holder in the front or rear position:
 - Loosen the 4 Allen screws **F** of the locking ring **C** of the cylinder-shaped holder **B** (see fig. 1) using the 4 mm Allen key **G**.
 - Remove the locking ring.
 - Loosen the 4 Allen screws **D** (see fig. 1) using the 5 mm Allen key **H**.
 - Move the cylinder-shaped holder **B** to the desired position.
 - Tighten the 4 Allen screws **D** with a torque of 6 Nm and fasten the locking ring **C** (see fig. 2).



If you mount the cylinder-shaped holder **B** in the rear position, the horizontal rotation angle is reduced (see fig. 2).

- Attach the LH 45 to a vertical surface.
 - The surface must be able to carry the weight of the loudspeaker plus the weight of all parts used. Calculate the weight and additionally consider the leverage.
 - Use fastening elements (not supplied) that are sufficiently dimensioned for the calculated weight.
 - Use all 4 mounting points **I**, **II**, **III** and **IV** to attach the LH 45 to the vertical surface.
- Mount a Neumann mounting hardware that is suitable for use with the LH 45 to your loudspeaker (see the “Hardware Mounting Matrix”).
 - Also read and follow the safety and mounting instructions contained in the operating manual of the selected Neumann mounting hardware.
 - Only tilt the loudspeaker when it is properly fastened to the LH 45 and to additional Neumann mounting hardware, and when it is secured.
 - Tighten all supplied screws/nuts with a torque of 20 Nm.
- Mount the loudspeaker plus additionally attached hardware to the cylinder-shaped holder **B** of the LH 45. To do so, proceed as shown in figs. 3 to 7:



CAUTION

Danger of injury and material damage due to dropping of the loudspeaker!

Unless the additional hardware is properly fastened to the cylinder-shaped holder **B** of the LH 45, the loudspeaker together with the mounting hardware can drop down.

- ▶ Have the loudspeaker held by a second specialist who is physically able to do so. The requirements mentioned earlier also apply to this specialist.
 - ▶ When mounting the loudspeaker, provide a sufficient additional protection against dropping.
- Position the locking ring of the cylinder-shaped holder **B** in the upper position and tighten one of the 4 Allen screws so that the locking ring cannot work loose and fall off.
 - Place the loudspeaker plus additionally attached hardware onto the cylinder-shaped holder **B** as shown in figs. 3, 4 and 5.
 - Loosen the previously tightened Allen screw **F** of the locking ring **C** (see fig. 6).
 - Lower the locking ring into position (see fig. 7).
 - Rotate the loudspeaker in the desired direction.
 - Tighten the 4 Allen screws with a torque of 15 Nm. The loudspeaker with attached additional hardware is now properly fastened to the cylinder-shaped holder **B**.
 - Use safety wires to additionally protect the loudspeaker and the mounting hardware against tipping/dropping. The safety wires, rope terminations and coupling links must comply in their dimensioning and condition with the regulations and standards of the country in which they are used and must reliably prevent tipping/dropping of the attached loudspeaker and mounting hardware.
 - If necessary, vertically tilt the loudspeaker to the desired angle.
 - Make sure that ...
 - the LH 45, the associated mounting hardware and the loudspeaker cannot tip over or drop down, even if the power or audio cables are pulled;
 - you replace the safety wires and coupling links by new ones when they have prevented tipping/dropping;
 - you check every 3 months if all screws are properly tightened and if the LH 45 and associated mounting hardware, additional fastening elements, safety wires and coupling links, as well as the loudspeaker are in proper condition.

In case of any damage or any deviation from the safety and mounting instructions, immediately dismount the loudspeaker, the LH 45 and the additional mounting hardware used.

Delivery includes

- A:** 1 x LH 45 wall bracket
- B:** 1 x cylinder-shaped holder, pre-mounted
- C:** 1 x locking ring, pre-mounted
- D:** 4 x M5 x 16 Allen screws for screwing the cylinder-shaped holder to the LH 45, pre-mounted
- E:** 4 x metal washers, pre-mounted
- F:** 4 x M8 x 10 Allen screws for screwing the locking ring to the cylinder-shaped holder **B**, pre-mounted
- G:** 1 x 4 mm Allen key
- H:** 1 x 5 mm Allen key



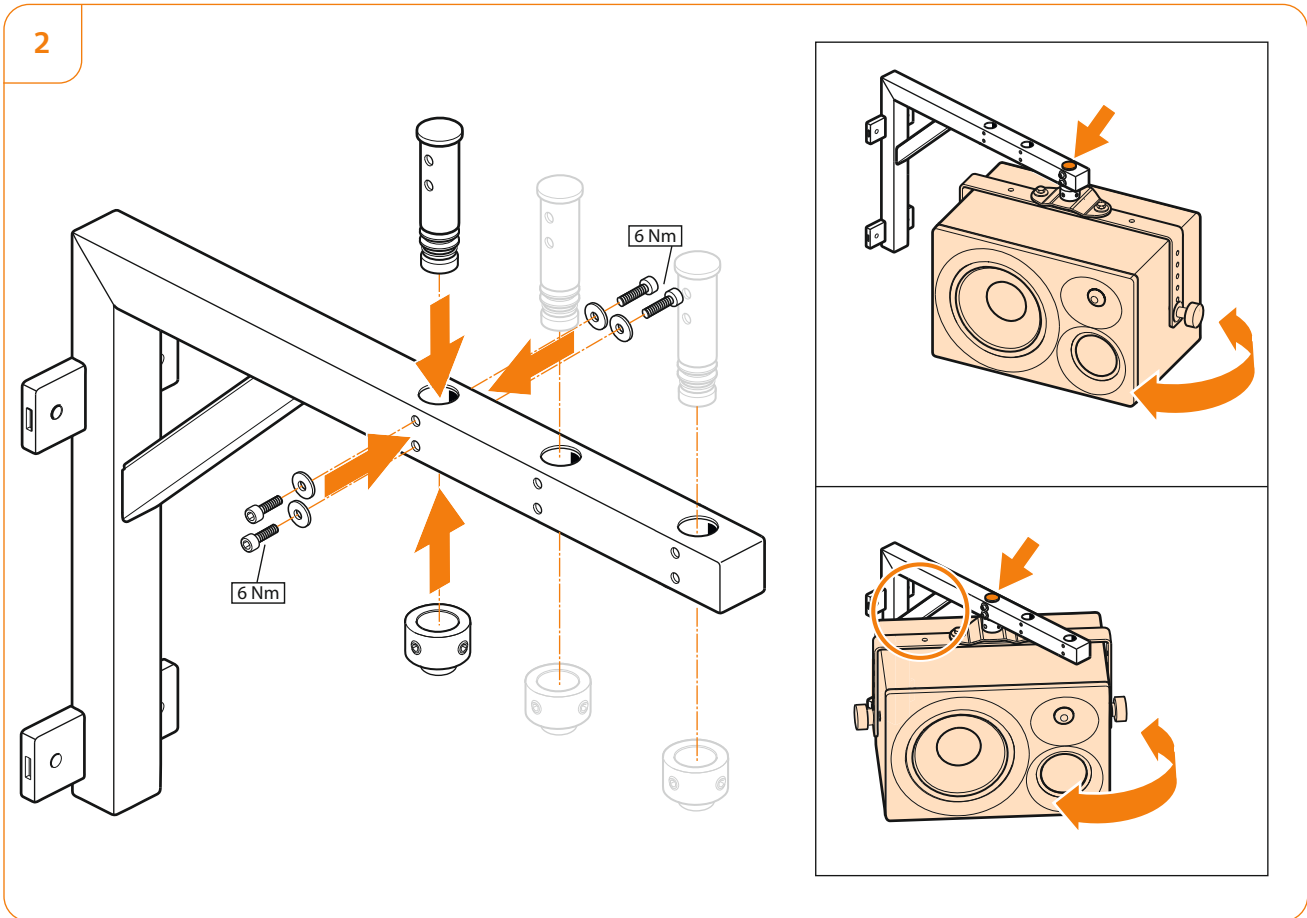
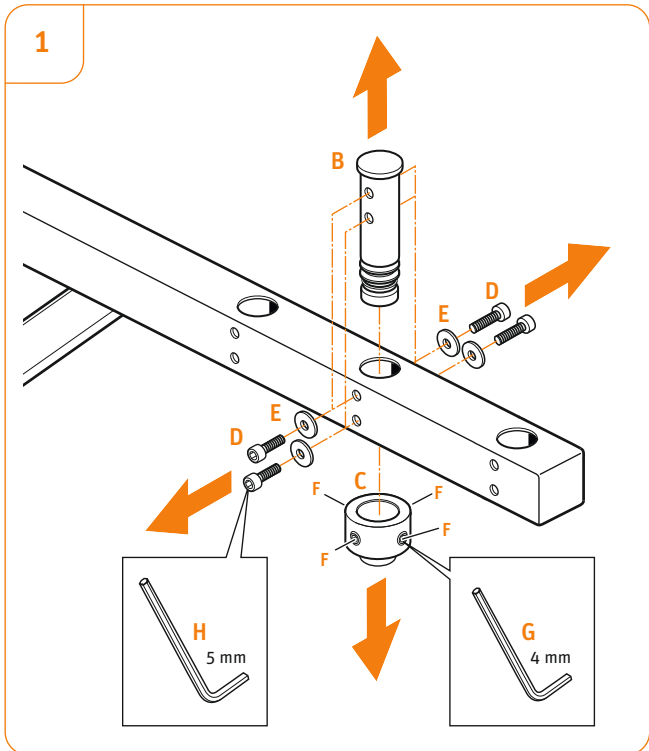
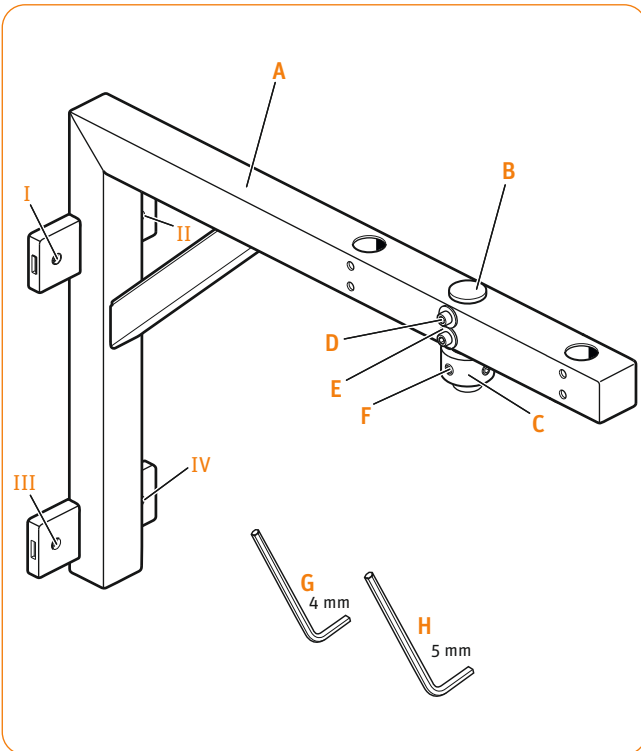
▶▶ NEUMANN.BERLIN

Specifications

Weight	3 kg (6.6 lbs)
Dimensions	570 x 125 x 405 mm (H x W x D) 22 1/2" x 4 7/8" x 16" (H x W x D)
Max. load	36 kg (79.4 lbs)

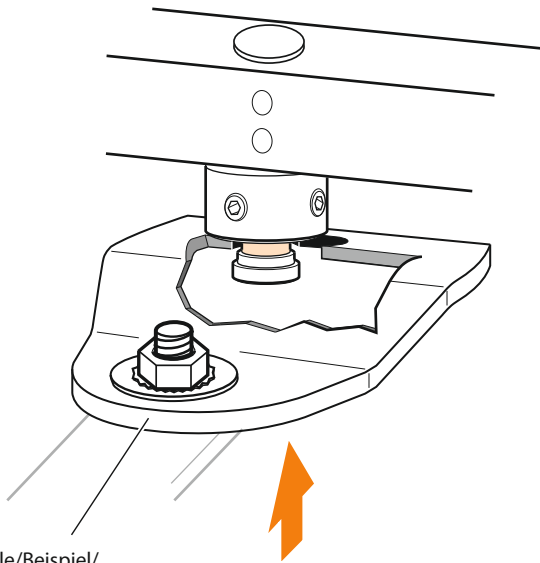
Guarantee

For the current terms and conditions of the product guarantee please visit www.neumann.com.



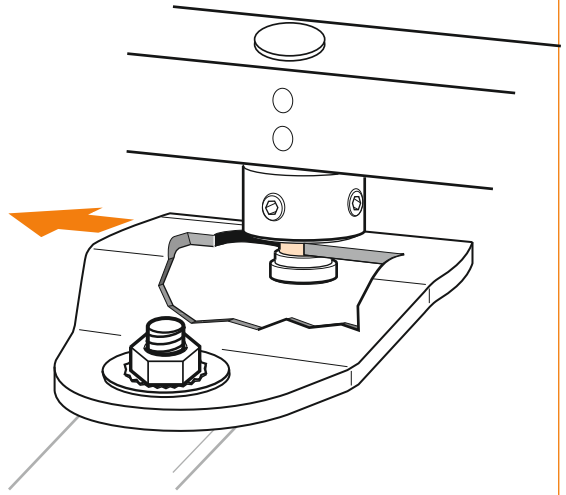


3

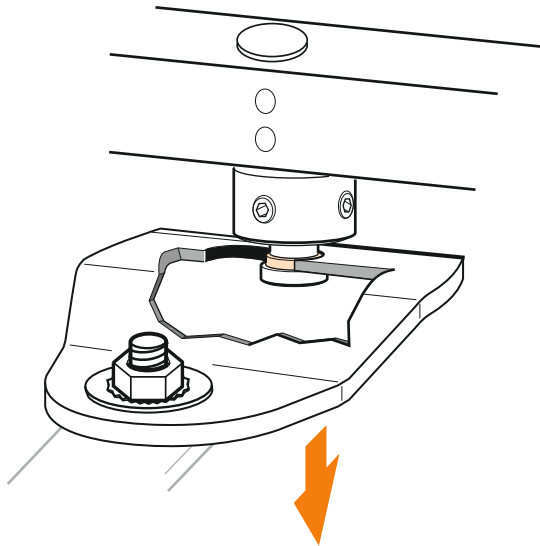


Example/Beispiel/
Exemple/Ejemplo:
LH 47

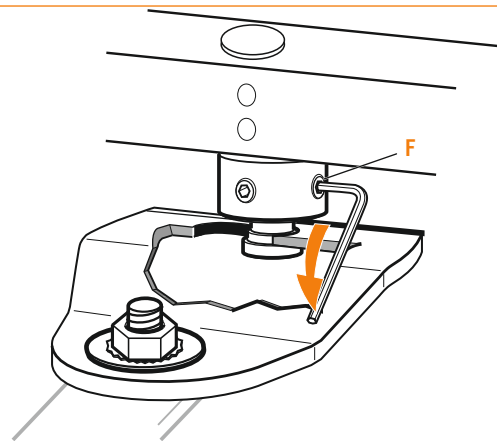
4



5



6



7

