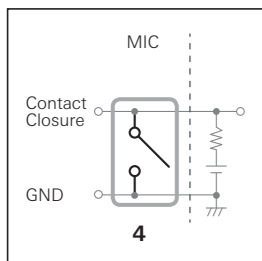
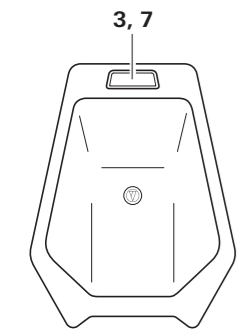
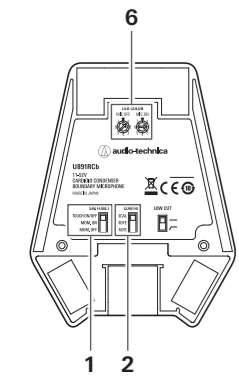




■ **スイッチ設定と機能 / Switch setting and functions / Paramètres et fonctions du commutateur / Schalterstellungen und deren Funktionen / Impostazioni e funzioni dell'interruttore / Ajustes y funciones de los interruptores / Configurações e funções do interruptor / Выбор положения переключателей и функций / 开关设置和功能 / 開關設定與功能 / 스위치 설정 및 기능**

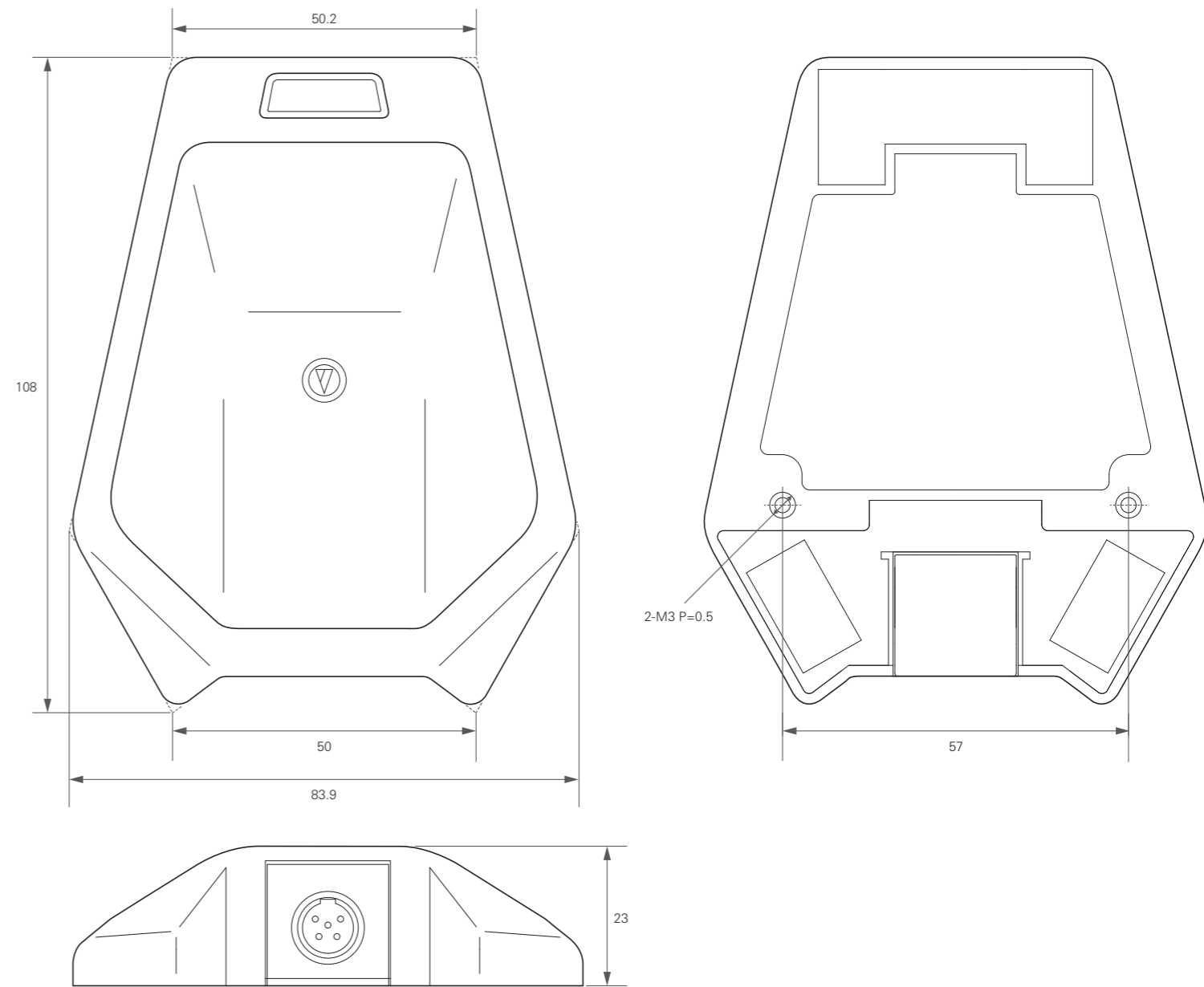
- ① U891Rb / U891RWb / U891RbO
- ② U891RCb



1. Control	2. Switch Function	3. Action	4. Contact closure status	5. Audio status	6. LED color	7. LED status
CONTROL LOCAL REMOTE LED REMOTE	SW. FUNCTION TOUCH ON/OFF MOM. ON MOM. OFF				LED COLOR MIC OFF MIC ON 	
					LED COLOR MIC OFF MIC ON 	
	SW. FUNCTION TOUCH ON/OFF MOM. ON MOM. OFF				LED COLOR MIC OFF MIC ON 	
					LED COLOR MIC OFF MIC ON 	
	SW. FUNCTION TOUCH ON/OFF MOM. ON MOM. OFF				LED COLOR MIC OFF MIC ON 	
					LED COLOR MIC OFF MIC ON 	
CONTROL LOCAL REMOTE LED REMOTE	SW. FUNCTION TOUCH ON/OFF MOM. ON MOM. OFF				LED COLOR MIC OFF MIC ON 	
					LED COLOR MIC OFF MIC ON 	
	SW. FUNCTION TOUCH ON/OFF MOM. ON MOM. OFF				LED COLOR MIC OFF MIC ON 	
					LED COLOR MIC OFF MIC ON 	
	SW. FUNCTION TOUCH ON/OFF MOM. ON MOM. OFF				LED COLOR MIC OFF MIC ON 	
					LED COLOR MIC OFF MIC ON 	
CONTROL LOCAL REMOTE LED REMOTE	SW. FUNCTION TOUCH ON/OFF MOM. ON MOM. OFF				LED COLOR MIC OFF MIC ON 	
					LED COLOR MIC OFF MIC ON 	
	SW. FUNCTION TOUCH ON/OFF MOM. ON MOM. OFF				LED COLOR MIC OFF MIC ON 	

■ **外形実寸 / Dimensions / Dimensions / Abmessungen / Dimensioni / Dimensiones / Dimensões / Габаритные размеры / 尺寸 / 外型尺寸 / 규격**

• 図はU891RCbです。 / The following figures show U891RCb. / Les illustrations suivantes présentent le modèle U891RCb. / Die folgenden Abbildungen zeigen das U891RCb. / Le figure seguenti mostrano il modello U891RCb. / En las siguientes ilustraciones se muestra el modelo U891RCb. / As imagens a seguir exibem o U891RCb. / На рисунках ниже изображена модель U891RCb. / 下图所示型号为U891RCb。 / 下圖所示型號為U891RCb。 / 아래의 그림은 U891RCb입니다.



(單位 / Unit / Unité / Einheit / Unità / Unidades / Unidade / Ед. измерения / 단위 / 單位 / 單位 : mm)

■ **配線 / Wiring / Câblage / Anschlussdiagramm / Cablaggio / Cableado / Fiação / Схема разводки / 接线 / 配線 / 배선**

• 対応機種 / Supported model / Modèle pris en charge / Unterstütztes Modell / Modello compatibile / Modelo compatible / Modelo compatível / Поддерживаемая модель / 支持型号 / 適用型號 / 지원 모델 : U891RCb



■ **LED / LED color / Couleur de la LED / LED-Farbe / Colore LED / Color de LED / Cor do LED / Цвет светодиодного индикатора / LED灯颜色 / LED燈顏色 / LED 색상**

• 対応機種 / Supported models / Modèles pris en charge / Unterstützte Modelle / Modelli compatibili / Modelos compatibles / Modelos compatíveis / Поддерживаемые модели / 支持型号 / 適用型號 / 지원 모델 : U891RCb, U891Rb, U891RWb, U891RbO

▼	1	2	3	4	5	6	7
OFF	RED	GREEN	YELLOW	BLUE	MAGENTA	CYAN	WHITE