



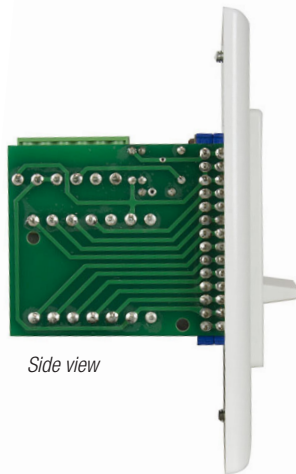
Volume control includes a decorator style wall plate with sliding bar.



features.

- **Description:** Mono autoformer attenuator volume control provides precise level adjustment of (25V/70V/100V) single or multiple speaker lines. Includes priority relay for emergency signal bypass and wall plate with sliding bar switch to meet ADA requirements.
- **Power Rating:** 100W
- **Attenuation:** 3dB per step attenuation with two positions of 6dB before "off"
- **Priority Relay:** 24VDC@15mA relay for applications requiring ability to override volume control with an emergency page or signal.
- **Connection:** Phoenix style plug-in screw termination strips for prewire convenience.
- **Wire Capacity:** Up to 14-gauge
- **Wall Plate:** One-gang white decorator style wall plate with sliding bar switch. ADA compliant*
- **Dimensions:** 2.75" x 4.5" x 2.375"
- **Third Party Certification:** ETL Listed in U.S.A. and Canada (to UL 60065)
- **Installation:** Mounts in a standard one-gang E.O. box with minimum depth of 2.375" (order separately).
- **Optional: (order separately)**
 - **Wall Box #P1X:** Surface-mount one-gang wall box (4.625" x 2.875" x 2.5") fits standard devices. Steel with white finish. Half-inch knockouts. Includes U-clips.
 - **Panel #D8P-ID-3:** 19"W x 3U rackmount panel with rear lacing flange and Pocket-ID window for labels will accept up to eight (8) one-gang devices.
 - **Panel #D9P-ID-3:** 19"W x 3U rackmount panel with rear lacing flange and Pocket-ID window for labels will accept up to nine (9) one-gang devices (standard spacing 1.812")

**Americans with Disabilities Act compliant with required activation force less than 5 lbf (ft. pounds). See ADA Accessibility Guidelines Sec. 4.27.4 online at www.access-board.gov*



Side view

a&e specifications.

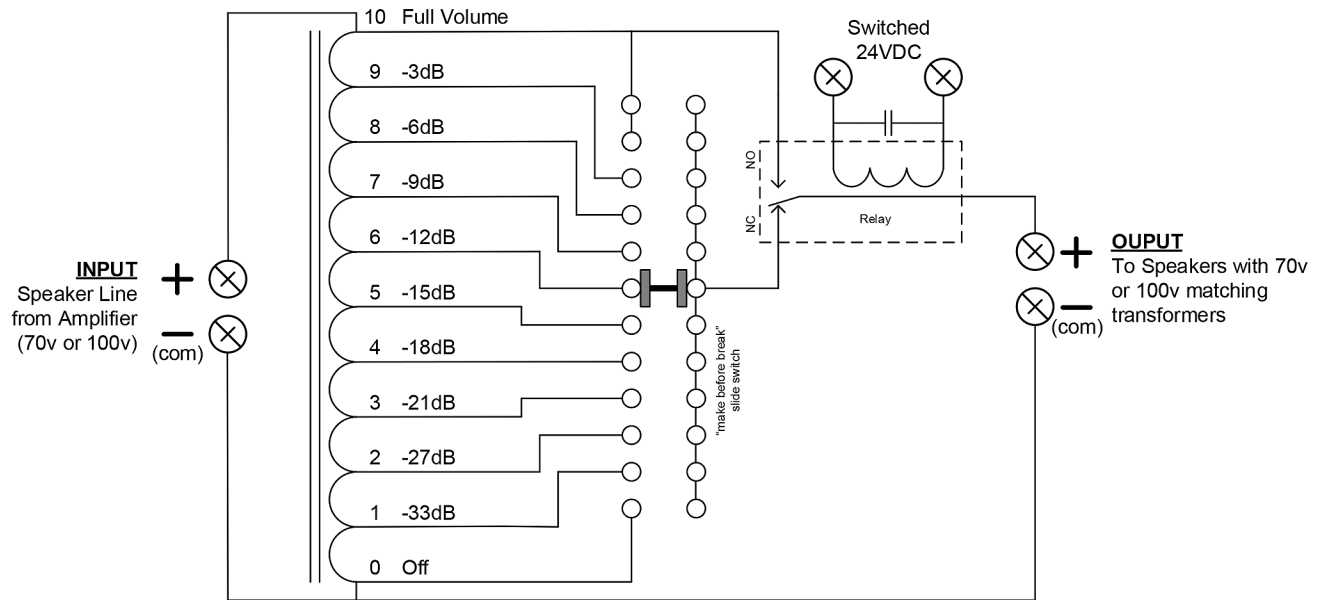
The ADA compliant volume control attenuator with one-gang decorator style wall plate and sliding bar switch shall be Lowell #SVC100-PA-DW. It shall feature 100W power rating, 3dB per step attenuation (6dB per step in last two positions before off), and a 24VDC@15mA relay for emergency/paging signals to bypass/override the attenuator. It shall include a decorator style one-gang wall plate with white finish. The device shall be designed to fit an E.O. box with minimum inside dimensions of 1.875"W x 2.688"H x 2.375"D.

- **Optional**
 - The volume control shall include a one-gang, surface-mount wall box with white finish, half-inch knockouts and U-clips, Lowell #P1X.
 - The volume control shall mount to a 19" x 3U rackmount panel, Lowell #D8P-ID-3.
 - The volume control shall mount to a 19" x 3U rackmount panel, Lowell #D9P-ID-3.

Summary

Model No.	Power Rating	VC Type	Priority Relay	Switch Style	Switch Positions	Attenuation Step / Total	Wall Plate Style	Wall Plate Color
#SVC100-PA-DW	100W	auto-trans	yes	sliding bar	10-Off	3dB/33dB*	decorator 1-gang	white

*2 steps of 6dB each before "Off"



Schematic

