

## ***K-FLY2***

USER GUIDE  
English

## TABLE OF CONTENTS

|                                  |   |
|----------------------------------|---|
| SYMBOLS .....                    | 3 |
| 1. INTRODUCTION .....            | 4 |
| 1.1 SAFETY INFORMATION .....     | 4 |
| 1.2 COMPATIBLE PRODUCTS .....    | 5 |
| 1.3 CONFIGURATION EXAMPLES ..... | 5 |
| 2. THE HORIZONTAL FLY BEAM ..... | 6 |
| 3. THE JOINT PLATE.....          | 6 |
| 4. ASSEMBLY AND ADJUSTMENT ..... | 7 |
| 4.1 ADJUSTING THE ANGLES .....   | 9 |

## SYMBOLS

---



K-array declares that this device is in compliance with applicable CE standards and regulations. Before putting the device into operation, please observe the respective country-specific regulations!

---



Waste Electrical and Electronic Equipment (WEEE)  
Please dispose of this product at the end of its operational lifetime by bringing it to your local collection point or recycling center for such equipment.

---



This symbol alerts the user to the presence of recommendations about the product's use and maintenance.

---



This symbol alerts the user to the presence of recommendations about product's use and maintenance.

# 1. INTRODUCTION

The K-FLY2 system is an accessory needed to fly a cluster of K-array compatible speaker models.

In order to link one speaker to another, the K-JOINT2 accessory is also needed (not included). One K-JOINT2 is needed per speaker.



K-FLY2 MAXIMUM RUNNING LOAD = 100 kg  
The structure's safety factor is equal to 7 on the breaking load



## 1.1 SAFETY INFORMATION

- Read these instructions.
- Keep this instructions.
- Heed all warnings.
- Only use attachments/accessories specified by the manufacturer. K-array does not assume any responsibility for damages caused by the use of material that does conform to the specific requirements listed in this manual.
- **Choking Hazards.** This device contains small parts, which may present a choking hazard to small children. Keep the device and its accessories away from small children.
- **Do not make repairs yourself.** Never attempt to disassemble, repair or modify the system yourself. Disassembling the unit may cause damage that is not covered under the warranty. The device contains no user serviceable parts. Repairs should only be performed by factory trained service personnel.
- **Operating environment.** The system can be used both outdoors and indoors and can resist saline environments. It is forbidden to use it in explosive environments.
- **Setup.** Set up your device on a stable, horizontal surface. When combined or mechanically connected with other products, always verify the stability of the resulting system. Install the unit only in a location that can structurally support the weight of the unit and that is far away from interference with the stability of the system. Ensure the wind does not interfere with the system's stability by taking extra securities such as chains, weights, ropes or any other certified anchoring systems. Otherwise a unit could fall, causing property damage, personal injury or even death. The system should only be suspended by qualified personnel following safe rigging practices. Securing fixtures to the building structure are vital. To clarify any doubts you may have, seek help from architects, structural engineers or other specialists.
- **Lifting and storage.** The whole system must be transported and stored already dismantled. Assembly must be done onsite.
- **Shutdown.** Once the system is no longer being operated it must not be left abandoned. All iron made material must be disposed of by an authorized scrap yard.

### 1.2 COMPATIBLE PRODUCTS



The K-FLY2 must be used only with K-array products KK52, KK102, KP52, KP102, KY102, KU26, KU44.

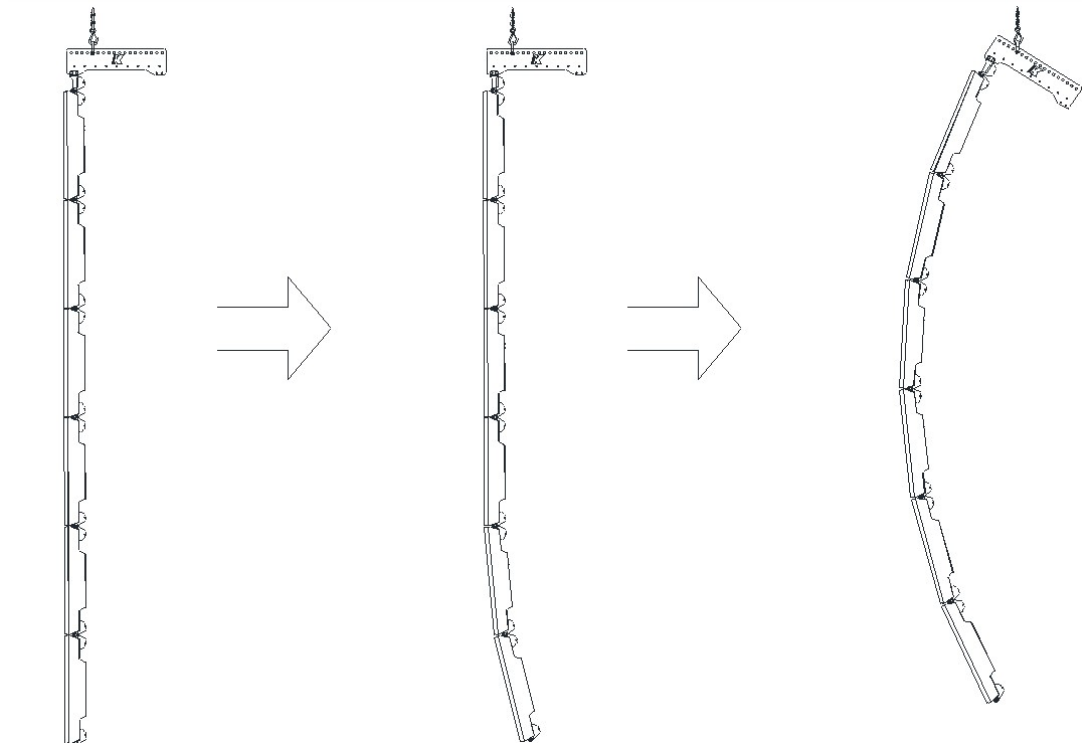


| KK52       | KK102     | KP52       | KP102     | KY102     | KU26       | KU44       |
|------------|-----------|------------|-----------|-----------|------------|------------|
| Max 16 pcs | Max 8 pcs | Max 12 pcs | Max 6 pcs | Max 6 pcs | Max 12 pcs | Max 12 pcs |
| Tot 48 kg  | Tot 48 kg | Tot 84 kg  | Tot 78 kg | Tot 95 kg | Tot 85 kg  | Tot 85 kg  |

### 1.3 CONFIGURATION EXAMPLES

The regulation of the joints and the choice of the hanging point will generate different array profiles to meet the different needs of the acoustic sound required for each venue.

Below are some possible configurations.



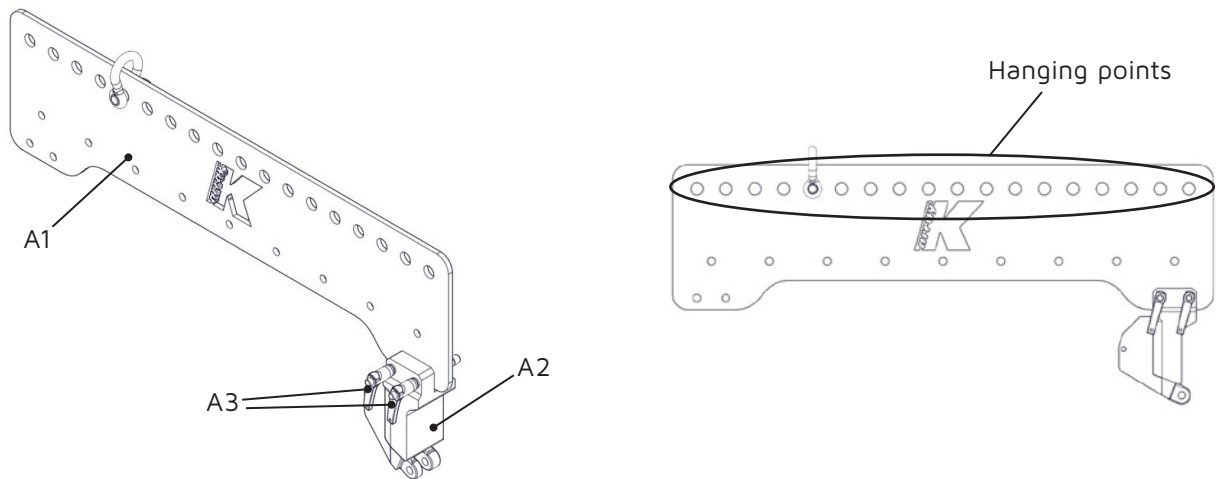
The array profile also determines the safety factor of the whole frame.



## 2. THE HORIZONTAL FLY BEAM

The horizontal beam (A) consists of a perforated bar (A1) to which all devices are fastened and flown from the tilt joint (A2) to which the joint plates are fastened.

The two components are linked together with two M8x40 stainless steel quick release piston pins (A3).

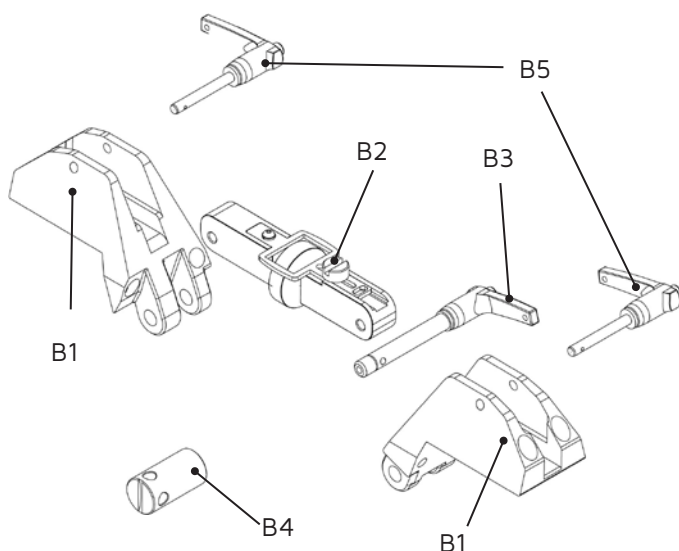


## 3. THE JOINT PLATE

The K-JOINT2 joint plate (B) is a device that joins several speakers and adjusts the tilting angles. It also connects the entire cluster to the fly bar.

The group is made up of two identical aluminum joints (B1) linked by a stainless steel, quick-release M8x40 piston pin (B3). The piston pin features a security block (B4) that must be used only in stacked applications. Do not use it when flying the speakers as it could accidentally fall, causing injuries.

Two additional M5x30 stainless steel quick release piston pins (B5) join the central bracket (B2) to the aluminum joints (B1). Eight cylindrical Allen key screws M5x14 (provided) are needed to fasten the joint plates to the loudspeaker enclosures.



### FAQ

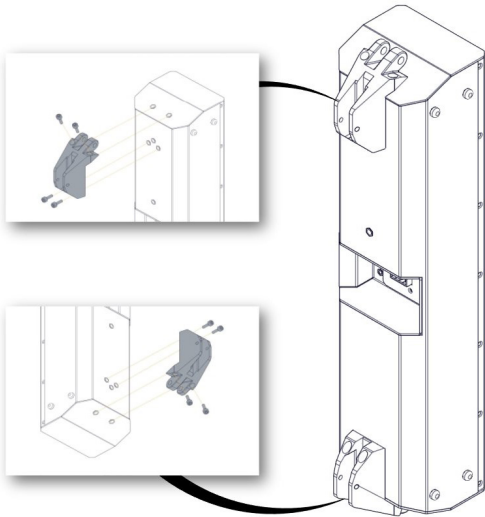
Question: How many K-JOINT2 units do I need?  
 Answer: One per unit. If you want to fly a cluster composed of 4 x KP102, you'll need 4 x K-JOINT2.




The security block (B4) must be used only in stacked applications. Do not use it when flying the speakers!

### 4. ASSEMBLY AND ADJUSTMENT

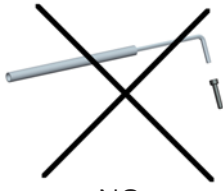
1. First, connect the two aluminum joints (B1) of each K-JOINT2 to each loudspeaker frame with the provided screws.



- The screws are included; in case of displacement only use stainless steel A2 CLASS 70 screws.
- The tightening of the screws should be done with a screw gun or by hand using a dedicated hex key without using any extensions.

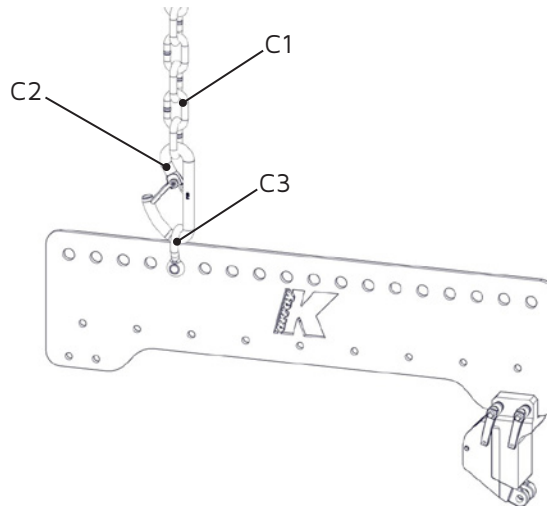





YES



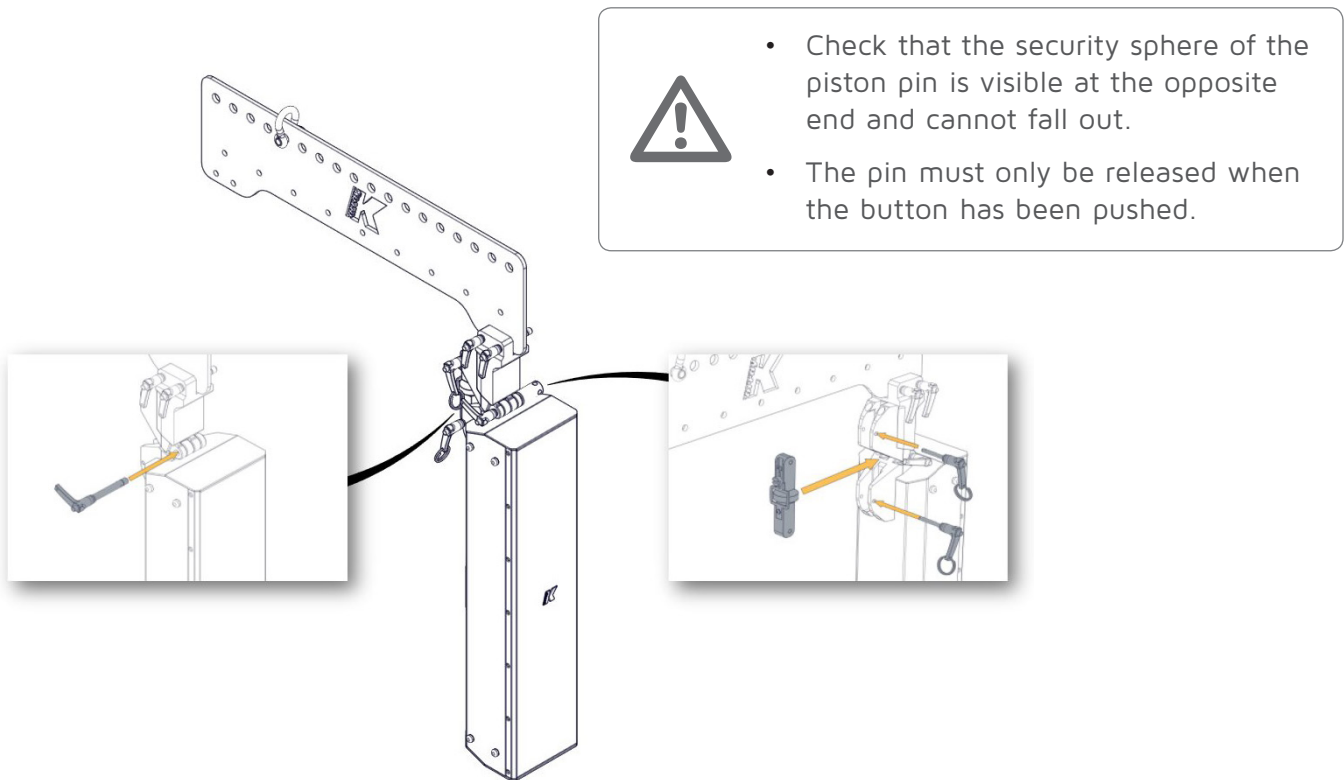
NO

2. The horizontal fly beam must be linked to a lifting device with a lifting chain (C1 - NOT SUPPLIED), a hook with security fastening (C2 - NOT SUPPLIED) and an Omega shackle (C3 - SUPPLIED).

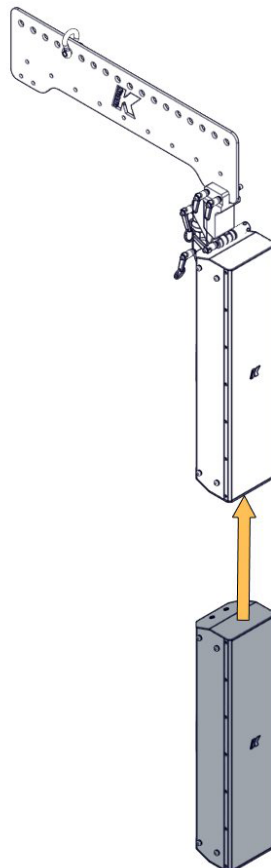


| NOT SUPPLIED  | NOT SUPPLIED  | SUPPLIED  |
|---|---|---|
|  |  |  |
| Use stainless steel 50° chain with a 5mm links minimum.<br>WLL = 500 kg             | Use stainless steel hooks with security fastening.<br>WLL = 150 kg                  | Use the Omega shackle (CS3) that is supplied with the system.                         |

3. Position the horizontal fly beam (A1) at an appropriate distance from the floor. Fasten the first speaker to the beam (A1) with a M8x40 piston pin (B3). Lift the beam in order to position the speaker vertically and then insert the central bracket (B2) and fasten it with the supplied M5x30 piston pins (B5).



4. Repeat Step 3 to connect other speakers.





## 4.1 ADJUSTING THE ANGLES

Varying the length of the central bracket allows the user to adjust the angle between the speakers. Each joint allows an adjustment of  $\pm 10^\circ$ .

To adjust the length of the central bracket, unfasten the screw (D1) and rotate the ring (D2) until you reach the desired angle between the speakers then refasten the screw (D1).

