

# Marshall

**CV610-U2** *Silver/Black*

**CV610-UB** *All Black*

---

Full HD USB 2.0 PTZ Camera



## Operating Instructions

Version V3.6

## Table of Contents

SAFETY GUIDELINES .....	3
ACCESSORIES .....	3
QUICK START .....	4
PRODUCT HIGHLIGHTS.....	5
RESOLUTION & FRAME RATE SETTINGS .....	5
CAMERA SPECS.....	5
CAMERA INTERFACE .....	6
CAMERA DIMENSIONS .....	6
IR REMOTE CONTROLLER.....	7
OSD MENU .....	8
VISCA IN (RS232) PORT .....	10
VISCA PROTOCOL .....	10
IR TRANSFER (IR PASS) .....	17
UVC CONTROL.....	17
WALL MOUNT INSTALLATION.....	18



### IMPORTANT SAFETY INSTRUCTIONS:

- Remove lens cover before plugging camera into power source.
- Before starting operation, please fully read and follow all instructions in the manual. For your safety, always keep this manual with the camera for reference.
- The camera power input range is 100-240VAC (50-60Hz), ensure the power supply input within this range before powering on.
- The camera power voltage is 12VDC, rated current is 1.5A. We suggest you use it with the original power supply adapter supplied in the box.
- Please keep the power cable, video cable and control cable in a safe place. Protect all cables especially the connectors from moisture and dirt.
- Operational environment: 32°F to 122°F ( 0°C to 50°C) and humidity less than 90%. To avoid any danger, do not put anything inside the camera, and keep away from corrosive liquids.
- Avoid stress, vibration and jolts during transportation, storage and installation.
- Do not detach the camera housing and cover. For any service, please contact authorized technicians.
- RF cable and control cable should be individually shielded, and cannot be substituted with other cables. Do not direct the camera lens towards strong light, such as the sun or the intensive light.
- Always use a dry, soft cloth to clean the camera housing. Only use neutral cleaning agents when there is need to clean smudges or dirt from camera body. To avoid damage on the camera lens, only use a soft microfiber cloth.
- Do not carry or move the camera by holding the camera head. To avoid mechanical damage of internal gears, do not rotate the camera head by hand.
- Put the camera on a fixed desk or platform, avoid installing on surfaces that are not level.
- Power Supply Polarity (Drawing) below:

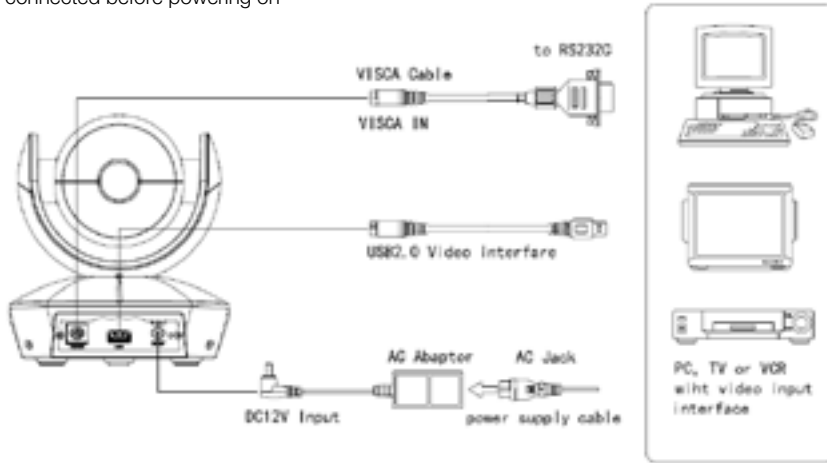


### INCLUDED IN THE BOX

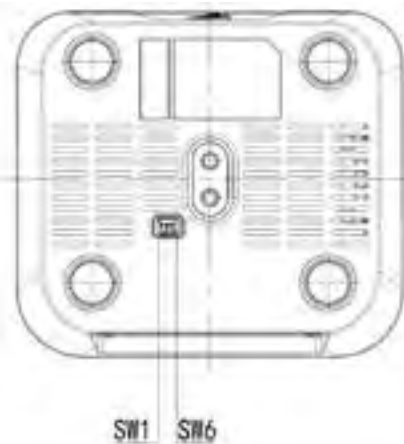
1. **Power Adapter**
2. **CV610-U2-WM - Wall Mount**
3. **Power Cable**
4. **RS232 Control Cable**
5. **USB2.0 Cable**
6. **Remote Controller (battery not included)**
7. **Main Camera**

## QUICK START

1. REMOVE Lens Cover and check all cable connections to be sure they are all firmly connected before powering on



2. Dial Switch Setting (at the bottom of the camera):



DIP Switch (ARM)			
	SW-1	SW-2	Instruction
1	OFF	OFF	Updating mode
2	ON	OFF	Debugging mode
3	OFF	ON	Undefined
4	ON	ON	Working mode

DIP Switch (IR CODE TYPE)			
	SW-3	SW-4	Instruction
1	OFF	OFF	Off(Close IR receiver)
2	ON	OFF	Undefined
3	OFF	ON	SEJIN 4PPM CODE
4	ON	ON	NEC CODE(standard)

DIP Switch (USB)			
	SW-5	SW-6	Instruction
1	OFF	OFF	Undefined
2	ON	OFF	Working mode
3	OFF	ON	Updating mode
4	ON	ON	Undefined

Note: Normal Working Mode: SW-1~5: ON, SW-6: OFF

## PRODUCT HIGHLIGHTS

- Compact, ergonomically designed housing perfect for small huddle rooms or locations
- Supports advanced Ambarella DSP, 1/2.8 inch 5MP image sensor, and high quality 10X 62.5 degree FOV optical lens, provides crystal clear image quality
- Fast switching between different video formats: less than 1 second
- 10X Optical Zoom + 12X Digital Zoom
- Fast and accurate focus performance
- Easy firmware upgrade - (field-upgradable)
- USB2.0 high speed output
- Effective RS232/485 serial control. Up to 128 presets
- Compatible with the majority of videoconferencing software (UVC1.5 protocol standard)
- Camera comes with accurate IR Remote Control unit
- IR transfer/IR pass function: excepts signals from other codec's and IR remote control signals

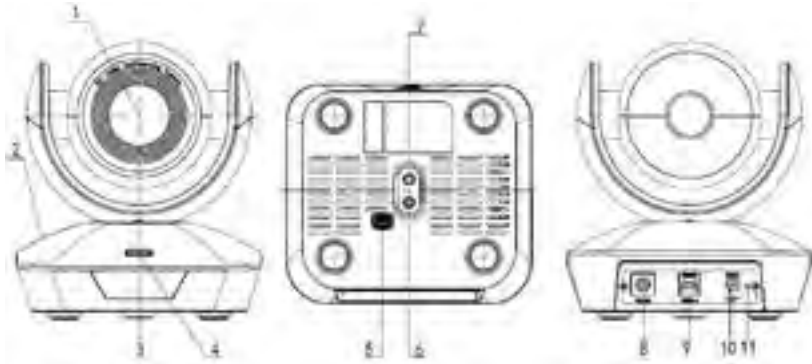
## CV610-U2 SPECIFICATIONS

<b>Video Format</b>	MJPG - 1080P30, 720P30, 640*480P30
<b>Video Port</b>	USB2.0
<b>Sensor</b>	1/2.8 inch high quality 5MP CMOS sensor
<b>Lens</b>	F4.7~47.7mm(10X), F1.8 - 14, Field of view: 62.5°(wide)-6.43°(tele)
<b>Pan/tilt Rotation</b>	Pan:±170°; Tilt:-30°~+90°, support up-side down installation
<b>Pan/tilt Speed</b>	Pan: 0.1°-120°/s; Tilt: 0.1°-80°/s
<b>Preset</b>	10 via IR remote setting, 128 via VISCA control, preset accuracy :0.1°
<b>Control Port</b>	RS232, RS485, USB2.0
<b>Min. Lux</b>	0.01lux
<b>White Balance</b>	Auto/Manual
<b>Focus</b>	Auto/Manual
<b>Iris</b>	Auto/Manual
<b>Shutter</b>	Auto/Manual
<b>WDR</b>	Supported
<b>BLC</b>	Supported
<b>2D Noise Reduction</b>	Supported
<b>3D Noise Reduction</b>	Supported
<b>Input Voltage</b>	DC12V
<b>Dimension</b>	148mmx132mmx161mm
<b>Net weight</b>	0.9KG (2LBS)

## RESOLUTION & FRAME RATE SETTINGS

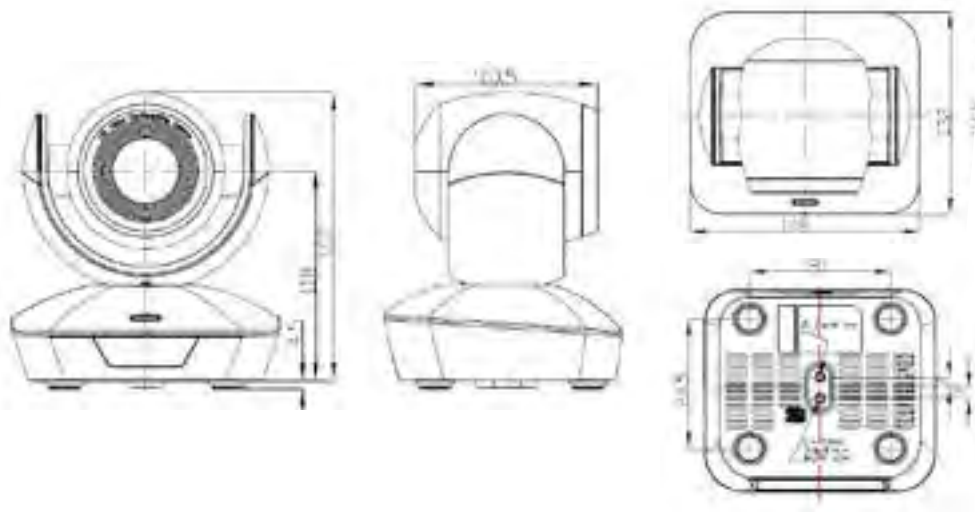
The Marshall CV610-U2 acts as a UVC command slave to Teleconference, U.C. or Video Capture Software programs that use it as a USB capture device. Once selected as an available camera, these software platforms send commands to camera as to compatible resolutions and frame rates based on bandwidth, software parameters, and/or computer capabilities. Some software platforms allow for direct adjust commands to change resolution and frame-rates, such as VLC Player and others. CV610-U2 adjusts as commanded by software platform or to nearest resolution settings available (1080p, 720p, 480p). There is no way to manually adjust resolutions and frame-rates from camera or camera OSD menu, since it relies on UVC (USB video class) commands. CV610-U2 adheres to UVC1.5 protocol standards.

CAMERA INTERFACE

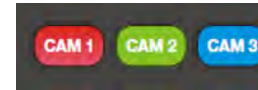


- 1. Camera Lens
- 2. Camera Base
- 3. IR Receiver Panel
- 4. Indicator Light
- 5. Dial Switch
- 6. Tripod Screw Hole
- 7. Installation Hole
- 8. RS232 (VISCA IN) Port
- 9. USB2.0 Port
- 10. DC12V Power Input
- 11. Power Indicator light (red)

CAMERA DIMENSIONS (mm)



IR REMOTE CONTROLLER



**LED Function Instruction**

Press any button and shows in red color: Current selection is to control CAM1;  
 Press any button and shows in green color: Current selection is to control CAM2;  
 Press any button and shows in blue color: Current selection is to control CAM3;

**CAM1/CAM2/CAM3:**

**Long press(3seconds) to set camera address;**  
**Short press to select camera address to control.**

**Focus: +/-**

Manual focus, only valid under manual focus mode;

**Zoom: +/-**

Control the lens zoom rate;

**Navigate : Up/Down/Left/Right**

In normal working mode, use navigate key to control pan/tilt;  
 Or enter OSD menu, use navigate key to set parameters.

**Confirm/Home button:**

In normal working mode, short press to let the camera go back to home position



**Menu Button:** Enter the OSD menu



**Number buttons**


**Set Preset:** Long press(3seconds) the number button to save preset;  
**Clear Preset:** +number button to clear the relative preset;  
 Long press(3seconds) the Clear button to clear all preset;  
 Short press 3 times to reset the lens focus;  
**Run Preset:** Short press the number button to run the relative preset.



Short press to power on or off the camera


## CV610-U2 OSD MENU EXPLAINED



1. Once camera is powered up and working, press the Menu button  on the IR remote control to enter the OSD menu (see pic.1); once changes are made press the OSD menu button again to exit and save modified parameters.



2. Use the navigate buttons (up/down/left/right) to choose which function to select. As picture 1 shows, once selection is made, the selected option will change to gray background highlight. Press the right navigate button to go to the sub menu (see pic.2).

- In the sub menu, once again press the up/down navigate buttons to scroll and select, use left/right navigate button to cycle through selection options parameters.
- Select the last option "RETURN" and press the left navigate button to get back to main menu or previous menu.
- Press OSD button  again to exit the menu.
- The following pages outline the Menu structure as it appears in OSD Menu:

<b>Camera Set</b>	LANGUAGE	Chinese/English
	PROTOCOL	VISCA/PELCO-P/PELCO-D
	ADDRESS	1-7
	BAUD RATE	2400,9600,115200
	PARITY BIT	NONE
	RETURN	Back to the main menu

<b>FOCUS</b>	FOCUS MODE	AUTO/MANUAL/PUSH
	SENSITIVITY	LOW/MID/HIGH
	FOCUS LIMIT	1.5M/2M/3M/6M/10M
	D_ZOOM	OFF/ON
	ZOOM SPEED	0-7
	LENS INIT	OFF/5K/10K/15K/20K/EXE
	DIS ZOOM RATIO	OFF/ON
	RETURN	Back to the main menu

<b>WB MODE</b>	WB MODE	ATWB/GAIN/TEMP./SOD./FL./AWB/IDR./ODR./PUSH
	B_GAIN	0-255 (Only Valid when WB MODE set to GAIN or TEMP.)
	R_GAIN	0-255 (Only Valid when WB MODE set to GAIN or TEMP.)
	RETURN	Back to the main menu

<b>EXPOSURE</b>	EXP MODE	AUTO/MANUAL/IRIS/SHUT/BRI.
	SHUT TIME	Shutter time: 1/1-1/10K (Valid when EXP MODE set to MANUAL or SHUT)
	IRIS	Iris value: 0-13 (Valid when EXP MODE set to MANUAL or IRIS)
	AGC	Gain value: 0dB-15dB (Valid when EXP MODE set to MANUAL)
	BRIGHT	Brightness value: 0-27 (Valid when EXP MODE set to BRI.)
	SLOW SHUT	OFF/ON
	FLICK	OFF/50HZ/60HZ (Valid when EXP MODE set to AUTO or IRIS)
	RETURN	Back to the main menu

<b>PICTURE</b>	BRIGHTNESS	1-15
	SHARPNESS	0-15
	CONTRAST	0-15
	SATURATION	0-14
	MIRROR	Image 180 degree rotation left/right: OFF/ON
	PIC FLIP	Image 180 degree rotation up/down: OFF/ON
	FREEZE	OFF/ON
	DEFOG	OFF/1-15
RETURN	Back to the main menu	

<b>IMAGE ENHANCE</b>	2D NR	OFF/ON
	3D NR	OFF/AUTO/ 1-4
	D_WDR	OFF/1-6
	GAMMA	0-4
	BACKLIGHT	OFF/ON
	HIGHLIGHT	OFF/ON
RETURN	Back to the main menu	

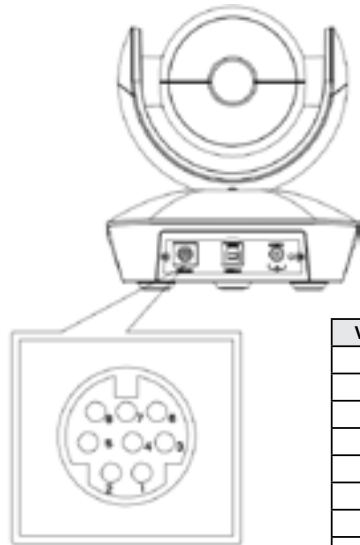
<b>MASK</b>	MASK SWITCH	ON/OFF
	COLOR	WHITE/YELLOW/GRAY/GREEN/VIOLET/RED
	INDEX	1-8
	INDEX SWITCH	OFF/ON
	ROW START	0-1919
	ROW END	1-1920
	LINE START	0-1079
	LINE END	1-1079
	RETURN	Back to the main menu

<b>D/N MODE</b>	D/N MODE	DAY/NIGHT/AUTO
	DAY TO NIGHT	15-126
	NIGHT TO DAY	5-190
	SWITCH DELAY	1-60
	GAIN LIMIT	2-511
	RETURN	Back to the main menu

<b>CAMERA INFO</b>	IMAGE VER.	PC-V0.0.6 (change without notice)
	IMAGE DATE	16.10.20 (change without notice)
	CONTROL VER.	UC V0.1.4 (change without notice)
	CONTROL DATE	17.01.07 (changes without notice)
	BAUDRATE	9600
	PARITY BIT	NONE
RETURN	Back to the main menu	

- All Button Sending Mode:** long press (3seconds) the Menu+ number "3" button simultaneously, the remote will enter all button sending mode.
- Similar operation for the TV control mode learning.

## VISCA IN (RS232) PORT



No.	Function
1	DTR
2	DSR
3	TXD
4	GND
5	RXD
6	A
7	IR OUT
8	B

VISCA IN & RS485 Connection		
Camera VISCA IN	RS485	
1	DTR	
2	DSR	
3	TXD	
4	GND	
5	RXD	
6	A(+)	TX+
7	IR OUT	
8	B(-)	TX-

VISCA IN & DB9 Connection			
Camera VISCA IN	Windows DB-9		
1	DTR	6	DSR
2	DSR	4	DTR
3	TXD	2	RXD
4	GND	5	GND
5	RXD	3	TXD
6	A(+)		
7	IR OUT		
8	B(-)		

### SERIAL PORT CONFIGURATION:

Parameter	Value	Parameter	Value
Baud rate	2400/9600/115200	Stop Bit	1bit
Start Bit	1 bit	Verify Bit	None
Date Bit	8 bit		

## VISCA PROTOCOL

### Part 1 - Camera Return Command

Ack/Completion Message		
	Command Packet	Note
ACK	z0 41 FF	Returned when the command is accepted.
Completion	z0 51 FF	Returned when the command has been executed.

Error Messages		
	Command Packet	Note
<b>Syntax Error</b>	z0 60 02 FF	Returned when the command format is different or when a command with illegal command parameters is accepted
<b>Command Not Executable</b>	z0 61 41 FF	Returned when a command cannot be executed due to current conditions. For example, when commands controlling the focus manually are received during auto focus.

### Part 2 - Camera Control Command

Command	Funnation	Command Packet	Note
<b>AddressSet</b>	Broadcast	88 30 01 FF	Address setting
<b>IF_Clear</b>	Broadcast	88 01 00 01 FF	I/F Clear
<b>CAM_Power</b>	On	8x 01 04 00 02 FF	Power ON/OFF
	Off	8x 01 04 00 03 FF	
<b>CAM_Zoom</b>	Stop	8x 01 04 07 00 FF	p = 0(low)~7(high) pqrs: Zoom Position (0(wide) ~0x4000(tele))
	Tele(Standard)	8x 01 04 07 02 FF	
	Wide(Standard)	8x 01 04 07 03 FF	
	Tele(Variable)	8x 01 04 07 2p FF	
	Wide(Variable)	8x 01 04 07 3p FF	
	Direct	8x 01 04 47 0p 0q 0r 0s FF	
<b>CAM_Focus</b>	Stop	8x 01 04 08 00 FF	pqrs: Focus Position
	Far(Standard)	8x 01 04 08 02 FF	
	Near(Standard)	8x 01 04 08 03 FF	
	Direct	8x 01 04 48 0p 0q 0r 0s FF	
	One Push AF	8x 01 04 18 01 FF	
<b>CAM_ZoomFocus</b>	Direct	8x 01 04 47 0p 0q 0r 0s 0t 0u 0v 0w FF	pqrs: Zoom Position (0(wide)~ 0x4000(tele)) tuvw: Focus Position
<b>CAM_WB</b>	Auto	8x 01 04 35 00 FF	
	Indoor	8x 01 04 35 01 FF	
	Outdoor	8x 01 04 35 02 FF	
	OnePush	8x 01 04 35 03 FF	
	Manual	8x 01 04 35 05 FF	
	Outdoor Auto	8x 01 04 35 06 FF	
	Sodium Lamp Auto	8x 01 04 35 07 FF	
	Sodium Auto	8x 01 04 35 08 FF	
<b>CAM_RGain</b>	Reset	8x 01 04 03 00 FF	Manual Control of R Gain
	Up	8x 01 04 03 02 FF	
	Down	8x 01 04 03 03 FF	
	Direct	8x 01 04 43 00 00 0p 0q FF	pq: R Gain (0~0xFF)

Part 2 - Camera Control Command

Command	Funnation	Command Packet	Note
CAM_Bgain	Reset	8x 01 04 04 00 FF	Manual Control of B Gain
	Up	8x 01 04 04 02 FF	
	Down	8x 01 04 04 03 FF	
	Direct	8x 01 04 44 00 00 0p 0q FF	pq: B Gain (0-0xFF)
CAM_AE	Full Auto	8x 01 04 39 00 FF	Automatic Exposure mode
	Manual	8x 01 04 39 03 FF	Manual Control mode
	Bright	8x 01 04 39 0D FF	Bright mode(Manual control)
CAM_Shutter	Reset	8x 01 04 0A 00 FF	Shutter Setting
	Up	8x 01 04 0A 02 FF	
	Down	8x 01 04 0A 03 FF	
	Direct	8x 01 04 4A 00 00 0p 0q FF	pq: Shutter Position (0~0x15)
CAM_Iris	Reset	8x 01 04 0B 00 FF	Iris Setting
	Up	8x 01 04 0B 02 FF	
	Down	8x 01 04 0B 03 FF	
	Direct	8x 01 04 4B 00 00 0p 0q FF	pq: Iris Position (0~ 0x11)
CAM_Gain	Reset	8x 01 04 0C 00 FF	Gain Setting
	Up	8x 01 04 0C 02 FF	
	Down	8x 01 04 0C 03 FF	
	Direct	8x 01 04 0C 00 00 0p 0q FF	pq: Gain Positon (0~0x0E)
CAM_Bright	Reset	8x 01 04 0D 00 FF	Bright Setting
	Up	8x 01 04 0D 02 FF	
	Down	8x 01 04 0D 03 FF	
	Direct	8x 01 04 4D 00 00 0p 0q FF	pq: Bright I Positon ( )
CAM_WDR	On	8x 01 04 3D 02 FF	WDR ON/OFF
	Off	8x 01 04 3D 03 FF	
	Direct	8x 01 04 D3 0p FF	pq: WDR Position (1~0x06)
CAM_BackLight	On	8x 01 04 33 02 FF	BackLight On
	Off	8x 01 04 33 03 FF	BackLight Off
CAM_Aperture	Reset	8x 01 04 02 00 FF	Aperture Control
	Up	8x 01 04 02 02 FF	
	Down	8x 01 04 02 03 FF	
	Direct	8x 01 04 42 00 00 0p 0q FF	pq: Aperture Gain (0~0x04)
CAM_Memory	Reset	8x 01 04 3F 00 0p FF	p: Memory Number (=0 to 127) Corresponds to 0 to 9 on the Remote Commander
	Set	8x 01 04 3F 01 0p FF	
	Recall	8x 01 04 3F 02 0p FF	
CAM_LR_Reverse	On	8x 01 04 61 02 FF	Image Flip Horizontal ON/OFF
	Off	8x 01 04 61 03 FF	
CAM_PictureFlip	On	8x 01 04 66 02 FF	Image Flip Vertical ON/OFF
	Off	8x 01 04 66 03 FF	
CAM_ColorGain	Direct	8x 01 04 49 00 00 00 0p FF	(0~0x0E)
CAM_2D Noise Reduction	Direct	8x 01 04 53 0p FF	0::OFF 1:ON

Command	Funnation	Command Packet	Note
CAM_3D Noise Reduction	Direct	8x 01 04 54 0p FF	0:OFF 1:AUTO 2-5: LEVEL
FLICK	50HZ	81 01 04 23 01 FF	
	60HZ	81 01 04 23 02 FF	
Freeze	Freeze On	81 01 04 62 02 FF	Freeze On Immediately
	Freeze Off	81 01 04 62 03 FF	Freeze Off Immediately
	Preset Freeze On	81 01 04 62 22 FF	Freeze On When Running Preset
	Preset Freeze Off	81 01 04 62 23 FF	Freeze Off When Running Preset
IR_Transfer	Transfer On	8x 01 06 1A 02 FF	Receive IR(remote commander) CODE from VISCA communication ON/OFF
	Transfer Off	8x 01 06 1A 03 FF	
Pan_tiltDrive	Up	8x 01 06 01 VV WW 03 01 FF	VV: Pan speed 0x01 (low speed) to 0x18 (high speed) WW: Tilt speed 0x01 (low speed) to 0x14 (high speed) YYYY: Pan Position(TBD) ZZZZ: Tilt Position(TBD)
	Down	8x 01 06 01 VV WW 03 02 FF	
	Left	8x 01 06 01 VV WW 01 03 FF	
	Right	8x 01 06 01 VV WW 02 03 FF	
	Upleft	8x 01 06 01 VV WW 01 01 FF	
	Upright	8x 01 06 01 VV WW 02 01 FF	
	DownLeft	8x 01 06 01 VV WW 01 02 FF	
	DownRight	8x 01 06 01 VV WW 02 02 FF	
	Stop	8x 01 06 01 VV WW 03 03 FF	
	AbsolutePosition	8x 01 06 02 VV WW 0Y 0Y 0Y 0Y 0Z 0Z 0Z 0Z FF	
	RelativePosition	8x 01 06 03 VV WW 0Y 0Y 0Y 0Y 0Z 0Z 0Z 0Z FF	
	Home	8x 01 06 04 FF	
	Reset	8x 01 06 05 FF	
Pan-tiltLimitSet	Set	8x 01 06 07 00 0W 0Y 0Y 0Y 0Y 0Z 0Z 0Z 0Z FF	W:1 UpRight 0:DownLeft YYYY: Pan Limit Position(TBD) ZZZZ: Tilt Limit Position(TBD)
	Clear	8x 01 06 07 01 0W 07 0F 0F 0F 07 0F 0F 0F FF	

Part 3 - Inquiry Command

Command	Command Packet	Return Packet	Note
CAM_PowerIng	8x 09 04 00 FF	y0 50 02 FF	On
		y0 50 03 FF	Off(Standby)
CAM_ZoomPosing	8x 09 04 47 FF	y0 50 0p 0q 0r 0s FF	pqrs: Zoom Position
CAM_FocusModelng	8x 09 04 38 FF	y0 50 02 FF	Auto Focus
		y0 50 03 FF	Manual Focus
CAM_FocusPosing	8x 09 04 48 FF	y0 50 0p 0q 0r 0s FF	pqrs: Focus Position

<b>CAM_WBModelng</b>	8x 09 04 35 FF	y0 50 00 FF	Auto
		y0 50 01 FF	Indoor mode
		y0 50 02 FF	Outdoor mode
		y0 50 03 FF	OnePush mode
		y0 50 04 FF	ATW
		y0 50 05 FF	Manual
<b>CAM_RGainIng</b>	8x 09 04 43 FF	y0 50 00 00 0p 0q FF	pq: R Gain
<b>CAM_BGainIng</b>	8x 09 04 44 FF	y0 50 00 00 0p 0q FF	pq: B Gain
<b>CAM_AEModelng</b>	8x 09 04 39 FF	y0 50 00 FF	Full Auto
		y0 50 03 FF	Manual
		y0 50 0A FF	Shutter priority
		y0 50 0B FF	Iris priority
		y0 50 0D FF	Bright
<b>CAM_ShutterPosIng</b>	8x 09 04 4A FF	y0 50 00 00 0p 0q FF	pq: Shutter Position
<b>CAM_IrisPosIng</b>	8x 09 04 4B FF	y0 50 00 00 0p 0q FF	pq: Iris Position
<b>CAM_GainPosIng</b>	8x 09 04 4C FF	y0 50 00 00 0p 0q FF	pq: Gain Position
<b>CAM_BrightPosIng</b>	8x 09 04 4D FF	y0 50 00 00 0p 0q FF	pq: Bright Position
<b>CAM_ExpCompModelng</b>	8x 09 04 3E FF	y0 50 02 FF	On
		y0 50 03 FF	Off
<b>CAM_ExpCompPosIng</b>	8x 09 04 4E FF	y0 50 00 00 0p 0q FF	pq: ExpComp Position
<b>CAM_ApertureIng</b>	8x 09 04 42 FF	y0 50 00 00 0p 0q FF	pq: Aperture Gain
<b>CAM_MemoryIng</b>	8x 09 04 3F FF	y0 50pp FF	pp: Memory number last operated.
<b>SYS_MenuModelng</b>	8x 09 06 06 FF	y0 50 02 FF	On
		y0 50 03 FF	Off
<b>CAM_LR_ReverseIng</b>	8x 09 04 61 FF	y0 50 02 FF	On
		y0 50 03 FF	Off
<b>CAM_PictureFlipping</b>	8x 09 04 66 FF	y0 50 02 FF	On
		y0 50 03 FF	Off
<b>CAM_IDIng</b>	8x 09 04 22 FF	y0 50 0p 0q 0r 0s FF	pqrs: Camera ID
<b>CAM_VersionIng</b>	8x 09 00 02 FF	y0 50 ab cd mn pq rs tu vw FF	
<b>IR_Transfer</b>	8x 09 06 1A FF	y0 50 02 FF	On
		y0 50 03 FF	Off
<b>Pan-tiltMaxSpeedIng</b>	8x 09 06 11 FF	y0 50 ww zz FF	ww: PanMaxSpeed zz: Tilt Max Speed
<b>Pan-tiltPosIng</b>	8x 09 06 12 FF	y0 50 0w 0w 0w 0w 0z 0z 0z 0z FF	www: PanPosition zzzz: Tilt Position

Note: (x) means the camera address; (y)=(x + 8).

**VISCA PAN / TILT ABSOLUTE POSITION VALUE**

Pan Angle	VISCA Value	Tilt Angle	VISCA Value
-170	0xF670	-30	0xFE50
-135	0xF868	0	0x0000
-90	0xFAF0	30	0x01B0
-45	0xFD78	60	0x0360
0	0x0000	90	0x510
45	0x0288		
90	0x0510		
135	0x0798		
170	0x0990		

**VISCA PAN / TILT ABSOLUTE POSITION VALUE**

Pan(degree/second)		Tilt(degree/second)	
0	0.3	0	0.3
1	1	1	1
2	1.5	2	1.5
3	2.2	3	2.2
4	2.4	4	3.6
5	2.6	5	4.7
6	2.8	6	6
7	3.0	7	8
8	3.2	8	10
9	3.4	9	12
10	3.8	10	15
11	4.5	11	18
12	6	12	23
13	9	13	30
14	15	14	39
15	19	15	48
16	25	16	59
17	32	17	69
18	38	18	80
19	45		
20	58		
21	75		
22	88		
23	105		
24	120		



		60/30mode	50/25mode			
<b>Shutter speed</b>	21	1/10000	1/10000	<b>Iris</b>	0	close
	20	1/6000	1/6000		1	F14
	19	1/4000	1/3500		2	F11
	18	1/3000	1/2500		3	F9.6
	17	1/2000	1/1750		4	F8
	16	1/1500	1/1250		5	F6.8
	15	1/1000	1/1000		6	F5.6
	14	1/725	1/600		7	F4.8
	13	1/500	1/425		8	F4
	12	1/350	1/300		9	F3.4
	11	1/250	1/215		10	F2.8
	10	1/180	1/150		11	F2.4
	9	1/125	1/120		12	F2
	8	1/100	1/100		13	F1.6
	7	1/90	1/75			
	6	1/60	1/50			
	5	1/30	1/25			
	4	1/15	1/12			
	3	1/8	1/6			
	2	1/4	1/3			
1	1/2	1/2				
0	1/1	1/1				
<b>Gain</b>	0	0dB		<b>Gain</b>	8	16dB
	1	2dB			9	18dB
	2	4dB			10	20dB
	3	6dB			11	22dB
	4	8dB			12	24dB
	5	10dB			13	26dB
	6	12dB			14	28dB
	7	14dB			15	30dB

## IR TRANSFER (IR PASS)

1. Currently the camera support NEC code format. For customization with other codes, please contact us.
2. Once the camera finish power configuration, enable the IR transfer function via sending COM command.
3. Get the targeted remote controller point to the camera IR receiver, press keys on the remote controller, then the camera will output the received IR code via VISCA IN port.
4. IR Transfer output format: XX XX XX XX FF

XX XX XX XX: Remote Controller Code

FF: End Code

5. The camera can save all setting, no need to re-set after power circle.

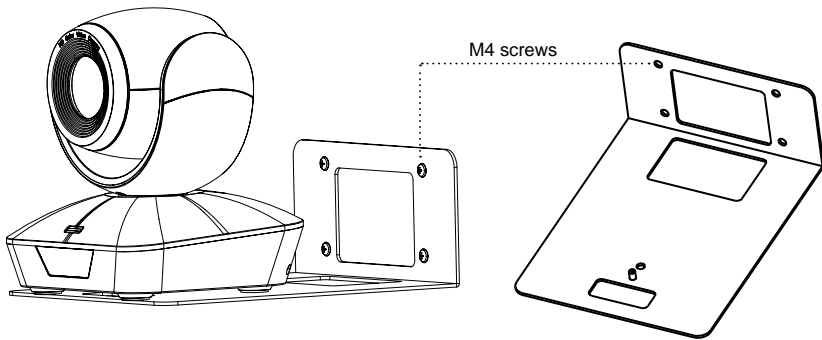
## UVC CONTROL

Control Requests		Control Selector
1	Brightness Control	PU_BRIGHTNESS_CONTROL
2	Contrast Control	PU_CONTRAST_CONTROL
3	Hue Control	PU_HUE_CONTROL
4	Saturation Control	PU_SATURATION_CONTROL
5	Sharpness Control	PU_SHARPNESS_CONTROL
6	Gamma Control	PU_GAMMA_CONTROL
7	White Balance Temperature Control	PU_WHITE_BALANCE_TEMPERATURE_CONTROL
8	Gain Control	PU_GAIN_CONTROL
9	Power Line Frequency Control	PU_POWER_LINE_FREQUENCY_CONTROL
10	Zoom (Absolute) Control	CT_ZOOM_ABSOLUTE_CONTROL
11	Zoom (Relative) Control	CT_ZOOM_RELATIVE_CONTROL
12	PanTilt (Absolute) Control	CT_PANTILT_ABSOLUTE_CONTROL
13	PanTilt (Relative) Control	CT_PANTILT_RELATIVE_CONTROL

# Wall Mount Installation

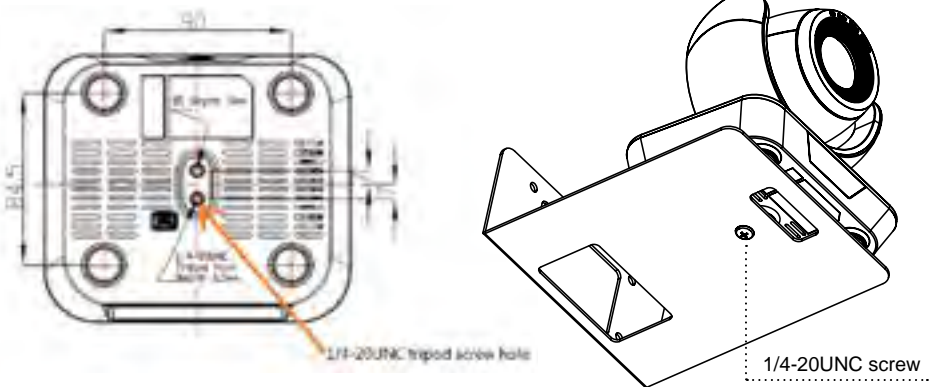
---

1. Secure the CV610-U2-WM to the wall with 4 M4 screws (included).



2. Disconnect all cables from the camera. Align the CV610-U2 camera's 1/4-20UNC tripod screw hole with the wall mount screw hole. Use the 1/4-20UNC screw (included) to secure the camera onto the wall mount. Reconnect the cables after mounting the camera.

**Note:** Do not mount the camera upside down, as the image will be displayed upside down.



## Marshall

Tel: (800) 800-6608 / (310) 333-0606 • Fax: 310-333-0688

[www.marshall-usa.com](http://www.marshall-usa.com)

[support@marshall-usa.com](mailto:support@marshall-usa.com)