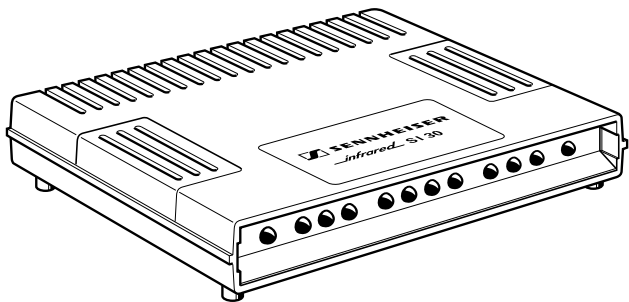
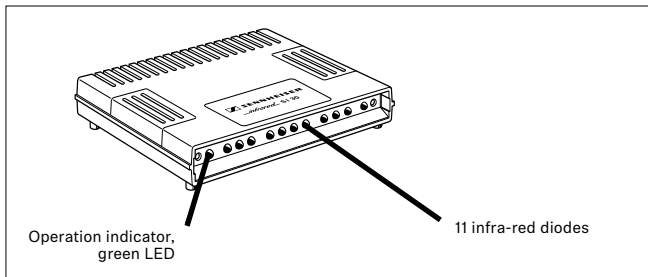


INSTRUCTIONS FOR USE

# SI 30





## BRIEF DESCRIPTION

Infra-red two-channel modulator used in conjunction with Sennheiser infra-red receivers to set up a cordless sound transmission system.

- SI 30 infra-red two-channel modulators have sufficient IR capacity to cover rooms of up to 80 m<sup>2</sup> (mono) or 40 m<sup>2</sup> (stereo).
- SI 30 infra-red two-channel modulators are an integral part of Sennheiser's modular design concepts which allow added flexibility in the setting up of cordless sound transmission systems.

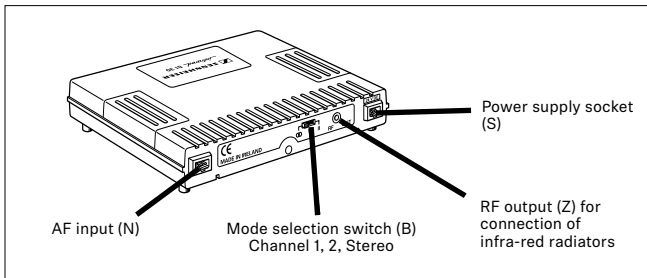
A list of available accessories comes with the SI 30.

## FEATURES

- Automatic on/off function
- Operation indicator (green LED)
- Mode selection switch for selection of carrier frequencies
- Automatic volume control
- RF output for connection of infra-red radiators

## SUITABLE INFRA-RED RECEIVERS FROM SENNHEISER

RI 150, RI 250, RI 250-J, RI 300, RI 500, RI 250-S, HDI 302, HDI 380



## INSTALLATION

- Position the modulator as high as possible (eye-level). Make sure that the diodes point at the receivers.
- Do not cover the diodes! Do not obstruct the path of the light between the modulator and the receiver.

## MAINS CONNECTION

Connect the NT 20 plug-in mains unit to the mains. Plug the cable into power supply socket (S) on the SI 30. Pay attention to the correct direction of the plug.

## AF CONNECTION

Use the AF connection cable to connect the AF input (N) on the SI 30 to the headphone socket of the sound source.

Please contact your nearest dealer if your sound source has no 3.5 mm or 6.3 mm socket.

## RF OUTPUT FOR CONNECTION OF INFRA-RED RADIATORS

Connect SZI 1029, SZI 1015 or SZI 30 infra-red radiators to provide sufficient IR capacity for larger rooms. The SZI 1029, SZI 1015 and SZI 30 connect to the 3.5 mm mono jack socket (Z) on the SI 30 modulator (please see list of available accessories).

## ADJUSTMENTS ON YOUR SOUND SOURCE

Set the volume of your sound source to a medium value.

### NOTE

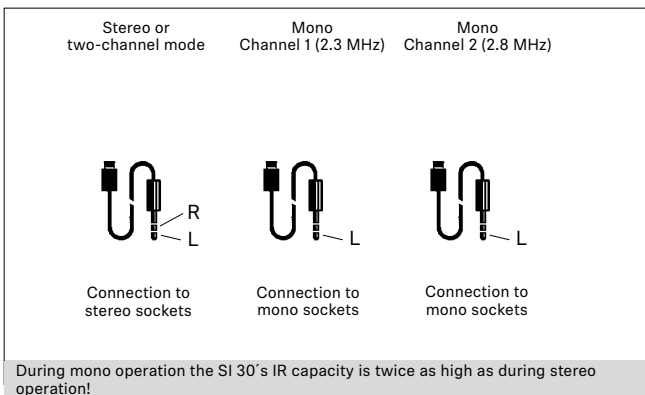
Some modern television sets have a separate volume control the headphone socket. Please refer to the instruction manual of your television set.

Although the socket for the connection of a tape recorder (e.g. on the amplifier of a PA system) cannot be regulated, it usually delivers a signal voltage which is sufficient to operate the SI 30 modulator.

## MODE SELECTION SWITCH

### CHANNEL 1, 2, STEREO/SELECTION OF THE CARRIER FREQUENCY

The mode selection switch (B) at the rear of the SI 30 serves to select the infra-red carrier frequency. Please note that in mono mode only the tip of the stereo jack plug is used (see diagram):



## ON/OFF SWITCH

The SI 30 modulator and the NT 20 plug-in mains unit have no ON/OFF switch. The green LED at the front of the SI 30 indicates that the modulator is ready for operation.

In standby mode, the SI 30's current consumption is very low. However, unplug the mains unit when you are not going to use the SI 30 for some time.

## AUTOMATIC ON/OFF FUNCTION

The SI 30 features a convenient automatic on/off function. When an audio signal reaches the modulator, it is switched on (L 1 lights up). If there is no audio signal for about 3 to 4 minutes, the modulator automatically switches off.

The automatic on/off function depends on a certain threshold voltage. If the signal voltage falls below this threshold, the modulator auto-matically switches off after 3 minutes (L 1 goes off). In this case, increase the volume on your sound source (please see paragraph "Adjustments on your sound source").

## DELIVERY INCLUDES

- 1 SI 30 modulator
- 1 AF connection cable with 3.5 mm mono jack plug
- 1 3.5 mm / 1/4" jack adaptor

## ACCESSORIES (to be ordered separately)

- Please see list of available accessories
- 1 NT 20 plug-in mains unit (120 V, 230 V or 240 V) for powering the SI 30 or for powering the SI 30 in conjunction with SZI 30 infra-red radiators.

## TECHNICAL DATA

Mode selection switch:	I mono channel 1 II mono channel 2 ∞ stereo channel 1+2
Modulation	FM
Carrier frequencies	channel 1: 2.3 MHz channel 2: 2.8 MHz
Nominal deviation	± 50 kHz
Emitting diodes	11
Pre-emphasis	50 µs
Audio frequency response	30 - 18,000 Hz
THD (1 kHz and nominal deviation)	≤ 1 %
Signal-to-noise ratio	≥ 74 dBA <sub>rms</sub> ≥ 63 dB as per CCIR 468
Volume control	automatic
AF connection	3.5 mm ø jack plug with adaptor to 1/4" (6.3 mm)
RF output for connection of infra-red radiators	3.5 mm mono jack socket
Input voltage for nominal deviation	45 mV- 4 V
Automatic on/off function	yes
Input voltage for automatic on/off function	> 45 mV
Operation indicator	green LED
Operating voltage	24 - 27 V DC
Current consumption	180 mA
Power consumption (standby)	approx. 3.5 VA
Dimensions	approx. 118 x 25 x 90 mm
Weight	approx. 140 g

Subject to alterations. Errors and omissions excepted.



Sennheiser electronic GmbH & Co. KG  
30900 Wedemark, Germany  
Phone: +49 ( 5130) 600 0  
Fax: +49 (5130) 600 300

Printed in Germany

Publ. 76141

03/05 A02