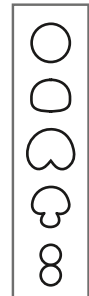




▶ U 89 i

U 89 i



Instruction manual | Bedienungsanleitung | Notice d'emploi | Istruzioni per l'uso | Instrucciones de manejo | Manual de instruções | Gebruiksaanwijzing | Instrukcja obsługi | Bruksanvisning | Betjeningsvejledning | Käyttöohje | Οδηγίες λειτουργίας | Kullanım kılavuzu | Инструкция по эксплуатации | 使用说明书 | 取扱説明書 | 사용 설명서 |

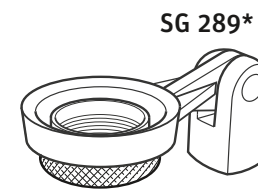
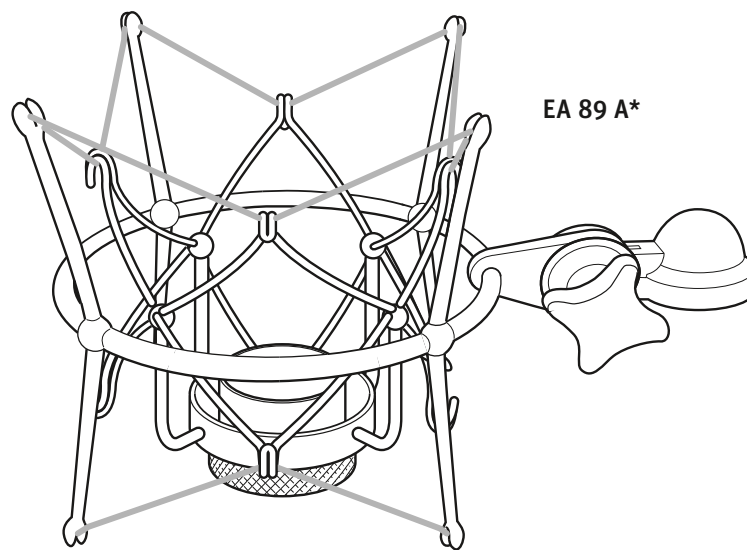
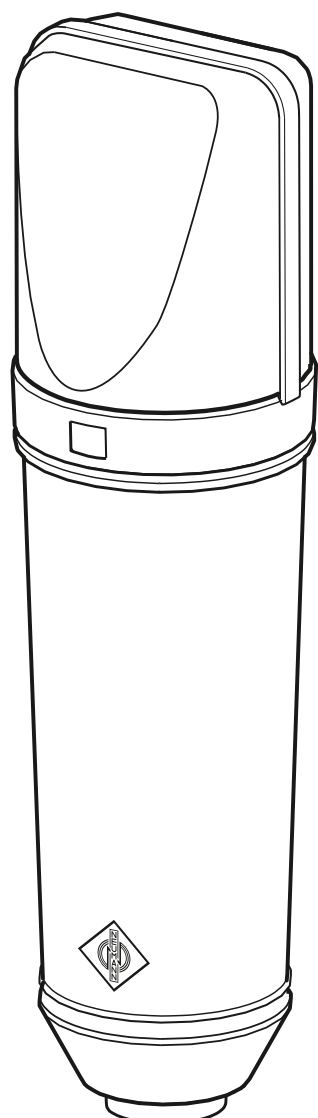
www.neumann.com | U 89 i



PUBL. 06/18 · 578654/A01

Quick Guide
Kurzanleitung
Guide rapide
Guida rapida
Guía de inicio rápido
Pikaohje
Γρήγορος οδηγός
Kısa Kılavuz
Краткая инструкция

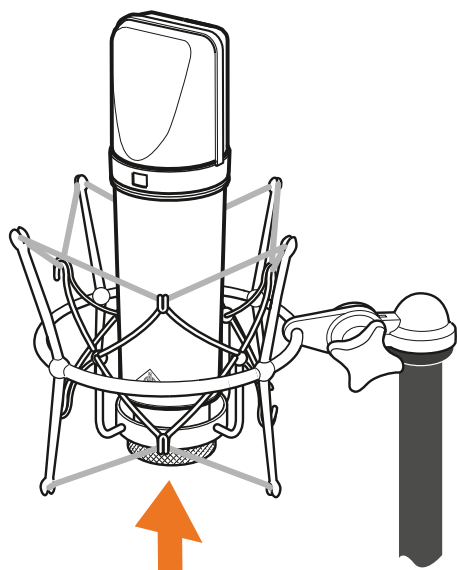
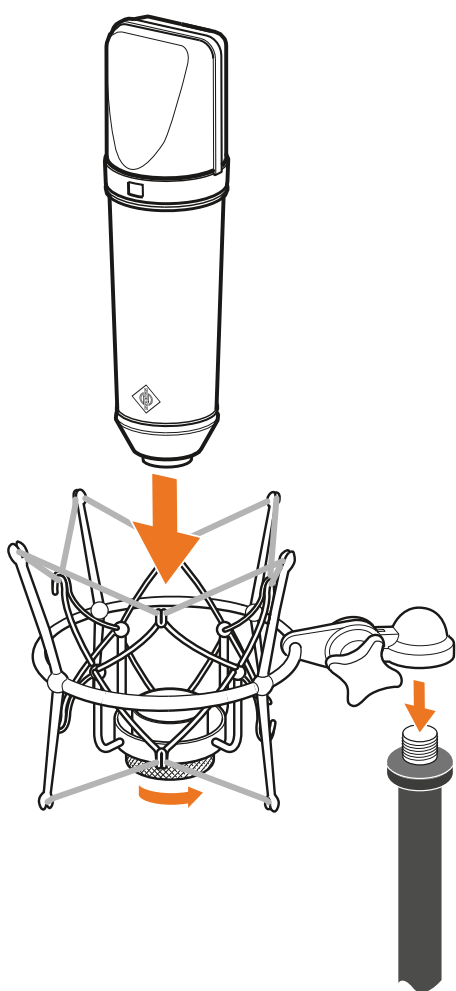
Guia rápido
Beknopte handleiding
Krótka instrukcja obsługi
Snabbguide
Kort vejledning
快速指南
クイックガイド
퀵 가이드



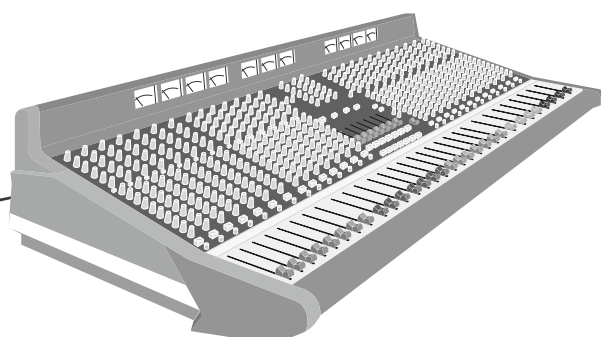
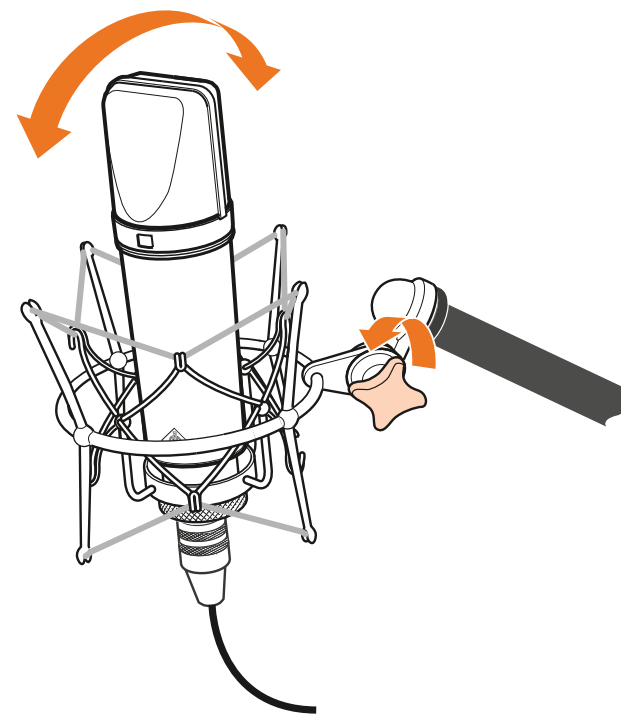
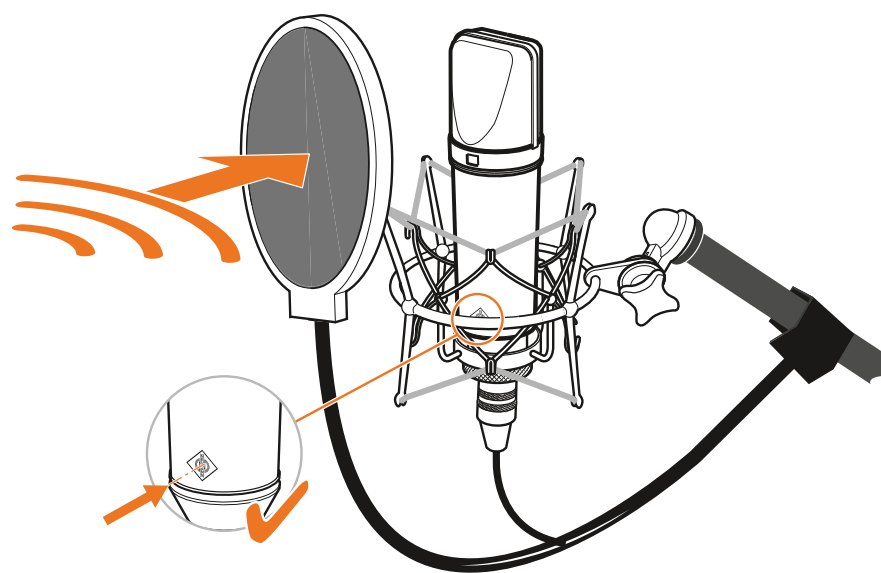
GEORG NEUMANN GMBH · LEIPZIGER STR. 112 · 10117 BERLIN · GERMANY
TEL +49 (0)30 / 41 77 24 -0 · FAX -50
HEADOFFICE@NEUMANN.COM · WWW.NEUMANN.COM

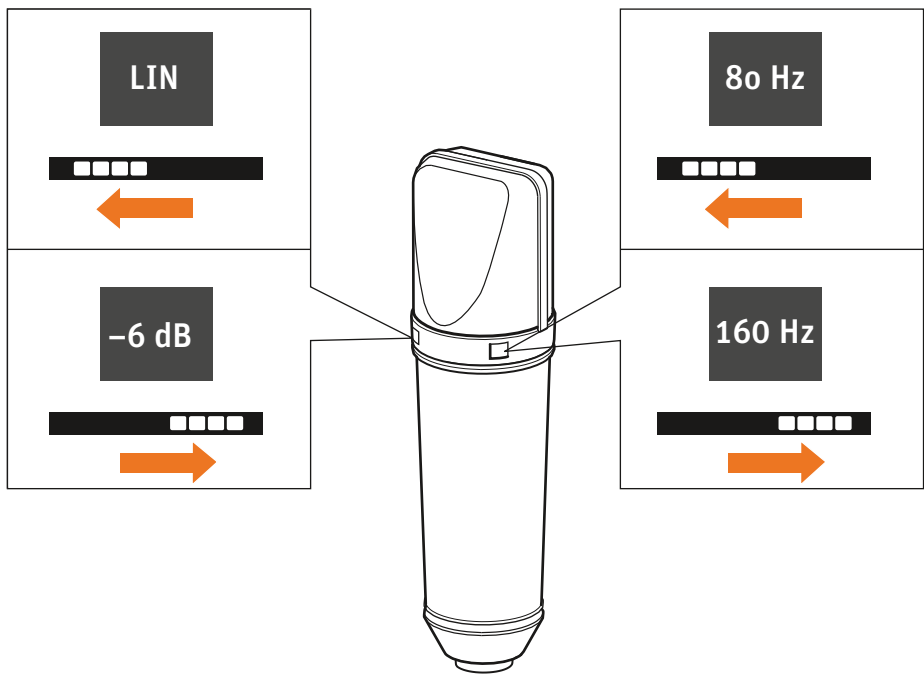
*optional accessory
(for details on further optional accessories see www.neumann.com)

U 89 i & EA 89 A



XLR-3





Specifications	
Acoustic operating principle	Pressure gradient transducer
Directional pattern	Omni, wide angle cardioid, cardioid, hypercardioid, figure 8
Frequency range	20 Hz - 20 kHz
Sensitivity at 1 kHz into 1 kΩ	8 mV/Pa \approx -42 dBV \pm 1 dB
Rated impedance	150 Ω
Rated load impedance	1000 Ω
Signal-to-noise ratio, CCIR ¹⁾ (rel. 94 dB SPL)	66 dB
Signal-to-noise ratio, A-weighted ¹⁾ (rel. 94 dB SPL)	77 dB
Equivalent noise level, CCIR ¹⁾	28 dB
Equivalent noise level, A-weighted ¹⁾	17 dB-A
Maximum SPL for THD \leq 0.5% ²⁾	134 dB
Maximum SPL for THD \leq 0.5 % with pre-attenuation ²⁾	140 dB
Maximum output voltage	+0.3 dBu
Supply voltage (P48, IEC 61938)	48 V \pm 4 V
Current consumption (P48, IEC 61938)	0.8 mA
Matching connector	XLR3F
Weight	400 g
Dimensions (diameter / length)	\varnothing 46 mm / 185 mm
Operating temperature range	0 °C - +70 °C (32 °F - 158 °F)
Storage temperature range	-20 °C - +70 °C (-4 °F - 158 °F)
Humidity range	max. 90 % at +20 °C

¹⁾ accord. to IEC 60268-1; CCIR-weighting accord. to CCIR 468-3, quasi peak; A-weighting accord. to IEC 61672-1, RMS ²⁾ measured as equivalent el. input signal

