



Scan for full manual

## RTBUS-24 Quick Start Guide

This guide helps you install and use your RTBUS-24 for the first time.

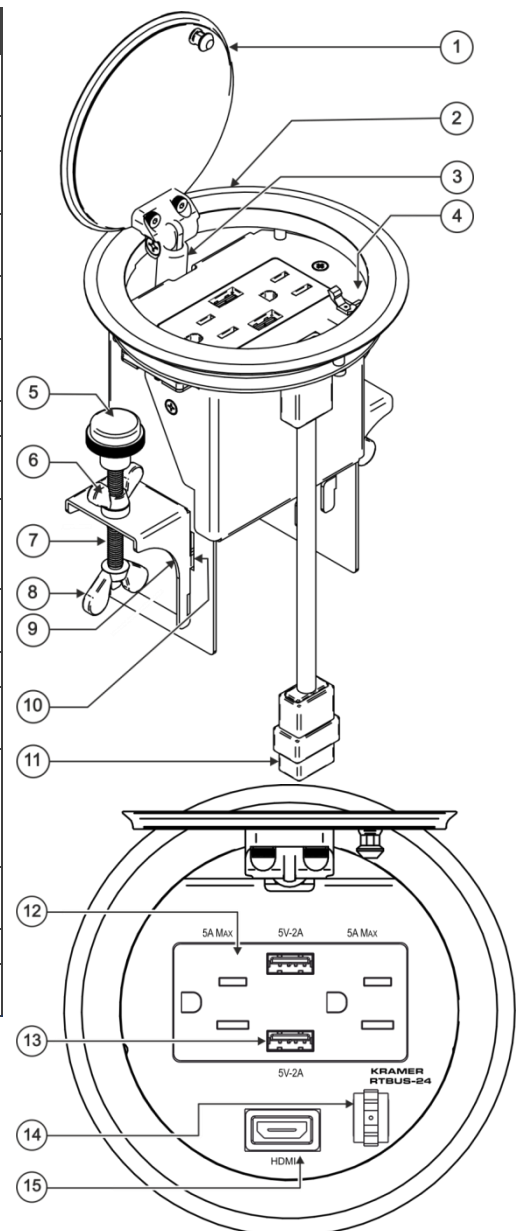
Go to [www.kramerav.com/manual/RTBUS-24](http://www.kramerav.com/manual/RTBUS-24) to download the latest user manual

### Step 1: Check What's in the Box

- ✔ RTBUS-24 Round Table Connection Bus
- ✔ 1 Clamps set
- ✔ 1 User manual
- ✔ 1 Quick start guide

### Step 2: Get to know your RTBUS-24

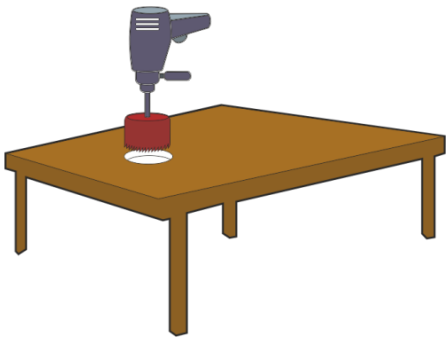
#	Feature	Function
1	Pop-up Lid	Covers the connecting surface, leaving the table surface neat and tidy.
2	Outer Rim	Fits over a table surface.
3	Pneumatic Mechanism	Enables automatic lifting and smooth closing of the lid.
4	Connecting Surface	See items 12 to 15 for a detailed description of the connecting surface.
5	Rubber Protectors (x2)	Protect the table surface when mounting the unit.
6	Locking Butterfly Nuts (x2)	Tighten to lock the mounting butterfly screw.
7	Mounting Screws (x2)	For securing the RTBUS-24 to the table.
8	Mounting Butterfly Nuts (x2)	Tighten to secure the unit to the table surface.
9	Mounting Brackets (x2)	Place in the bracket slits after inserting the enclosure into the table, for securing the unit to the table surface.
10	Mounting Bracket Slits (two slits on each side)	Insert the mounting brackets to the slits when installing the RTBUS-24.
11	HDMI Cable	Connect to an HDMI acceptor.
12	5A/125V Power Connector (x2)	Connect to up to two US power consuming devices simultaneously.  <div style="display: flex; align-items: center;"> <p>When a single power socket is connected, consumption should not exceed 5A. When both power sockets are connected, the total consumption should not exceed 6A.</p> </div>
13	5V-2A USB CHARGING Port (x2)	Use to charge up to two devices simultaneously.
14	Lid Latch	For safely closing the lid.
15	HDMI Connector	Connect to an HDMI source.



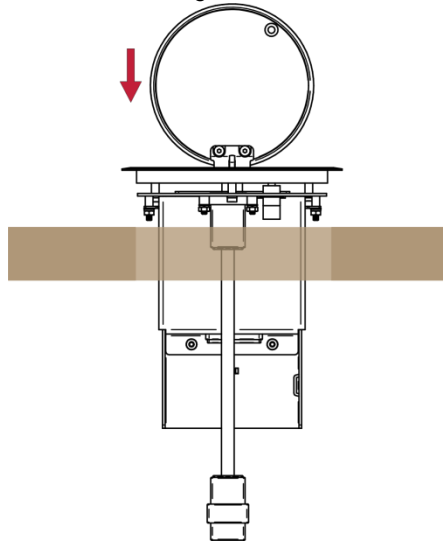
## Step 3: Install the RTBUS-24

To mount the unit, follow these steps:

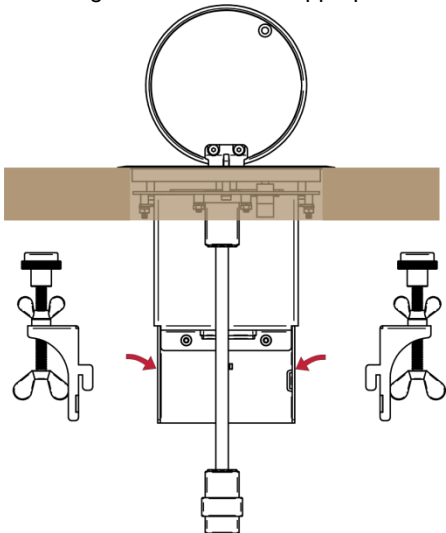
**A:** Using any standard cup bit drill with a diameter ranging from 111mm to 114mm (4.37" to 4.49"), drill a hole in the table in the desired location.



**B:** Insert the **RTBUS-24** into the hole cut into the table making sure the outer rim is firm against the surface of the table.

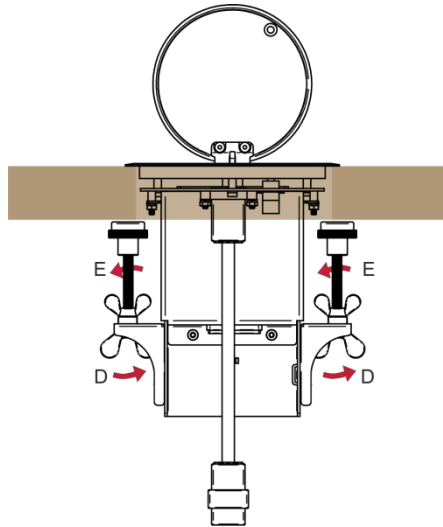


**C:** From underneath the table, slide the mounting brackets into the appropriate slots.



**D:** Tighten the butterfly mounting screws securely upward against the table.

**E:** Lock the mounting screws into position with the locking butterfly screws.



**F:** Connect the cables:  
Connect devices to the surface.  
Connect the HDMI connector on the underside to an HDMI acceptor.  
Connect the power cable on the underside to a power source and plug it into the mains electricity.

### Safety Instructions



- Caution:** There are no operator serviceable parts inside the unit.
- Warning:** Use only the power cord that is supplied with the unit.
- Warning:** Do not open the unit. High voltages can cause electrical shock! Servicing by qualified personnel only.
- Warning:** Disconnect the power and unplug the unit from the wall before installing.

See [www.KramerAV.com](http://www.KramerAV.com) for updated safety information.

