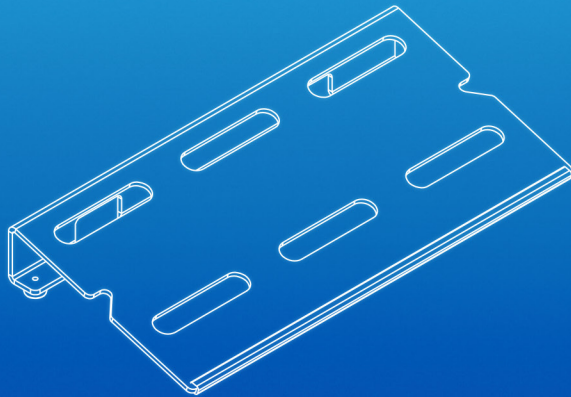
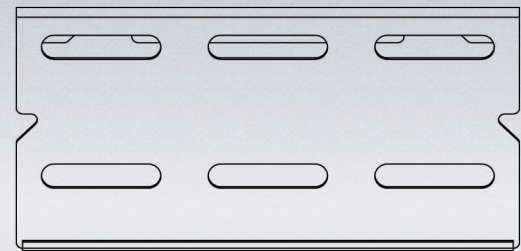
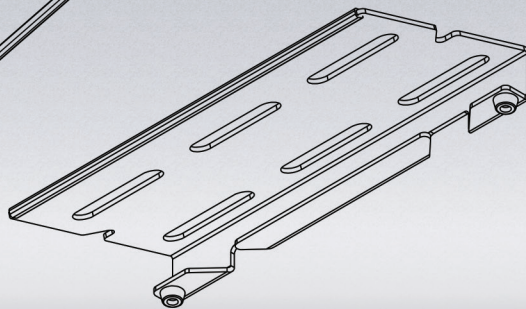
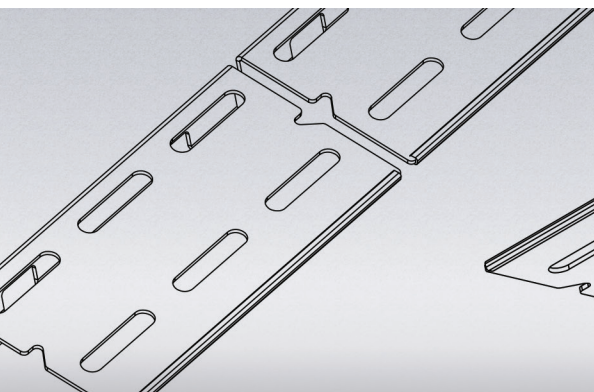


Apex One Attachable Pedalboard AX-1-PB



When we were dreaming up the new Apex One, we reviewed years of user feedback and made a point of making more room for pedals on the floor. The we thought “why stop there?” We thought keyboardists should have a pedalboard that fit their rig, so we made the AX-1-PB. The AX-1-PB is a folded aluminum design pedalboard in small format, with cutouts along the bottom specially designed to set it snugly over the support legs of your Apex One. Whether you prefer your pedals to the right or to the left, the cutouts will make placement easy, and the rubber feet along the back will ensure your pedals stay where you put them. Why should the guitarists have all the fun? The AX-1-PB is just one more way the Apex One has been made to go wherever your music takes you.



Versatile Placement

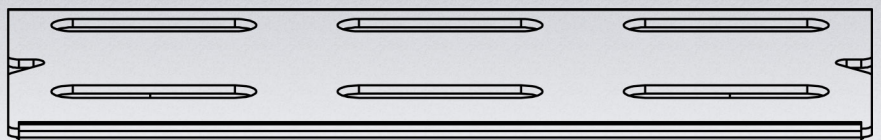
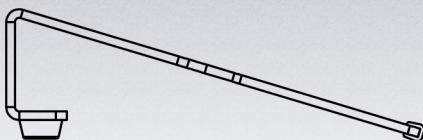
Cutouts in two directions along the underside of the pedalboard allow for easy placement on either side of your Apex One.

Stays in Place

Secured by the cutouts and rubber feet along the back, the AX-1-PB makes sure your pedals stay where you put them.

Surface Area

Featuring a 15.75" x 7.62" surface area, the AX-1-PB can fit 3-4 standard sized pedals comfortably. If you need more room for pedals, a single Apex One can fit two pedalboards by design.



Angled

The 17° angle of the AX-1-PB places your pedals at a comfortable angle for ease of use, whether you're stomping on pedals or trying to read the display.

Apex One Pedalboard Specs

- Part Name: AX-1-PB
- Part Number: 18561
- Height: 2.33"
- Width: 15.75"
- Depth: 7.62"
- Weight: 2.21 lbs.