

MOTOR FADER MF60T

Set of 5 High-Performance 60 mm
Motor Faders for MOTÖR Keyboards Series



- Motorized 60 mm Fader for MOTÖR keyboards series
- High-endurance up to 300,000 cycle lifetime
- Premium quality wiper fingers made from phosphor bronze with silver-coating
- High-quality belt and gear for fast and smooth operation
- High-precision 10 kΩ linear resistive track
- Long-life, industry-proven Mabuchi* motor
- 3-Year Warranty Program*
- Designed and engineered by Behringer in Germany

All electro-mechanical parts eventually wear down, and that holds true for the motorized faders in our MOTÖR keyboards – they undergo the wear and tear of heavy use. The MF60T is the same motorized 60 mm fader that came in your MOTÖR 61 or MOTÖR 49, making it the ideal replacement part for maintaining like-new functionality. The MF60T will extend the lifespan of your MOTÖR keyboard for many more years of the flawless performance you've come to rely on.



300,000 Cycle Lifespan

Designed to provide flawless performance for up to 300,000 cycles, the MF60T features premium silver-coated phosphor bronze wiper fingers that float gently on the surface of a high-precision 10 kΩ linear resistive track – for the ultimate in longevity and accuracy.

MOTOR FADER MF60T

Set of 5 High-Performance 60 mm
Motor Faders for MOTÖR Keyboards Series



Legendary Mabuchi* Drive Motor

The Mabuchi drive motor used in the MF60T is recognized by professional engineers the world over as being ultra-responsive, quiet and long-lived. Adding to the quiet operation of the motor, the nylon gear and belt that moves the wiper assembly is crafted of the highest-quality nylon for fast, smooth performance and long-term reliability.

Available from your local [BEHRINGER](#) dealer, the MF60T MOTOR FADER is and can be installed quickly as part of your scheduled periodic maintenance.

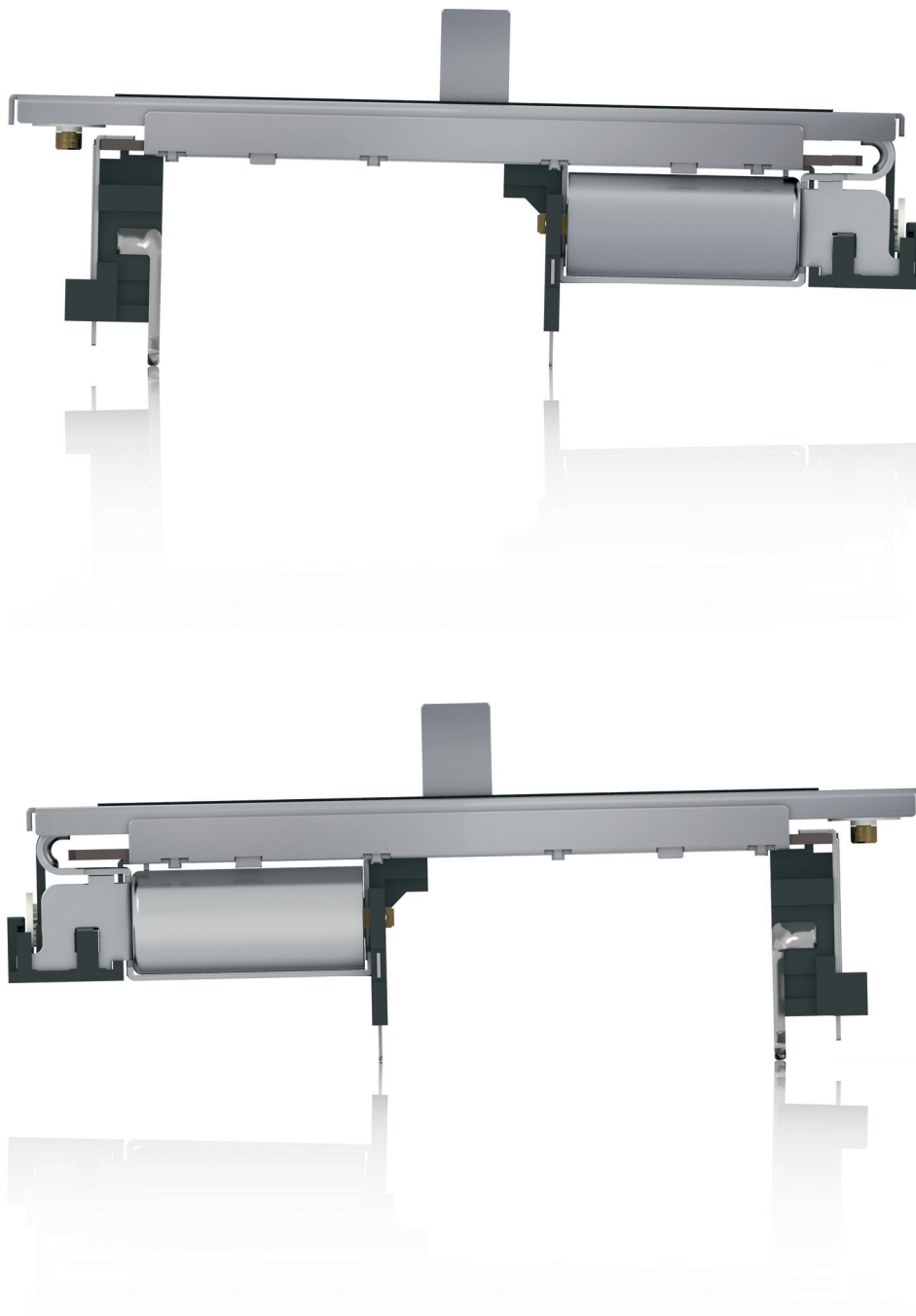


You Are Covered

We always strive to provide the best possible Customer Experience. Our products are made in our own [MUSIC Group](#) factory using state-of-the-art automation, enhanced production workflows and quality assurance labs with the most sophisticated test equipment available in the world. As a result, we have one of the lowest product failure rates in the industry, and we confidently back it up with a generous [3-Year Warranty program](#).

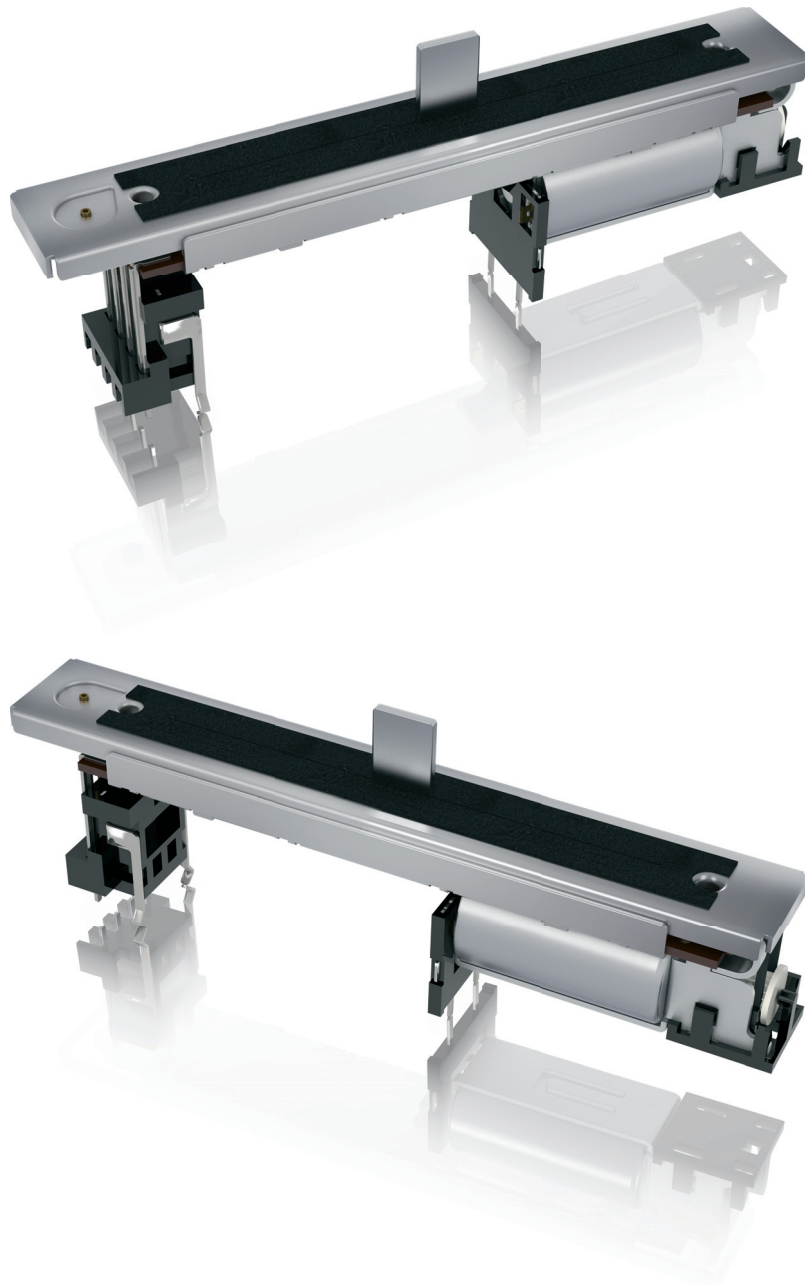
MOTOR FADER MF60T

Set of 5 High-Performance 60 mm
Motor Faders for MOTÖR Keyboards Series



MOTOR FADER MF60T

Set of 5 High-Performance 60 mm
Motor Faders for MOTÖR Keyboards Series



For service, support or more information contact the BEHRINGER location nearest you:

Europe
MUSIC Group Services UK
Tel: +44 156 273 2290
Email: CARE@music-group.com

USA/Canada
MUSIC Group Services NV Inc.
Tel: +1 702 800 8290
Email: CARE@music-group.com

Japan
MUSIC Group Services JP K.K.
Tel: +81 3 6231 0454
Email: CARE@music-group.com

MUSIC Group accepts no liability for any loss which may be suffered by any person who relies either wholly or in part upon any description, photograph, or statement contained herein. Technical specifications, appearances and other information are subject to change without notice. All trademarks are the property of their respective owners. MIDAS, KLARK TEKNIK, LAB GRUPPEN, LAKE, TANNÖY, TURBOSOUND, TC ELECTRONIC, TC HELICON, BEHRINGER, BUGERA and DDA are trademarks or registered trademarks of MUSIC Group IP Ltd.
© MUSIC Group IP Ltd. 2016 All rights reserved.