

blizzard lighting tm



Blizzard Lighting, LLC
www.blizzardlighting.com
Waukesha, WI USA
Copyright (c) 2016

TABLE OF CONTENTS

Pixellicious™	1
1. Getting Started	3
What's In The Box?	3
Getting It Out Of The Box	3
Powering Up!	3
Getting A Hold Of Us	3
Safety Instructions (Don't Stick Your Hand In The Toaster!)	4
2. Meet Pixellicious™	5
Main Features	5
DMX Quick Reference	5
The Pixellicious™ Pin-up Picture	6
Rear Connections	6
3. Setup	7
Fuse Replacement	7
Clear/Frost Filter Installation	7
Data/DMX Cables	7
Cable Connectors	8
Mounting & Rigging	8
Series Attachment	8
Fixture Linking (Master/Slave Mode)	9
Mounting & Rigging	9
Transverse Mounting	9
Vertical Mounting	9
4. Operating Adjustments	10
Navigating The Control Panel	11
Control Panel Menu Structure	11
DMX Mode	11
Master/Slave Mode	11
Extended View Mode	11
Sound Active Mode	11
Standalone (Program) Mode	11
DMX Channel Values In-Depth	12
Troubleshooting	14
Dimensional Drawings	17
5. Appendix	15
A Quick DMX Lesson	15
Art-net™ Protocol	15
ArKaos Kling-Net™	15
Keeping Your Pixellicious™ As Good As New	16
Returns (Gasp!)	16
Shipping Issues	16
Tech Specs	17

1. GETTING STARTED

What's In The Box?

- 1 x Pixellicious™ Professional LED Fixture
- 1 x Clear Filter
- An Ever-So-Handy Power Cord
- This Lovely User Manual

Getting It Out Of The Box

Congratulations on your purchase of the Pixellicious™ 4x40 pixel mapping LED fixture. So, now that you've got your Pixellicious™ (*or hopefully, Pixelliciouses*), you should carefully unpack the box and check the contents to ensure that all parts are present and in good condition. If anything looks as if it has been damaged in transit, notify the shipper immediately and keep the packing material for inspection. Again, please save the carton and all packing materials. If a fixture must be returned to the factory, it is important that the fixture be returned in the original factory box and packing.

Powering Up!

All fixtures must be powered directly off a switched circuit and **cannot be run off a rheostat (variable resistor) or dimmer circuit, even if the rheostat or dimmer channel is used solely for a 0% to 100% switch.**

AC Voltage Switch - Not all fixtures have a voltage select switch, so please verify that the fixture you receive is suitable for your local power supply. See the label on the fixture or refer to the fixture's specifications chart for more information. A fixture's listed current rating is its average current draw under normal conditions. Check the fixture or device carefully to make sure that if a voltage selection switch exists that it is set to the correct line voltage you will use.

Warning! Verify that the voltage select switch on your unit matches the line voltage applied. Damage to your fixture may result if the line voltage applied does not match the voltage indicated on the voltage selector switch. All fixtures must be connected to circuits with a suitable Ground (Earthing).

Getting A Hold Of Us

If something is wrong, please just visit our website at www.blizzardlighting.com/support and open a support ticket. We'll be happy to help, honest.

Disclaimer: The information and specifications contained in this document are subject to change without notice. Blizzard Lighting™ assumes no responsibility or liability for any errors or omissions that may appear in this user manual. Blizzard Lighting™ reserves the right to update the existing document or to create a new document to correct any errors or omissions at any time. You can download the latest version of this document from www.blizzardlighting.com.

Author:	Date:	Last Edited:	Date:
J. Thomas	1/19/2014	J. Thomas	9/1/2016

SAFETY INSTRUCTIONS



Please read these instructions carefully. They include important information about the installation, usage and maintenance of this product.

- Please keep this User Guide for future use. If you sell the unit to someone else, be sure that they also receive this User Guide.
- ALWAYS make sure that you are connecting to the proper voltage, and that the line voltage you are connecting to is not higher than that stated on the decal or rear panel of the fixture.
- This product is intended for indoor use only.
- To prevent risk of fire or shock, do not expose fixture to rain or moisture.
- Make sure there are no flammable materials close to the unit while operating.
- The unit must be installed in a location with adequate ventilation, at least 20in (50cm) from adjacent surfaces. Be sure that no ventilation slots are blocked.
- ALWAYS disconnect from the power source before servicing or replacing fuse and be sure to replace with same fuse size and type.
- ALWAYS secure fixture using a safety chain. NEVER carry the fixture by its cord. Use its carrying handles.
- DO NOT operate at ambient temperatures higher than 104°F (40°C).
- In the event of a serious operating problem, stop using the unit immediately. NEVER try to repair the unit by yourself. Repairs carried out by unskilled people can lead to damage or malfunction. Please contact the nearest authorized technical assistance center. Always use the same type spare parts.
- NEVER connect the device to a dimmer pack.
- Make sure the power cord is never crimped or damaged.
- Never disconnect the power cord by pulling or tugging on the cord.
- Avoid direct eye exposure to the light source while it is on.

Caution! There are no user serviceable parts inside the unit. Do not open the housing or attempt any repairs yourself. In the unlikely event your unit may require service, please visit www.blizzardlighting.com/support to request support via our online support ticket system.

2. MEET THE PIXELLICIOUS™ LED FIXTURE

MAIN FEATURES

- Easy-to-use pixel mapping and video one-meter bar
- 160* (tri-color) SMD 5050 LEDs, 50,000 hours
- Control each using Art-Net™ (3.0 compliant) or ArKaos Kling-Net
- Works great with ArKaos Media Master Express for easy plug-n-play
- Create vertical effects with hardware linking system
- Wide viewing angle and excellent color rendering
- 29 built-in programs, auto (mix) mode + sound active
- Link up to four in-lines with network cables or create vertical effects with hardware linking system
- Easily manage configuration and software updates with the network-based remote web server

ADDITIONAL FEATURES

- High-performance fanless convection cooling
- Mounting bracket with dual locking knobs for positioning flexibility
- RJ45 Ethernet in/out data connections
- 3/5-pin male input and 3/5-pin female output
- PowerCon™ compatible AC power In/Out connectors

DMX Quick Reference - 8/35 Channel Modes

Channel	8-Channel	35-Channel
1	Dimmer	Dimmer
2	Strobe	Strobe
3	Red Intensity	Red Section 1
4	Green Intensity	Green Section 1
5	Blue Intensity	Blue Section 1
6	Auto Programs 1-15	Red Section 2
7	Auto Programs 16-29	Green Section 2
8	Speed (slow <-> fast)	Blue Section 2
9-32	---	R/G/B Sections 3-10
33	---	Auto Programs 1-15
34	---	Auto Programs 16-29
35	---	Speed (slow <-> fast)

DMX Quick Reference - 480-Channel Mode

Channel	480-Channel
1	LED 1 - Red Intensity
2	LED 1 - Green Intensity
3	LED 1 - Blue Intensity
4-480	Individual R/G/B LED Control (2-160)

Figure 1: The Pixellicious™ Pin-Up Picture

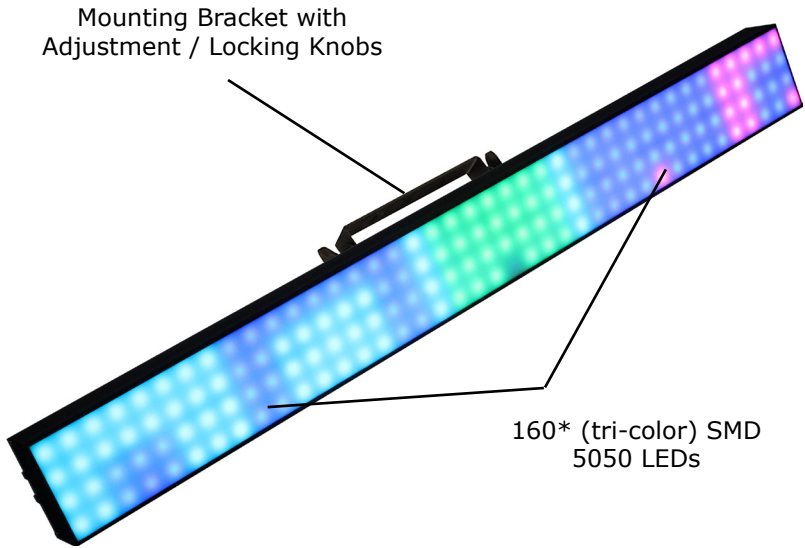
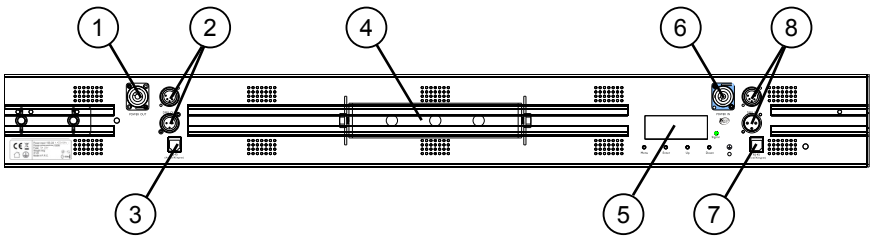


Figure 2: The Rear Connections



1. Power Out	3. RJ45 Out	5. LCD Menu	7. RJ45 In
2. DMX 3/5-Pin Out	4. Hanging Bracket	6. RJ45 In	8. DMX 3/5-Pin In

3. SETUP

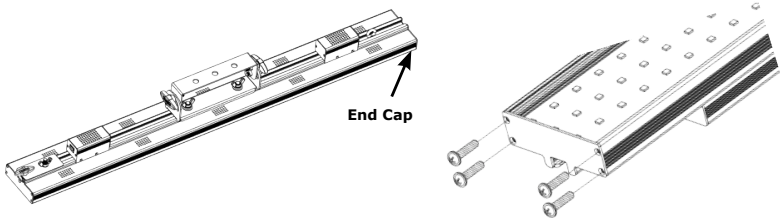
Fuse Replacement

CAUTION! This fixture utilizes a high-output switch-mode power supply with an internal fuse. Under normal operating conditions, the fuse should not require replacement. Should your Pixellicious™ fuse require replacement, please contact Blizzard Lighting for instructions, or to return your unit for service.

Clear/Frost Filter Installation:

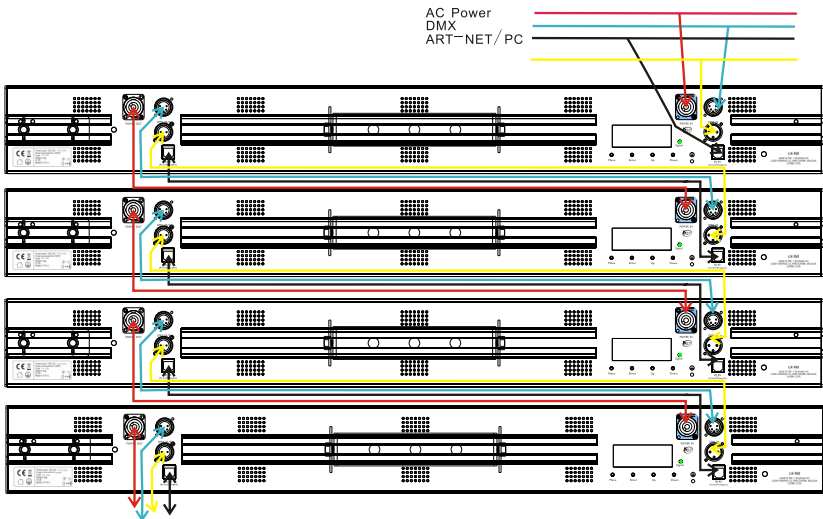
The Pixellicious™ includes a frost filter already installed. Follow the procedure below to install the clear filter.

1. Locate the end cap of the product that does not have the connecting hardware.
2. Remove the 4 screws from the end cap of the product.
3. Remove/install filter (*frost filter with the shiny side facing toward the LEDs*).
4. Re-install the end cap.



Data/DMX Cabling

To link fixtures together you'll need data cables. You should use data-grade cables that can carry a high quality signal and are less prone to electromagnetic interference.



Mounting & Rigging

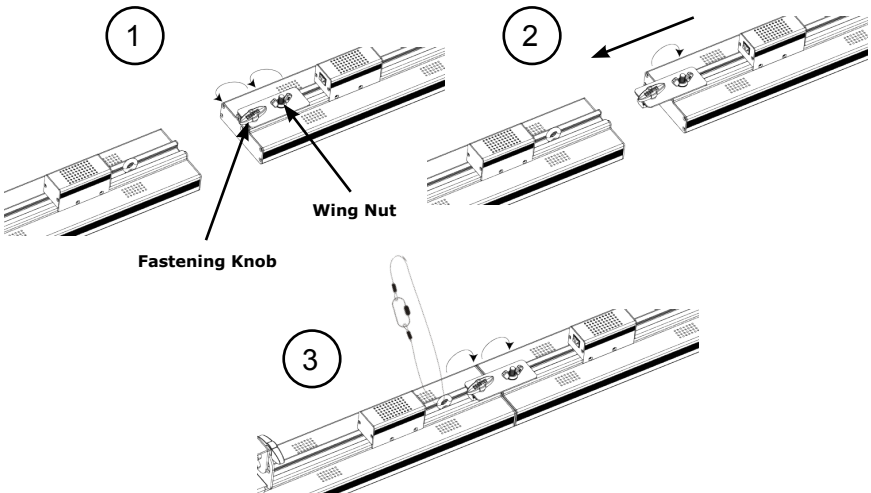
This fixture may be mounted in any SAFE position provided there is enough room for ventilation.

It is important never to obstruct the vents pathway. Mount the fixture using a suitable "C" or "O" type clamp. The clamp should be rated to hold at least 10x the fixture's weight to ensure structural stability. Do not mount to surfaces with unknown strength, and ensure properly "rated" rigging is used when mounting fixtures overhead.

Series Attachment

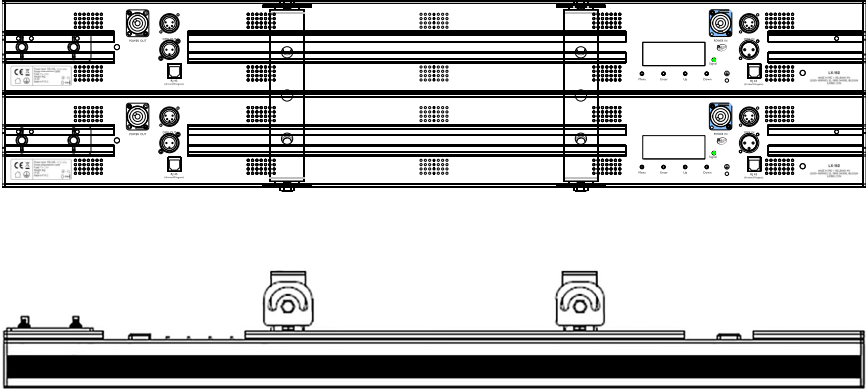
Pixellicious™ fixtures can be attached in an end-to-end formation to create a strip up to 2 meters long from just one rigging point. Do not connect any more than a total of 2 in a row when hanging vertically.

1. Loosen the fastening knob and wing nut.
2. Slide the connecting bracket out till it stops and tighten the wing nut.
3. Slide the Pixellicious™ into the connecting bracket and tighten the fastening knob, then attach the safety cable.



Transverse Mounting

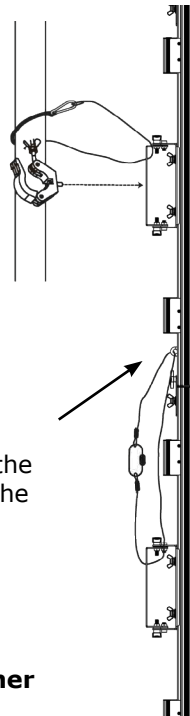
These fixtures can be also be attached in a side-by-side formation by connecting the fixtures together as shown in the diagram below.



Vertical Mounting

1. Attach the clamp to the mounting bracket.
2. Attach the clamp to the desired structure or surface.
3. Attach a safety cable to the product's safety loop.

When hanging 2 fixtures vertically, attach a safety cable from the safety loop of the top fixture to the bracket of the lower fixture.



***Never attach more than 2 fixtures together when hanging vertically.**

4. OPERATING ADJUSTMENTS

The Control Panel

All the goodies and different modes possible with the Pixellicious™ are accessed by using the control panel on the rear of the fixture. There are 4 control buttons below the LCD display which allow you to navigate through the various control panel menus.

<MENU>

Is used to navigate to the previous higher-level menu item.

<ENTER>

Is used to select and confirm/store the current selection.

<UP>

Scrolls through menu items and numbers in ascending order.

<DOWN>

Scrolls through menu items and numbers in descending order.



The control panel LED display shows the menu items you select from the menu map on page #11. When a menu function is selected, the display will show immediately the first available option for the selected menu function. To select a menu item, press **<ENTER>**.

Use the **<UP>** and **<DOWN>** buttons to navigate the menu options. Press the **<ENTER>** button to select the menu function currently displayed, or to enable a menu option. To return to the previous option or menu without changing the value, press the **<MENU>** button.

Control Panel Menu Structure

DMX Address	001-512	To choose the DMX address
DMX CH Mode	8CH	8-channel DMX mode
	35CH	35-channel DMX mode
	480CH	480-channel DMX mode
Auto Mode	Speed	Speed adjustments (1-9)
	Program	Built-in programs (1-29) + Mix Mode
Slave Mode	Yes/No	Sets fixture to run in slave mode
Sound Mode	Yes/No	Sound active mode
Network Settings	IP Address	IP address settings
	Subnet Mask	Subnet mask settings
	Net Subnet Unive	Net subnet universe settings
Image Mode	Image I	Image Map Layout 1 (see page 14)
	Image II	Image Map Layout 2 (see page 14)

DMX Mode

Allows the unit to be controlled by any universal DMX controller.

Change the Starting DMX Channel:

1.) The default DMX channel appears as **001** on the LCD readout. To select a different starting DMX channel, use the **<UP/DOWN>** buttons to navigate to **DMX Address**, and press the **<ENTER>** button. Then use the **<UP/DOWN>** buttons to select a value ranging from 001-512, and press the **<ENTER>** to confirm your choice.

Setting the DMX Channel Mode:

1.) To select a DMX channel mode, use the **<UP/DOWN>** buttons to navigate to **DMX CH Mode**, and press the **<ENTER>** button. Then use the **<UP/DOWN>** buttons until the display reaches your desired channel mode. Press the **<ENTER>** button to confirm.

Slave Mode:

1.) To set a fixture to run in slave mode, use the **<UP/DOWN>** buttons to navigate to **Slave Mode**, and press the **<ENTER>** button. Then use the **<UP/DOWN>** buttons to highlight either **Yes** or **No**. Press the **<ENTER>** button to confirm your choice.

Network Settings:

Set multiple units to run extended patterns via Net Subnet Universe value settings.

Extended Veiw Mode:

1.) While in master/slave mode, to run extended patterns between multiple fixtures; set the Net Subnet Universe setting of each fixture to have a different value: ex., for 8 fixtures use the values 01-08. In contrast, matching Net Subnet Universe values will result in identical/individual patterns that will not extend the view between the group of fixtures.

Stand-Alone, & Sound Active Modes:

Allows a single or Master/Slaved units to run factory installed programs at user selectable speeds.

Auto Mode:

1.) To run any of the fixture's individual programs or all of them in "Mix Mode", use the **<UP/DOWN>** buttons to navigate to **Auto Mode**, and press the **<ENTER>** button. You can then adjust the speed setting from 1-9 (slow <-> fast), or press the **<UP/DOWN>** buttons to navigate to **Program** to select any of its 29 programs, or **Mix Mode** to cycle through them all. Press the enter button to confirm your choice.

Sound Active Mode:

1.) To use sound active mode, select **Sound Mode** from the main menu then press the **<ENTER>** button. Sound active will now be actively running, using the currently set auto program or Mix Mode.

DMX Values In-Depth (8-Channel Mode)

Channel	Value	What It Does
1	000 <--> 255	Dimmer (0% <--> 100%)
2	000 <--> 255	Strobe (Slow <--> Fast)
3	000 <--> 255	Red Intensity (0% <--> 100%)
4	000 <--> 255	Green Intensity (0% <--> 100%)
5	000 <--> 255	Blue Intensity (0% <--> 100%)
6	000 <--> 255	Auto Programs (1-15)
7	000 <--> 255	Auto Programs (16-29) + Mix Mode
8	000 <--> 255	Auto Program Speed (Slow <--> Fast)

DMX Values In-Depth (35-Channel Mode)

Channel	Value	What It Does
1	000 <--> 255	Dimmer (0% <--> 100%)
2	000 <--> 255	Strobe (Slow <--> Fast)
3	000 <--> 255	Section 1 Red Intensity (0% <--> 100%)
4	000 <--> 255	Section 1 Green Intensity (0% <--> 100%)
5	000 <--> 255	Section 1 Blue Intensity (0% <--> 100%)
6	000 <--> 255	Section 2 Red Intensity (0% <--> 100%)
7	000 <--> 255	Section 2 Green Intensity (0% <--> 100%)
8	000 <--> 255	Section 2 Blue Intensity (0% <--> 100%)
9	000 <--> 255	Section 3 Red Intensity (0% <--> 100%)
10	000 <--> 255	Section 3 Green Intensity (0% <--> 100%)
11	000 <--> 255	Section 3 Blue Intensity (0% <--> 100%)
12	000 <--> 255	Section 4 Red Intensity (0% <--> 100%)
13	000 <--> 255	Section 4 Green Intensity (0% <--> 100%)
14	000 <--> 255	Section 4 Blue Intensity (0% <--> 100%)
15	000 <--> 255	Section 5 Red Intensity (0% <--> 100%)
16	000 <--> 255	Section 5 Green Intensity (0% <--> 100%)
17	000 <--> 255	Section 5 Blue Intensity (0% <--> 100%)
18	000 <--> 255	Section 6 Red Intensity (0% <--> 100%)
19	000 <--> 255	Section 6 Green Intensity (0% <--> 100%)
20	000 <--> 255	Section 6 Blue Intensity (0% <--> 100%)
21	000 <--> 255	Section 7 Red Intensity (0% <--> 100%)
22	000 <--> 255	Section 7 Green Intensity (0% <--> 100%)
23	000 <--> 255	Section 7 Blue Intensity (0% <--> 100%)
24	000 <--> 255	Section 8 Red Intensity (0% <--> 100%)
25	000 <--> 255	Section 8 Green Intensity (0% <--> 100%)
26	000 <--> 255	Section 8 Blue Intensity (0% <--> 100%)
27	000 <--> 255	Section 9 Red Intensity (0% <--> 100%)
28	000 <--> 255	Section 9 Green Intensity (0% <--> 100%)
29	000 <--> 255	Section 9 Blue Intensity (0% <--> 100%)
30	000 <--> 255	Section 10 Red Intensity (0% <--> 100%)
31	000 <--> 255	Section 10 Green Intensity (0% <--> 100%)
32	000 <--> 255	Section 10 Blue Intensity (0% <--> 100%)
33	000 <--> 255	Auto Programs (1-15) *ch 1 & 2 must be 000
34	000 <--> 255	Auto Programs (16-29) + Mix *ch 1 & 2 must be 000
35	000 <--> 255	Auto Program Speed (Slow <--> Fast)

DMX Values In-Depth (480-Channel Mode)

Individual R/G/B Pixel Control Value: 000 <--> 255.

CH	LED	CH	LED	CH	LED	CH	LED	CH	LED	CH	LED	CH	LED	CH	LED
1	1R	61	21R	121	41R	181	61R	241	81R	301	101R	361	121R	421	141R
2	1G	62	21G	122	41G	182	61G	242	81G	302	101G	362	121G	422	141G
3	1B	63	21B	123	41B	183	61B	243	81B	303	101B	363	121B	423	141B
4	2R	64	22R	124	42R	184	62R	244	82R	304	102R	364	122R	424	142R
5	2G	65	22G	125	42G	185	62G	245	82G	305	102G	365	122G	425	142G
6	2B	66	22B	126	42B	186	62B	246	82B	306	102B	366	122B	426	142B
7	3R	67	23R	127	43R	187	63R	247	83R	307	103R	367	123R	427	143R
8	3G	68	23G	128	43G	188	63G	248	83G	308	103G	368	123G	428	143G
9	3B	69	23B	129	43B	189	63B	249	83B	309	103B	369	123B	429	143B
10	4R	70	24R	130	44R	190	64R	250	84R	310	104R	370	124R	430	144R
11	4G	71	24G	131	44G	191	64G	251	84G	311	104G	371	124G	431	144G
12	4B	72	24B	132	44B	192	64B	252	84B	312	104B	372	124B	432	144B
13	5R	73	25R	133	45R	193	65R	253	85R	313	105R	373	125R	433	145R
14	5G	74	25G	134	45G	194	65G	254	85G	314	105G	374	125G	434	145G
15	5B	75	25B	135	45B	195	65B	255	85B	315	105B	375	125B	435	145B
16	6R	76	26R	136	46R	196	66R	256	86R	316	106R	376	126R	436	146R
17	6G	77	26G	137	46G	197	66G	257	86G	317	106G	377	126G	437	146G
18	6B	78	26B	138	46B	198	66B	258	86B	318	106B	378	126B	438	146B
19	7R	79	27R	139	47R	199	67R	259	87R	319	107R	379	127R	439	147R
20	7G	80	27G	140	47G	200	67G	260	87G	320	107G	380	127G	440	147G
21	7B	81	27B	141	47B	201	67B	261	87B	321	107B	381	127B	441	147B
22	8R	82	28R	142	48R	202	68R	262	88R	322	108R	382	128R	442	148R
23	8G	83	28G	143	48G	203	68G	263	88G	323	108G	383	128G	443	148G
24	8B	84	28B	144	48B	204	68B	264	88B	324	108B	384	128B	444	148B
25	9R	85	29R	145	49R	205	69R	265	89R	325	109R	385	129R	445	149R
26	9G	86	29G	146	49G	206	69G	266	89G	326	109G	386	129G	446	149G
27	9B	87	29B	147	49B	207	69B	267	89B	327	109B	387	129B	447	149B
28	10R	88	30R	148	50R	208	70R	268	90R	328	110R	388	130R	448	150R
29	10G	89	30G	149	50G	209	70G	269	90G	329	110G	389	130G	449	150G
30	10B	90	30B	150	50B	210	70B	270	90B	330	110B	390	130B	450	150B
31	11R	91	31R	151	51R	211	71R	271	91R	331	111R	391	131R	451	151R
32	11G	92	31G	152	51G	212	71G	272	91G	332	111G	392	131G	452	151G
33	11B	93	31B	153	51B	213	71B	273	91B	333	111B	393	131B	453	151B
34	12R	94	32R	154	52R	214	72R	274	92R	334	112R	394	132R	454	152R
35	12G	95	32G	155	52G	215	72G	275	92G	335	112G	395	132G	455	152G
36	12B	96	32B	156	52B	216	72B	276	92B	336	112B	396	132B	456	152B
37	13R	97	33R	157	53R	217	73R	277	93R	337	113R	397	133R	457	153R
38	13G	98	33G	158	53G	218	73G	278	93G	338	113G	398	133G	458	153G
39	13B	99	33B	159	53B	219	73B	279	93B	339	113B	399	133B	459	153B
40	14R	100	34R	160	54R	220	74R	280	94R	340	114R	400	134R	460	154R
41	14G	101	34G	161	54G	221	74G	281	94G	341	114G	401	134G	461	154G
42	14B	102	34B	162	54B	222	74B	282	94B	342	114B	402	134B	462	154B
43	15R	103	35R	163	55R	223	75R	283	95R	343	115R	403	135R	463	155R
44	15G	104	35G	164	55G	224	75G	284	95G	344	115G	404	135G	464	155G
45	15B	105	35B	165	55B	225	75B	285	95B	345	115B	405	135B	465	155B
46	16R	106	36R	166	56R	226	76R	286	96R	346	116R	406	136R	466	156R
47	16G	107	36G	167	56G	227	76G	287	96G	347	116G	407	136G	467	156G
48	16B	108	36B	168	56B	228	76B	288	96B	348	116B	408	136B	468	156B
49	17R	109	37R	169	57R	229	77R	289	97R	349	117R	409	137R	469	157R
50	17G	110	37G	170	57G	230	77G	290	97G	350	117G	410	137G	470	157G
51	17B	111	37B	171	57B	231	77B	291	97B	351	117B	411	137B	471	157B
52	18R	112	38R	172	58R	232	78R	292	98R	352	118R	412	138R	472	158R
53	18G	113	38G	173	58G	233	78G	293	98G	353	118G	413	138G	473	158G
54	18B	114	38B	174	58B	234	78B	294	98B	354	118B	414	138B	474	158B
55	19R	115	39R	175	59R	235	79R	295	99R	355	119R	415	139R	475	159R
56	19G	116	39G	176	59G	236	79G	296	99G	356	119G	416	139G	476	159G
57	19B	117	39B	177	59B	237	79B	297	99B	357	119B	417	139B	477	159B
58	20R	118	40R	178	60R	238	80R	298	100R	358	120R	418	140R	478	160R
59	20G	119	40G	179	60G	239	80G	299	100G	359	120G	419	140G	479	160G
60	20B	120	40B	180	60B	240	80B	300	100B	360	120B	420	140B	480	160B

Image Modes (Image Mapping)

Here are 2 examples of fixture positions for **Image Mode I** and **Image Mode II**.

*Note: 8-15, no function

Image Mode I:

0	1	2	3	4	5	6	7
---	---	---	---	---	---	---	---

Image Mode II:

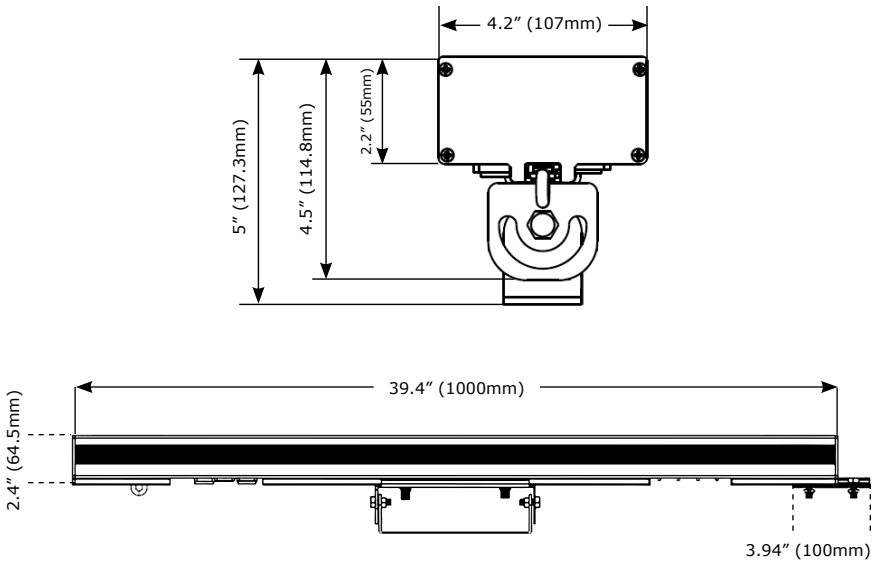
0	1	2	3
4	5	6	7

Troubleshooting

Symptom	Solution
No Light Output	Check to ensure fixture is operating under correct mode, IE sound active/auto/DMX/Etc., if applicable.
Chase Speed Too Fast/ Slow	Check to ensure proper setup of speed adjustment.
No Power	Check AC cord and circuit for malfunction.
Blown Fuse	Check AC cord and circuit for damage, verify that moving parts are not restricted and that unit's ventilation is not obstructed
Slow Movement	Check that speed channels are set appropriately.
No Response to Audio	Verify that the fixture is in "Sound Active" mode.
Fixture Not Responding / Responding Erratically	Make sure all connectors are seated properly and securely. Use Only DMX Cables and/or check cables for defects Install a Terminator. Reset fixture(s).
Fixture Moving On Its Own	Verify proper mode of operation. Is the fixture in "Auto" mode?

If your problem persists or isn't listed, please open a support ticket online at: www.blizzardlighting.com/support.

Dimensional Drawings



5. APPENDIX

A Quick Lesson On DMX

DMX (aka DMX-512) was created in 1986 by the United States Institute for Theatre Technology (USITT) as a standardized method for connecting lighting consoles to lighting dimmer modules. It was revised in 1990 and again in 2000 to allow more flexibility. The Entertainment Services and Technology Association (ESTA) has since assumed control over the DMX512 standard. It has also been approved and recognized for ANSI standard classification.

DMX provides up to 512 control "channels" per data link. Each of these channels was originally intended to control lamp dimmer levels. You can think of it as 512 faders on a lighting console, connected to 512 light bulbs. Each slider's position is sent over the data link as an 8-bit number having a value between 0 and 255. The value 0 corresponds to the light bulb being completely off while 255 corresponds to the light bulb being fully on.

DMX is connected using a daisy-chain configuration where the source connects to the input of the first device, the output of the first device connects to the input of the next device, and so on. The standard allows for up to 32 devices on a single DMX link.

Each receiving device typically has a means for setting the "starting channel number" that it will respond to. For example, if two 6-channel fixtures are used, the first fixture might be set to start at channel 1 so it would respond to DMX channels 1 through 6, and the next fixture would be set to start at channel 7 so it would respond to channels 7 through 12.

The greatest strength of the DMX communications protocol is that it is very simple and robust. It involves transmitting a reset condition (indicating the start of a new "packet"), a start code, and up to 512 bytes of data. Data packets are transmitted continuously. As soon as one packet is finished, another can begin with no delay if desired (usually another follows within 1 ms). If nothing is changing (i.e. no lamp levels change) the same data will be sent out over and over again. This is a great feature of DMX -- if for some reason the data is not interpreted the first time around, it will be re-sent shortly.

Keeping Your Pixellicious™ As Good As New

The fixture you've received is a rugged, tough piece of pro lighting equipment, and as long as you take care of it, it will take care of you. That said, like anything, you'll need to take care of it if you want it to operate as designed. You should absolutely keep the fixture clean, especially if you are using it in an environment with a lot of dust, fog, haze, wild animals, wild teenagers or spilled drinks.

Cleaning the optics routinely with a suitable glass cleaner will greatly improve the quality of light output. Keeping the fans free of dust and debris will keep the fixture running cool and prevent damage from overheating.

In transit, keep the fixtures in cases. You wouldn't throw a prized guitar, drumset, or other piece of expensive gear into a gear trailer without a case, and similarly, you shouldn't even think about doing it with your shiny new light fixtures.

Common sense and taking care of your fixtures will be the single biggest thing you can do to keep them running at peak performance and let you worry about designing a great light show, putting on a great concert, or maximizing your client's satisfaction and "wow factor." That's what it's all about, after all!

Returns (Gasp!)

We've taken a lot of precautions to make sure you never even have to worry about sending a defective unit back, or sending a unit in for service. But, like any complex piece of equipment designed and built by humans, once in a while, something doesn't go as planned. If you find yourself with a fixture that isn't behaving like a good little fixture should, you'll need to obtain a Return Authorization (RA).

Don't worry, this is easy. Just go to our website and open a support ticket at www.blizzardlighting.com/support, and we'll issue you an RA. Then, you'll need to send the unit to us using a trackable, pre-paid freight method. We suggest using USPS Priority or UPS. Make sure you carefully pack the fixture for transit, and whenever possible, use the original box & packing for shipping.

When returning your fixture for service, be sure to include the following:

- 1.) Your contact information (Name, Address, Phone Number, Email address).
- 2.) The RA# issued to you
- 3.) A brief description of the problem/symptoms.

We will, at our discretion, repair or replace the fixture. Please remember that any shipping damage which occurs in transit to us is the customer's responsibility, so pack it well!

Shipping Issues

Damage incurred in shipping is the responsibility of the shipper, and must be reported to the carrier immediately upon receipt of the items. Claims must be made within seven (7) days of receipt.

Tech Specs!

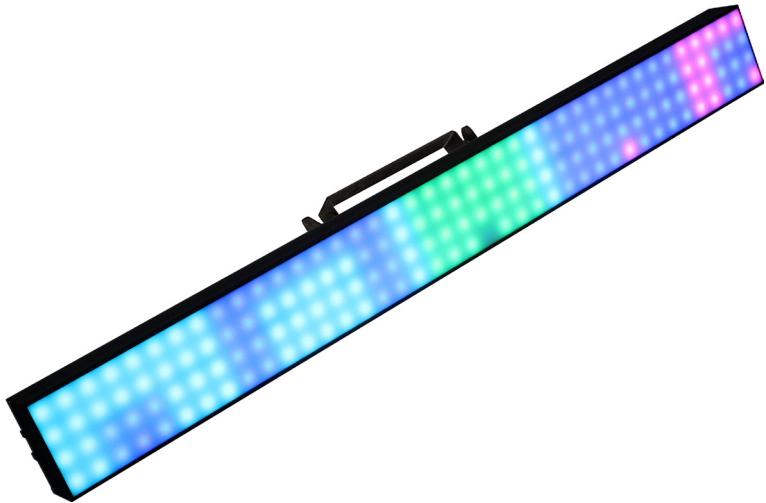
Weight & Dimensions		
Width	39.4 inches (1000 mm)	
Depth	4.2 inches (107 mm)	
Height	4.6 inches (117 mm)	
Weight	7.6 lbs. (3.5 kg)	
Power		
Operating Voltage	100-240VAC, 50-60 Hertz	
Power Consumption	51w, 0.36A	
Light Source		
LED	160 LEDs (tri-color) SMD 5050, 50,000 hours life expectancy	
Optical		
Beam Angle	120 degree beam	
Luminance	Clear Filter	Frosted Filter
	2586 NITS	2160 NITS
Pixels	40 x 4	
Pixel Pitch	25mm	
Thermal		
Max. Operating Temp.	104 degrees F (40 degrees C) ambient	
Control		
Protocol	Art-Net™, Kling-Net, USITT DMX-512	
DMX Channels	8/35/480-Channels	
Artnet Channels	480-Channels	
Input/Output	3-pin XLR Male/Female	
Other Operating Modes	Standalone, Master/Slave, Auto, Sound Active	
Other Information		
I wish this message had one more word. There.		
Warranty	2-year limited warranty, does not cover malfunction caused by damage to LEDs.	

DISCLAIMER:

The power connector fitted to the fixture and fixture cord are designed for compatibility with products manufactured by Neutrik AG, Neutrik USA and their related entities, however they are not manufactured by, affiliated with or endorsed by Neutrik AG, Neutrik USA, or any related entity. Neutrik® and powerCON® are registered trademarks of Neutrik AG.

This page intentionally left blank.

This page intentionally left blank.



Enjoy your product!
Our sincerest thanks for your purchase!
--The team @ Blizzard Lighting