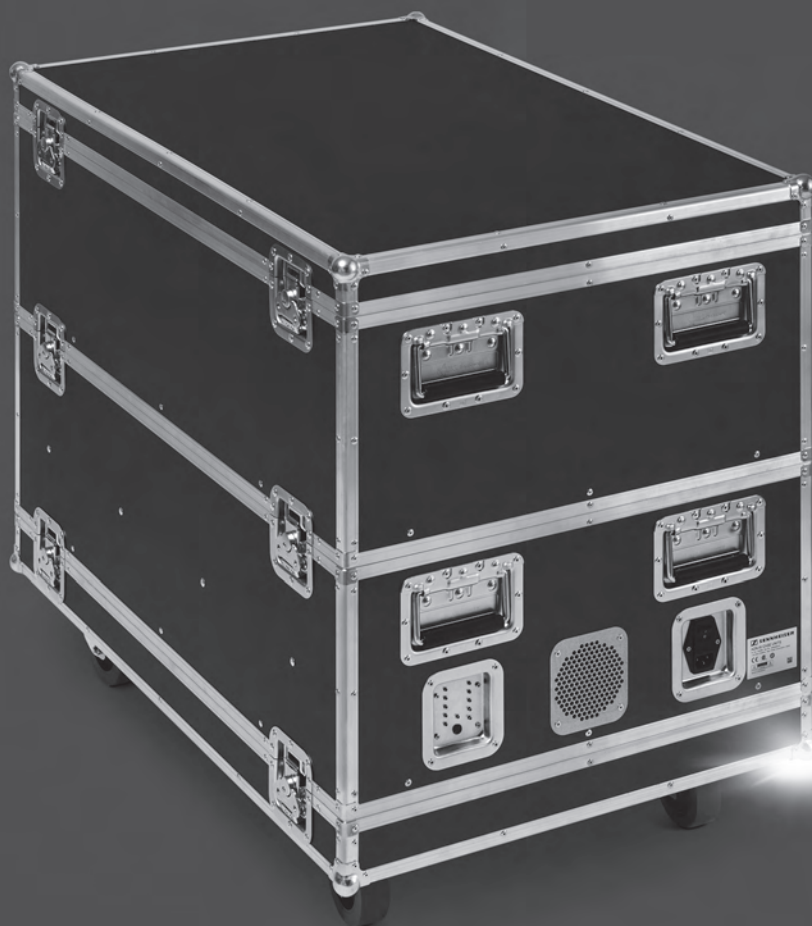


# ADN-W CASE

## Transport & Charging Case



Instruction manual



# Contents

- For your safety ..... 1
- The ADN-W CASE transport and charging case ..... 1
- Package contents ..... 2
- Product overview ADN-W CASE transport and charging case ..... 2
  - ADN-W CASE CENTRAL transport case ..... 3
  - ADN-W CASE UNITS charging case ..... 3
  - ADN-W CASE BASE case bottom and lid ..... 4
- Using the ADN-W CASE transport and charging case ..... 4
- Preparing the ADN-W CASE UNITS charging case for operation ..... 7
  - Setting up the ADN-W CASE UNITS ..... 7
  - Connecting the ADN-W CASE UNITS to and disconnecting it from the mains power supply ..... 7
- Switching the ADN-W CASE UNITS on/off ..... 8
- Charging the battery packs using the ADN-W CASE UNITS ..... 8
  - The status display of the ADN-W CASE UNITS charging case during charging ..... 9
  - Behavior of the ADN-W BA battery pack during charging ..... 10
- Cleaning and maintaining the ADN-W CASE ..... 11
- If a problem occurs ... ..... 11
- Specifications ADN-W CASE ..... 12

## For your safety



Please make sure to read the “Safety information” supplement included separately with the product. This supplement contains important information on the safe operation of the product as well as the manufacturer’s declaration and warranty notes.



A detailed instruction manual for the overall ADN conference system can be found

- on the Internet at [www.sennheiser.com](http://www.sennheiser.com) or
- on the DVD-ROM supplied with the ADN CU1 central unit.

## The ADN-W CASE transport and charging case

The ADN-W CASE transport and charging case is part of the Sennheiser ADN conference system.

This modular case allows you to easily and safely transport all components required for a wireless conference system and, in addition, to charge up to 10 wireless conference units in the charging case.

Available modules:

- ADN-W CASE BASE, case bottom with wheels and case lid
- ADN-W CASE CENTRAL transport case for e.g. central unit, antenna module, ADN-W L 10 charger, power supplies, mains cables and other accessories
- ADN-W CASE UNITS charging case with charging compartments for 10 wireless conference units

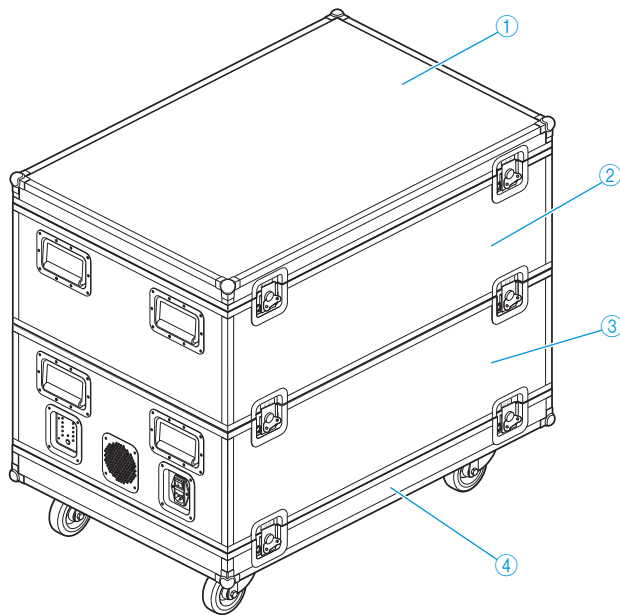


The modules can be used separately or be combined arbitrarily.

## Package contents

<b>ADN-W CASE UNITS</b> charging case	<ul style="list-style-type: none"> <li>1 ADN-W CASE UNITS charging case with charging compartments for 10 wireless conference units</li> <li>1 mains cable (with EU, UK or US mains plug, depending on version), length 1.8 m (also available without mains cable)</li> <li>1 instruction manual</li> <li>1 "Safety information" supplement</li> </ul>
<b>ADN-W CASE CENTRAL</b> transport case	<ul style="list-style-type: none"> <li>1 ADN-W CASE CENTRAL transport case for e.g. central unit, antenna module and accessories</li> </ul>
<b>ADN-W CASE BASE</b> case bottom and lid	<ul style="list-style-type: none"> <li>1 ADN-W CASE BASE including                             <ul style="list-style-type: none"> <li>– case bottom with wheels</li> <li>– case lid</li> </ul> </li> </ul>
<b>ADN-W CASE KIT 20</b> transport and charging case kit for 20 wireless conference units	<ul style="list-style-type: none"> <li>1 ADN-W CASE BASE, case bottom with wheels and case lid</li> <li>2 ADN-W CASE UNITS charging cases, each with charging compartments for 10 wireless conference units</li> <li>2 mains cables (with EU, UK or US mains plug, depending on version), length 1.8 m (also available without mains cables)</li> <li>1 instruction manual</li> <li>1 "Safety information" supplement</li> </ul>

## Product overview ADN-W CASE transport and charging case

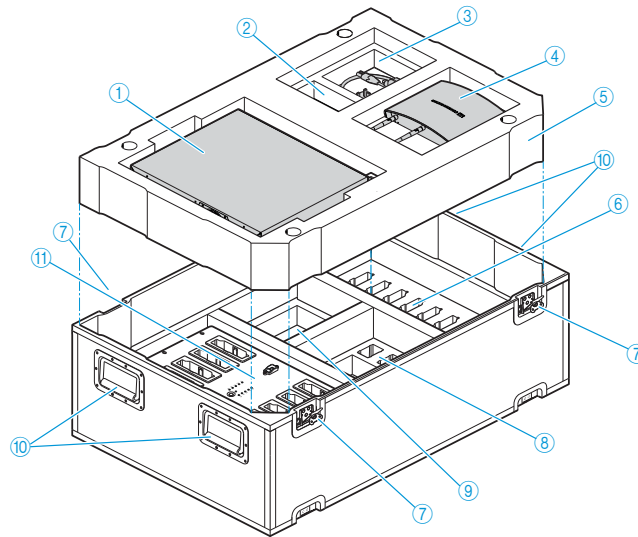


- ① ADN-W CASE BASE case lid
- ② ADN-W CASE CENTRAL transport case for central unit, antenna module, ADN-W L 10 charger, power supplies, mains cables and other accessories
- ③ ADN-W CASE UNITS charging case with charging compartments for 10 wireless conference units
- ④ ADN-W CASE BASE case bottom with wheels



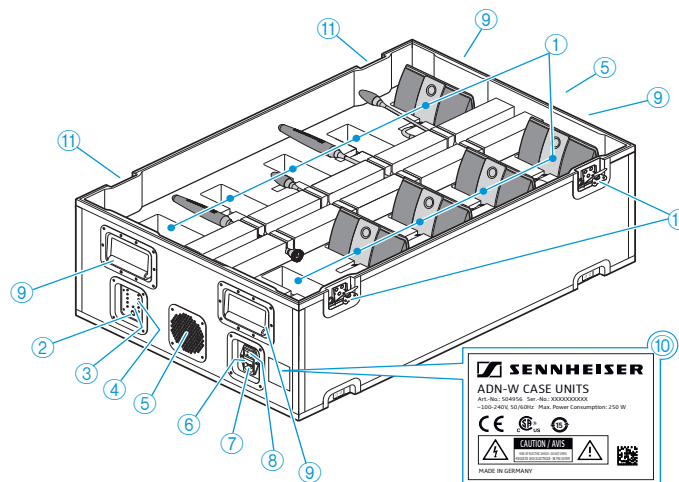
The modules can be used separately or be combined arbitrarily.

## ADN-W CASE CENTRAL transport case



- ① Compartment for ADN CU1 central unit
- ② Compartment for one NT 12-50C power supply
- ③ Compartment for cables and accessories
- ④ Compartment for ADN-W AM antenna module
- ⑤ Intermediate bottom (foam)
- ⑥ Compartments for 10 ADN-W BA battery packs
- ⑦ Butterfly locks
- ⑧ Compartments for 10 NT 12-50C power supplies without mains cables
- ⑨ Compartment for 10 mains cables for NT 12-50C and accessories
- ⑩ Carrying handles, foldable
- ⑪ Compartment for ADN-W L 10 charger

## ADN-W CASE UNITS charging case

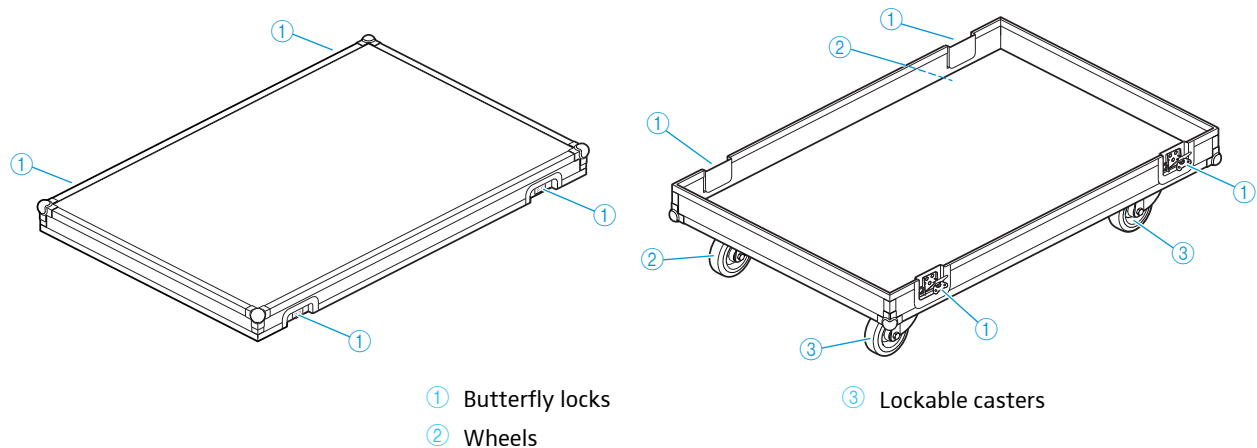


- ① Charging compartments for 10 wireless conference units with their ADN-W BA battery packs
- ② Button for charge status indication
- ③ Operation indicator, green
- ④ Status display for charging process
- ⑤ Fans
- ⑥ Mains fuse
- ⑦ Mains socket
- ⑧ On/off switch
- ⑨ Carrying handles, foldable
- ⑩ Type plate and hazard warnings
- ⑪ Butterfly locks

### Overview of the status display

The status display for charging process ④ consists of 10 LEDs. The button ② allows you to switch between two charge status indications (**overall monitoring** and **individual compartment monitoring**) showing the obtained capacity (see page 9).

## ADN-W CASE BASE case bottom and lid



## Using the ADN-W CASE transport and charging case



### CAUTION

#### Danger of material damage and personal injury during transport!

The modules of the ADN-W CASE transport and charging case can be equipped with the components of the ADN conference system.

Improper lifting or stacking of the individual modules of the transport case can cause personal injury and material damage.

If the transport and charging case tips over, is moved jerkily or not secured against inadvertent rolling, this can cause personal injury and material damage.

- ▶ Lift, shift or move the individual modules of the transport and charging case only when assisted by a second person.
- ▶ Do not stack the modules higher than 1.2 m. This height corresponds to 3 ADN-W CASE UNITS or ADN-W CASE CENTRAL modules plus the ADN-W CASE BASE case bottom and lid.
- ▶ Make sure that the modules are correctly interlocked with each other and that all butterfly locks are properly engaged and locked.
- ▶ Always move the transport and charging case carefully and only on even, horizontal surfaces.
- ▶ Lock the casters of the ADN-W CASE BASE case bottom and use additional securing straps to secure the transport case against inadvertent rolling.

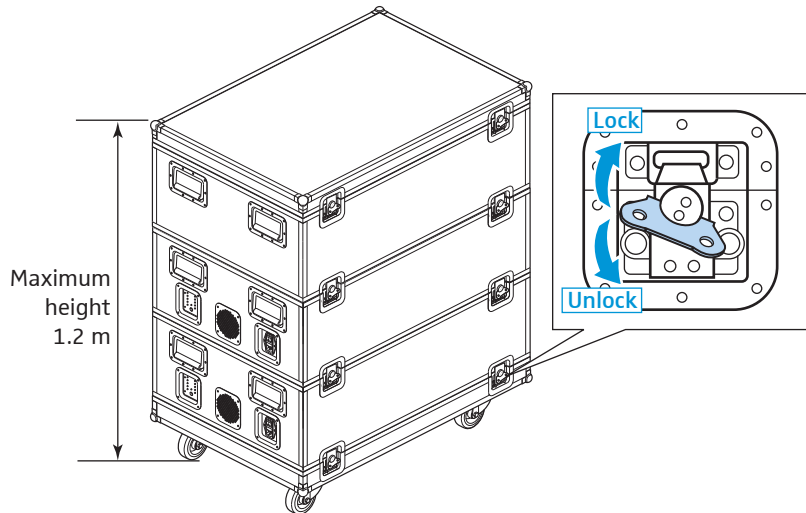
You can stack the individual modules arbitrarily up to a height of 1.2 m.

To stack the modules of the transport and charging case:

- ▶ Open the butterfly locks of the lower module.
- ▶ With the assistance of at least a second person, lift the next module using the foldable carrying handles and place it on the lower module so that the aluminium profiles of the modules engage with each other.
- ▶ Re-engage the 4 butterfly locks of the two modules and turn the butterfly fastener clockwise.

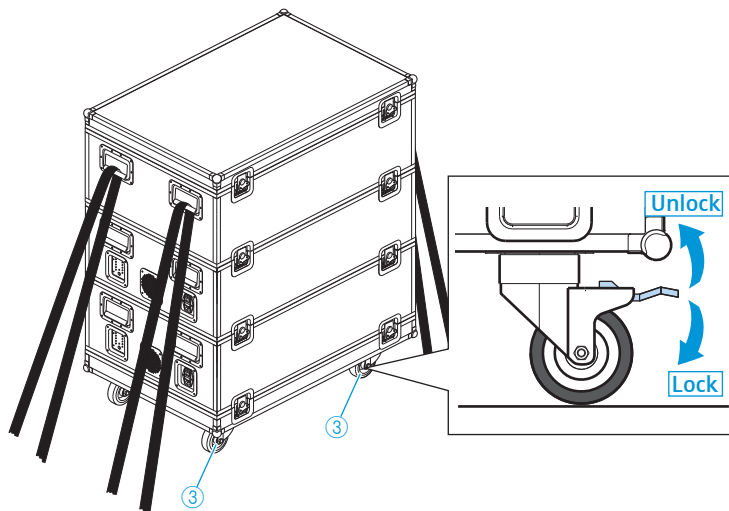
- ▶ Only stack the other modules up to a height of 1.2 m. This height corresponds to 3 ADN-W CASE UNITS or ADN-W CASE CENTRAL modules plus the ADN-W CASE BASE case bottom and lid.

**i** The butterfly locks can be locked with a small U-lock to prevent inadvertent opening of the modules.



To secure the transport and charging case against inadvertent rolling:

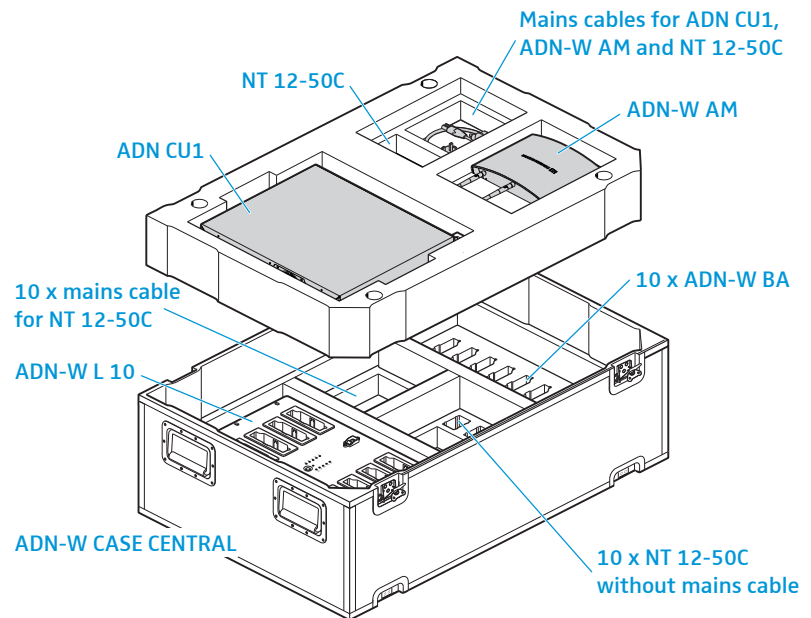
- ▶ Push the locking lever of the casters ③ of the ADN-W CASE BASE case bottom:
  - downwards to lock the casters or
  - upwards to unlock the casters.
- ▶ If necessary, secure the transport and charging case by means of securing straps that can be attached to the carrying handles.



### Packing the ADN-W CASE CENTRAL transport case

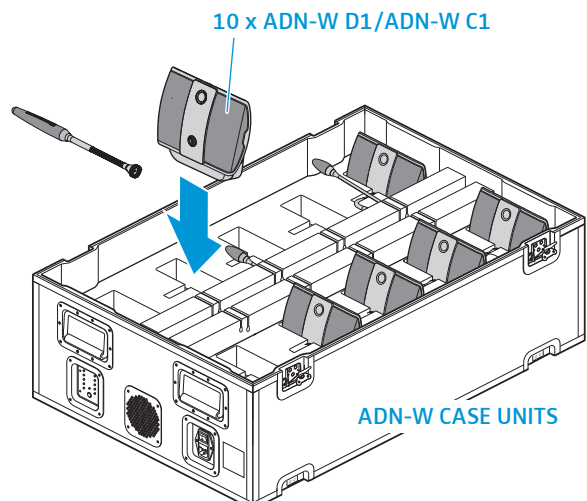
The module has padded compartments for the following components:

- 1 ADN CU1 central unit
- 1 ADN-W AM antenna mount
- 11 NT 12-50C power supplies
- 1 ADN-W L 10 charger
- 10 ADN-W BA battery packs
- Mains cables and other accessories



### Packing the ADN-W CASE UNITS charging case

The module has padded compartments for 10 ADN-W C1 or ADN-W D1 wireless conference units including their ADN-W BA battery packs and ADN-W MIC 15 or ADN-W MIC 36 gooseneck microphones.



To safely store away the microphones and to insert the goosenecks into the cut-outs of the padded compartments:

- ▶ Carefully bend the ADN-W MIC 15-39, ADN-W MIC 15-50 and ADN-W MIC 36-50 gooseneck microphones sideways..
- ▶ Unscrew the ADN-W MIC 36-29 gooseneck microphones from the conference units.



## Preparing the ADN-W CASE UNITS charging case for operation

The ADN-W CASE UNITS charging case allows you to simultaneously charge up to 10 ADN-W C1 or ADN-W D1 wireless conference units with their ADN-W BA battery packs installed.

### Setting up the ADN-W CASE UNITS

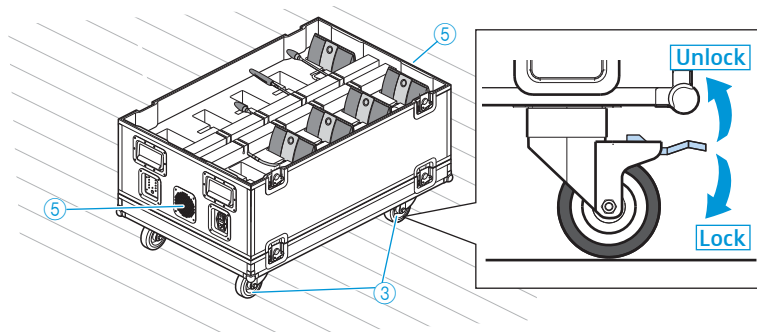
#### CAUTION

##### Danger of heat accumulation in a closed charging case!

The ADN-W CASE UNITS charging case and the ADN-W BA battery packs can get hot during charging. If the heat cannot dissipate, the charging time increases and the products can be damaged.

- ▶ Only operate the charging case in closed rooms and within the specified operating temperature range and air humidity range (see page 12) and make sure that no air vents ⑤ are blocked.
- ▶ Do not close the lid of the charging case during charging.
- ▶ Do not expose the charging case to heat sources and direct sunlight during charging.

- ▶ Place the charging case on a flat, horizontal surface as shown.
- ▶ If necessary, lock the casters ③ of the ADN-W CASE BASE case bottom in place by pushing the locking lever downwards (see page 4).



### Connecting the ADN-W CASE UNITS to and disconnecting it from the mains power supply

#### CAUTION

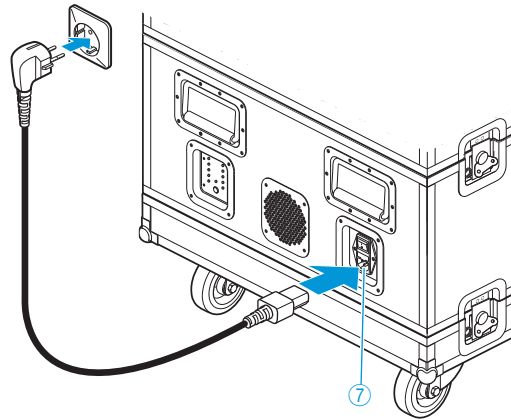
##### Product damage due to an unsuitable power supply!

If you connect the charging case to an unsuitable power supply, this can cause damage to the device.

- ▶ Use a mains cable with a 3-pin IEC mains connector to ensure a reliable mains ground connection of the charging case – especially when you are using an extension cable or a multi-outlet power strip.
- ▶ Avoid circuit overloading. If necessary, provide overcurrent protection.

To connect the charging case to the mains power supply:

- ▶ Connect the connector of the mains cable to the mains socket ⑦.
- ▶ Connect the mains plug (EU, UK or US plug) of the mains cable to the mains power supply. Ensure a secure fit of the mains plug in the wall socket. The charging case is now ready for operation.



To disconnect the charging case from the mains power supply:

- ▶ Pull out the mains plug from the wall socket.

## Switching the ADN-W CASE UNITS on/off

To **switch** the ADN-W CASE UNITS charging case **on**:

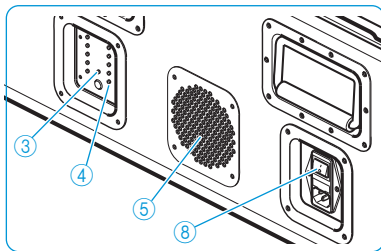
- ▶ Set the on/off switch ⑧ of the charging case to position "I". The operation indicator ③ lights up green.

To **switch** the ADN-W CASE UNITS charging case **off** after use:

- ▶ Set the on/off switch ⑧ of the charging case to position "O". The charging case switches off. The operation indicator ③ goes off.

To **completely switch** the ADN-W CASE UNITS charging case **off**:

- ▶ Pull out the mains plug from the wall socket.



## Charging the battery packs using the ADN-W CASE UNITS

### CAUTION

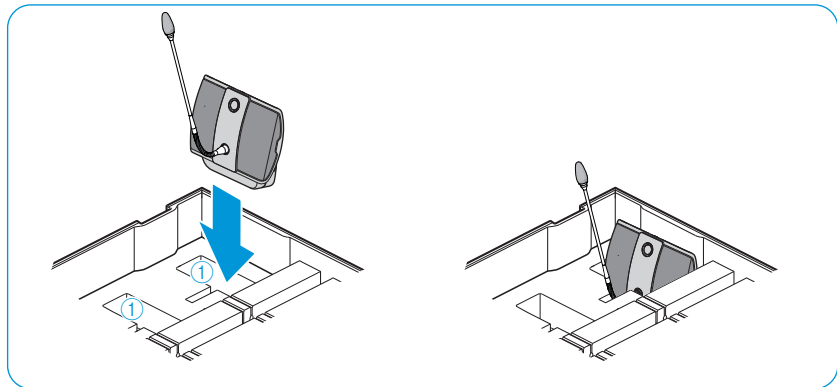
#### Danger of heat accumulation in a closed charging case!

The ADN-W CASE UNITS charging case and the ADN-W BA battery packs can get hot during charging. If the heat cannot dissipate, the charging time increases and the products can be damaged.

- ▶ Only operate the charging case in closed rooms and within the specified operating temperature range and air humidity range (see page 12) and make sure that no air vents ⑤ are blocked.
- ▶ Do not close the lid of the charging case during charging.
- ▶ Do not expose the charging case to heat sources and direct sunlight during charging.

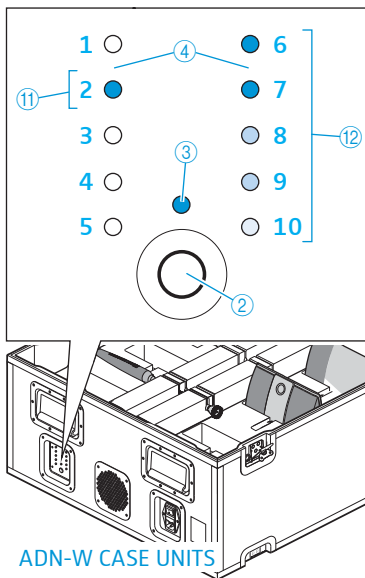
If, during charging, the gooseneck microphones of the wireless conference units are not supposed to protrude from the charging case:

- ▶ If necessary, carefully bend the ADN-W MIC 15-39, ADN-W MIC 15-50 and ADN-W MIC 36-50 gooseneck microphones sideways.
- ▶ If necessary, unscrew the ADN-W MIC 36-29 gooseneck microphones from the conference units.
- ▶ Insert the wireless conference unit with the battery pack installed into any charging compartment ① as shown.  
The charging process starts automatically (see “Behavior of the ADN-W BA battery pack during charging” on page 10). The status display ④ indicates the charging process (see “The status display of the ADN-W CASE UNITS charging case during charging” on page 9).

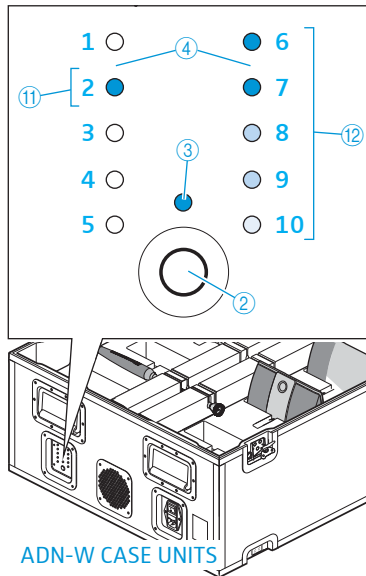


### The status display of the ADN-W CASE UNITS charging case during charging

The status display ④ on the charging case shows the **overall monitoring** of all charging compartments (each LED is assigned to a charging compartment):



LED ④	Color	Capacity obtained
1-10	–	Standby operation; no battery pack inserted or no connection to the mains power supply
	red	approx. 0-19%
	orange	approx. 20-94%
	green	approx. 95-100% Typical charging time is 4 hours with subsequent continuous capacity monitoring
	red, flashing rapidly	Battery pack's temperature is too high
	red, flashing slowly	Battery pack is defective



To call up the **individual compartment monitoring**:

- ▶ Press the button for charge status indication ②.  
The status display switches from overall monitoring to individual compartment monitoring. The LED (1-10) of the selected charging compartment (1-10) lights up green (see diagram as an example for charging compartment 2 ⑪). The adjacent LED strip comprising 5 LEDs displays the charge status in detail (see diagram as an example for a fully charged battery pack ⑫).

LED ④	Color	Capacity obtained
1 or 6	green	approx. 80-100 % Typical charging time is 4 hours with subsequent continuous capacity monitoring
2 or 7	green	approx. 60-79%
3 or 8	orange	approx. 40-59%
4 or 9	orange	approx. 20-39%
5 or 10	red	approx. 0-19%
5 or 10	red, flashing rapidly	Battery pack's temperature is too high
5 or 10	red, flashing slowly	Battery pack is defective

To select the charging compartments 1 to 10 one after the other:

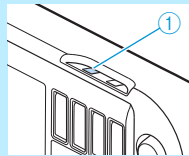
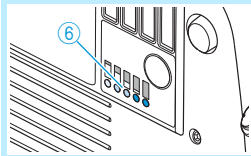
- ▶ Press the button ②.

5 seconds after the last button press, the status display switches back from individual compartment monitoring to overall monitoring.

### Behavior of the ADN-W BA battery pack during charging

During charging, the battery pack and the charging case will get warm. The battery status indicator ① and the charge status display ⑥ indicate the charging process:

Battery status indicator ①	Charge status display ⑥	Meaning
lights up orange	lights up (the current charge status flashes)	Battery pack is being charged, a complete charging process takes approx. 4 hours
off	off	Battery pack is fully charged, continuous capacity monitoring
orange, flashing rapidly	–	Battery pack is defective

Charging may take longer if the temperature of the battery pack is below 5°C or over 45°C. In this case, in order to protect the battery pack, the charging process is interrupted until the temperature is again within the admissible range and the battery status indicator ① lights up orange. The charging process starts automatically.

# Cleaning and maintaining the ADN-W CASE

**CAUTION**

**Liquids can damage the product!**

Liquids entering the product can cause a short-circuit in the electronics or damage the mechanics.

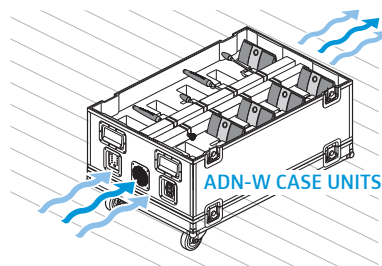
Solvents or cleansing agents can damage the surfaces of the product.

- ▶ Keep all liquids away from the product.
- ▶ Do not use any solvents or cleansing agents.

- ▶ Before cleaning, switch the ADN-W CASE UNITS charging case off and disconnect it from the mains power supply (see page 7).
- ▶ Only use a dry and soft cloth to clean the product.
- ▶ Use for example a paintbrush to remove dust from the charging compartments of the ADN-W CASE UNITS charging case.

To ensure optimum cooling of the ADN-W CASE UNITS charging case:

- ▶ Clean the air vents on the charging case's sides from time to time with a soft brush or paintbrush in order to avoid dust deposits.

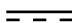


## If a problem occurs ...



Problem	Possible cause	Possible solution
Battery pack does not charge	Battery pack is overheated	Let the battery pack cool down and ensure sufficient ventilation during charging (ambient temperature of 5°C to 45°C). Only use the ADN-W CASE UNITS charging case with the lid open.
	Battery pack is inserted into the ADN-W CASE UNITS charging case and the NT 12-50C power supply is additionally connected to the battery pack	Charge the battery pack either via the NT 12-50C power supply or the ADN-W CASE UNITS charging case.
	Fuse of the ADN-W CASE UNITS charging case has tripped	Contact your Sennheiser partner to find the cause of the problem and to have the fuse replaced.
	Battery pack is defective	Replace the defective battery pack with a new one.
Battery charge is quickly used up	Battery pack is overaged	Replace the overaged battery pack with a new one.

# Specifications ADN-W CASE


## ADN-W CASE UNITS

Nominal input voltage	100 to 240 V~
Mains frequency	50 to 60 Hz
Power consumption	max. 250 W
Charging voltage	12 V 
Charging current	max. 10 x 1.6 A
Temperature range	operation: +5°C to +45°C storage: -20°C to +70°C
Relative humidity, non-condensing	operation: 20 to 95% storage: 10 to 90%
Dimensions (W x H x D)	approx. 931 x 283 x 617 mm
Weight w/o conference units	approx. 16.9 kg

## In compliance with

Europe	EMC	EN 301489-1/-17
	Safety	EN 60065
USA	EMC	 47 CFR Part 15 B
	Safety	UL 60065
Canada	EMC	CAN ICES-3(B)/NMB-3(B)
	Safety	CAN/CSA-C22.2 No. 60065

## Certified by

USA/Canada	Audio, Video and Similar Electronic Apparatus – Safety Requirements CAN/CSA-C22.2 No. 60065 and UL 60065
	

## ADN-W CASE CENTRAL

Dimensions (W x H x D)	approx. 931 x 283 x 617 mm
Weight (unequipped)	approx. 10.9 kg

## ADN-W CASE BASE

### Case bottom

Dimensions (W x H x D)	approx. 931 x 203 x 617 mm
Weight (unequipped)	approx. 8.9 kg

### Case lid

Dimensions (W x H x D)	approx. 931 x 60 x 617 mm
Weight (unequipped)	approx. 4 kg



**Sennheiser electronic GmbH & Co. KG**

Am Labor 1, 30900 Wedemark, Germany  
[www.sennheiser.com](http://www.sennheiser.com)

Printed in Germany, Publ. 08/16, 549136/A03