



KRAMER ELECTRONICS LTD.

USER MANUAL

MODEL:

SWM-1

Loudspeaker Wall Mount Device

P/N: 2900-300089 Rev 1

Contents

| | | |
|----------|---|-----------|
| 1 | Introduction | 1 |
| 2 | Getting Started | 2 |
| 3 | Overview | 3 |
| 4 | Defining the SWM-1 Loudspeaker Wall Mount Device | 4 |
| 4.1 | Wall Mount Parts | 4 |
| 4.2 | The Loudspeaker Interface Kit | 5 |
| 4.3 | The Wall Fixing Kit | 5 |
| 5 | Installing the SWM-1 | 6 |
| 5.1 | Preparing for Installation | 6 |
| 5.2 | Attach the Ball Interface to the Loudspeaker Rear Panel | 6 |
| 5.3 | Attaching the Ball Clamps | 8 |
| 5.4 | Wall Mounting the SWM-1 | 9 |
| 5.5 | Mounting the Loudspeaker on the Wall | 10 |
| 6 | Technical Specifications | 11 |

Figures

| | |
|--|----|
| Figure 1: SWM-1 Parts per Unit | 4 |
| Figure 2: Attaching the Ball Clamps | 8 |
| Figure 3: SWM-1 Assembled Kit | 8 |
| Figure 4: Mounting the Wall Plate on a Concrete Wall | 9 |
| Figure 5: Mounting the Wall Plate on a Wooden Wall | 9 |
| Figure 6: Mounting the Loudspeaker | 10 |
| Figure 7: Setting the Loudspeaker Position | 10 |

1 Introduction

Welcome to Kramer Electronics! Since 1981, Kramer Electronics has been providing a world of unique, creative, and affordable solutions to the vast range of problems that confront the video, audio, presentation, and broadcasting professional on a daily basis. In recent years, we have redesigned and upgraded most of our line, making the best even better!

Our 1,000-plus different models now appear in 11 groups that are clearly defined by function: GROUP 1: Distribution Amplifiers; GROUP 2: Switchers and Matrix Switchers; GROUP 3: Control Systems; GROUP 4: Format/Standards Converters; GROUP 5: Range Extenders and Repeaters; GROUP 6: Specialty AV Products; GROUP 7: Scan Converters and Scalers; GROUP 8: Cables and Connectors; GROUP 9: Room Connectivity; GROUP 10: Accessories and Rack Adapters and GROUP 11: Sierra Products.

Congratulations on purchasing your Kramer **SWM-1** Loudspeaker Wall Mount Device, which is ideal for mounting on-wall loudspeakers.

2 Getting Started

We recommend that you:

- Unpack the equipment carefully and save the original box and packaging materials for possible future shipment
- Review the contents of this user manual



Go to <http://www.kramerelectronics.com> to check for up-to-date user manuals, application programs, and to check if firmware upgrades are available (where appropriate).

The package includes:

- An **SWM-1** Loudspeaker Wall Mount Device, that consists of a pair of on-wall mounts (the contents are described in detail in [Section 4](#))
- This User Manual



Use this wall mount only with the maximum allowed weight load (up to 5kg (11lbs)) per wall mount. Using it for a heavier weight than the indicated maximum may cause injury.

Some walls are not suitable for installation. Be sure that the wall type is appropriate for installing the wall mount, that is, either solid wood, bricks, concrete, or wood studs. If you install this product on drywall it must be securely fixed to a wooden stud, concrete block or other permanent structure behind the drywall board.

When drilling holes in walls it is essential to avoid contact with electrical cables and water or gas pipes contained within.

After installing the wall mount, double-check that the fixings are safe and secure. It is recommended to check that the wall mount is safely secured from time to time.

3 Overview

The Kramer **SWM-1** is a versatile device for wall-mounting loudspeakers.

The **SWM-1**:

- Is designed for cabinet loudspeakers weighing up to 5kg (11lbs)
- Mounts the loudspeaker 72mm (2.8") from the wall
- Is suitable for single point, dual point and keyhole fixings
- Distance between dual point fixings is 51mm – 67mm (2" – 2.6")
- Is suitable for loudspeakers using M5, M6, UNC ¼" and wood screws
- Kit includes all the mounting hardware for easy installation

4 Defining the SWM-1 Loudspeaker Wall Mount Device

Each **SWM-1** package includes a pair of loudspeaker wall mounts. The following sections define the parts of one (of two) wall mount kit.

4.1 Wall Mount Parts



You need to disassemble the **SWM-1** before installing it.

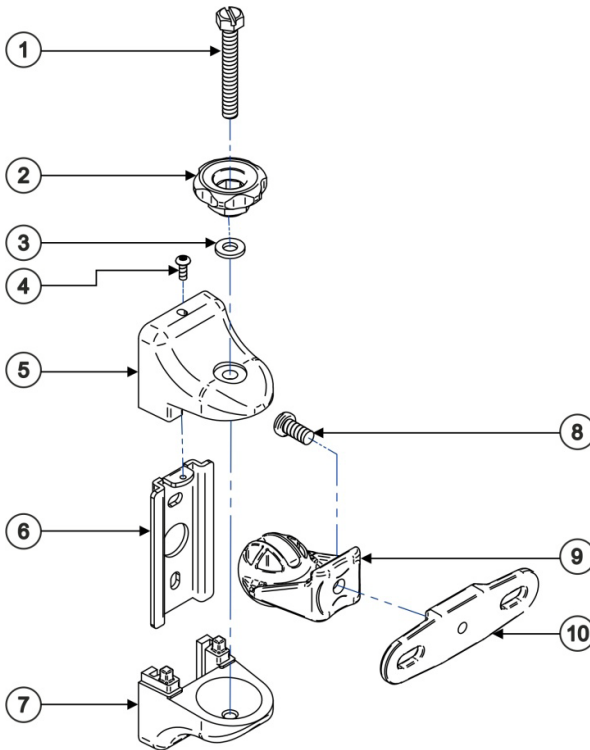
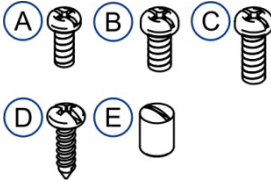


Figure 1: SWM-1 Parts per Unit

| # | Part per Unit | # | Part per Unit |
|---|-----------------|----|-------------------|
| 1 | M6x45 Hex Screw | 6 | Wall Plate |
| 2 | M6 Thumbwheel | 7 | Lower Ball Clamp |
| 3 | M6 Metal Washer | 8 | M6x12mm Screw |
| 4 | M3x8 Screw | 9 | Ball Interface |
| 5 | Top Ball Clamp | 10 | Adapter Interface |

4.2 The Loudspeaker Interface Kit

The loudspeaker interface screws are used to attach the wall mount to the loudspeaker. Use the screws in the kit that fit the hole threading on the loudspeakers.



| # | Part per Unit |
|---|--------------------------------------|
| A | M5x12mm Screw (2) |
| B | M6x12mm Screw (2) |
| C | UNC 1/4"x5/8" Screw (2) |
| D | M4.2x19mm (No.8x3/4") Wood Screw (2) |
| E | Keyhole insert (1) |

4.3 The Wall Fixing Kit

Use the wall fixing screws and wall plugs to fix the wall mount with the loudspeaker to the wall.



| # | Parts per Unit |
|----|--------------------------------|
| A1 | M4.8x32mm Wood Screw (2) |
| A2 | No6 Wall Plug, for part A1 (2) |

5 Installing the SWM-1

This section describes how to install the **SWM-1**.



The following instructions refer to the installation of one unit.

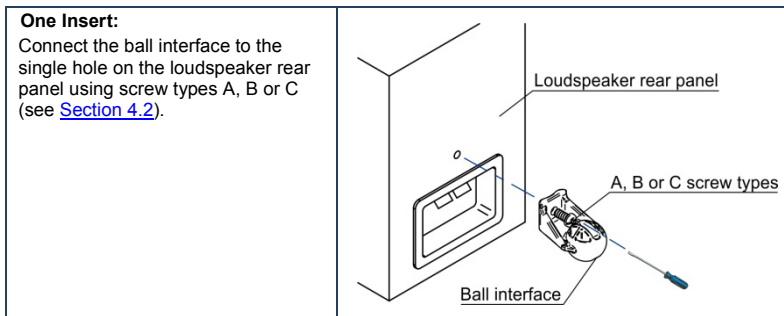
5.1 Preparing for Installation

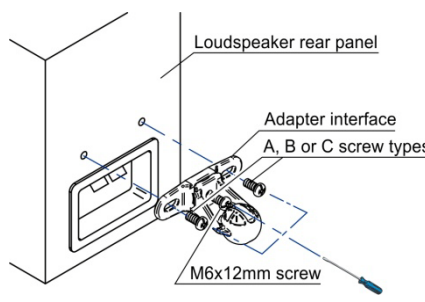
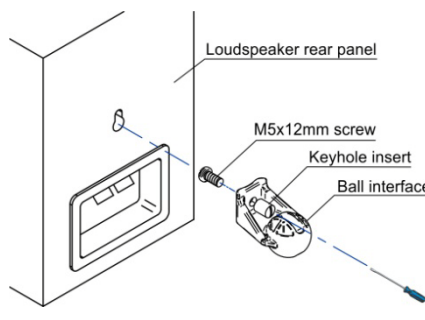
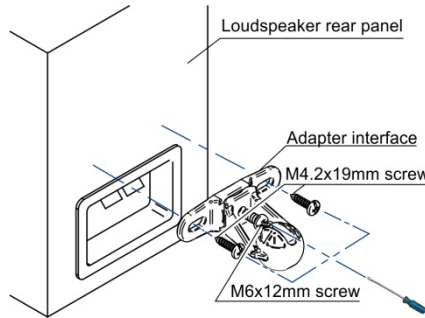
Before installing the loudspeakers, check that you have all the required tools:

- Crosshead/Flathead screwdriver
- Power drill
- 6mm (1/4") masonry bit or 3mm (1/8") wood bit
- Pencil
- Level and stud finder (optional)

5.2 Attach the Ball Interface to the Loudspeaker Rear Panel

This section describes several methods in which you can attach the **SWM-1** Ball Interface to the rear side of the loudspeaker. Choose the method that fits best to your loudspeaker:



| | |
|--|---|
| <p>Dual Insert: Connect the ball interface to the adapter interface using an M6x12mm screw, and then connect them to the two holes on the loudspeaker rear panel, using screw types A, B or C (see Section 4.2).</p> |  <p>Loudspeaker rear panel</p> <p>Adapter interface A, B or C screw types</p> <p>M6x12mm screw</p> |
| <p>Keyhole Insert: Insert the M5x12mm screw through the hole in the ball interface and tighten with the keyhole insert. Insert the screw head into the keyhole and push it upwards.</p> |  <p>Loudspeaker rear panel</p> <p>M5x12mm screw</p> <p>Keyhole insert</p> <p>Ball interface</p> |
| <p>No Inserts Available: Connect the ball interface to the adapter interface using an M6x12mm screw, and then use the two M4.2x19mm wood screws (see Section 4.2) to connect them to the loudspeaker rear panel.</p> |  <p>Loudspeaker rear panel</p> <p>Adapter interface</p> <p>M4.2x19mm screw</p> <p>M6x12mm screw</p> |

5.3 Attaching the Ball Clamps

Attach the top and lower ball clamps to the ball interface as illustrated in [Figure 2](#):

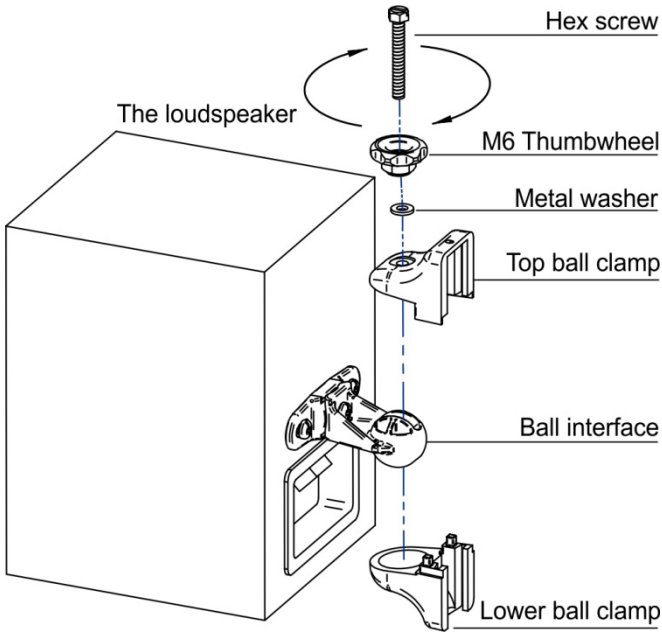


Figure 2: Attaching the Ball Clamps

[Figure 3](#) shows the assembled kit:

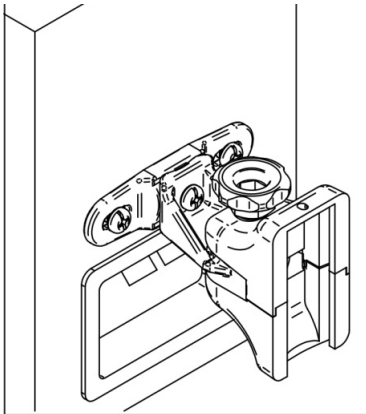


Figure 3: SWM-1 Assembled Kit

5.4 Wall Mounting the SWM-1

You can mount the **SWM-1** either on a brick or concrete wall or wood/wood stud walls.

To mount on a concrete or brick wall, as shown in [Figure 4](#), use a 6mm (1/4") masonry bit with your drill:

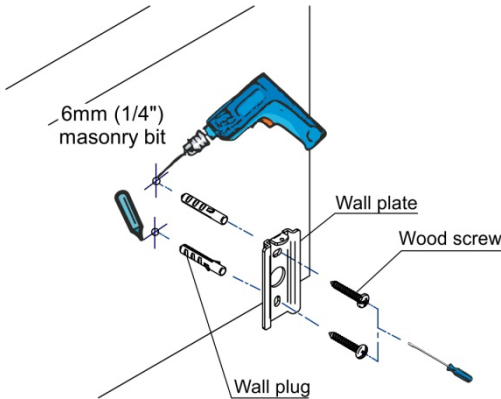


Figure 4: Mounting the Wall Plate on a Concrete Wall

To mount on a wooden wall or stud, as shown in [Figure 5](#), use a 3mm (1/8") wood bit with your drill (you can use a stud finder to find the wooden stud):

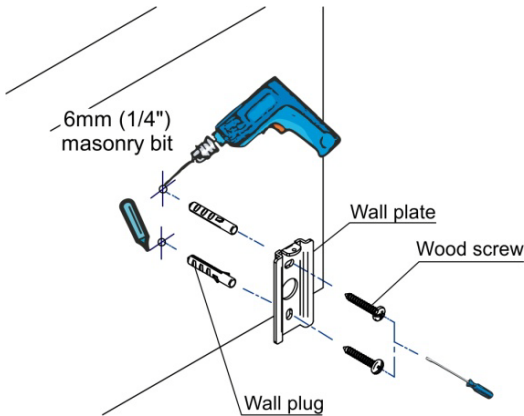


Figure 5: Mounting the Wall Plate on a Wooden Wall

5.5 Mounting the Loudspeaker on the Wall

To mount the loudspeaker on the wall, slide the assembly onto the wall plate and secure with the M3x8mm screw, as shown in [Figure 6](#):

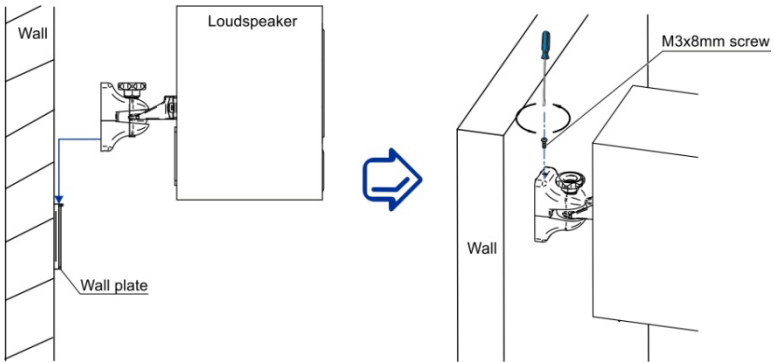


Figure 6: Mounting the Loudspeaker

To set the position of the loudspeaker, loosen the thumbwheel (or the top hex screw), set the loudspeaker at the desired angle and then retighten, as shown in [Figure 7](#):

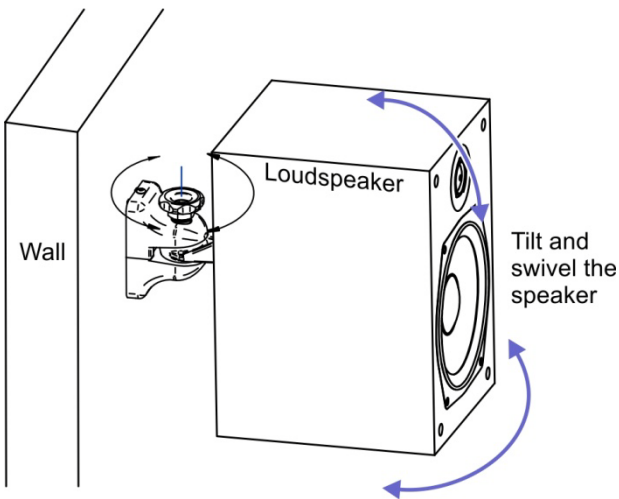


Figure 7: Setting the Loudspeaker Position

6 Technical Specifications

| | |
|--|--|
| MATERIALS: | Metal, plastic, aluminum |
| MAXIMUM SPEAKER WEIGHT: | 5kg (11lbs) per speaker |
| AVAILABLE COLORS: | Black and white |
| DIMENSIONS: | 88mm x 79mm x 72mm (3.5" x 3.1" x 2.8"), W, D, H |
| WEIGHT: | One wall mount: 0.19kg (0.42lbs) approx. Shipping weight (for pair): 0.55kg (1.21lbs) approx. |
| Specifications are subject to change without notice at http://www.kramerelectronics.com | |

LIMITED WARRANTY

We warrant this product free from defects in material and workmanship under the following terms.

HOW LONG IS THE WARRANTY

Labor and parts are warranted for one year from the date of the first customer purchase.

WHO IS PROTECTED?

Only the first purchase customer may enforce this warranty.

WHAT IS COVERED AND WHAT IS NOT COVERED

Except as below, this warranty covers all defects in material or workmanship in this product. The following are not covered by the warranty:

1. Any product which is not distributed by us or which is not purchased from an authorized Kramer dealer. If you are uncertain as to whether a dealer is authorized, please contact Kramer at one of the agents listed in the Web site www.kramerelectronics.com.
2. Any product, on which the serial number has been defaced, modified or removed, or on which the WARRANTY VOID IF TAMPERED sticker has been torn, reattached, removed or otherwise interfered with.
3. Damage, deterioration or malfunction resulting from:
 - i) Accident, misuse, abuse, neglect, fire, water, lightning or other acts of nature
 - ii) Product modification, or failure to follow instructions supplied with the product
 - iii) Repair or attempted repair by anyone not authorized by Kramer
 - iv) Any shipment of the product (claims must be presented to the carrier)
 - v) Removal or installation of the product
 - vi) Any other cause, which does not relate to a product defect
 - vii) Cartons, equipment enclosures, cables or accessories used in conjunction with the product

WHAT WE WILL PAY FOR AND WHAT WE WILL NOT PAY FOR

We will pay labor and material expenses for covered items. We will not pay for the following:

1. Removal or installations charges.
2. Costs of initial technical adjustments (set-up), including adjustment of user controls or programming. These costs are the responsibility of the Kramer dealer from whom the product was purchased.
3. Shipping charges.

HOW YOU CAN GET WARRANTY SERVICE

1. To obtain service on you product, you must take or ship it prepaid to any authorized Kramer service center.
2. Whenever warranty service is required, the original dated invoice (or a copy) must be presented as proof of warranty coverage, and should be included in any shipment of the product. Please also include in any mailing a contact name, company, address, and a description of the problem(s).
3. For the name of the nearest Kramer authorized service center, consult your authorized dealer.

LIMITATION OF IMPLIED WARRANTIES

All implied warranties, including warranties of merchantability and fitness for a particular purpose, are limited in duration to the length of this warranty.

EXCLUSION OF DAMAGES

The liability of Kramer for any effective products is limited to the repair or replacement of the product at our option. Kramer shall not be liable for:

1. Damage to other property caused by defects in this product, damages based upon inconvenience, loss of use of the product, loss of time, commercial loss; or:
2. Any other damages, whether incidental, consequential or otherwise. Some countries may not allow limitations on how long an implied warranty lasts and/or do not allow the exclusion or limitation of incidental or consequential damages, so the above limitations and exclusions may not apply to you.

This warranty gives you specific legal rights, and you may also have other rights, which vary from place to place.

NOTE: All products returned to Kramer for service must have prior approval. This may be obtained from your dealer.

This equipment has been tested to determine compliance with the requirements of:

- EN-50081: "Electromagnetic compatibility (EMC);
generic emission standard.
Part 1: Residential, commercial and light industry"
- EN-50082: "Electromagnetic compatibility (EMC) generic immunity standard.
Part 1: Residential, commercial and light industry environment".
- CFR-47: FCC* Rules and Regulations:
Part 15: "Radio frequency devices
Subpart B Unintentional radiators"

CAUTION!

- Servicing the machines can only be done by an authorized Kramer technician. Any user who makes changes or modifications to the unit without the expressed approval of the manufacturer will void user authority to operate the equipment.
- Use the supplied DC power supply to feed power to the machine.
- Please use recommended interconnection cables to connect the machine to other components.
* FCC and CE approved using STP cable (for twisted pair products)



For the latest information on our products and a list of Kramer distributors, visit our Web site where updates to this user manual may be found.

We welcome your questions, comments, and feedback.

Web site: www.kramerelectronics.com

E-mail: info@kramerel.com



SAFETY WARNING

Disconnect the unit from the power supply before opening and servicing