



Matrix Mixer

with built-in DSP for small and mid-scale audio installations

USB
2x2

MIC/LINE
In x8

LINE
Out x8

Supports +48V Phantom power

RS-232C
Serial Control

RS-485
Remote Control

Remote Mic
Gain Control

on-Board
DSP

10 IN/10 OUT
Matrix Mixer





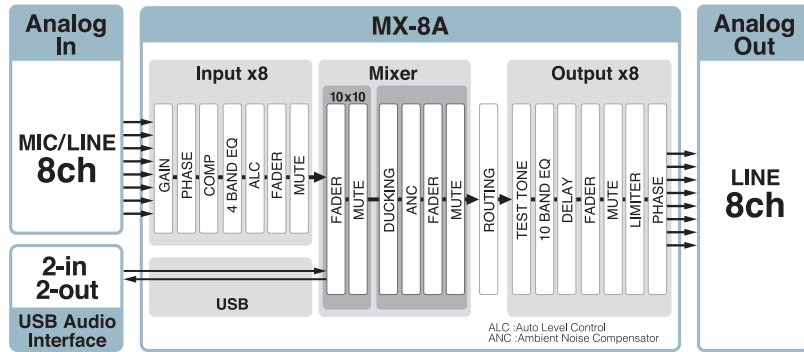
MX-8A

8 Input / 8 Output Matrix Mixer with DSP



Matrix Mixer with built-in DSP for small/mid-scale installations

The TASCAM MX-8A is a Matrix Mixer equipped with 8 mic / line inputs and 8 line outputs as well as integrated DSP for audio optimization in various environments and configurations. Custom control apps are also available to allow easy setup and adjustment by both system integrators and end users.

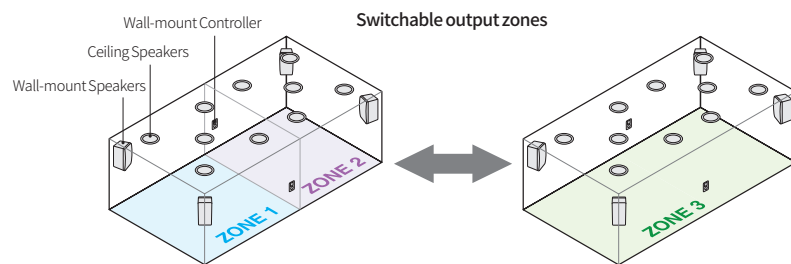


Powerful Integrated DSP

The onboard DSP provides a full set of audio processing for mic and line inputs including Compressor, 4 parametric EQ, auto level, ducking and more. On line level outputs, the DSP delivers 10 band EQ, high pass filters, low pass filters, delay and limiter effects.

Structuring small to mid-scale systems

The TASCAM MX-8A is possible to mix mic and playback equipment audio signals into 8 different zones. This function can be used in installation systems for small to medium scale stores, restaurants or banquet rooms, etc.



Remote Control Software

Control of the TASCAM MX-8A via either of the two available control software applications. The TASCAM MX CONNECT, designed for integrators and providing control over the configuration and settings of an entire system, while the TASCAM EZ CONNECT, designed for end-users and providing easy control over a variety of settings.



Auto audio configuration functions for a clearer sound

With the ducking function and/or the ambient noise compensator function, users will be able to have a much clearer sound when making announcements or when playing some background music. These can be configured different on each output zone of the matrix mixer.

Ducking

This function detects the level of a mic input and simultaneously turns down the level of the selected output zone. This can be used to increase intelligibility of announcements when background music is present.

Ambient Noise Compensator (ANC)

The Ambient Noise Compensator (ANC) function also detects input source level and automatically configures the level of the selected output zone. Whenever there is fluctuation on the noise level of a field environment, this function will automatically compensate the volume for clearer background music or announcements.

Specifications

- Audio performance (MIC IN → LINE OUT)
- Mic Amp EIN: -126dB or less *Input referred noise
 - Frequency response (±0.5dB): 20Hz to 20kHz
 - THD (THD+N): 0.005% or less
 - Signal-to-Noise ratio: 106dB or higher
 - Cross talk: 106dB or higher
 - Dynamic range: 106dB or higher
 - Operating power: AC 100V to 240V, 50/60Hz
 - Power consumption: 21W
 - Overall dimensions (WxHxD): 483 x 45 x 304.1 mm (including protrusions)
 - Weight: 3.0kg
 - Operating temperature: 0 to 40°C / 32 to 104°F

Option

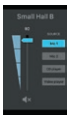
- Wall-mount controller (Available soon)

Related Software

- TASCAM MX CONNECT
Control software for system integrator and administrator supports Windows, mac OS, Android, and iOS. (Free download)



- TASCAM EZ CONNECT
Control software for end-users supports Windows, mac OS, Android, and iOS. (Free downloads)



Configurable Input Modules

- Mic/line input switching
- Phantom power ON/OFF (mic input)
- PAD (mic input)
- Mic gain (mic input)
- Compressor
- 4 band EQ
 - 2 band parametric EQ
 - Low shelving EQ / HPF
 - High shelving EQ
- Auto level control
- Mute
- Fader
- Fader / Mute grouping

Configurable Output Modules

- 10 band EQ
- 8 band parametric EQ
- Low shelving EQ / HPF
- High shelving EQ / LPF
- Delay
- Limiter
- Phase switching
- Test tone
- Mute
- Fader
- Fader / Mute grouping

Other features

- Built-in 10 IN / 10 OUT Matrix Mixer
- Flexible Output Routing to 8 LINE outputs
- Supports +48V Phantom Power
- Remote Gain Control
- High quality Mic Pre-amps support input range -70dBu to +26dBu
- 50 Scene presets triggered by SNTP-based Timer events
- Compatible with Audio Playback/Recording softwares
- Euro Block In/Out connectors
- Ethernet connector

TEAC CORPORATION

10410 Pioneer Blvd. Unit #1
Santa Fe Springs, CA 90670
323 726 0303
tascam.com

TASCAM

®