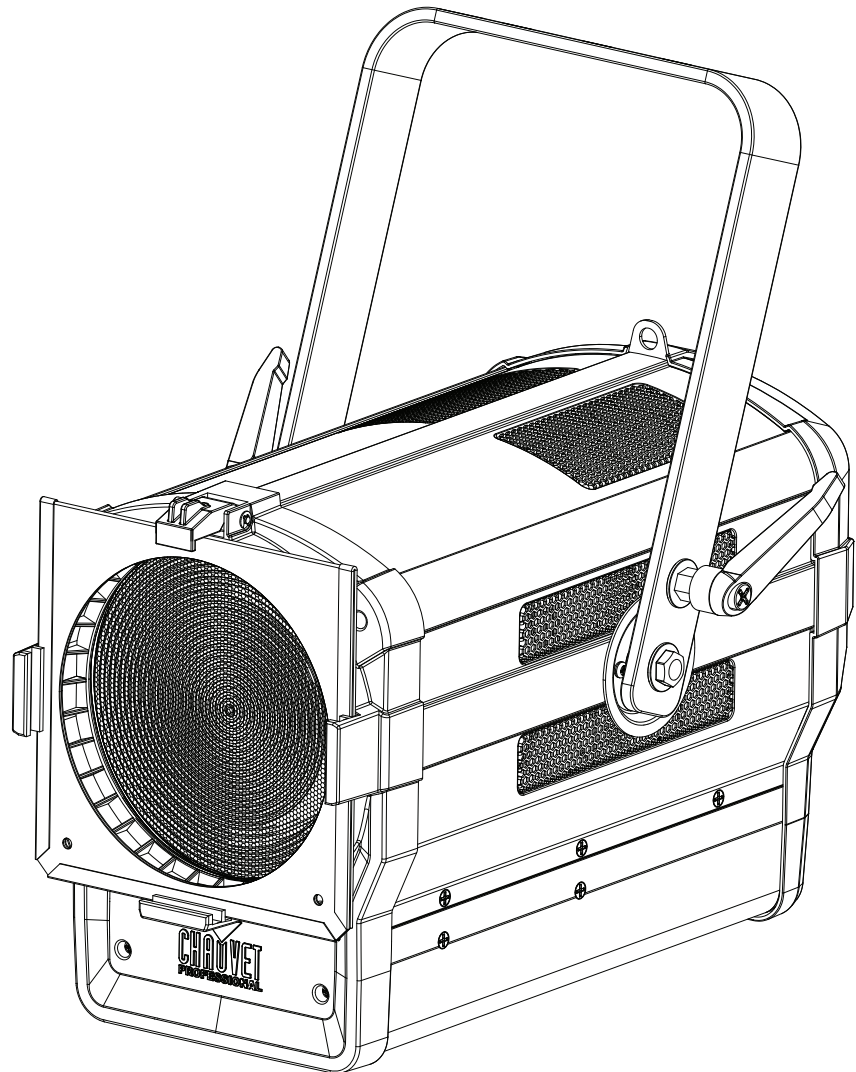


Ovation

F-415VW

Quick Reference Guide

English	EN
Español	ES
Français	FR
Deutsch	DE
Nederlands	NL



CHAUVET
PROFESSIONAL

About This Guide

The Ovation F-415VW Quick Reference Guide (QRG) has basic product information such as connection, mounting, menu options, and DMX values. Download the User Manual from www.chauvetprofessional.com for more details.

Disclaimer

The information and specifications contained in this QRG are subject to change without notice.

LIMITED WARRANTY

FOR WARRANTY REGISTRATION AND COMPLETE TERMS AND CONDITIONS PLEASE VISIT OUR WEBSITE.

For Customers in the United States and Mexico: www.chauvetlighting.com/warranty-registration

For Customers in the United Kingdom, Republic of Ireland, Belgium, the Netherlands, Luxembourg, France, and Germany: www.chauvetlighting.eu/warranty-registration/

Chauvet warrants that this product shall be free from defects in material and workmanship under normal use, for the period specified in and subject to the exclusions and limitations set forth in, the full limited warranty on our website. This warranty extends only to the original purchaser of the product and is not transferable. To exercise rights under this warranty, you must provide proof of purchase in the form of an original sales receipt from an authorized dealer that shows the product name and date of purchase. THERE ARE NO OTHER EXPRESS OR IMPLIED WARRANTIES. This warranty gives you specific legal rights. You may also have other rights that vary from state to state and country to country. This warranty is valid only in the United States, United Kingdom, Republic of Ireland, Belgium, the Netherlands, Luxembourg, France, Germany and Mexico. For warranty terms in other countries, please consult your local distributor.

Safety Notes

These Safety Notes include important information about installation, use, and maintenance.

- DO NOT open this product. It contains no user-serviceable parts.
- DO NOT look at the light source when the product is on.
- To eliminate unnecessary wear and improve its lifespan, during periods of non-use completely disconnect the product from power via breaker or by unplugging it.
- CAUTION: When transferring product from extreme temperature environments, (e.g. cold truck to warm humid ballroom) condensation may form on the internal electronics of the product. To avoid causing a failure, allow product to fully acclimate to the surrounding environment before connecting it to power.
- CAUTION: This product's housing may be hot when lights are operating.
- Mount this product in a location with adequate ventilation, at least 20 in (50 cm) from adjacent surfaces.
- DO NOT leave any flammable material within 50 cm of this product while operating or connected to power.
- USE a safety cable when mounting this product overhead.
- DO NOT operate this product outdoors or in any location where dust, excessive heat, water, or humidity may affect it. (IP20)
- DO NOT operate this product if the housing, lenses, or cables appear damaged.
- Never connect this product to AC and DC power sources at the same time.
- DO NOT connect this product to a dimmer or rheostat.
- ONLY connect this product to a grounded and protected circuit.
- ONLY use the hanging/mounting bracket or the handles to carry this product.
- In the event of a serious operating problem, stop using immediately.
- The maximum ambient temperature is 113 °F (45 °C). Do not operate this product at higher temperatures.

FCC Compliance

This device complies with Part 15 Part B of the FCC Rules. Operation is subject to the following two conditions:

1. This device may not cause harmful interference, and
2. This device must accept any interference received, including interference that may cause undesired operation.

Any changes or modifications not expressly approved by the party responsible for compliance could void the user's authority to operate the equipment.

Contact

Outside the U.S., United Kingdom, Ireland, France, Germany, Mexico, or Benelux, contact your distributor to request support or return a product. Visit [Contact Us](#) at the end of this QRG for contact information.

What is Included

- Ovation F-415VW
- Neutrik® powerCON® power cord
- Gel frame (6.25 in/159 mm accessories)
- Quick Reference Guide

AC/DC Power

This product has an auto-ranging power supply that can work with an input voltage range of 100–240 VAC, 50/60 Hz or 28 VDC power from a conditioned professional regulated battery (for example, Anton Bauer or Block Battery). Never connect both power sources at the same time.

Power Linking

You can link up to 12 Ovation F-415VW products at 120 V, 21 products at 208 V, or 23 products at 230 V. Never exceed this number. Power-linking cords can be purchased separately.

AC Plug

Connection	Wire (U.S.)	Wire (Europe)	Screw Color
AC Live	Black	Brown	Yellow/Brass
AC Neutral	White	Blue	Silver
AC Ground	Green/Yellow	Green/Yellow	Green

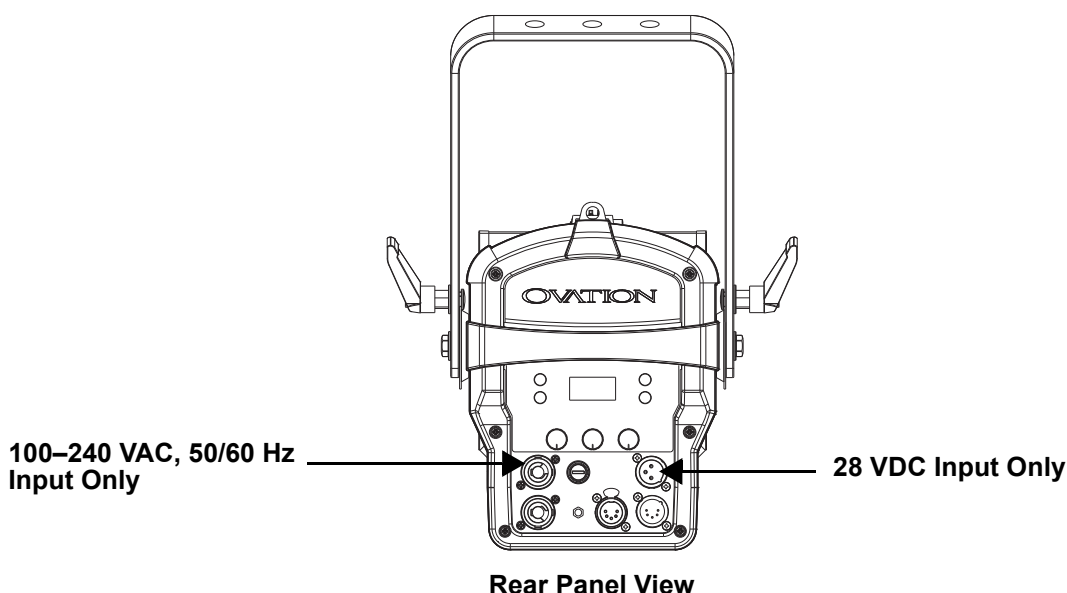


- To eliminate unnecessary wear and improve its lifespan, during periods of non-use completely disconnect the product from power via breaker or by unplugging it.
- Never connect this product to AC and DC power sources at the same time.

Replacing the Fuse

1. Disconnect this product from power.
2. Using a Phillips #2 head screwdriver, unscrew the fuse holder cap from the housing.
3. Remove blown fuse and replace with a good fuse of the same type and rating.
4. Screw the fuse holder cap back in place and reconnect power.

Power Diagram



DMX Linking

The Ovation F-415VW will work with a DMX controller using a 5-pin DMX serial connection. A DMX Primer is available from www.chauvetprofessional.com.

DMX Connection

The Ovation F-415VW uses a 5-pin DMX data connection for its 8 DMX personalities: **1 Ch, 4 Ch, 6 Ch, 7 Ch, 9 Ch, 13 Ch, 16 Ch, and 18 Ch**. See the User Manual for information about connecting and configuring the product for DMX operation.

Master/Slave Connection

The Ovation F-415VW uses the DMX data connection for its master/slave mode. See the User Manual for information about how to connect and configure the product for master/slave operation.

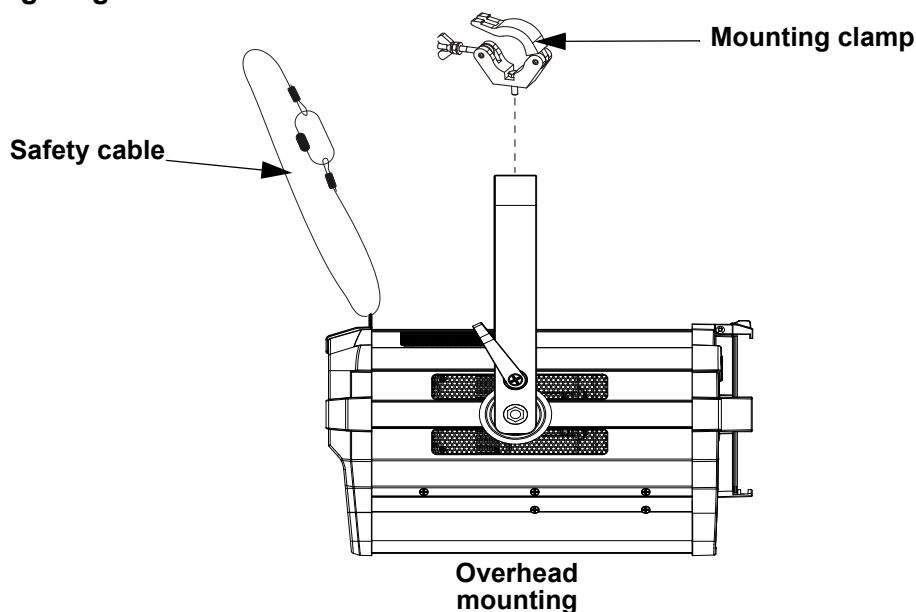
RDM (Remote Device Management)

Remote Device Management, or RDM, is a standard for allowing DMX-enabled devices to communicate bi-directionally along existing DMX cabling. Check the DMX controller's User Manual or with the manufacturer as not all DMX controllers have this capability. The Ovation F-415VW supports RDM protocol that allows feedback to make changes to menu map options. Download the User Manual from www.chauvetprofessional.com for more details.

Mounting

Before mounting this product, read the [Safety Notes](#). Use at least one mounting point per product. Make sure the mounting clamps are capable of supporting the weight of the product. For our Chauvet line of mounting clamps, go to: <http://trusst.com/productcategory/truss-clamps/>

Product Mounting Diagram



Control Panel Description

Button	Function
<MENU>	Exits from the current menu or function
<ENTER>	Enables the currently displayed menu or sets the currently selected value into the selected function
<UP>	Navigates upwards through the menu list or increases the numeric value when in a function
<DOWN>	Navigates downwards through the menu list or decreases the numeric value when in a function
<Color Temperature>	Push once then turn to select the color temperature. Push again then turn to set the hue.
<Dimmer>	Push then turn to increase or decrease the dimmer
<Zoom>	Push then turn to increase or decrease the zoom

Color Temperature Chart

DMX Channel Value	Color Temperature	DMX Channel Value	Color Temperature	DMX Channel Value	Color Temperature
000 ⇄ 005	2800K/No function	083 ⇄ 090	3900–4000K	167 ⇄ 174	5100–5200K
006 ⇄ 013	2800–2900K	090 ⇄ 097	4000–4100K	174 ⇄ 181	5200–5300K
013 ⇄ 020	2900–3000K	097 ⇄ 104	4100–4200K	181 ⇄ 188	5300–5400K
020 ⇄ 027	3000–3100K	104 ⇄ 111	4200–4300K	188 ⇄ 195	5400–5500K
027 ⇄ 034	3100–3200K	111 ⇄ 118	4300–4400K	195 ⇄ 202	5500–5600K
034 ⇄ 041	3200–3300K	118 ⇄ 125	4400–4500K	202 ⇄ 209	5600–5700K
041 ⇄ 048	3300–3400K	125 ⇄ 132	4500–4600K	209 ⇄ 216	5700–6000K
048 ⇄ 055	3400–3500K	132 ⇄ 139	4600–4700K	216 ⇄ 223	6000–6500K
055 ⇄ 062	3500–3600K	139 ⇄ 146	4700–4800K	223 ⇄ 230	6500–7000K
062 ⇄ 069	3600–3700K	146 ⇄ 153	4800–4900K	230 ⇄ 237	7000–7500K
069 ⇄ 076	3700–3800K	153 ⇄ 160	4900–5000K	237 ⇄ 244	7500–8000K
076 ⇄ 083	3800–3900K	160 ⇄ 167	5000–5100K	244 ⇄ 255	8000K



Note: The color temperatures above are simulated renditions of the color output produced as compared with a tungsten lamp at the specified color temperature. Chauvet makes no guarantee of the color output accuracy.

Menu Map

Main Level	Programming Levels			Description	
DMX Address	001–509*			Selects DMX address (highest channel restricted to personality chosen)	
DMX Channel	1 Ch			1-channel: dimmer	
	4 Ch			4-channel: dimmer, color temperature, hue, zoom	
	6 Ch			6-channel: 16-bit dimmer, color temperature, hue, zoom, strobe	
	7 Ch			7-channel: red, orange, green, royal blue, blue, lime, zoom	
	9 Ch			9-channel: dimmer, red, orange, green, royal blue, blue, lime, strobe, zoom	
	13 Ch			13-channel: dimmer, red, orange, green, royal blue, blue, lime, strobe, color temperature, hue, dimmer speed mode, zoom, motor reset	
	16 Ch			16-channel: 16-bit dimmer, 16-bit red, orange, green, royal blue, blue, and lime, strobe, zoom	
	18 Ch			18-channel: 16-bit dimmer, 16-bit red, orange, green, royal blue, blue, and lime, strobe, color temperature, hue, zoom	
Static	Color Temperature	2800K	Dimmer	000–100	Sets the color temperature, dimmer, and hue (green/magenta) levels. Emulates a tungsten lamp at the specified color temperature.
		2900K			
		3000K			
		3100K			
		3200K			
		3300K			
		3400K			
		3500K			
		3600K			
		3700K			
		3800K			
		3900K			
		4000K			
		4100K			
		4200K			
		4300K			
		4400K			
		4500K			
		4600K			
		4700K			
		4800K			
		4900K			
		5000K			
		5100K			
		5200K			
		5300K			
		5400K			
		5500K			
		5600K			
		5700K			
		6000K			
		6500K			
7000K					
7500K					
8000K					
			Hue	-25–25	

Main Level	Programming Levels		Description	
Static	Manual Color Mixer	Red	<000–255>	Combine red, orange, green, royal blue, blue, and lime LEDs to make a custom color (0–100%)
		Orange		
		Green		
		Royal Blue		
		Blue		
		Lime		
Zoom	0–255		Controls zoom	
Master/Slave	Master		DMX mode (Master)	
	Slave		Slave mode	
	Off		Linear dimmer	
Dimmer Mode	Dimmer 1–3		Dimming curves Dimmer 1 (fast) to Dimmer 3 (slow)	
White Balance	Manual	Off	<125–255>	Uses factory default white setting
		Red		Sets red LED maximum value
		Orange		Sets orange LED maximum value
		Green		Sets green LED maximum value
		Royal Blue		Sets royal blue LED maximum value
		Blue		Sets blue LED maximum value
Lime	Sets lime LED maximum value			
LED Frequency	600Hz		Sets the PWM frequency	
	1200Hz			
	2000Hz			
	4000Hz			
	6000Hz			
	25KHz			
Fan Mode	Auto		Sets the fan to auto mode	
	On		Sets the fan to always on	
	Off		Sets the fan to always off	
	Silent		Sets the fan to silent	
Back Light	10S		Turns off display backlight after 10 seconds of inactivity	
	30S		Turns off display backlight after 30 seconds of inactivity	
	2Min		Turns off display backlight after 2 minutes of inactivity	
	Always On		Display backlight always on	
Information	Fixture Hours	<_ _ _ _H>	Shows total hours the product has been powered on	
	Version	<V_ _>	Shows current firmware version	
	UID	<_ _ _ _ _ _ _ _>	Shows product UID	
Reset Zoom w/ Power	No		Resets zoom settings when product is turned off	
	Yes			
Reset Factory	No		Resets the product to factory default settings	
	Yes			

DMX Values

18 Ch

Channel	Function	Value	Percent/Setting
1	Dimmer	000 ⇄ 255	0–100%
2	Dimmer fine	000 ⇄ 255	0–100%
3	Red	000 ⇄ 255	0–100%
4	Red fine	000 ⇄ 255	0–100%
5	Orange	000 ⇄ 255	0–100%
6	Orange fine	000 ⇄ 255	0–100%
7	Green	000 ⇄ 255	0–100%
8	Green fine	000 ⇄ 255	0–100%
9	Royal blue	000 ⇄ 255	0–100%
10	Royal blue fine	000 ⇄ 255	0–100%
11	Blue	000 ⇄ 255	0–100%
12	Blue fine	000 ⇄ 255	0–100%
13	Lime	000 ⇄ 255	0–100%
14	Lime fine	000 ⇄ 255	0–100%
15	Strobe	000 ⇄ 010 011 ⇄ 255	No function Strobe, slow to fast
16	Color temperature	000 ⇄ 255	See Color Temperature Chart
17	Hue	000 ⇄ 255	-25–25
18	Zoom	000 ⇄ 255	Narrow to wide

16 Ch

Channel	Function	Value	Percent/Setting
1	Dimmer	000 ⇄ 255	0–100%
2	Dimmer fine	000 ⇄ 255	0–100%
3	Red	000 ⇄ 255	0–100%
4	Red fine	000 ⇄ 255	0–100%
5	Orange	000 ⇄ 255	0–100%
6	Orange fine	000 ⇄ 255	0–100%
7	Green	000 ⇄ 255	0–100%
8	Green fine	000 ⇄ 255	0–100%
9	Royal blue	000 ⇄ 255	0–100%
10	Royal blue fine	000 ⇄ 255	0–100%
11	Blue	000 ⇄ 255	0–100%
12	Blue fine	000 ⇄ 255	0–100%
13	Lime	000 ⇄ 255	0–100%
14	Lime fine	000 ⇄ 255	0–100%
15	Strobe	000 ⇄ 010 011 ⇄ 255	No function Strobe, slow to fast
16	Zoom	000 ⇄ 255	Narrow to wide

13 Ch

Channel	Function	Value	Percent/Setting
1	Dimmer	000 ⇄ 255	0–100%
2	Red	000 ⇄ 255	0–100%
3	Orange	000 ⇄ 255	0–100%
4	Green	000 ⇄ 255	0–100%
5	Royal blue	000 ⇄ 255	0–100%
6	Blue	000 ⇄ 255	0–100%
7	Lime	000 ⇄ 255	0–100%
8	Strobe	000 ⇄ 010 011 ⇄ 255	No function Strobe, slow to fast
9	Color temperature	000 ⇄ 255	See Color Temperature Chart
10	Hue	000 ⇄ 255	-25–25

EN

Channel	Function	Value	Percent/Setting
11	Dimmer speed mode	000 ⇔ 051	No function
		052 ⇔ 101	Dimmer speed mode off
		102 ⇔ 152	Dimmer speed mode 1
		153 ⇔ 203	Dimmer speed mode 2
		204 ⇔ 255	Dimmer speed mode 3
Hold for 3 seconds: Overrides and changes menu selection			
12	Zoom	000 ⇔ 255	Narrow to wide
13	Motor reset	000 ⇔ 200	No function
		201 ⇔ 220	Motor reset
		221 ⇔ 255	No function

9 Ch

Channel	Function	Value	Percent/Setting
1	Dimmer	000 ⇔ 255	0–100%
2	Red	000 ⇔ 255	0–100%
3	Orange	000 ⇔ 255	0–100%
4	Green	000 ⇔ 255	0–100%
5	Royal blue	000 ⇔ 255	0–100%
6	Blue	000 ⇔ 255	0–100%
7	Lime	000 ⇔ 255	0–100%
8	Strobe	000 ⇔ 010	No function
		011 ⇔ 255	Strobe, slow to fast
9	Zoom	000 ⇔ 255	Narrow to wide

7 Ch

Channel	Function	Value	Percent/Setting
1	Red	000 ⇔ 255	0–100%
2	Orange	000 ⇔ 255	0–100%
3	Green	000 ⇔ 255	0–100%
4	Royal blue	000 ⇔ 255	0–100%
5	Blue	000 ⇔ 255	0–100%
6	Lime	000 ⇔ 255	0–100%
7	Zoom	000 ⇔ 255	Narrow to wide

6 Ch

Channel	Function	Value	Percent/Setting
1	Dimmer	000 ⇔ 255	0–100%
2	Dimmer fine	000 ⇔ 255	0–100%
3	Color temperature	000 ⇔ 255	See Color Temperature Chart
4	Hue	000 ⇔ 255	-25–25
5	Zoom	000 ⇔ 255	Narrow to wide
6	Strobe	000 ⇔ 010	No function
		011 ⇔ 255	Strobe, slow to fast

4 Ch

Channel	Function	Value	Percent/Setting
1	Dimmer	000 ⇔ 255	0–100%
2	Color temperature	000 ⇔ 255	See Color Temperature Chart
3	Hue	000 ⇔ 255	-25–25
4	Zoom	000 ⇔ 255	Narrow to wide

1 Ch

Channel	Function	Value	Percent/Setting
1	Dimmer	000 ⇔ 255	0–100%

Acerca de Esta Guía

La Guía de Referencia Rápida (GRR) del Ovation F-415VW contiene información básica sobre el producto, como montaje, opciones de menú y valores DMX. Descargue el Manual de Usuario de www.chauvetprofessional.com para información más detallada.

Exención de Responsabilidad

La información y especificaciones contenidas en esta GRR están sujetas a cambio sin previo aviso.

GARANTÍA LIMITADA

PARA VER EL REGISTRO DE GARANTÍA Y LOS TÉRMINOS Y CONDICIONES COMPLETOS, VISITE NUESTRO SITIO WEB.

Para clientes en los Estados Unidos y México: www.chauvetlighting.com/warranty-registration

Para clientes en Reino Unido, República de Irlanda, Bélgica, Países Bajos, Luxemburgo, Francia y Alemania: www.chauvetlighting.eu/warranty-registration/

Chauvet garantiza que este producto estará libre de defectos de material y mano de obra en condiciones de uso normales, durante el periodo especificado, sujeto siempre a las exclusiones y limitaciones establecidas en la garantía limitada completa de nuestro sitio web. Esta garantía se concede únicamente al comprador original del producto y no es transferible. Para ejercer los derechos que otorga esta garantía, usted debe proporcionar una prueba de compra en forma de un recibo de compra original, expedido por un distribuidor autorizado, donde figure el nombre del producto y la fecha de compra. NO EXISTEN OTRAS GARANTÍAS EXPRESAS NI IMPLÍCITAS. Esta garantía le otorga derechos legales específicos. Es posible que a usted le asistan otros derechos, que variarán dependiendo del estado o del país. Esta garantía solamente es válida en los Estados Unidos, Reino Unido, República de Irlanda, Bélgica, Países Bajos, Luxemburgo, Francia, Alemania y México. Para conocer los términos de garantía en otros países, consulte a su distribuidor local.

Notas de Seguridad

Estas notas de seguridad incluyen información importante sobre el montaje, uso y mantenimiento.

- NO abra este producto. No contiene piezas reparables por el usuario.
- NO mire a la fuente de luz cuando el producto esté encendido.
- Para evitar un desgaste innecesario y alargar su vida útil, desconecte complemente el producto de la alimentación, mediante el interruptor o desenchufándolo, durante los periodos en los que no se use.
- Cuidado: cuando transfiera el producto desde ambientes con temperatura extrema (p. ej., del remolque frío de un camión a una sala de baile con calor y humedad), puede formarse condensación en la electrónica interna del producto. Para evitar que se produzca una avería, deje que el producto se aclimate completamente al ambiente antes de conectar la alimentación.
- ¡CUIDADO! La carcasa de este producto está caliente cuando las luces están en funcionamiento.
- Monte este producto en una ubicación con ventilación adecuada, al menos a 20" (50 cm) de superficies adyacentes.
- NO deje ningún material inflamable a menos de 50 cm de este producto mientras esté funcionando o conectado a la alimentación.
- USE un cable de seguridad cuando monte este producto en lo alto.
- NO ponga en funcionamiento este producto en el exterior o en cualquier ubicación en la que el polvo, calor excesivo, agua o humedad puedan afectarlo. (IP20)
- NO ponga en funcionamiento este producto si sospecha que la carcasa, lentes o cables están dañados.
- No conecte nunca este producto a fuentes de alimentación de CA y CC al mismo tiempo.
- NO conecte este producto a un atenuador o reostato.
- Conecte este producto SOLO a un circuito con toma de tierra y protegido.
- Use SOLAMENTE los soportes de colgar/montar o las asas para mover este producto.
- En caso de un problema grave de funcionamiento, deje de usarlo inmediatamente.
- La máxima temperatura ambiente es de 113 °F (45 °C). No haga funcionar este producto a temperaturas más altas.

Cumplimiento de la FCC

Este dispositivo cumple la parte 15, parte B de las normas FCC. El Funcionamiento está supeditado al cumplimiento de estas dos condiciones:

1. Este dispositivo no puede causar interferencias perjudiciales; y
2. Este dispositivo debe aceptar cualquier interferencia recibida, incluyendo las interferencias que puedan causar un funcionamiento no deseado.

Cualquier cambio o modificación que no haya sido expresamente autorizado por la parte responsable de conformidad puede anular la potestad del usuario para hacer funcionar el equipo.

Contacto

Fuera de EE. UU., Reino Unido, Irlanda, Benelux, Francia, Alemania o México, póngase en contacto con su distribuidor para solicitar asistencia o devolver el producto. Visite [Contact Us](#) para información de contacto.

Qué va Incluido

- Ovation F-415VW
- Marco de gel (Accesorios de 159 mm/6,25 in)
- Cable de Alimentación Neutrik® powerCON®
- Quick Reference Guide

Alimentación CC/CA

Este producto tiene una fuente de alimentación con detección automática que funciona con un rango de tensión de entrada de 100–240 VCA, 50/60 Hz o 28 VCC de una batería regulada acondicionada profesional (por ejemplo, Anton Bauer o Block Battery). No conecte nunca ambas fuentes de alimentación al mismo tiempo.

Alimentación en Cadena

Puede enlazar hasta 12 productos Ovation F-415VW a 120 V, 21 productos a 208 V o 23 productos a 230 V. Los cables de alimentación en cadena se pueden adquirir por separado

Enchufe CA

Conexión	Cable (EE.UU.)	Cable (Europa)	Color del tornillo
CA Cargado	Negro	Marrón	Amarillo/Latón
CA Neutro	Blanco	Azul	Plata
CA Tierra	Verde/Amarillo	Verde/Amarillo	Verde

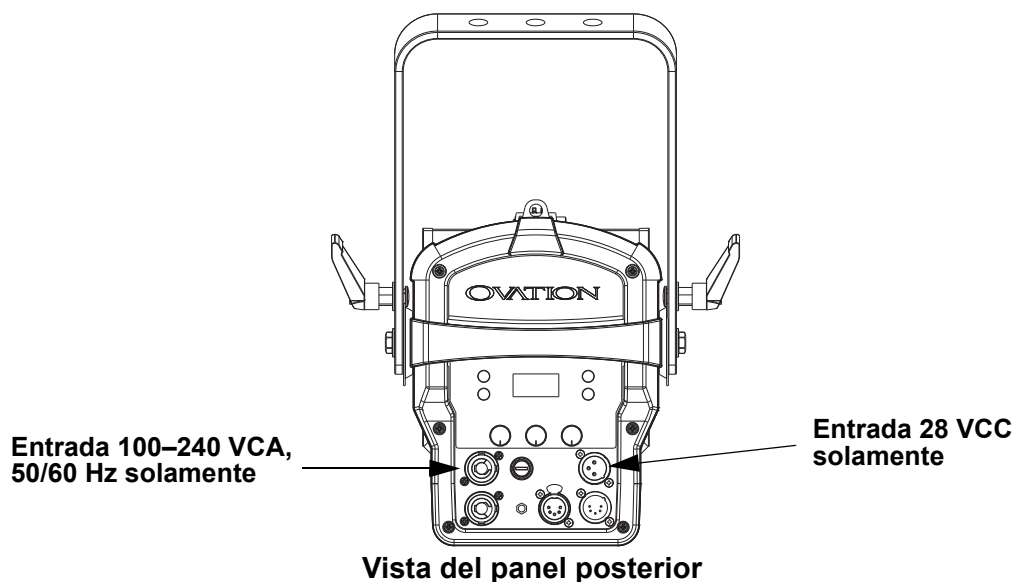


- Para evitar un desgaste innecesario y alargar su vida útil, desconecte complemente el producto de la alimentación, mediante el interruptor o desenchufándolo, durante los periodos en los que no se use.
- No conecte nunca este producto a fuentes de alimentación de CA y CC al mismo tiempo.

Sustitución del Fusible

1. Desconecte el producto de la toma de corriente.
2. Con un destornillador de estrella N°2 desatornille la tapa del portafusibles.
3. Quite el fusible fundido del portafusibles y sustitúyalo con otro del mismo tipo y categoría.
4. Vuelva a atornillar la tapa del portafusibles en su sitio y conecte de nuevo la alimentación.

Diagrama del Poder



Enlace DMX

El Ovation F-415VW funcionará con un controlador DMX usando una conexión serie DMX normal. Hay un Manual DMX disponible en www.chauvetprofessional.com.

Conexión DMX

El Ovation F-415VW usa una conexión de datos DMX normal para sus 8 personalidades DMX: **1 Ch, 4 Ch, 6 Ch, 7 Ch, 9 Ch, 13 Ch, 16 Ch y 18 Ch**. Vea el Manual de usuario para conectar y configurar para funcionamiento DMX

Conexión Maestro/Esclavo

El Ovation F-415VW usa la conexión de datos DMX para su modo Maestro/Esclavo Vea el Manual de usuario para conectar y configurar para funcionamiento Maestro/Esclavo.

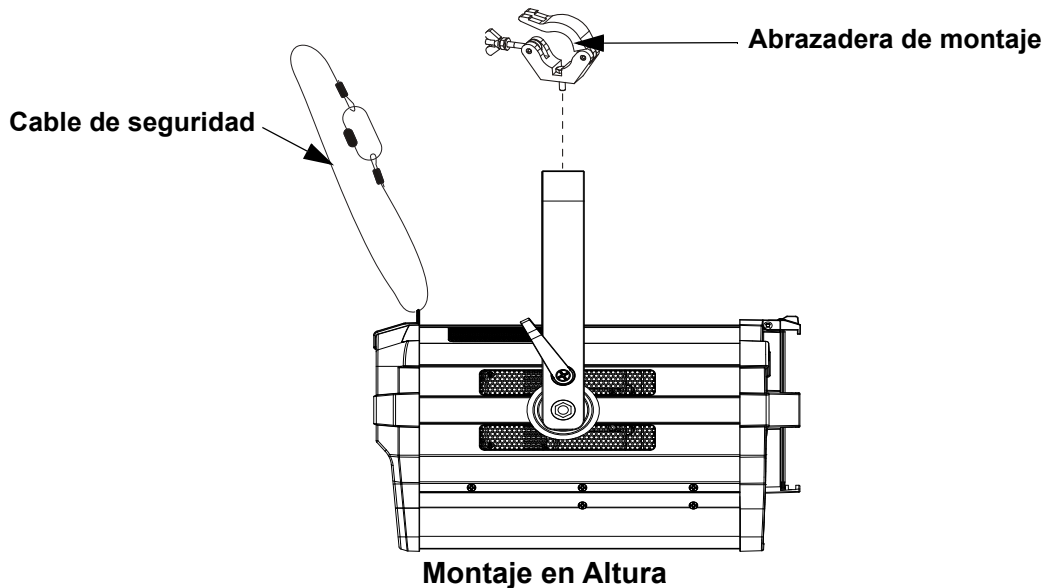
RDM (Gestión Remota del Dispositivo)

Remote Device Management (gestión remota del dispositivo) o RDM, es un estándar que permite a los dispositivos con capacidad DMX una comunicación bidireccional por un cableado DMX existente. El Ovation F-415VW admite protocolo RDM, que posibilita información para supervisar cambiar las opciones del mapa de menú. Descargue el manual de usuario de www.chauvetprofessional.com para una información más detallada

Montaje

Antes de montar este producto, lea las [Notas de Seguridad](#). Asegúrese de que las abrazaderas de montaje son capaces de soportar el peso del producto. Para nuestra línea Chauvet de abrazaderas de montaje, visite: <http://trusst.com/productcategory/truss-clamps/>

Diagrama de Montaje del Producto



Descripción del Panel de Control

Botón	Función
<MENU>	Salir del menú o función actual
<ENTER>	Habilita el menú actualmente en pantalla o configura el valor seleccionado actualmente dentro de la función seleccionada
<UP>	Navega hacia arriba por la lista de menú o aumenta el valor numérico cuando está en una función
<DOWN>	Navega hacia abajo por la lista de menú o disminuye el valor numérico cuando está en una función
<Color Temperature>	Empuje una vez y después gire para seleccionar la temperatura de color. Empuje de nuevo y después gire para seleccionar el matiz.
<Dimmer>	Empuje y después gire para aumentar o reducir el atenuador
<Zoom>	Empuje y después gire para aumentar o reducir el zoom

Gráfico de Temperaturas de Color

Valor del Canal DMX	Temperatura de color	Valor del Canal DMX	Temperatura de color	Valor del Canal DMX	Temperatura de color
000 ⇔ 005	2800K/Sin función	083 ⇔ 090	3900–4000K	167 ⇔ 174	5100–5200K
006 ⇔ 013	2800–2900K	090 ⇔ 097	4000–4100K	174 ⇔ 181	5200–5300K
013 ⇔ 020	2900–3000K	097 ⇔ 104	4100–4200K	181 ⇔ 188	5300–5400K
020 ⇔ 027	3000–3100K	104 ⇔ 111	4200–4300K	188 ⇔ 195	5400–5500K
027 ⇔ 034	3100–3200K	111 ⇔ 118	4300–4400K	195 ⇔ 202	5500–5600K
034 ⇔ 041	3200–3300K	118 ⇔ 125	4400–4500K	202 ⇔ 209	5600–5700K
041 ⇔ 048	3300–3400K	125 ⇔ 132	4500–4600K	209 ⇔ 216	5700–6000K
048 ⇔ 055	3400–3500K	132 ⇔ 139	4600–4700K	216 ⇔ 223	6000–6500K
055 ⇔ 062	3500–3600K	139 ⇔ 146	4700–4800K	223 ⇔ 230	6500–7000K
062 ⇔ 069	3600–3700K	146 ⇔ 153	4800–4900K	230 ⇔ 237	7000–7500K
069 ⇔ 076	3700–3800K	153 ⇔ 160	4900–5000K	237 ⇔ 244	7500–8000K
076 ⇔ 083	3800–3900K	160 ⇔ 167	5000–5100K	244 ⇔ 255	8000K



Nota: Las temperaturas de color que aparecen arriba son interpretaciones simuladas de la emisión de color producida cuando se compara con una lámpara de tungsteno a la temperatura de color especificada. Chauvet no garantiza la exactitud del color emitido.

Mapa de Menú

Nivel Principal	Niveles de Programación		Descripción	
DMX Address	001–509*		Selecciona la dirección de inicio (canal más alto restringido a la elección de personalidad)	
DMX Channel	1 Ch		1-canal: atenuador	
	4 Ch		4-canales: atenuador, temperatura de color, matiz, zoom	
	6 Ch		6-canales: 16 bits atenuador, temperatura de color, matiz, zoom, estroboscopio	
	7 Ch		7-canales: rojo, naranja, verde, azul real, azul, lime, zoom	
	9 Ch		9-canales: atenuador, rojo, naranja, verde, azul real, azul, lime, estroboscopio, zoom	
	13 Ch		13-canales: atenuador, rojo, naranja, verde, azul real, azul, lime, estroboscopio, temperatura de color, matiz, velocidad atenuador, zoom, reinicio del motor	
	16 Ch		16-canales: 16 bits atenuador, 16 bits rojo, naranja, verde, azul real, azul y lime, estroboscopio, zoom	
Static	Color Temperature	18 Ch		18-canales: 16 bits atenuador, 16 bits rojo, naranja, verde, azul real, azul y lime, estroboscopio, temperatura de color, matiz, zoom
		Dimmer	000–100	2800K
				2900K
				3000K
				3100K
				3200K
				3300K
				3400K
				3500K
				3600K
				3700K
				3800K
				3900K
				4000K
				4100K
		4200K		
		4300K		
		4400K		
		4500K		
		4600K		
		4700K		
		4800K		
		4900K		
		5000K		
		5100K		
		5200K		
		5300K		
		5400K		
5500K				
5600K				
5700K				
6000K				
6500K				
7000K				
7500K				
8000K				
Hue	-25–25	Establece la temperatura de color y niveles atenuador y matiz (verde/magenta). Emula una lámpara de tungsteno a la temperatura de color especificada		

Nivel Principal	Niveles de Programación		Descripción	
Static	Manual Color Mixer	Red	<000–255> Combina rojo, naranja, verde, azul real, azul y lime para generar un color personalizado (0–100%)	
		Orange		
		Green		
		Royal Blue		
		Blue		
		Lime		
Zoom	0–255		Controla el zoom	
Master/Slave	Master		Modo DMX (maestro)	
	Slave		Modo esclavo	
Dimmer Mode	Off		Atenuador lineal	
	Dimmer 1–3		Curvas de atenuador rápido (Dimmer 1) a lento (Dimmer 3)	
White Balance	Off		Utiliza la configuración de blanco predeterminada de fábrica	
	Manual	Red	<125–255> Establece el valor máximo de LED rojo	
		Orange		Establece el valor máximo de LED naranja
		Green		Establece el valor máximo de LED verde
		Royal Blue		Establece el valor máximo de LED azul real
		Blue		Establece el valor máximo de LED azul
		Lime		Establece el valor máximo de LED lime
LED Frequency	600Hz		Selecciona la frecuencia de emisión PWM	
	1200Hz			
	2000Hz			
	4000Hz			
	6000Hz			
	25KHz			
Fan Mode	Auto		Establece el ventilador a modo auto	
	On		Establece el ventilador a modo siempre encendido	
	Off		Establece el ventilador siempre apagado	
	Silent		Establece el ventilador en silencio	
Back Light	10S		Retro-iluminación de la pantalla se apaga después de 10 segundos de inactividad	
	30S		Retro-iluminación de la pantalla se apaga después de 30 segundos de inactividad	
	2Min		Retro-iluminación de la pantalla se apaga después de 2 minutos de inactividad	
	Always On		Retro-iluminación de la pantalla siempre activa	
Information	Fixture Hours	<_ _ _ H>	Muestra el nombre total de las horas del producto	
	Version	<V_ _>	Muestra instalada la versión de firmware	
	UID	<_ _ _ _ _ _ _ _>	Muestra el UID # del producto	
Reset Zoom w/ Power	No		Reinicia la configuración del zoom cuando el producto está apagado	
	Yes			
Reset Factory	No		Reinicia a la configuración de fábrica	
	Yes			

ES

Valores DMX

18 Ch

Canal	Función	Valor	Porcentaje/Configuración
1	Atenuador	000 ⇔ 255	0–100%
2	Atenuador fino	000 ⇔ 255	0–100%
3	Rojo	000 ⇔ 255	0–100%
4	Rojo fino	000 ⇔ 255	0–100%
5	Naranja	000 ⇔ 255	0–100%
6	Naranja fino	000 ⇔ 255	0–100%
7	Verde	000 ⇔ 255	0–100%
8	Verde fino	000 ⇔ 255	0–100%
9	Azul real	000 ⇔ 255	0–100%
10	Azul real fino	000 ⇔ 255	0–100%
11	Azul	000 ⇔ 255	0–100%
12	Azul fino	000 ⇔ 255	0–100%
13	Lime	000 ⇔ 255	0–100%
14	Lime fino	000 ⇔ 255	0–100%
15	Estroboscopio	000 ⇔ 010 011 ⇔ 255	Sin función Estroboscopio, lento a rápido
16	Temperatura de color	000 ⇔ 255	Vea Gráfico de Temperaturas de Color
17	Matiz	000 ⇔ 255	-25–25
18	Zoom	000 ⇔ 255	Estrecho a ancho

16 Ch

Canal	Función	Valor	Porcentaje/Configuración
1	Atenuador	000 ⇔ 255	0–100%
2	Atenuador fino	000 ⇔ 255	0–100%
3	Rojo	000 ⇔ 255	0–100%
4	Rojo fino	000 ⇔ 255	0–100%
5	Naranja	000 ⇔ 255	0–100%
6	Naranja fino	000 ⇔ 255	0–100%
7	Verde	000 ⇔ 255	0–100%
8	Verde fino	000 ⇔ 255	0–100%
9	Azul real	000 ⇔ 255	0–100%
10	Azul real fino	000 ⇔ 255	0–100%
11	Azul	000 ⇔ 255	0–100%
12	Azul fino	000 ⇔ 255	0–100%
13	Lime	000 ⇔ 255	0–100%
14	Lime fino	000 ⇔ 255	0–100%
15	Estroboscopio	000 ⇔ 010 011 ⇔ 255	Sin función Estroboscopio, lento a rápido
16	Zoom	000 ⇔ 255	Estrecho a ancho

13 Ch

Canal	Función	Valor	Porcentaje/Configuración
1	Atenuador	000 ⇔ 255	0–100%
2	Rojo	000 ⇔ 255	0–100%
3	Naranja	000 ⇔ 255	0–100%
4	Verde	000 ⇔ 255	0–100%
5	Azul real	000 ⇔ 255	0–100%
6	Azul	000 ⇔ 255	0–100%
7	Lime	000 ⇔ 255	0–100%
8	Estroboscopio	000 ⇔ 010 011 ⇔ 255	Sin función Estroboscopio, lento a rápido
9	Temperatura de color	000 ⇔ 255	Vea Gráfico de Temperaturas de Color
10	Matiz	000 ⇔ 255	-25–25

Canal	Función	Valor	Porcentaje/Configuración
11	Velocidad Atenuador	000 ⇔ 051	Sin función
		052 ⇔ 101	Atenuador lineal
		102 ⇔ 152	Curva de atenuador 1
		153 ⇔ 203	Curva de atenuador 2
		204 ⇔ 255	Curva de atenuador 3
12	Zoom	000 ⇔ 255	Estrecho a ancho
13	Reinicio del motor	000 ⇔ 200	Sin función
		201 ⇔ 220	Reinicio del motor
		221 ⇔ 255	Sin función

9 Ch

Canal	Función	Valor	Porcentaje/Configuración
1	Atenuador	000 ⇔ 255	0–100%
2	Rojo	000 ⇔ 255	0–100%
3	Naranja	000 ⇔ 255	0–100%
4	Verde	000 ⇔ 255	0–100%
5	Azul real	000 ⇔ 255	0–100%
6	Azul	000 ⇔ 255	0–100%
7	Lime	000 ⇔ 255	0–100%
8	Estroboscopio	000 ⇔ 010	Sin función
		011 ⇔ 255	Estroboscopio, lento a rápido
9	Zoom	000 ⇔ 255	Estrecho a ancho

7 Ch

Canal	Función	Valor	Porcentaje/Configuración
1	Rojo	000 ⇔ 255	0–100%
2	Naranja	000 ⇔ 255	0–100%
3	Verde	000 ⇔ 255	0–100%
4	Azul real	000 ⇔ 255	0–100%
5	Azul	000 ⇔ 255	0–100%
6	Lime	000 ⇔ 255	0–100%
7	Zoom	000 ⇔ 255	Estrecho a ancho

6 Ch

Canal	Función	Valor	Porcentaje/Configuración
1	Atenuador	000 ⇔ 255	0–100%
2	Atenuador fino	000 ⇔ 255	0–100%
3	Temperatura de color	000 ⇔ 255	Vea Gráfico de Temperaturas de Color
4	Matiz	000 ⇔ 255	-25–25
5	Zoom	000 ⇔ 255	Estrecho a ancho
6	Estroboscopio	000 ⇔ 010	Sin función
		011 ⇔ 255	Estroboscopio, lento a rápido

4 Ch

Canal	Función	Valor	Porcentaje/Configuración
1	Atenuador	000 ⇔ 255	0–100%
2	Temperatura de color	000 ⇔ 255	Vea Gráfico de Temperaturas de Color
3	Matiz	000 ⇔ 255	-25–25
4	Zoom	000 ⇔ 255	Estrecho a ancho

1 Ch

Canal	Función	Valor	Porcentaje/Configuración
1	Atenuador	000 ⇔ 255	0–100%

À Propos de ce Manuel

Le Manuel de Référence (MdR) Ovation F-415VW reprend des informations de base sur ce produit notamment en matière de connexions, montage, options de menu et valeurs DMX. Téléchargez le manuel d'utilisation sur www.chauvetprofessional.com pour de plus amples informations.

Clause de Non-Responsabilité

Les informations et caractéristiques contenues dans ce manuel sont sujettes à changement sans préavis.

GARANTIE LIMITÉE

VEUILLEZ VISITER NOTRE SITE INTERNET POUR CONSULTER LES MODALITÉS D'ENREGISTREMENT DE LA GARANTIE ET LES CONDITIONS GÉNÉRALES COMPLÈTES.

Pour les clients aux États-Unis et au Mexique: www.chauvetlighting.com/warranty-registration

Pour les clients du Royaume-Uni, de la République d'Irlande, de la Belgique, des Pays-Bas, du Luxembourg, de la France et de l'Allemagne: www.chauvetlighting.eu/warranty-registration/

Chauvet garantit que cet appareil est exempt de défauts de matériaux et de fabrication dans des conditions normales d'utilisation, pendant la période spécifiée dans la garantie limitée complète consultable sur notre site Internet et sous réserve des exclusions et limitations qui y sont énoncées. Cette garantie ne s'applique qu'à l'acheteur initial du produit et n'est pas transférable. Pour exercer les droits prévus par cette garantie, vous devez fournir une preuve d'achat sous la forme d'un reçu de vente original d'un revendeur autorisé qui indique le nom du produit et la date d'achat. IL N'EXISTE AUCUNE AUTRE GARANTIE EXPRESSE OU IMPLICITE. Cette garantie vous confère des droits légaux spécifique. Vous pouvez également bénéficier d'autres droits qui varient selon les états et les pays. Cette garantie n'est valable qu'aux États-Unis, au Royaume-Uni, en République d'Irlande, en Belgique, aux Pays-Bas, au Luxembourg, en France, en Allemagne et au Mexique. Pour connaître les conditions de garantie dans d'autres pays, veuillez consulter votre revendeur local.

Consignes de Sécurité

Ces consignes de sécurité contiennent des informations importantes en matière d'installation, d'utilisation et d'entretien.

- N'ouvrez PAS ce produit. Il ne contient aucun composant susceptible d'être réparé par l'utilisateur.
- Ne regardez PAS la source lumineuse lorsque le produit fonctionne.
- Durant les périodes de non-utilisation, pour éviter tout usure inutile et pour prolonger la durée de vie, déconnectez-entièrement l'appareil en le débranchant de l'alimentation électrique ou en coupant le disjoncteur.
- ATTENTION: Lorsque l'appareil est transféré d'un environnement à température extrême à un autre (par exemple d'un camion froid vers une salle de bal chaude et humide), de la condensation peut se former sur les composants électriques internes. Pour éviter de causer des dommages, laissez l'appareil s'acclimater entièrement au milieu environnant avant de le mettre sous tension.
- ATTENTION: le boîtier de ce produit est brûlant lors du fonctionnement.
- Montez toujours ce produit dans un endroit bien ventilé, à au moins, 20 pouces (50 cm) des surfaces adjacentes.
- Ne laissez AUCUNE source inflammable dans un rayon de 50 cm du produit lorsque celui-ci fonctionne.
- Utilisez TOUJOURS un câble de sécurité lorsque vous montez ce produit en hauteur.
- N'utilisez PAS ce produit en extérieur ou tout autre endroit où de la poussière, une chaleur excessive, de l'eau ou de l'humidité pour en affecter le fonctionnement. (IP20)
- N'utilisez PAS ce produit si le boîtier, les lentilles ou les câbles vous semblent endommagés.
- Ne jamais connecter cet appareil à des sources d'alimentation CA et CC en même temps.
- Ne connectez PAS ce produit ni à un gradateur ni à un rhéostat.
- Connectez UNIQUEMENT ce produit à un circuit protégé et relié à la terre.
- Transportez/Suspendez ce produit UNIQUEMENT au moyen de la poignée ou lyre de suspension dont il est doté.
- En cas de sérieux problèmes de fonctionnement, arrêtez le système immédiatement.
- La température ambiante maximale supportée par ce produit est de 113 °F (45 °C). Ne le faites pas fonctionner à des températures plus élevées.

Conformité FCC

Cet appareil est conforme à la partie 15, sous-partie B du règlement de la FCC. L'utilisation est soumise aux deux conditions suivantes:

1. Cet appareil ne doit pas causer d'interférences nuisibles, et
2. Cet appareil doit accepter toutes les interférences reçues, y compris celles pouvant entraîner un fonctionnement indésirable.

Tout changement ou modification non expressément approuvé par l'autorité responsable de la conformité pourrait annuler le droit de l'utilisateur à utiliser l'équipement.

Contact

En dehors des États-Unis, du Royaume-Uni, de l'Irlande, du Benelux, de la France, de l'Allemagne, ou du Mexique, contactez votre fournisseur si vous avez besoin d'assistance ou de retourner votre appareil. Consultez le site [Contact Us](#) pour trouver nos coordonnées.

Ce qui est inclus

- Ovation F-415VW
- Un Cordon d'Alimentation Neutrik® powerCON®
- Cadre pour gélatine (159 mm/6,25 in accessoires)
- Quick Reference Guide

Alimentation AC/DC

Ce produit est doté d'une alimentation automatique qui peut fonctionner avec une plage de tension d'entrée de 100-240 VCA, 50/60 Hz ou 28 VCC à partir d'une batterie professionnelle régulée et conditionnée (par exemple, Anton Bauer ou Block Battery). Ne jamais brancher les deux sources d'alimentation en même temps.

Connexion Électrique

Vous pouvez connecter jusqu'à 12 Ovation F-415VW à 120 V, 21 unités à 208 V ou 23 unités à 230 V. Vous pouvez vous procurer séparément des cordons d'alimentation..

Prise CA

Connexion	Câble (États-Unis)	Câble (Europe)	Couleur de la vis
Conducteur CA	Noir	Marron	Jaune/Cuivré
Neutre CA	Blanc	Bleu	Argenté
Terre CA	Vert/Jaune	Vert/Jaune	Vert

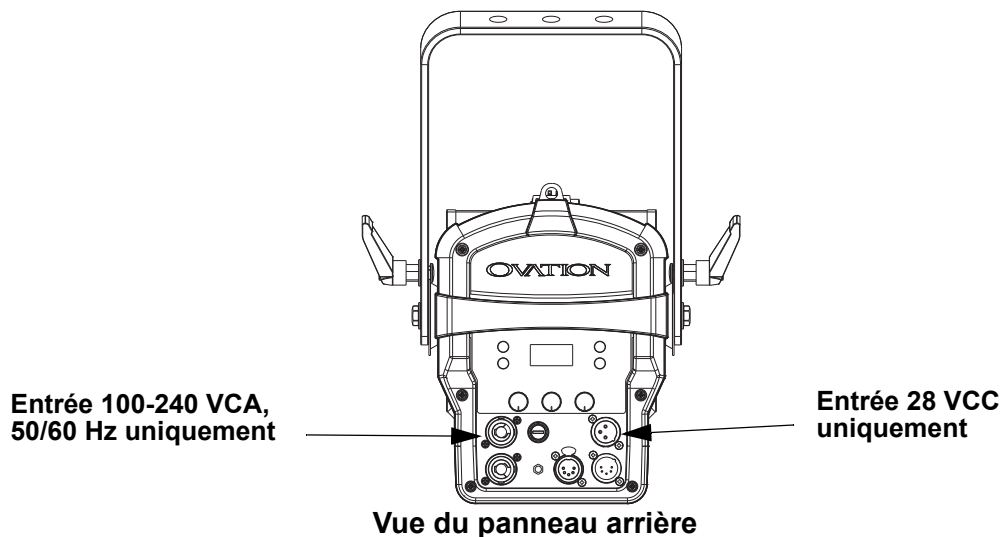


- **Durant les périodes de non-utilisation, pour éviter toute usure inutile et pour prolonger la durée de vie, déconnectez-entièrement l'appareil en le débranchant de l'alimentation électrique ou en coupant le disjoncteur.**
- **Ne jamais connecter cet appareil à des sources d'alimentation CA et CC en même temps.**

Remplacement du Fusible

1. Débranchez l'appareil de la prise.
2. À l'aide d'un tournevis Philips à tête n° 2, dévissez le couvercle du porte-fusible.
3. Remplacez le fusible obsolète par un fusible neuf équivalent
4. Revissez le couvercle du porte-fusible et rebranchez l'unité.

Diagramme de Puissance



Raccordement DMX

Le Ovation F-415VW fonctionnera avec un jeu d'orgues DMX au moyen de connexions DMX en série standard. Une introduction au DMX est à votre disposition sur www.chauvetprofessional.com.

Connexion DMX

Le Ovation F-415VW utilise une connexion de données DMX standard pour ses 8 personnalités DMX: **1 Ch, 4 Ch, 6 Ch, 7 Ch, 9 Ch, 13 Ch, 16 Ch** et **18 Ch**. Consultez le manuel d'utilisation pour connecter et configurer le système DMX.

Connexion Maître/Esclave

Le Ovation F-415VW utilise une connexion de données DMX pour son mode Maître/Esclave. Consultez le Manuel d'Utilisation pour connecter et configurer le mode de fonctionnement Maître/Esclave.

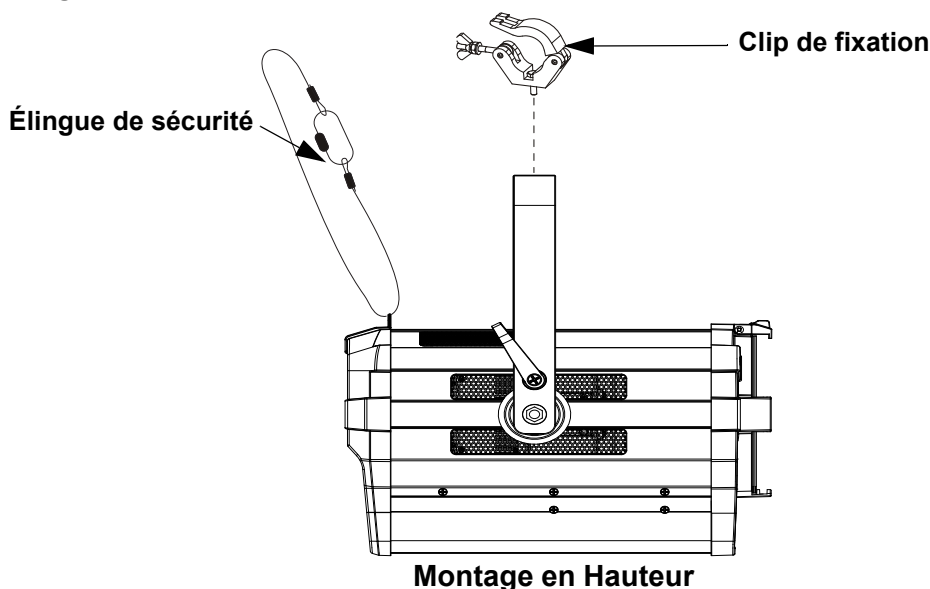
RDM (Gestion des périphériques à distance)

Le protocole RDM (gestion des périphériques à distance) est un standard pour la communication bidirectionnelle des appareils dotés de fonctions DMX dans un câblage DMX existant. Le Ovation F-415VW supporte le protocole RDM permettant un retour d'information pour la surveillance et des changements des options de menu. Veuillez télécharger le manuel de l'utilisateur à partir du site internet www.chauvetprofessional.com pour plus de détails.

Installation

Avant de monter cet appareil, lisez et assimilez les [Consignes de Sécurité](#). Veillez à ce que les fixations sont capables de supporter le poids de l'unité. Découvrez notre gamme de fixations Chauvet sur <http://trusst.com/productcategory/truss-clamps/>

Schéma de Montage de l'Appareil



Description du Tableau de Commandes

Bouton	Fonction
<MENU>	Permet la sortie du menu ou de la fonction en cours
<ENTER>	Permet l'affichage du menu en cours ou permet de configurer la valeur en cours dans la fonction sélectionnée
<UP>	Permet de parcourir les listes ou les menus vers le haut, dans une fonction permet d'augmenter les valeurs numériques
<DOWN>	Permet de parcourir les listes ou les menus vers le bas, dans une fonction permet de diminuer les valeurs numériques
<Color Temperature>	Appuyez une fois puis tournez pour sélectionner la température de couleur. Appuyez à nouveau, puis tournez pour sélectionner la teinte.
<Dimmer>	Appuyez puis tournez pour augmenter ou diminuer le gradateur
<Zoom>	Appuyez puis tournez pour augmenter ou diminuer le zoom

Gamme des Températures de Couleur

Valeurs des Canaux DMX	Température de couleur	Valeurs des Canaux DMX	Température de couleur	Valeurs des Canaux DMX	Température de couleur
000 ⇔ 005	2800K/Pas de fonction	083 ⇔ 090	3900–4000K	167 ⇔ 174	5100–5200K
006 ⇔ 013	2800–2900K	090 ⇔ 097	4000–4100K	174 ⇔ 181	5200–5300K
013 ⇔ 020	2900–3000K	097 ⇔ 104	4100–4200K	181 ⇔ 188	5300–5400K
020 ⇔ 027	3000–3100K	104 ⇔ 111	4200–4300K	188 ⇔ 195	5400–5500K
027 ⇔ 034	3100–3200K	111 ⇔ 118	4300–4400K	195 ⇔ 202	5500–5600K
034 ⇔ 041	3200–3300K	118 ⇔ 125	4400–4500K	202 ⇔ 209	5600–5700K
041 ⇔ 048	3300–3400K	125 ⇔ 132	4500–4600K	209 ⇔ 216	5700–6000K
048 ⇔ 055	3400–3500K	132 ⇔ 139	4600–4700K	216 ⇔ 223	6000–6500K
055 ⇔ 062	3500–3600K	139 ⇔ 146	4700–4800K	223 ⇔ 230	6500–7000K
062 ⇔ 069	3600–3700K	146 ⇔ 153	4800–4900K	230 ⇔ 237	7000–7500K
069 ⇔ 076	3700–3800K	153 ⇔ 160	4900–5000K	237 ⇔ 244	7500–8000K
076 ⇔ 083	3800–3900K	160 ⇔ 167	5000–5100K	244 ⇔ 255	8000K



Remarque: Les températures de couleur ci-dessus sont des rendus simulés de la sortie de couleur effectivement générée par comparaison avec une lampe tungstène à la température de couleur spécifiée. Chauvet ne donne aucune garantie sur la précision de la sortie de couleur.

Tableau de Menu

Niveau Principal	Niveaux de Programmation			Description	
DMX Address	001–509*			Permet de sélectionner l'adresse de démarrage (le canal le plus élevé est restreint à la personnalité choisie)	
DMX Channel	1 Ch			1-canaux: gradateur	
	4 Ch			4-canaux: gradateur, température de couleur, teinte, zoom	
	6 Ch			6-canaux: gradateur 16-bit, température de couleur, teinte, zoom, stroboscope	
	7 Ch			7-canaux: rouge, orange, vert, bleu royal, bleu, lime, zoom	
	9 Ch			9-canaux: gradateur, rouge, orange, vert, bleu royal, bleu, lime, stroboscope, zoom	
	13 Ch			13-canaux: gradateur, rouge, orange, vert, bleu royal, bleu, lime, stroboscope, température de couleur, teinte, mode gradation, zoom, réinitialisation du moteur	
	16 Ch			16-canaux: gradateur 16-bit, rouge, orange, vert, bleu royal, bleu et lime 16-bit, stroboscope, zoom	
	18 Ch			18-canaux: gradateur 16-bit, rouge, orange, vert, bleu royal, bleu et lime 16-bit, stroboscope, température de couleur, teinte, zoom	
Static	Color Temperature	2800K	Dimmer	000–100	Permet de sélectionner le température de couleur, gradateur et teinte (vert/magenta) niveaux. Simule une lampe tungstène à la température de couleur spécifiée
		2900K			
		3000K			
		3100K			
		3200K			
		3300K			
		3400K			
		3500K			
		3600K			
		3700K			
		3800K			
		3900K			
		4000K			
		4100K			
		4200K			
		4300K			
		4400K			
		4500K			
		4600K			
		4700K			
		4800K			
		4900K			
		5000K			
		5100K			
		5200K			
		5300K			
		5400K			
		5500K			
		5600K			
		5700K			
		6000K			
		6500K			
7000K					
7500K					
8000K					
			Hue	-25–25	

Niveau Principal	Niveaux de Programmation		Description
Static	Manual Color Mixer	Red	<000–255> Combine les couleurs rouge, orange, vert, bleu royal, bleu et lime pour un résultat personnalisé (0–100%)
		Orange	
		Green	
		Royal Blue	
		Blue	
Zoom		0–255	Commande du zoom
Master/Slave		Master	Mode DMX (Maître)
		Slave	Mode esclave
Dimmer Mode		Off	Gradateur linéaire
		Dimmer 1–3	Courbes de gradation rapide (Dimmer 1) à lent (Dimmer 3)
White Balance	Manual	Off	Utilise le paramétrage de blanc défini en usine
		Red	Définit la valeur maximale de LED rouge
		Orange	Définit la valeur maximale de LED orange
		Green	Définit la valeur maximale de LED vert
		Royal Blue	Définit la valeur maximale de LED bleu royal
		Blue	Définit la valeur maximale de LED bleu
LED Frequency		600Hz 1200Hz 2000Hz 4000Hz 6000Hz 25KHz	Permet de sélectionner la fréquence de sortie MLI
Fan Mode		Auto	Réglez le ventilateur en mode automatique
		On	Réglez le mode de ventilateur toujours
		Off	Réglez le ventilateur sur toujours
		Silent	Réglez le ventilateur sur silencieux
Back Light		10S	Désactive l'affichage rétro-éclairage après 10 secondes d'inactivité
		30S	Désactive l'affichage rétro-éclairage après 30 secondes d'inactivité
		2Min	Désactive l'affichage rétro-éclairage après 2 minutes d'inactivité
		Always On	Affichage rétro-éclairage toujours active
Information	Fixture Hours	<_ _ _ _H>	Affiche le nombre total des heures du produit
	Version	<V_._>	Affiche la version du logiciel installée
	UID	<_ _ _ _ _ _ _ _ _ _>	Affiche UID actuel
Reset Zoom w/ Power		No	Permet de réinitialiser les paramètres de zoom lorsque le produit est éteint
		Yes	
Reset Factory		No	Permet de réinitialiser aux valeurs par défaut d'usine
		Yes	

Valeurs DMX
18 Ch

Canal	Fonction	Valeur	Pourcentage/Configuration
1	Gradateur	000 ⇄ 255	0–100%
2	Gradateur fin	000 ⇄ 255	0–100%
3	Rouge	000 ⇄ 255	0–100%
4	Rouge fin	000 ⇄ 255	0–100%
5	Orange	000 ⇄ 255	0–100%
6	Orange fin	000 ⇄ 255	0–100%
7	Vert	000 ⇄ 255	0–100%
8	Vert fin	000 ⇄ 255	0–100%
9	Bleu royal	000 ⇄ 255	0–100%
10	Bleu royal fin	000 ⇄ 255	0–100%
11	Bleu	000 ⇄ 255	0–100%
12	Bleu fin	000 ⇄ 255	0–100%
13	Lime	000 ⇄ 255	0–100%
14	Lime fin	000 ⇄ 255	0–100%
15	Stroboscope	000 ⇄ 010 011 ⇄ 255	Pas de fonction Stroboscope, lent à rapide
16	Température de la couleur	000 ⇄ 255	Consultez Gamme des Températures de Couleur
17	Teinte	000 ⇄ 255	-25–25
18	Zoom	000 ⇄ 255	Étroit à large

16 Ch

Canal	Fonction	Valeur	Pourcentage/Configuration
1	Gradateur	000 ⇄ 255	0–100%
2	Gradateur fin	000 ⇄ 255	0–100%
3	Rouge	000 ⇄ 255	0–100%
4	Rouge fin	000 ⇄ 255	0–100%
5	Orange	000 ⇄ 255	0–100%
6	Orange fin	000 ⇄ 255	0–100%
7	Vert	000 ⇄ 255	0–100%
8	Vert fin	000 ⇄ 255	0–100%
9	Bleu royal	000 ⇄ 255	0–100%
10	Bleu royal fin	000 ⇄ 255	0–100%
11	Bleu	000 ⇄ 255	0–100%
12	Bleu fin	000 ⇄ 255	0–100%
13	Lime	000 ⇄ 255	0–100%
14	Lime fin	000 ⇄ 255	0–100%
15	Stroboscope	000 ⇄ 010 011 ⇄ 255	Pas de fonction Stroboscope, lent à rapide
16	Zoom	000 ⇄ 255	Étroit à large

13 Ch

Canal	Fonction	Valeur	Pourcentage/Configuration
1	Gradateur	000 ⇄ 255	0–100%
2	Rouge	000 ⇄ 255	0–100%
3	Orange	000 ⇄ 255	0–100%
4	Vert	000 ⇄ 255	0–100%
5	Bleu royal	000 ⇄ 255	0–100%
6	Bleu	000 ⇄ 255	0–100%
7	Lime	000 ⇄ 255	0–100%
8	Stroboscope	000 ⇄ 010 011 ⇄ 255	Pas de fonction Stroboscope, lent à rapide
9	Température de la couleur	000 ⇄ 255	Consultez Gamme des Températures de Couleur
10	Teinte	000 ⇄ 255	-25–25

FR

Canal	Fonction	Valeur	Pourcentage/Configuration
11	Vitesse du Gradateur	000 ⇔ 051	Pas de fonction Gradateur linéaire Courbe de gradation 1 Courbe de gradation 2 Courbe de gradation 3
		052 ⇔ 101	
		102 ⇔ 152	
		153 ⇔ 203	
		204 ⇔ 255	
12	Zoom	000 ⇔ 255	Étroit à large
13	Réinitialisation du moteur	000 ⇔ 200	Pas de fonction
		201 ⇔ 220	Réinitialisation du moteur
		221 ⇔ 255	Pas de fonction

9 Ch

Canal	Fonction	Valeur	Pourcentage/Configuration
1	Gradateur	000 ⇔ 255	0–100%
2	Rouge	000 ⇔ 255	0–100%
3	Orange	000 ⇔ 255	0–100%
4	Vert	000 ⇔ 255	0–100%
5	Bleu royal	000 ⇔ 255	0–100%
6	Bleu	000 ⇔ 255	0–100%
7	Lime	000 ⇔ 255	0–100%
8	Stroboscope	000 ⇔ 010	Pas de fonction
		011 ⇔ 255	Stroboscope, lent à rapide
9	Zoom	000 ⇔ 255	Étroit à large

7 Ch

Canal	Fonction	Valeur	Pourcentage/Configuration
1	Rouge	000 ⇔ 255	0–100%
2	Orange	000 ⇔ 255	0–100%
3	Vert	000 ⇔ 255	0–100%
4	Bleu royal	000 ⇔ 255	0–100%
5	Bleu	000 ⇔ 255	0–100%
6	Lime	000 ⇔ 255	0–100%
7	Zoom	000 ⇔ 255	Étroit à large

6 Ch

Canal	Fonction	Valeur	Pourcentage/Configuration
1	Gradateur	000 ⇔ 255	0–100%
2	Gradateur fin	000 ⇔ 255	0–100%
3	Température de la couleur	000 ⇔ 255	Consultez Gamme des Températures de Couleur
4	Teinte	000 ⇔ 255	-25–25
5	Zoom	000 ⇔ 255	Étroit à large
6	Stroboscope	000 ⇔ 010	Pas de fonction
		011 ⇔ 255	Stroboscope, lent à rapide

4 Ch

Canal	Fonction	Valeur	Pourcentage/Configuration
1	Gradateur	000 ⇔ 255	0–100%
2	Température de la couleur	000 ⇔ 255	Consultez Gamme des Températures de Couleur
3	Teinte	000 ⇔ 255	-25–25
4	Zoom	000 ⇔ 255	Étroit à large

1 Ch

Canal	Fonction	Valeur	Pourcentage/Configuration
1	Gradateur	000 ⇔ 255	0–100%

Über diese Schnellanleitung

In der Schnellanleitung des Ovation F-415VW finden Sie die wesentlichen Produktinformationen, wie etwa über den Anschluss, die Montage, Menüoptionen und DMX-Werte des Geräts. Laden Sie für weiterführende Informationen unter www.chauvetprofessional.com das Benutzerhandbuch herunter.

Haftungsausschluss

Die in dieser Anleitung aufgeführten Informationen und Spezifikationen können ohne vorherige Ankündigung geändert werden.

EINGESCHRÄNKTE GARANTIE

ZUR REGISTRIERUNG FÜR GARANTIEANSPRÜCHE UND ZUR EINSICHT IN DIE VOLLSTÄNDIGEN GESCHÄFTSBEDINGUNGEN BESUCHEN SIE BITTE UNSERE WEBSITE.

Für Kunden in den USA und in Mexiko: www.chauvetlighting.com/warranty-registration

Für Kunden im Vereinigten Königreich, in Irland, Belgien, den Niederlanden, Luxemburg, Frankreich und Deutschland: www.chauvetlighting.eu/warranty-registration/

Chauvet garantiert für die in der auf unserer Website veröffentlichten vollständigen eingeschränkten Garantie genannten Dauer und unter Vorbehalt der darin genannten Haftungsausschlüsse und -beschränkungen, dass dieses Produkt bei normaler Gebrauch frei von Material- und Verarbeitungsfehlern ist. Diese Garantie erstreckt sich nur auf den Erstkäufer des Produkts und ist nicht übertragbar. Zur Ausübung der unter dieser Garantie gewährten Rechte ist der Kaufbeleg in Form der Originalrechnung von einem autorisierten Händler vorzulegen, in der die Produktbezeichnung und das Kaufdatum vermerkt sein müssen. **ES BESTEHEN KEINE WEITEREN AUSDRÜCKLICHEN ODER STILLSCHWEIGENDEN GARANTIEEN.** Diese Garantie gibt Ihnen besondere gesetzliche Rechte. Und Sie haben möglicherweise weitere Rechte, die von Land zu Land unterschiedlich sein können. Diese Garantie ist nur in den USA, im Vereinigten Königreich, in Irland, Belgien, den Niederlanden, Luxemburg, Frankreich, Deutschland und Mexiko gültig. Bezüglich der Garantiebestimmungen in anderen Ländern wenden Sie sich bitte an Ihren lokalen Händler.

Sicherheitshinweise

Diese Sicherheitshinweise enthalten wichtige Informationen über die Montage, Verwendung und Wartung des Geräts.

- Dieses Gerät NICHT öffnen. Die eingebauten Komponenten sind für den Kunden wartungsfrei.
- NIEMALS in die Lichtquelle schauen, während das Gerät eingeschaltet ist.
- Um unnötigen Verschleiß zu vermeiden und die Lebensdauer des Geräts zu verlängern, trennen Sie während längerer Perioden des Nichtgebrauchs das Gerät vom Stromnetz – entweder per Trennschalter oder durch Herausziehen des Steckers aus der Steckdose.
- VORSICHT: Beim Transport des Geräts von einer Umgebung mit außergewöhnlichen Temperaturen in eine andere solche Umgebung (z. B. aus einem kalten Transporter in einen warm-feuchten Ballsaal) kann an der im Gerät enthaltenen Elektronik Wasser kondensieren. Um einen Defekt zu vermeiden, muss sich das Gerät erst in der neuen Umgebung akklimatisiert haben, bevor es an die Stromversorgung angeschlossen werden kann.
- VORSICHT: Das Gehäuse dieses Produkts kann während des Betriebs heiß werden.
- Installieren Sie das Gerät an einem Ort mit ausreichender Belüftung und mit einem Abstand von mindestens 50 cm zu den angrenzenden Flächen.
- Belassen Sie KEINE entflammaren Materialien in einem Umkreis von 50 cm dieses Geräts, während es in Betrieb oder an der Stromversorgung angeschlossen ist.
- VERWENDEN Sie bei Montage über Kopf immer ein Sicherheitsseil.
- Nehmen sie das Gerät NICHT im Freien oder an einem Ort in Betrieb, der durch Staubentwicklung, übermäßige Hitze, Wasser oder hohe Luftfeuchtigkeit charakterisiert ist. (IP20)
- NIEMALS das Gerät in Betrieb nehmen, wenn Ihnen das Gehäuse, die Linsen oder das Kabel beschädigt erscheinen.
- Schließen Sie dieses Produkt niemals gleichzeitig an eine Wechsel- und Gleichstromversorgung an.
- Schließen Sie dieses Gerät NICHT an einen Dimmer oder Regelwiderstand an.
- Schließen Sie dieses Produkt NUR an einen mit der Erde verbundenen und geschützten Stromkreis an.
- Das Gerät NUR an den Hänge-/Befestigungsbügeln oder Griffen tragen.
- Bei ernsthaften Betriebsproblemen stoppen Sie umgehend die Verwendung des Geräts.
- Die maximal zulässige Umgebungstemperatur beträgt 45 °C. Nehmen Sie das Gerät nicht bei höheren Temperaturen in Betrieb.

FCC-Konformität

Dieses Gerät erfüllt Teil 15, Teil B, der FCC-Bestimmungen. Der Betrieb ist an folgende zwei Bedingungen geknüpft:

1. Dieses Gerät darf keine schädlichen Interferenzen verursachen, und
2. Dieses Gerät muss empfangende Interferenzen aufnehmen können, auch Interferenzen, die eventuell einen unerwünschten Betrieb verursachen.

Jegliche Änderungen oder Modifikationen, die nicht ausdrücklich von der Partei genehmigt wurden, die für die Compliance zuständig ist, könnten die Berechtigung des Benutzers zum Betrieb dieses Geräts aufheben.

Kontakt

Kunden außerhalb der USA, GB, Irland, Mexiko, Frankreichs, Deutschlands oder der Benelux-Staaten wenden sich an ihren Lieferanten, um den Kundensupport in Anspruch zu nehmen oder ein Produkt zurückzuschicken. Kunden innerhalb der USA, GB, Irland, Mexiko, Frankreichs, Deutschlands oder der Benelux-Länder verwenden bitte die Informationen unter [Contact Us](#) am Ende dieser Schnellanleitung.

Packungsinhalt

- Ovation F-415VW
- Neutrik® powerCON® Netzkabel
- Gel-Rahmen (Zubehör für 6,25"/159 mm)
- Schnellanleitung

Wechselstrom/Gleichstrom

Dieses Gerät verfügt über ein Vorschaltgerät, das automatisch die anliegende Spannung erkennt, sobald der Netzstecker in die Schukosteckdose gesteckt wird, und es kann mit einer Eingangsspannung von 100~240 V AC, 50/60 Hz oder 28 V DC von einer professionell geregelten Batterie (z. B. Anton Bauer oder Blockbatterie) arbeiten. Schließen Sie niemals gleichzeitig beide Stromquellen an.

Serienschaltung der Geräte

Sie können bis zu 12 Ovation F-415VW Geräte bei 120 V AC, 21 Geräte bei 208 V und 23 Geräte bei 230 V AC in Serie schalten. Diese Anzahl niemals überschreiten! Stromkabel für die Serienschaltung können separat erworben werden.

Wechselstromstecker

Anschluss	Draht (USA)	Draht (Europa)	Schraubenfarbe
Stromführender AC-Leiter	Schwarz	Braun	Gelb/Messingfarben
AC-Neutralleiter	Weiß	Blau	Silber
AC-Erdungsleiter	Grün/Gelb	Grün/Gelb	Grün

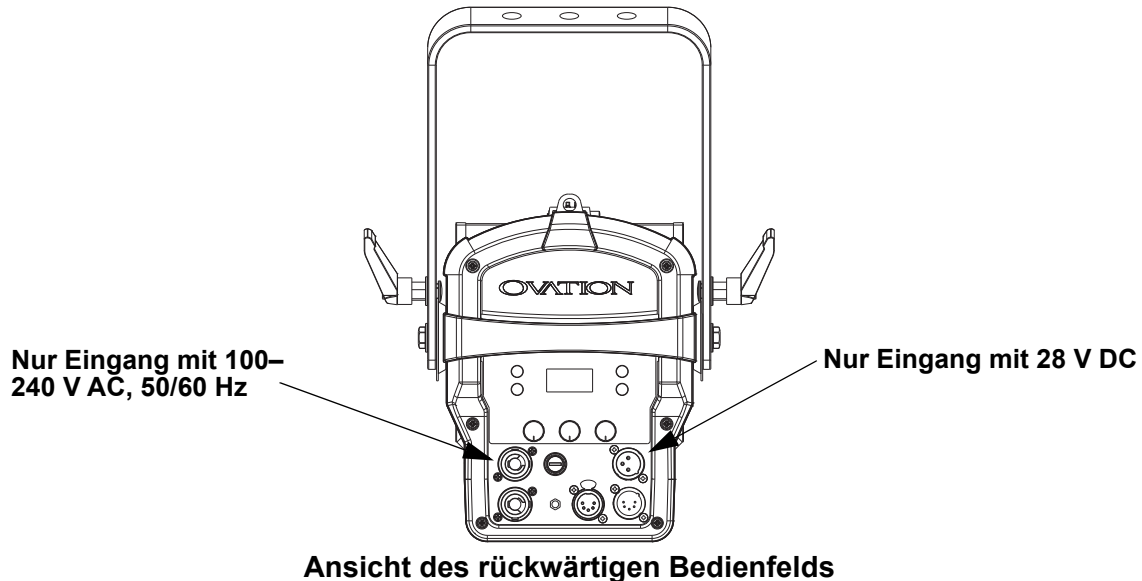


- **Um Verschleiß zu vermeiden und die Lebensdauer des Geräts zu verlängern, trennen Sie während längerer Perioden des Nichtgebrauchs das Gerät vom Stromnetz – entweder per Trennschalter oder durch Herausziehen des Steckers aus der Steckdose.**
- **Schließen Sie dieses Produkt niemals gleichzeitig an eine Wechsel- und Gleichstromversorgung an.**

Auswechseln der Sicherung

1. Trennen Sie das Gerät vom Stromnetz.
2. Mit einem Flachkopfschraubendreher lösen Sie die Abdeckung des Sicherungshalters vom Gehäuse.
3. Entfernen Sie die durchgebrannte Sicherung, und ersetzen Sie diese durch eine Sicherung des gleichen Typs und mit den gleichen Werten.
4. Schrauben Sie die Abdeckung der Sicherung wieder ein, und schließen Sie das Gerät wieder an das Stromnetz an.

Leistungsdiagramm



Ansicht des rückwärtigen Bedienfelds

DMX-Verbindung

Die Ovation F-415VW kann mit einem DMX-Controller betrieben werden, wenn eine 5-polige DMX-Datenverbindung zum Einsatz kommt. Sie können sich eine Einführung in DMX unter www.chauvetprofessional.com herunterladen.

DMX-Anschluss

Der Ovation F-415VW verwendet eine 5-polige DMX-Datenverbindung für seine 8 DMX-Persönlichkeiten: **1 Ch, 4 Ch, 6 Ch, 7 Ch, 9 Ch, 13 Ch, 16 Ch** und **18 Ch**. Informationen zum Anschließen und Konfigurieren des Geräts für einen DMX-Betrieb finden Sie in der Bedienungsanleitung.

Master/Slave-Schaltung

Der Ovation F-415VW verwendet für seinen Master/Slave-Modus eine DMX-Datenverbindung. Informationen zum Anschließen und Konfigurieren des Geräts für einen Master/Slave-Betrieb finden Sie in der Bedienungsanleitung.

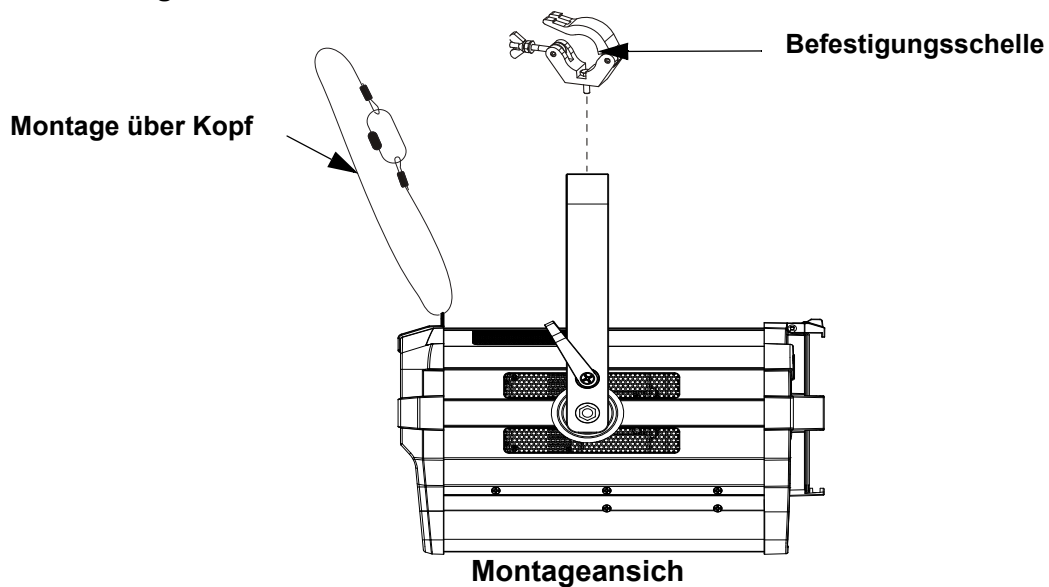
RDM (Remote Device Management)

Remote Device Management bzw. RDM ist ein Standard, mit dem DMX-aktivierte Geräte bidirektional entlang bestehender DMX-Kabel kommunizieren können. Der STRIKE Saber unterstützt das RDM-Protokoll, über das Feedback zur Überwachung der Änderungen der Menüoptionen gegeben wird. Laden Sie für weiterführende Informationen unter www.chauvetprofessional.com das Benutzerhandbuch herunter.

Montage

Lesen Sie vor der Montage dieses Geräts die [Sicherheitshinweise](#). Mindestens einen Befestigungspunkt pro Gerät verwenden. Stellen Sie sicher, dass die Befestigungsklemmen dafür ausgelegt sind, das Produktgewicht tragen zu können. Informationen zu unserer CHAUVET-Produktlinie für Befestigungsklemmen finden Sie unter <http://trusst.com/productcategory/truss-clamps/>

Ansicht Gerätemontage



Descripción del Panel de Control

Taste	Funktion
<MENU>	Damit verlassen Sie das aktuelle Menü oder die Funktion.
<ENTER>	Damit wird das aktuell angezeigte Menü aktiviert oder der aktuell ausgewählte Wert einer Funktion eingestellt
<UP>	Damit navigieren Sie sich durch die Menüpunkte nach oben und erhöhen den numerischen Wert der entsprechenden Funktion.
<DOWN>	Damit navigieren Sie sich durch die Menüpunkte nach unten und verringern den numerischen Wert der entsprechenden Funktion.
<Color Temperature>	Drücken und drehen Sie dieses Bedienelement zur Auswahl der Farbtemperatur
<Dimmer>	Drücken und drehen Sie dieses Bedienelement zum Erhöhen oder Senken der Dimmung
<Zoom>	Drücken und drehen Sie dieses Bedienelement zum Vergrößern oder Verkleinern des Zoom

Farbtemperatur-Tabelle

DMX-Kanal-Wert	Farbtemperatur	DMX-Kanal-Wert	Farbtemperatur	DMX-Kanal-Wert	Farbtemperatur
000 ⇔ 005	2800K/Keine Funktion	083 ⇔ 090	3900–4000K	167 ⇔ 174	5100–5200K
006 ⇔ 013	2800–2900K	090 ⇔ 097	4000–4100K	174 ⇔ 181	5200–5300K
013 ⇔ 020	2900–3000K	097 ⇔ 104	4100–4200K	181 ⇔ 188	5300–5400K
020 ⇔ 027	3000–3100K	104 ⇔ 111	4200–4300K	188 ⇔ 195	5400–5500K
027 ⇔ 034	3100–3200K	111 ⇔ 118	4300–4400K	195 ⇔ 202	5500–5600K
034 ⇔ 041	3200–3300K	118 ⇔ 125	4400–4500K	202 ⇔ 209	5600–5700K
041 ⇔ 048	3300–3400K	125 ⇔ 132	4500–4600K	209 ⇔ 216	5700–6000K
048 ⇔ 055	3400–3500K	132 ⇔ 139	4600–4700K	216 ⇔ 223	6000–6500K
055 ⇔ 062	3500–3600K	139 ⇔ 146	4700–4800K	223 ⇔ 230	6500–7000K
062 ⇔ 069	3600–3700K	146 ⇔ 153	4800–4900K	230 ⇔ 237	7000–7500K
069 ⇔ 076	3700–3800K	153 ⇔ 160	4900–5000K	237 ⇔ 244	7500–8000K
076 ⇔ 083	3800–3900K	160 ⇔ 167	5000–5100K	244 ⇔ 255	8000K



Hinweis: Die oben genannten Farbtemperaturen sind simulierte Ähnlichkeiten der Farbausgabe im Vergleich zu einer Wolframlampe mit spezifizierter Farbtemperatur. Chauvet gibt keine Gewährleistung bezüglich der Genauigkeit der Farbausgabe.

Menüstruktur

Hauptebene	Programmirebenen			Beschreibung		
DMX Address	001–509*			Wählt die DMX-Adresse aus (der höchste Kanal ist auf die gewählte Eigenschaft beschränkt)		
DMX Channel	1 Ch			1-Kanal: Dimmer		
	4 Ch			4-Kanal: Dimmer, Farbtemperatur, Farbton, Zoom		
	6 Ch			6-Kanal: 16-Bit-Kanal: Dimmer, Farbtemperatur, Farbton, Zoom, Stroboskopeffekt		
	7 Ch			7-Kanal: Rot, Orange, Grüne, Königsblau, Blau, Neongrün, Zoom		
	9 Ch			9-Kanal: Dimmer, Rot, Orange, Grüne, Königsblau, Blau, Neongrün, Stroboskopeffekt, Zoom		
	13 Ch			13-Kanal: Dimmer, Rot, Orange, Grüne, Königsblau, Blau, Neongrün, Stroboskopeffekt, Farbtemperatur, Farbton, Dimmungs-Geschwindigkeits-Modus, Zoom, Motorrücksetzung		
	16 Ch			16-Kanal: 16-Bit-Dimmer, 16-Bit-Rot, Orange, Grüne, Königsblau, Blau, Neongrün, Stroboskopeffekt, Zoom		
Static	Color Temperature	2800K		Dimmer	000–100	Stellt die Werte für Farbtemperatur, Dimmer und Farbton (grün/magenta) ein. Bildet eine Wolframlampe mit der spezifizierten Farbtemperatur ab.
		2900K				
		3000K				
		3100K				
		3200K				
		3300K				
		3400K				
		3500K				
		3600K				
		3700K				
		3800K				
		3900K				
		4000K				
		4100K				
		4200K				
		4300K				
		4400K				
		4500K				
		4600K				
		4700K				
		4800K				
		4900K				
		5000K				
		5100K				
		5200K				
		5300K				
		5400K				
		5500K				
5600K						
5700K						
6000K						
6500K						
7000K						
7500K						
8000K						
		Hue		-25–25		

Hauptebene	Programmirebenen		Beschreibung
Static	Manual Color Mixer	Red	<000–255> Kombiniert rote, orange, grüne, königsblaue, blaue und neongrüne Farben zu einer benutzerdefinierten Farbe (0–100 %)
		Orange	
		Green	
		Royal Blue	
		Blue	
Zoom		0–255	Zur Steuerung des Zoom
Master/Slave		Master	DMX-Modus (Master)
		Slave	Slave-Modus
Dimmer Mode		Off	Linearer Dimmer
		Dimmer 1–3	Dimmungskurven Dimmer 1 (schnell) nach Dimmer 3 (langsam)
White Balance		Off	Verwendet die werkseitig voreingestellte Standardeinstellung "Weiß"
	Manual	Red	<125–255> Stellt den maximalen Wert der roten LED ein Stellt den maximalen Wert der orangeLED ein Stellt den maximalen Wert der grünen LED ein Stellt den maximalen Wert der Königsblau LED ein Stellt den maximalen Wert der blauen LED ein Stellt den maximalen Wert der neongrünen LED ein
		Orange	
		Green	
		Royal Blue	
		Blue	
		Lime	
LED Frequency		600Hz	Stellt die PWM-Frequenz ein
		1200Hz	
		2000Hz	
		4000Hz	
		6000Hz	
		25KHz	
Fan Mode		Auto	Stellt den Lüfter auf den Auto-Modus ein
		On	Stellt den Lüfter auf den "immer eingeschaltet"-Modus ein
		Off	Stellt den Lüfter auf immer aus
		Silent	Stellt den Lüfter auf lautlos
Back Light		10S	Damit wird die Hintergrundbeleuchtung der Anzeige nach 10 Sekunden Inaktivität ausgeschaltet
		30S	Damit wird die Hintergrundbeleuchtung der Anzeige nach 30 Sekunden Inaktivität ausgeschaltet
		2Min	Damit wird die Hintergrundbeleuchtung der Anzeige nach 2 Minuten Inaktivität ausgeschaltet
		Always On	Hintergrundbeleuchtung immer an
Information	Fixture Hours	<_ _ _ _H>	Zeigt an, wie lange das Gerät eingeschaltet gewesen ist
	Version	<V_ _>	Zeigt die aktuelle Firmware-Version an
	UID	<_ _ _ _ _ _ _ _>	Zeigt die Geräte-UID an
Reset Zoom w/ Power		No	Setzt die Zoomeinstellungen zurück, wenn das Produkt ausgeschaltet wird
		Yes	
Reset Factory		No	Damit stellen Sie das Gerät auf die Werkseinstellungen zurück
		Yes	

DE

DMX-Werte

18 Ch

Kanal	Funktion	Wert	Prozent/Einstellung
1	Dimmer	000 ⇔ 255	0–100%
2	Dimmer, fein	000 ⇔ 255	0–100%
3	Rot	000 ⇔ 255	0–100%
4	Rot, fein	000 ⇔ 255	0–100%
5	Orange	000 ⇔ 255	0–100%
6	Orange fein	000 ⇔ 255	0–100%
7	Grün	000 ⇔ 255	0–100%
8	Grün, fein	000 ⇔ 255	0–100%
9	Königsblau	000 ⇔ 255	0–100%
10	Königsblau, fein	000 ⇔ 255	0–100%
11	Blau	000 ⇔ 255	0–100%
12	Blau, fein	000 ⇔ 255	0–100%
13	Neongrün	000 ⇔ 255	0–100%
14	Neongrün, fein	000 ⇔ 255	0–100%
15	Stroboskop	000 ⇔ 010 011 ⇔ 255	Keine Funktion Blitzfrequenz (von langsam nach schnell)
16	Farbtemperatur	000 ⇔ 255	Siehe Farbtemperatur- Tabelle
17	Hue	000 ⇔ 255	-25–25
18	Zoom	000 ⇔ 255	Eng bis weit

16 Ch

Kanal	Funktion	Wert	Prozent/Einstellung
1	Dimmer	000 ⇔ 255	0–100%
2	Dimmer, fein	000 ⇔ 255	0–100%
3	Rot	000 ⇔ 255	0–100%
4	Rot, fein	000 ⇔ 255	0–100%
5	Orange	000 ⇔ 255	0–100%
6	Orange fein	000 ⇔ 255	0–100%
7	Grün	000 ⇔ 255	0–100%
8	Grün, fein	000 ⇔ 255	0–100%
9	Königsblau	000 ⇔ 255	0–100%
10	Königsblau, fein	000 ⇔ 255	0–100%
11	Blau	000 ⇔ 255	0–100%
12	Blau, fein	000 ⇔ 255	0–100%
13	Neongrün	000 ⇔ 255	0–100%
14	Neongrün, fein	000 ⇔ 255	0–100%
15	Stroboskop	000 ⇔ 010 011 ⇔ 255	Keine Funktion Blitzfrequenz (von langsam nach schnell)
16	Zoom	000 ⇔ 255	Eng bis weit

13 Ch

Kanal	Funktion	Wert	Prozent/Einstellung
1	Dimmer	000 ⇔ 255	0–100%
2	Rot	000 ⇔ 255	0–100%
3	Orange	000 ⇔ 255	0–100%
4	Grün	000 ⇔ 255	0–100%
5	Königsblau	000 ⇔ 255	0–100%
6	Blau	000 ⇔ 255	0–100%
7	Neongrün	000 ⇔ 255	0–100%
8	Stroboskop	000 ⇔ 010 011 ⇔ 255	Keine Funktion Blitzfrequenz (von langsam nach schnell)
9	Farbtemperatur	000 ⇔ 255	Siehe Farbtemperatur- Tabelle
10	Hue	000 ⇔ 255	-25–25

Kanal	Funktion	Wert	Prozent/Einstellung
11	Dimmungs-Geschwindigkeits-Modus	000 ⇔ 051	Keine Funktion
		052 ⇔ 101	Dimmungs-Geschwindigkeits-Modus aus
		102 ⇔ 152	Dimmungs-Geschwindigkeits-Modus 1
		153 ⇔ 203	Dimmungs-Geschwindigkeits-Modus 2
		204 ⇔ 255	Dimmungs-Geschwindigkeits-Modus 3
12	Zoom	000 ⇔ 255	Eng bis weit
13	Motorzurücksetzung	000 ⇔ 200	Keine Funktion
		201 ⇔ 220	Motorzurücksetzung
		221 ⇔ 255	Keine Funktion

9 Ch

Kanal	Funktion	Wert	Prozent/Einstellung
1	Dimmer	000 ⇔ 255	0–100%
2	Rot	000 ⇔ 255	0–100%
3	Orange	000 ⇔ 255	0–100%
4	Grün	000 ⇔ 255	0–100%
5	Königsblau	000 ⇔ 255	0–100%
6	Blau	000 ⇔ 255	0–100%
7	Neongrün	000 ⇔ 255	0–100%
8	Stroboskop	000 ⇔ 010	Keine Funktion
		011 ⇔ 255	Blitzfrequenz (von langsam nach schnell)
9	Zoom	000 ⇔ 255	Eng bis weit

7 Ch

Kanal	Funktion	Wert	Prozent/Einstellung
1	Rot	000 ⇔ 255	0–100%
2	Orange	000 ⇔ 255	0–100%
3	Grün	000 ⇔ 255	0–100%
4	Königsblau	000 ⇔ 255	0–100%
5	Blau	000 ⇔ 255	0–100%
6	Neongrün	000 ⇔ 255	0–100%
7	Zoomstr	000 ⇔ 255	Eng bis weit

6 Ch

Channel	Function	Value	Percent/Setting
1	Dimmer	000 ⇔ 255	0–100%
2	Dimmer, fein	000 ⇔ 255	0–100%
3	Farbtemperatur	000 ⇔ 255	Siehe Farbtemperatur-Tabelle
4	Farbton	000 ⇔ 255	-25–25
5	Zoom	000 ⇔ 255	Eng bis weit
6	Stroboskop	000 ⇔ 010	Keine Funktion
		011 ⇔ 255	Blitzfrequenz (von langsam nach schnell)

4 Ch

Channel	Function	Value	Percent/Setting
1	Dimmer	000 ⇔ 255	0–100%
2	Farbtemperatur	000 ⇔ 255	Siehe Farbtemperatur-Tabelle
3	Farbton	000 ⇔ 255	-25–25
4	Zoom	000 ⇔ 255	Eng bis weit

1 Ch

Channel	Function	Value	Percent/Setting
1	Dimmer	000 ⇔ 255	0–100%

Over deze handleiding

De Ovation F-415VW Beknopte Handleiding (BH) bevat basisinformatie over het product, zoals aansluiting, montage, menu-opties en DMX-waarden. Download de gebruikershandleiding op www.chauvetprofessional.com voor meer informatie.

Disclaimer

De informatie en specificaties in deze BH kunnen zonder voorafgaande kennisgeving worden gewijzigd.

BEPERKTE GARANTIE

GA NAAR ONZE WEBSITE VOOR REGISTRATIE VAN DE GARANTIE EN DE VOLLEDIGE ALGEMENE VOORWAARDEN.

Voor klanten in de Verenigde Staten en Mexico: www.chauvetlighting.com/warranty-registration

Voor klanten in het Verenigd Koninkrijk, Ierland, België, Nederland, Luxemburg, Frankrijk en Duitsland: www.chauvetlighting.eu/warranty-registration/

Chauvet garandeert dat dit product bij normaal gebruik vrij zal blijven van defecten in materiaal en vakmanschap, voor de opgegeven periode en onder voorbehoud van de uitzonderingen en beperkingen die zijn uiteengezet in de volledige beperkte garantie op onze website. Deze garantie geldt uitsluitend voor de oorspronkelijke koper van het product en is niet overdraagbaar. Om onder deze garantie rechten uit te oefenen, moet u een aankoopbewijs overleggen in de vorm van een origineel verkoopbewijs van een geautoriseerde dealer, waarop de naam van het product en de aankoopdatum zichtbaar zijn. ER ZIJN GEEN ANDERE EXPLICIETE OF IMPLICIETE GARANTIES. Deze garantie geeft u specifieke wettelijke rechten. Mogelijk heeft u ook andere rechten die van staat tot staat en van land tot land verschillen. Deze garantie is uitsluitend geldig in de Verenigde Staten, het Verenigd Koninkrijk, Ierland, België, Nederland, Luxemburg, Frankrijk, Duitsland en Mexico. Neem contact op met uw lokale verkoper voor garantievoorwaarden in andere landen.

Veiligheidsinstructies

Deze veiligheidsinstructies bevatten belangrijke informatie over de installatie, het gebruik en het onderhoud.

- Open het product NIET. Het bevat geen te onderhouden onderdelen.
- KIJK NIET in de lichtbron wanneer het apparaat is ingeschakeld.
- Om onnodige slijtage te elimineren en zijn levensduur te verlengen, gedurende perioden wanneer het product niet wordt gebruikt, moet u het product van de stroom afsluiten door een aardlekschakelaar om te zetten of door het te ontkoppelen.
- LET OP: Bij het verplaatsen van het product uit extreme omgevingen, (bijv. koude vrachtwagen naar warme, vochtige balzaal) kan er condensvorming optreden op de elektronica van het product. Om storingen te vermijden moet het product volledig kunnen acclimatiseren aan de omgeving voordat het op stroom wordt aangesloten.
- LET OP: De behuizing van dit product kan heet zijn wanneer het in bedrijf is.
- Monteer dit product op een plek met voldoende ventilatie, ten minste 50 cm van de aangrenzende oppervlakken.
- Plaats geen ontvlambaar materiaal binnen 50 cm van dit product als het in gebruik is of is aangesloten op het stopcontact.
- GEBRUIK een veiligheidskabel bij het boven het hoofd plaatsen van dit product.
- Gebruik dit product NIET buitenshuis of op een locatie waar stof, grote warmte, water of vochtigheid het kunnen beïnvloeden. (IP20)
- Gebruik dit product NIET als de behuizing, lenzen of kabels beschadigd lijken.
- Sluit dit product nooit tegelijkertijd aan op AC- en DC-spanningsbronnen.
- Sluit dit product NIET aan op een dimmer of een regelweerstand.
- Sluit dit product UITSLUITEND op een geaard en beveiligd stroomcircuit.
- Gebruik UITSLUITEND de ophang-/montagebeugels of de hendels om dit product te dragen.
- Stop in het geval van ernstige operationele problemen onmiddellijk met het gebruik.
- De maximale omgevingstemperatuur bedraagt 45 °C. Gebruik dit product niet bij hogere temperaturen.

FCC-naleving

Dit apparaat voldoet aan Part 15 Part B van de FCC-regels. Het gebruik is onderworpen aan de volgende twee voorwaarden:

1. Dit apparaat mag geen schadelijke interferentie veroorzaken, en
2. Dit apparaat moet enige ontvangen interferentie accepteren, inclusief interferentie die een ongewenste werking kan veroorzaken.

Eventuele wijzigingen of aanpassingen die niet uitdrukkelijk door de voor naleving verantwoordelijke partij zijn goedgekeurd, kan de bevoegdheid van de gebruiker om de apparatuur te bedienen ongeldig verklaren.

Contact

Van buiten de VS, Verenigd Koninkrijk, Ierland, Benelux, Frankrijk, Duitsland of Mexico kunt u contact opnemen met de distributeur of om ondersteuning vragen dan wel het product retourneren. Ga naar [Contact Us](#) voor contactinformatie.

Wat is inbegrepen

- Ovation F-415VW
- Neutrik® powerCON® stroomsnoer
- Gelframe (159 mm/6,25 in accessoires)
- Beknopte handleiding

AC/DC-stroom

Dit product heeft een stroomvoeding met een automatisch bereik dat kan werken met een ingangsspanningsbereik van 100-240 VAC, 50/60 Hz of 28 VDC stroom van een geconditioneerde professioneel gereguleerde accu (zoals een accu van Anton Bauer of Block). Sluit beide stroombronnen nooit tegelijkertijd aan.

Power Linking

U kunt tot 12 Ovation F-415VW-producten koppelen bij 120 V, 21 producten bij 208 V of 23 producten bij 230 V. Dit aantal niet overschrijden. Power Linking-snoeren kunnen apart aangeschaft worden.

AC-stekker

Aansluiting	Snoer (VS)	Snoer (Europa)	Schroefkleur
AC Live	Zwart	Bruin	Geel/messing
AC Neutraal	Wit	Blauw	Zilver
AC Aarde	Groen/geel	Groen/geel	Groen

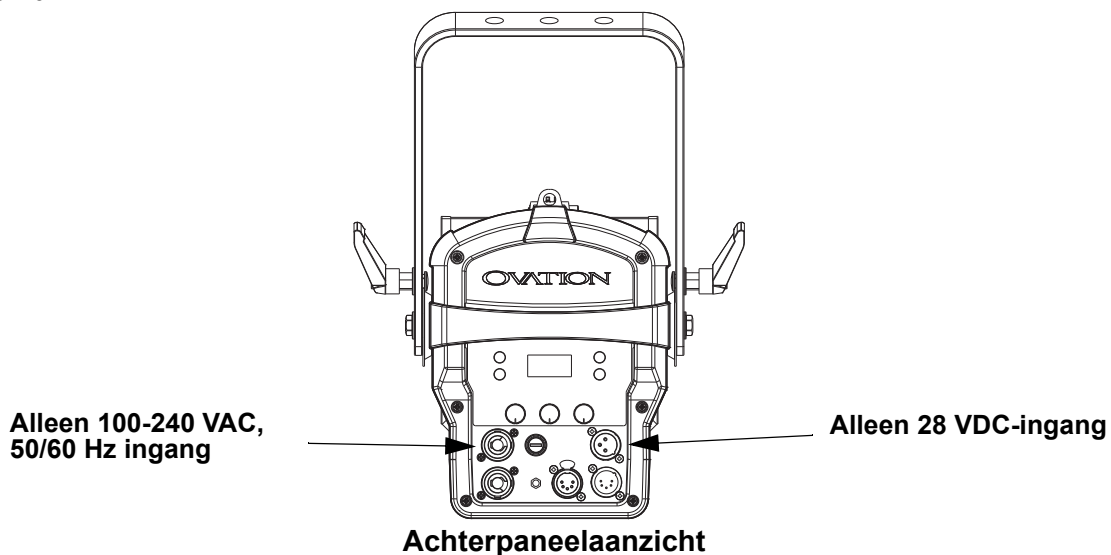


- **Om onnodige slijtage te elimineren en zijn levensduur te verlengen, gedurende perioden wanneer het product niet wordt gebruikt, moet u het product van de stroom afsluiten door een aardlekschakelaar om te zetten of door het te ontkoppelen.**
- **Sluit dit product nooit tegelijkertijd aan op AC- en DC-spanningsbronnen.**

De zekering vervangen

1. Ontkoppel dit product van de stroom.
2. Gebruik een kruiskopschroevendraaier nr. 2 en schroef de kap van de zekeringhouder los van de behuizing.
3. Verwijder de doorgebrande zekering en vervang het met een werkende zekering van hetzelfde type en met dezelfde waarde.
4. Schroef de kap van de zekeringhouder terug en steek de stekker er weer in.

Stroomschema



DMX-koppeling

De Ovation F-415VW kan met een DMX-controller werken met een normale DMX seriële verbinding. Op www.chauvetprofessional.com is een DMX-basishandleiding verkrijgbaar.

DMX-aansluiting

De Ovation F-415VW gebruikt een normale DMX-gegevensverbinding voor zijn 8 DMX-persoonlijkheden: **1 Ch, 4 Ch, 6 Ch, 7 Ch, 9 Ch, 13 Ch, 16 Ch** en **18 Ch**. Zie de gebruikershandleiding om te verbinden en te configureren voor DMX-werking.

Master/slave-verbinding

De Ovation F-415VW maakt gebruik van de DMX-dataverbinding voor haar Master-/Slave-modus. Zie de gebruikershandleiding om te verbinden en te configureren voor Master/Slave-werking.

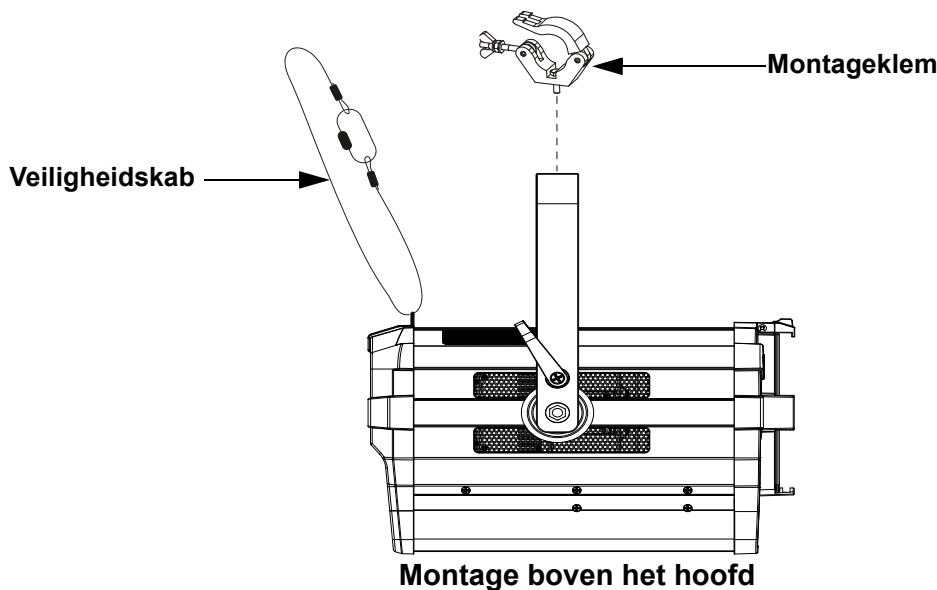
RDM (apparaatbeheer op afstand)

Remote Device Management of RDM (apparaatbeheer op afstand) is een standaard die het voor DMX-apparaten mogelijk maakt om in twee richtingen te communiceren over bestaande DMX-kabels. De Ovation F-415VW ondersteunt het RDM-protocol dat zorgt feedback toelaat bij de bewaking van wijzigingen aan de menu map-opties van. Download de gebruikershandleiding op www.chauvetprofessional.com voor meer informatie.

Montage

Lees alvorens dit product te monteren alle [Veiligheidsinstructies](#). Controleer of de montageklem het gewicht van het product kan dragen. Ga voor onze Chauvet-serie montageklemmen naar <http://trusst.com/productcategory/truss-clamps/>

Montagediagram van het product



Beschrijving bedienings paneel

Toets	Functie
<MENU>	Sluit het huidige menu of functie af
<ENTER>	Activeert het huidige getoonde menu of plaatst de huidige geselecteerde waarde in de geselecteerde functie
<UP>	Navigeert omhoog via het menu of verhoogt de numerieke waarde wanneer in een functie
<DOWN>	Navigeert omlaag via het menu of verlaagt de numerieke waarde wanneer in een functie
<Color Temperature>	Indrukken een keer en daarna draaien om de selecteren de kleurtemperatuur. Indrukken opnieuw en daarna draaien om de selecteren de tint.
<Dimmer>	Indrukken en daarna draaien om de dimmer te verhogen of te verlagen
<Zoom>	Indrukken en daarna draaien om de zoom te verhogen of te verlagen

Kleurtemperatuurkaart

DMX-kanaalwaarde	Kleurtemperatuur	DMX-kanaalwaarde	Kleurtemperatuur	DMX-kanaalwaarde	Kleurtemperatuur
000 ⇔ 005	2800K/Geen functie	083 ⇔ 090	3900–4000K	167 ⇔ 174	5100–5200K
006 ⇔ 013	2800–2900K	090 ⇔ 097	4000–4100K	174 ⇔ 181	5200–5300K
013 ⇔ 020	2900–3000K	097 ⇔ 104	4100–4200K	181 ⇔ 188	5300–5400K
020 ⇔ 027	3000–3100K	104 ⇔ 111	4200–4300K	188 ⇔ 195	5400–5500K
027 ⇔ 034	3100–3200K	111 ⇔ 118	4300–4400K	195 ⇔ 202	5500–5600K
034 ⇔ 041	3200–3300K	118 ⇔ 125	4400–4500K	202 ⇔ 209	5600–5700K
041 ⇔ 048	3300–3400K	125 ⇔ 132	4500–4600K	209 ⇔ 216	5700–6000K
048 ⇔ 055	3400–3500K	132 ⇔ 139	4600–4700K	216 ⇔ 223	6000–6500K
055 ⇔ 062	3500–3600K	139 ⇔ 146	4700–4800K	223 ⇔ 230	6500–7000K
062 ⇔ 069	3600–3700K	146 ⇔ 153	4800–4900K	230 ⇔ 237	7000–7500K
069 ⇔ 076	3700–3800K	153 ⇔ 160	4900–5000K	237 ⇔ 244	7500–8000K
076 ⇔ 083	3800–3900K	160 ⇔ 167	5000–5100K	244 ⇔ 255	8000K



Let op: De bovenstaande kleurtemperaturen zijn gesimuleerde weergaven van de geproduceerde kleuropbrengst, in vergelijking met een wolfram-lamp bij de opgegeven kleurtemperatuur. Chauvet geeft geen garantie over de nauwkeurigheid van de kleuropbrengst.

NL

Menumap

Hoofdniveau	Programmeerniveaus		Beschrijving			
DMX Address	001–509*		Selecteert het start-adres (hoogste kanaal beperkt tot de gekozen persoonlijkheid)			
DMX Channel	1 Ch		1-kanaal: dimmer			
	4 Ch		4-kanaal: dimmer, kleurtemperatuur, tint, zoom			
	6 Ch		6-kanaal: 16-bit dimmer, kleurtemperatuur, tint, zoom, stroboscoop			
	7 Ch		7-kanaal: rood, oranje, groen, koningsblauw, blauw, lime, zoom			
	9 Ch		9-kanaal: dimmer, rood, oranje, groen, koningsblauw, blauw, lime, stroboscoop, zoom			
	13 Ch		13-kanaal: dimmer, rood, oranje, groen, koningsblauw, blauw, lime, stroboscoop, kleurtemperatuur, tint, dimmersnelheid, zoom, motorreset			
	16 Ch		16-kanaal: 16-bit dimmer, 16-bit rood, oranje, groen, koningsblauw, blauw en lime, stroboscoop, zoom			
Static	Color Temperature	2800K		Dimmer	000–100	Stelt de kleurtemperatuur, dimmer- en tint- (groen/magenta) niveaus. Emuleert een wolfram-lamp bij de opgegeven kleurtemperatuur.
		2900K				
		3000K				
		3100K				
		3200K				
		3300K				
		3400K				
		3500K				
		3600K				
		3700K				
		3800K				
		3900K				
		4000K				
		4100K				
		4200K				
		4300K				
		4400K				
		4500K				
		4600K		Hue	-25–25	
		4700K				
		4800K				
		4900K				
		5000K				
		5100K				
		5200K				
		5300K				
		5400K				
		5500K				
5600K						
5700K						
6000K						
6500K						
7000K						
7500K						
8000K						

Hoofdniveau	Programmeerniveaus		Beschrijving	
Static	Manual Color Mixer	Red	<000–255>	Combineert rood, oranje, groen, koningsblauw, blauw en lime om een aangepaste kleur te genereren (0–100%)
		Orange		
		Green		
		Royal Blue		
		Blue		
		Lime		
Zoom	0–255		Controleert de zoom	
Master/Slave	Master		DMX-modus (Master)	
	Slave		Slave-modus	
Dimmer Mode	Off		Lineaire dimmer	
	Dimmer 1–3		Selecteert dimprofielen van snel (Dimmer 1) tot langzaam (Dimmer 3)	
White Balance	Manual	Off	<125–255>	Gebruikt standaard witte instelling
		Red		Stelt de maximum waarde van de rode LED in
		Orange		Stelt de maximum waarde van de oranje LED in
		Green		Stelt de maximum waarde van de groene LED in
		Royal Blue		Stelt de maximum waarde van de koningsblauwe LED in
		Blue		Stelt de maximum waarde van de blauwe LED in
		Lime		Stelt de maximum waarde van de lime LED in
LED Frequency	600Hz		Selecteert de PWM-uitgangsfrequentie	
	1200Hz			
	2000Hz			
	4000Hz			
	6000Hz			
	25KHz			
Fan Mode	Auto		Ingesteld de ventilator automatische modus	
	On		Ingesteld de ventilator altijd aan modus	
	Off		Ingesteld de ventilator altijd uit	
	Silent		Ingesteld de ventilator stil	
Back Light	10S		Schakelt de backlight van de display uit na 10 seconden van inactiviteit	
	30S		Schakelt de backlight van de display uit na 30 seconden van inactiviteit	
	2Min		Schakelt de backlight van de display uit na 2 minuten van inactiviteit	
	Always On		De backlight van de display is altijd aan	
Information	Fixture Hours	<_ _ _ _ H>	Toont het totale aantal producturen	
	Version	<V _ . _>	Toont de geïnstalleerde softwareversie	
	UID	<_ _ _ _ _ _ _ _ _ _>	Geeft de huidige UID	
Reset Factory	No		Reset zoominstellingen wanneer het product is uitgeschakeld	
	Yes			
Reset Factory	No		Herstellen naar de fabrieksstandaard	
	Yes			

NL

DMX-waarden

18 Ch

Kanaal	Functie	Waarde	Percentage/Instelling
1	Dimmer	000 ⇔ 255	0–100%
2	Fijnedimmer	000 ⇔ 255	0–100%
3	Rood	000 ⇔ 255	0–100%
4	Fijnerood	000 ⇔ 255	0–100%
5	Oranje	000 ⇔ 255	0–100%
6	Fijnoranje	000 ⇔ 255	0–100%
7	Groen	000 ⇔ 255	0–100%
8	Fijnegroen	000 ⇔ 255	0–100%
9	Koningsblauw	000 ⇔ 255	0–100%
10	Fijnekoningsblauw	000 ⇔ 255	0–100%
11	Blauw	000 ⇔ 255	0–100%
12	Fijneblauw	000 ⇔ 255	0–100%
13	Lime	000 ⇔ 255	0–100%
14	Fijnelime	000 ⇔ 255	0–100%
15	Stroboscoop	000 ⇔ 010 011 ⇔ 255	Geen functie Stroboscoop, langzaam tot snel
16	Kleurtemperatuur	000 ⇔ 255	Raadpleeg de sectie Kleurtemperatuurkaart
17	Tint	000 ⇔ 255	-25–25
18	Zoom	000 ⇔ 255	Smal tot breed

16 Ch

Kanaal	Functie	Waarde	Percentage/Instelling
1	Dimmer	000 ⇔ 255	0–100%
2	Fijnedimmer	000 ⇔ 255	0–100%
3	Rood	000 ⇔ 255	0–100%
4	Fijnerood	000 ⇔ 255	0–100%
5	Oranje	000 ⇔ 255	0–100%
6	Fijnoranje	000 ⇔ 255	0–100%
7	Groen	000 ⇔ 255	0–100%
8	Fijnegroen	000 ⇔ 255	0–100%
9	Koningsblauw	000 ⇔ 255	0–100%
10	Fijnekoningsblauw	000 ⇔ 255	0–100%
11	Blauw	000 ⇔ 255	0–100%
12	Fijneblauw	000 ⇔ 255	0–100%
13	Lime	000 ⇔ 255	0–100%
14	Fijnelime	000 ⇔ 255	0–100%
15	Stroboscoop	000 ⇔ 010 011 ⇔ 255	Geen functie Stroboscoop, langzaam tot snel
16	Zoom	000 ⇔ 255	Smal tot breed

13 Ch

Kanaal	Functie	Waarde	Percentage/Instelling
1	Dimmer	000 ⇔ 255	0–100%
2	Rood	000 ⇔ 255	0–100%
3	Oranje	000 ⇔ 255	0–100%
4	Groen	000 ⇔ 255	0–100%
5	Koningsblauw	000 ⇔ 255	0–100%
6	Blauw	000 ⇔ 255	0–100%
7	Lime	000 ⇔ 255	0–100%
8	Stroboscoop	000 ⇔ 010 011 ⇔ 255	Geen functie Stroboscoop, langzaam tot snel
9	Kleurtemperatuur	000 ⇔ 255	Raadpleeg de sectie Kleurtemperatuurkaart
10	Tint	000 ⇔ 255	-25–25

Kanaal	Functie	Waarde	Percentage/Instelling
11	Dimmersnelheid	000 ⇔ 051	Geen functie
		052 ⇔ 101	Lineaire dimmer
		102 ⇔ 152	Dimcurve 1
		153 ⇔ 203	Dimcurve 2
		204 ⇔ 255	Dimcurve 3
12	Zoom	000 ⇔ 255	Smal tot breed
13	Motorreset	000 ⇔ 200	Geen functie
		201 ⇔ 220	Motorreset
		221 ⇔ 255	Geen functie

9 Ch

Channel	Function	Value	Percent/Setting
1	Dimmer	000 ⇔ 255	0–100%
2	Rood	000 ⇔ 255	0–100%
3	Oranje	000 ⇔ 255	0–100%
4	Groen	000 ⇔ 255	0–100%
5	Koningsblauw	000 ⇔ 255	0–100%
6	Blauw	000 ⇔ 255	0–100%
7	Lime	000 ⇔ 255	0–100%
8	Stroboscoop	000 ⇔ 010	Geen functie
		011 ⇔ 255	Stroboscoop, langzaam tot snel
9	Zoom	000 ⇔ 255	Smal tot breed

7 Ch

Channel	Function	Value	Percent/Setting
1	Rood	000 ⇔ 255	0–100%
2	Oranje	000 ⇔ 255	0–100%
3	Groen	000 ⇔ 255	0–100%
4	Koningsblauw	000 ⇔ 255	0–100%
5	Blauw	000 ⇔ 255	0–100%
6	Lime	000 ⇔ 255	0–100%
7	Zoom	000 ⇔ 255	Smal tot breed

6 Ch

Channel	Function	Value	Percent/Setting
1	Dimmer	000 ⇔ 255	0–100%
2	Fijndimmer	000 ⇔ 255	0–100%
3	Kleurtemperatuur	000 ⇔ 255	Raadpleeg de sectie Kleurtemperatuurkaart
4	Tint	000 ⇔ 255	-25–25
5	Zoom	000 ⇔ 255	Smal tot breed
6	Stroboscoop	000 ⇔ 010	Geen functie
		011 ⇔ 255	Stroboscoop, langzaam tot snel

4 Ch

Channel	Function	Value	Percent/Setting
1	Dimmer	000 ⇔ 255	0–100%
2	Kleurtemperatuur	000 ⇔ 255	Raadpleeg de sectie Kleurtemperatuurkaart
3	Tint	000 ⇔ 255	-25–25
4	Zoom	000 ⇔ 255	Smal tot breed

1 Ch

Channel	Function	Value	Percent/Setting
1	Dimmer	000 ⇔ 255	0–100%

Contact Us

General Information	Technical Support
Chauvet World Headquarters	
Address: 5200 NW 108th Ave. Sunrise, FL 33351 Voice: (954) 577-4455 Fax: (954) 929-5560 Toll Free: (800) 762-1084	Voice: (844) 393-7575 Fax: (954) 756-8015 Email: chauvetcs@chauvetlighting.com Website: www.chauvetprofessional.com
Chauvet Europe Ltd	
Address: Unit 1C Brookhill Road Industrial Estate Pinxton, Nottingham, UK NG16 6NT Voice: +44 (0) 1773 511115 Fax: +44 (0) 1773 511110	Email: UKtech@chauvetlighting.eu Website: www.chauvetprofessional.eu
Chauvet Europe BVBA	
Address: Stokstraat 18 9770 Kruishoutem Belgium Voice: +32 9 388 93 97	Email: BNLtech@chauvetlighting.eu Website: www.chauvetprofessional.eu
Chauvet France	
Address: 3, Rue Ampère 91380 Chilly-Mazarin France Voice: +33 1 78 85 33 59	Email: FRtech@chauvetlighting.fr Website: www.chauvetprofessional.eu
Chauvet Germany	
Address: Bruno-Bürgel-Str. 11 28759 Bremen Germany Voice: +49 421 62 60 20	Email: DEtech@chauvetlighting.de Website: www.chauvetprofessional.eu
Chauvet Mexico	
Address: Av. de las Partidas 34 - 3B (Entrance by Calle 2) Zona Industrial Lerma Lerma, Edo. de México, CP 52000 Voice: +52 (728) 690-2010	Email: servicio@chauvet.com.mx Website: www.chauvetprofessional.mx

Visit the applicable website above to verify our contact information and instructions to request support. Outside the U.S., U.K., Ireland, France, Germany, Mexico, or Benelux, contact the dealer of record.



UL 1573
CSA C22.2 No. 166
E113093

