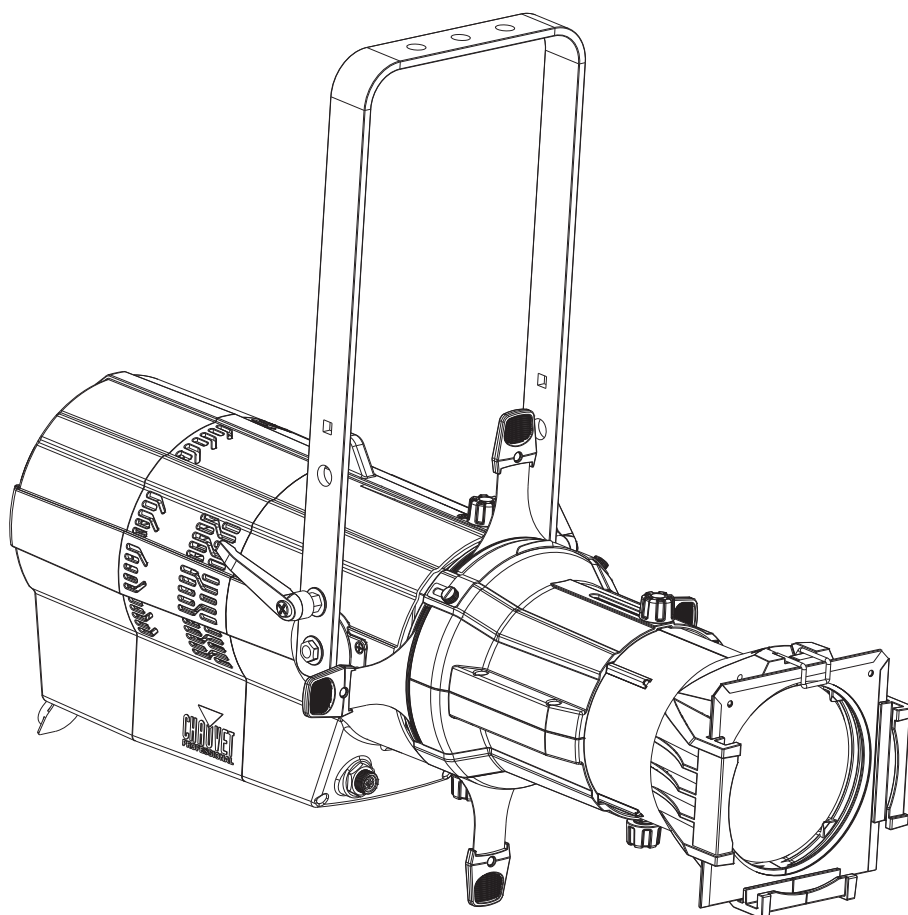


Ovation

E-910FC IP

Quick Reference Guide

| | |
|------------|----|
| English | EN |
| Español | ES |
| Français | FR |
| Deutsch | DE |
| Nederlands | NL |



*Lens tubes sold separately



CHAUVET
PROFESSIONAL

About This Guide

The Ovation E-910FC IP Quick Reference Guide (QRG) has basic product information such as connection, mounting, menu options, and DMX values. Download the User Manual from www.chauvetprofessional.com for more details.

Disclaimer

The information and specifications contained in this QRG are subject to change without notice.

LIMITED WARRANTY

FOR WARRANTY REGISTRATION AND COMPLETE TERMS AND CONDITIONS PLEASE VISIT OUR WEBSITE.

For Customers in the United States and Mexico: www.chauvetlighting.com/warranty-registration.

For Customers in the United Kingdom, Republic of Ireland, Belgium, the Netherlands, Luxembourg, France, and Germany: www.chauvetlighting.eu/warranty-registration/.

Chauvet warrants that this product shall be free from defects in material and workmanship under normal use, for the period specified in and subject to the exclusions and limitations set forth in, the full limited warranty on our website. This warranty extends only to the original purchaser of the product and is not transferable. To exercise rights under this warranty, you must provide proof of purchase in the form of an original sales receipt from an authorized dealer that shows the product name and date of purchase. THERE ARE NO OTHER EXPRESS OR IMPLIED WARRANTIES. This warranty gives you specific legal rights. You may also have other rights that vary from state to state and country to country. This warranty is valid only in the United States, United Kingdom, Republic of Ireland, Belgium, the Netherlands, Luxembourg, France, Germany and Mexico. For warranty terms in other countries, please consult your local distributor.

Safety Notes

- DO NOT open this product. It contains no user-serviceable parts.
- To eliminate unnecessary wear and improve its lifespan, during periods of non-use completely disconnect the product from power via breaker or by unplugging it.
- DO NOT look at the light source when the product is on.
- CAUTION: This product's housing may be hot when lights are operating. Mount this product in a location with adequate ventilation, at least 20 in (50 cm) from adjacent surfaces.
- DO NOT leave any flammable material within 50 cm of this product while operating or connected to power.
- CAUTION: When transferring product from extreme temperature environments, (e.g., cold truck to warm humid ballroom) condensation may form on the internal electronics of the product. To avoid causing a failure, allow product to fully acclimate to the surrounding environment before connecting it to power.
- Not for permanent outdoor installation in locations with extreme environmental conditions. This includes, but is not limited to:
 - Exposure to a marine/saline environment (within 3 miles of a saltwater body of water).
 - Where the normal high or low temperatures of the location exceed the temperature ranges in this manual.
 - Locations that are prone to flooding or being buried in snow.
 - Other areas where the product will be subject to extreme radiation or caustic substances.
- USE a safety cable when mounting this product overhead.
- DO NOT submerge this product (IP65). Regular outdoor operation is fine.
- DO NOT operate this product if the housing, lenses, or cables appear damaged.
- DO NOT connect this product to a dimmer or rheostat.
- ONLY connect this product to a grounded and protected circuit.
- ONLY use the hanging/mounting bracket to carry this product.
- In the event of a serious operating problem, stop using immediately.
- The maximum ambient temperature is 113 °F (45 °C). Do not operate this product at higher temperatures.

FCC Compliance

This device complies with Part 15 Part B of the FCC Rules. Operation is subject to the following two conditions:

1. This device may not cause harmful interference, and
2. This device must accept any interference received, including interference that may cause undesired operation.

Any changes or modifications not expressly approved by the party responsible for compliance could void the user's authority to operate the equipment.

Contact

Outside the U.S., United Kingdom, Ireland, Benelux, France, Germany, or Mexico, contact your distributor to request support or return a product. Visit [Contact Us](#) at the end of this QRG for contact information.

What is Included

- Ovation E-910FC IP
- Seetronic Powerkon IP65 power cord
- Quick Reference Guide

AC Power

This product has an auto-ranging power supply that can work with an input voltage range of 100–240 VAC, 50/60 Hz.

Power Linking

You can link up to 7 Ovation E-910FC IP products at 120 VAC, 11 products at 208 V, or 12 at 230 VAC. Never exceed this number. Power linking cords can be purchased separately.

AC Plug

| Connection | Wire (U.S.) | Wire (Europe) | Screw Color |
|------------|--------------|---------------|--------------|
| AC Live | Black | Brown | Yellow/Brass |
| AC Neutral | White | Blue | Silver |
| AC Ground | Green/Yellow | Green/Yellow | Green |



- **To eliminate unnecessary wear and improve its lifespan, during periods of non-use completely disconnect the product from power via breaker or by unplugging it.**
- **When using this product in an outdoor IP65-type environment, be sure to use IP65 (or higher) rated power cables and secure unused ports with attached IP65 covers.**

DMX Linking

The Ovation E-910FC IP will work with a DMX controller using a 5-pin DMX serial connection. A DMX Primer is available from www.chauvetprofessional.com.

DMX Connection

The Ovation E-910FC IP uses a 5-pin DMX data connection for its DMX personalities: **4 Ch, 6 Ch, 8 Ch, 11 Ch, 13 Ch, 14 Ch, 16 Ch**, and **HSV**. See the User Manual for information about connecting and configuring the product for DMX operation.



- **When using this product in an outdoor IP65-type environment, be sure to use IP65 (or higher) rated data cables and secure unused ports with attached IP65 covers.**

Master/Slave Connection

The Ovation E-910FC IP uses the DMX data connection for its master/slave mode. See the User Manual for information about how to connect and configure the product for master/slave operation.

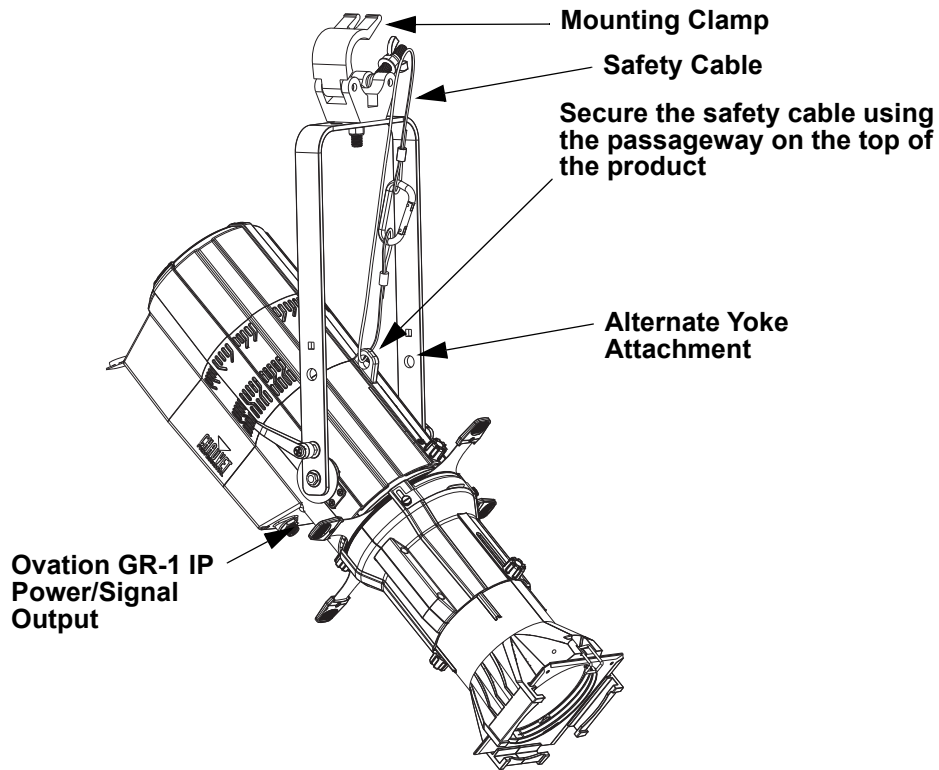
RDM (Remote Device Management)

Remote Device Management, or RDM, is a standard for allowing DMX-enabled devices to communicate bi-directionally along existing DMX cabling. Check the DMX controller's User Manual or with the manufacturer as not all DMX controllers have this capability. The Ovation E-910FC IP supports RDM protocol that allows feedback to make changes to menu map options. Download the User Manual from www.chauvetprofessional.com for more details.

Mounting

Before mounting this product, read the [Safety Notes](#). Use at least one mounting point per product. Make sure the mounting clamps are capable of supporting the weight of the product. For our Chauvet line of mounting clamps, go to <http://trusst.com/productcategory/truss-clamps/>.

Product Mounting Diagram



Overhead Mounting

Control Panel Description

| Button | Function |
|---------|------------------------------------------------------------------------------------------------------|
| <MENU> | Exits from the current menu or function |
| <ENTER> | Enables the currently displayed menu or sets the currently selected value into the selected function |
| <UP> | Navigates upwards through the menu list or increases the numeric value when in a function |
| <DOWN> | Navigates downwards through the menu list or decreases the numeric value when in a function |

Lens Tubes

The following lens tubes are available for purchase:

- 19°, 26°, 36°, and 50° w/Gel frame (6.25 in/159 mm accessories)
- 14°, 15°–30° and 25°–50° Zoom Gel frame (7.5 in/191 mm accessories)

Passcode

After being prompted, enter the following passcode by pressing:

<UP>, <DOWN>, <UP>, <DOWN>, <ENTER>

This passcode cannot be changed and must be used whenever prompted.

Virtual Color Wheel (VCW)

The Ovation E-910FC IP includes a feature called the Virtual Color Wheel (VCW). This feature is available as a stand-alone control mode for manual use and also as a control channel in select DMX personalities. Over 30 pre-mixed colors, custom blended by our engineers, are available to call up for easier programming.

The DMX values used to mix these colors are provided below. You may adjust the overall intensity of the Ovation fixture in order to more closely replicate colors you are familiar with. A chart is available on our website www.chauvetprofessional.com to compare our pre-mixed colors with popular gel colors. This chart is for comparison purposes only and is not a representation that our pre-mixed colors match any of the gel colors listed.

Virtual Color Wheel Chart

| DMX Channel Value | Display Readout | Red Value | Green Value | Blue Value | Amber Value | Lime Value |
|-------------------|-----------------------------|-----------|-------------|------------|-------------|------------|
| 000 ⇔ 005 | -- | 000 | 000 | 000 | 000 | 000 |
| 006 ⇔ 013 | C3050 - Md Yellow | 233 | 163 | 020 | 123 | 255 |
| 014 ⇔ 021 | C3040 - Lt Yellow | 224 | 158 | 047 | 255 | 231 |
| 022 ⇔ 028 | C3240 - Amb Yellow | 180 | 060 | 000 | 245 | 255 |
| 029 ⇔ 035 | C2340 - VLt Amber | 245 | 107 | 081 | 255 | 213 |
| 036 ⇔ 043 | C2040 - Lt Amber | 230 | 130 | 062 | 255 | 155 |
| 044 ⇔ 051 | C2050 - Md Amber | 255 | 000 | 025 | 255 | 194 |
| 052 ⇔ 059 | C2060 - Dk Amber | 255 | 000 | 024 | 255 | 150 |
| 060 ⇔ 067 | C1050 - Lt Red | 255 | 037 | 027 | 030 | 038 |
| 068 ⇔ 075 | C1080 - Md Red | 255 | 004 | 017 | 000 | 000 |
| 076 ⇔ 083 | C1020 - NC Pink | 238 | 135 | 129 | 255 | 255 |
| 084 ⇔ 091 | C1030 - Md Pink | 255 | 131 | 120 | 255 | 195 |
| 092 ⇔ 099 | C1630 - Dk Pink | 255 | 165 | 123 | 255 | 210 |
| 100 ⇔ 107 | C1250 - Md Red Amber | 255 | 000 | 041 | 195 | 055 |
| 108 ⇔ 115 | C1060 - Dk Red Amber | 255 | 000 | 045 | 120 | 030 |
| 116 ⇔ 121 | C1650 - Magenta | 255 | 050 | 115 | 255 | 115 |
| 122 ⇔ 130 | C6170 - Dk Magenta | 255 | 035 | 117 | 000 | 000 |
| 131 ⇔ 138 | C6020 - Lt Lavender | 127 | 122 | 142 | 251 | 255 |
| 139 ⇔ 146 | C5030 - Lt Blue | 000 | 255 | 197 | 100 | 255 |
| 147 ⇔ 154 | C5020 - VLt Blue | 158 | 255 | 189 | 000 | 255 |
| 155 ⇔ 162 | C5430 - Lt Blue 2 | 000 | 255 | 180 | 000 | 243 |
| 163 ⇔ 170 | C5070 - Blue | 043 | 255 | 210 | 043 | 036 |
| 171 ⇔ 178 | C5050 - Md Blue | 000 | 255 | 218 | 000 | 181 |
| 179 ⇔ 186 | C5060 - Dk Blue | 000 | 210 | 206 | 000 | 118 |
| 187 ⇔ 194 | C5690 - Indigo | 065 | 000 | 210 | 040 | 055 |
| 195 ⇔ 202 | C5080 - VDk Blue | 000 | 203 | 230 | 000 | 040 |
| 203 ⇔ 210 | C5081 - VDk Blue2 | 040 | 199 | 240 | 000 | 045 |
| 211 ⇔ 218 | C4370 - Yel Green | 027 | 255 | 028 | 016 | 104 |
| 219 ⇔ 226 | C4070 - Green | 049 | 255 | 055 | 120 | 090 |
| 227 ⇔ 234 | C4550 - Turquoise | 060 | 230 | 109 | 000 | 245 |
| 235 ⇔ 242 | C4560 - Aqua | 020 | 240 | 126 | 036 | 255 |
| 243 ⇔ 250 | C4570 - Blue Green | 000 | 255 | 079 | 030 | 053 |
| 251 ⇔ 255 | -- | 000 | 000 | 000 | 000 | 000 |



Note: The colors above are simulated renditions of the color output produced as compared to other similar incandescent products. Chauvet makes no guarantee of the color output accuracy.

Color Temperature Chart

| DMX Channel Value | Display Readout | Red Value | Green Value | Blue Value | Amber Value | Lime Value |
|-------------------|-----------------|-----------|-------------|------------|-------------|------------|
| 000 ⇔ 005 | -- | 000 | 000 | 000 | 000 | 000 |
| 006 ⇔ 025 | 2800K | 255 | 199 | 107 | 253 | 255 |
| 026 ⇔ 050 | 3200K | 253 | 247 | 129 | 255 | 255 |
| 051 ⇔ 075 | 3500K | 234 | 255 | 141 | 253 | 255 |
| 076 ⇔ 100 | 4000K | 204 | 255 | 156 | 243 | 255 |
| 101 ⇔ 125 | 4500K | 181 | 248 | 166 | 224 | 255 |
| 126 ⇔ 150 | 5000K | 160 | 255 | 180 | 241 | 255 |
| 151 ⇔ 175 | 5600K | 138 | 255 | 191 | 241 | 255 |
| 176 ⇔ 200 | 6000K | 147 | 255 | 193 | 203 | 255 |
| 201 ⇔ 225 | 6500K | 142 | 251 | 197 | 187 | 255 |
| 226 ⇔ 255 | -- | 000 | 000 | 000 | 000 | 000 |



Note: The color temperatures above are simulated renditions of the color output produced as compared to a tungsten lamp at the specified color temperature. Chauvet makes no guarantee of the color output accuracy.

Menu Map

| Main Level | Programming Levels | | Description | |
|----------------------------|----------------------------|---------------------------|---------------------------------------------------------------------------------------------------------------------------------------------------------------------------------|-------------------------------------------------------------------------------------------------------------------------------------------------|
| DMX Address | 001–509* | | Selects DMX address (highest channel restricted to personality chosen) | |
| DMX Channel | 4 Ch | | 4-channel: dimmer, VCW, color temperature, gobo rotator | |
| | 6 Ch | | 6-channel: RGBAL, gobo rotator | |
| | 8 Ch | | 8-channel: dimmer, RGBAL, strobe, gobo rotator | |
| | 11 Ch | | 11-channel: 16-bit dimmer, RGBAL, strobe, VCW, color temperature, gobo rotator | |
| | 13 Ch | | 13-channel: dimmer, RGBAL, strobe, VCW, color temperature, auto program, auto speed, dimmer speed mode, gobo rotator | |
| | 14 Ch | | 14-channel: 16-bit dimmer, 16-bit RGBAL, strobe, gobo rotator | |
| | 16 Ch | | 16-channel: 16-bit dimmer, 16-bit RGBAL, strobe, VCW, color temperature, gobo rotator | |
| Virtual Color Wheel | HSV | | 4-channel: hue, saturation, value, gobo rotator | |
| | Virtual Color Wheel | C3050-Md Yellow | Dimmer <000–255> | Virtual color wheel simulates the output of each gel color. Refer to the Virtual Color Wheel Chart section for specific values. |
| | | C3040-Lt Yellow | | |
| | | C3240-Amb Yellow | | |
| | | C2340-VLt Amber | | |
| | | C2040-Lt Amber | | |
| | | C2050-Md Amber | | |
| | | C2060-Dk Amber | | |
| | | C1050-Lt Red | | |
| | | C1080-Md Red | | |
| | | C1020-NC Pink | | |
| | | C1030-Md Pink | | |
| | | C1630-Dk Pink | | |
| | | C1250-Md Red Amber | | |
| | | C1060-Dk Red Amber | | |
| | | C1650-Magenta | | |
| | | C6170-Dk Magenta | | |
| | | C6020-Lt Lavender | | |
| | | C5030-Lt Blue | | |
| | | C5020-VLt Blue | | |
| | | C5430-Lt Blue2 | | |
| | | C5070-Blue | | |
| | | C5050-Md Blue | | |
| | | C5060-Dk Blue | | |
| | | C5690- Indigo | | |
| | C5080-VDk Blue | | | |
| | C5081-VDk Blue2 | | | |
| C4370-Yel Green | | | | |
| C4070-Green | | | | |
| C4550-Turquoise | | | | |
| C4560-Aqua | | | | |
| C4570-Blue Green | | | | |
| Color Temperature | 2800K | | Preset white color temperatures. Emulates a tungsten lamp at the specified color temperature. Refer to the Color Temperature Chart section for specific values. | |
| | 3200K | | | |
| | 3500K | | | |
| | 4000K | | | |

| Main Level | Programming Levels | | Description | |
|---------------------|-----------------------------|--------------------|-----------------------------------------------------------------|---------------------------------------------------------------------------------------------------------------------------------------------------------------------------------|
| Virtual Color Wheel | Color Temperature | 4500K | <000–255> | Preset white color temperatures. Emulates a tungsten lamp at the specified color temperature. Refer to the Color Temperature Chart section for specific values. |
| | | 5000K | | |
| | | 5600K | | |
| | | 6000K | | |
| | | 6500K | | |
| Manual Color Mixer | | Red | <000–255> | Combine red, green, blue, amber, and lime to make a custom color (0–100%) |
| | | Green | | |
| | | Blue | | |
| | | Amber | | |
| | | Lime | | |
| Auto Show | Auto 1–5 | <001–100> | Selects automatic programs and program speed | |
| Gobo Rotator | 0–255 | | Rotating gobo index | |
| Master/Slave | Master | | DMX mode (Master) | |
| | Slave | | Slave mode | |
| Dimmer Mode | Off | | Linear dimmer | |
| | Dimmer 1–3 | | Dimming curves Dimmer 1 (fast) to Dimmer 3 (slow) | |
| White Balance | Manual | Off | <000–255> | Uses factory default white setting |
| | | Red | | Sets red LED maximum value |
| | | Green | | Sets green LED maximum value |
| | | Blue | | Sets blue LED maximum value |
| | | Amber | | Sets amber LED maximum value |
| Lime | Sets lime LED maximum value | | | |
| LED Frequency | 600Hz | | | Sets the PWM frequency |
| | 1200Hz | | | |
| | 2000Hz | | | |
| | 4000Hz | | | |
| | 6000Hz | | | |
| | 25KHz | | | |
| Fan Mode | Auto | | Sets the fan to auto mode | |
| | On | | Sets the fan to always on | |
| | Off | | Sets the fan to always off | |
| | Silent | | Sets the fan to silent | |
| Back Light | On | | Display backlight always on | |
| | 10S | | Turns off display backlight after 10 seconds of inactivity | |
| | 20S | | Turns off display backlight after 20 seconds of inactivity | |
| | 30S | | Turns off display backlight after 30 seconds of inactivity | |
| Key Lock | On | | Turns passcode on or off | |
| | Off | | | |
| Gobo Power | On | | Enables or disables gobo power output | |
| | Off | | | |
| Information | Fixture Hours | <_ _ _ _ H> | Shows total hours the product has been powered on | |
| | Version | <V _ _ > | Shows current firmware version | |
| | UID | <_ _ _ _ _ _ _ _ > | Shows product UID | |
| Reset Factory | No | | Resets the product to factory default settings | |
| | Yes | | | |

QUICK REFERENCE GUIDE



EN

DMX Values

16 Ch

| Channel | Function | Value | Percent/Setting |
|---------|---------------------|--------------------------------------------------|---------------------------------------------------------------------------|
| 1 | Dimmer | 000 ⇔ 255 | 0–100% |
| 2 | Dimmer Fine | 000 ⇔ 255 | 0–100% |
| 3 | Red | 000 ⇔ 255 | 0–100% |
| 4 | Red Fine | 000 ⇔ 255 | 0–100% |
| 5 | Green | 000 ⇔ 255 | 0–100% |
| 6 | Green Fine | 000 ⇔ 255 | 0–100% |
| 7 | Blue | 000 ⇔ 255 | 0–100% |
| 8 | Blue Fine | 000 ⇔ 255 | 0–100% |
| 9 | Amber | 000 ⇔ 255 | 0–100% |
| 10 | Amber Fine | 000 ⇔ 255 | 0–100% |
| 11 | Lime | 000 ⇔ 255 | 0–100% |
| 12 | Lime Fine | 000 ⇔ 255 | 0–100% |
| 13 | Strobe | 000 ⇔ 010 011 ⇔ 255 | No function Strobe, slow to fast |
| 14 | Virtual Color Wheel | 000 ⇔ 255 | See Virtual Color Wheel Chart |
| 15 | Color Temperature | 000 ⇔ 255 | See Color Temperature Chart |
| 16 | Gobo Rotator | 000 ⇔ 127 128 ⇔ 190 191 ⇔ 192 193 ⇔ 255 | Index Clockwise fast to slow Stop Counter-clockwise slow to fast |

14 Ch

| Channel | Function | Value | Percent/Setting |
|---------|--------------|--------------------------------------------------|---------------------------------------------------------------------------|
| 1 | Dimmer | 000 ⇔ 255 | 0–100% |
| 2 | Dimmer Fine | 000 ⇔ 255 | 0–100% |
| 3 | Red | 000 ⇔ 255 | 0–100% |
| 4 | Red Fine | 000 ⇔ 255 | 0–100% |
| 5 | Green | 000 ⇔ 255 | 0–100% |
| 6 | Green Fine | 000 ⇔ 255 | 0–100% |
| 7 | Blue | 000 ⇔ 255 | 0–100% |
| 8 | Blue Fine | 000 ⇔ 255 | 0–100% |
| 9 | Amber | 000 ⇔ 255 | 0–100% |
| 10 | Amber Fine | 000 ⇔ 255 | 0–100% |
| 11 | Lime | 000 ⇔ 255 | 0–100% |
| 12 | Lime Fine | 000 ⇔ 255 | 0–100% |
| 13 | Strobe | 000 ⇔ 010 011 ⇔ 255 | No function Strobe, slow to fast |
| 14 | Gobo Rotator | 000 ⇔ 127 128 ⇔ 190 191 ⇔ 192 193 ⇔ 255 | Index Clockwise fast to slow Stop Counter-clockwise slow to fast |

13 Ch

| Channel | Function | Value | Percent/Setting |
|---------|---------------------|----------------------------------------------------------------------------|-----------------------------------------------------------------------------------------------------------|
| 1 | Dimmer | 000 ⇄ 255 | 0–100% |
| 2 | Red | 000 ⇄ 255 | 0–100% |
| 3 | Green | 000 ⇄ 255 | 0–100% |
| 4 | Blue | 000 ⇄ 255 | 0–100% |
| 5 | Amber | 000 ⇄ 255 | 0–100% |
| 6 | Lime | 000 ⇄ 255 | 0–100% |
| 7 | Strobe | 000 ⇄ 010 011 ⇄ 255 | No function Strobe, slow to fast |
| 8 | Virtual Color Wheel | 000 ⇄ 255 | See Virtual Color Wheel Chart |
| 9 | Color Temperature | 000 ⇄ 255 | See Color Temperature Chart |
| 10 | Auto Program | 000 ⇄ 010 011 ⇄ 060 061 ⇄ 110 111 ⇄ 160 161 ⇄ 210 211 ⇄ 255 | No function Auto program 1 Auto program 2 Auto program 3 Auto program 4 Auto program 5 |
| 11 | Auto Speed | 000 ⇄ 255 | 0–100% |
| 12 | Dimmer Speed Mode | 000 ⇄ 051 052 ⇄ 101 102 ⇄ 152 153 ⇄ 203 204 ⇄ 255 | No function Dimmer speed mode off Dimmer speed mode 1 Dimmer speed mode 2 Dimmer speed mode 3 |
| 13 | Gobo Rotator | 000 ⇄ 127 128 ⇄ 190 191 ⇄ 192 193 ⇄ 255 | Index Clockwise fast to slow Stop Counter-clockwise slow to fast |

11 Ch

| Channel | Function | Value | Percent/Setting |
|---------|---------------------|--------------------------------------------------|---------------------------------------------------------------------------|
| 1 | Dimmer | 000 ⇄ 255 | 0–100% |
| 2 | Dimmer Fine | 000 ⇄ 255 | 0–100% |
| 3 | Red | 000 ⇄ 255 | 0–100% |
| 4 | Green | 000 ⇄ 255 | 0–100% |
| 5 | Blue | 000 ⇄ 255 | 0–100% |
| 6 | Amber | 000 ⇄ 255 | 0–100% |
| 7 | Lime | 000 ⇄ 255 | 0–100% |
| 8 | Strobe | 000 ⇄ 010 011 ⇄ 255 | No function Strobe, slow to fast |
| 9 | Virtual Color Wheel | 000 ⇄ 255 | See Virtual Color Wheel Chart |
| 10 | Color Temperature | 000 ⇄ 255 | See Color Temperature Chart |
| 11 | Gobo Rotator | 000 ⇄ 127 128 ⇄ 190 191 ⇄ 192 193 ⇄ 255 | Index Clockwise fast to slow Stop Counter-clockwise slow to fast |

8 Ch

| Channel | Function | Value | Percent/Setting |
|---------|----------|-----------|-----------------|
| 1 | Dimmer | 000 ⇄ 255 | 0–100% |
| 2 | Red | 000 ⇄ 255 | 0–100% |
| 3 | Green | 000 ⇄ 255 | 0–100% |
| 4 | Blue | 000 ⇄ 255 | 0–100% |
| 5 | Amber | 000 ⇄ 255 | 0–100% |

QUICK REFERENCE GUIDE



EN

| Channel | Function | Value | Percent/Setting |
|---------|--------------|--------------------------------------------------|---------------------------------------------------------------------------|
| 6 | Lime | 000 ⇔ 255 | 0–100% |
| 7 | Strobe | 000 ⇔ 010 011 ⇔ 255 | No function Strobe, slow to fast |
| 8 | Gobo Rotator | 000 ⇔ 127 128 ⇔ 190 191 ⇔ 192 193 ⇔ 255 | Index Clockwise fast to slow Stop Counter-clockwise slow to fast |

6 Ch

| Channel | Function | Value | Percent/Setting |
|---------|--------------|--------------------------------------------------|---------------------------------------------------------------------------|
| 1 | Red | 000 ⇔ 255 | 0–100% |
| 2 | Green | 000 ⇔ 255 | 0–100% |
| 3 | Blue | 000 ⇔ 255 | 0–100% |
| 4 | Amber | 000 ⇔ 255 | 0–100% |
| 5 | Lime | 000 ⇔ 255 | 0–100% |
| 6 | Gobo Rotator | 000 ⇔ 127 128 ⇔ 190 191 ⇔ 192 193 ⇔ 255 | Index Clockwise fast to slow Stop Counter-clockwise slow to fast |

4 Ch

| Channel | Function | Value | Percent/Setting |
|---------|---------------------|--------------------------------------------------|---------------------------------------------------------------------------|
| 1 | Dimmer | 000 ⇔ 255 | 0–100% |
| 2 | Virtual Color Wheel | 000 ⇔ 255 | See Virtual Color Wheel Chart |
| 3 | Color Temperature | 000 ⇔ 255 | See Color Temperature Chart |
| 4 | Gobo Rotator | 000 ⇔ 127 128 ⇔ 190 191 ⇔ 192 193 ⇔ 255 | Index Clockwise fast to slow Stop Counter-clockwise slow to fast |

HSV

| Channel | Function | Value | Percent/Setting |
|---------|--------------|--------------------------------------------------|---------------------------------------------------------------------------|
| 1 | Hue | 000 ⇔ 255 | 0–100% |
| 2 | Saturation | 000 ⇔ 255 | 0–100% |
| 3 | Value | 000 ⇔ 255 | 0–100% |
| 4 | Gobo Rotator | 000 ⇔ 127 128 ⇔ 190 191 ⇔ 192 193 ⇔ 255 | Index Clockwise fast to slow Stop Counter-clockwise slow to fast |

Acerca de Esta Guía

La Guía de Referencia Rápida (GRR) del Ovation E-910FC IP contiene información básica sobre el producto, como montaje, opciones de menú y valores DMX. Descargue el Manual de Usuario de www.chauvetprofessional.com para información más detallada.

Exención de Responsabilidad

La información y especificaciones contenidas en esta GRR están sujetas a cambio sin previo aviso.

GARANTÍA LIMITADA

PARA VER EL REGISTRO DE GARANTÍA Y LOS TÉRMINOS Y CONDICIONES COMPLETOS, VISITE NUESTRO SITIO WEB.

Para clientes en los Estados Unidos y México: www.chauvetlighting.com/warranty-registration.

Para clientes en Reino Unido, República de Irlanda, Bélgica, Países Bajos, Luxemburgo, Francia y Alemania: www.chauvetlighting.eu/warranty-registration/.

Chauvet garantiza que este producto estará libre de defectos de material y mano de obra en condiciones de uso normales, durante el periodo especificado, sujeto siempre a las exclusiones y limitaciones establecidas en la garantía limitada completa de nuestro sitio web. Esta garantía se concede únicamente al comprador original del producto y no es transferible. Para ejercer los derechos que otorga esta garantía, usted debe proporcionar una prueba de compra en forma de un recibo de compra original, expedido por un distribuidor autorizado, donde figure el nombre del producto y la fecha de compra. **NO EXISTEN OTRAS GARANTÍAS EXPRESAS NI IMPLÍCITAS.** Esta garantía le otorga derechos legales específicos. Es posible que a usted le asistan otros derechos, que variarán dependiendo del estado o del país. Esta garantía solamente es válida en los Estados Unidos, Reino Unido, República de Irlanda, Bélgica, Países Bajos, Luxemburgo, Francia, Alemania y México. Para conocer los términos de garantía en otros países, consulte a su distribuidor local.

Notas de Seguridad

- NO abra este producto. No contiene piezas reparables por el usuario.
- Para evitar un desgaste innecesario y alargar su vida útil, desconecte complemente el producto de la alimentación, mediante el interruptor o desenchufándolo, durante los periodos en los que no se use.
- NO mire a la fuente de luz cuando el producto esté encendido.
- CUIDADO: La carcasa de este producto está caliente cuando las luces están en funcionamiento.
- Monte este producto en una ubicación con ventilación adecuada, al menos a 20" (50 cm) de superficies adyacentes.
- NO deje ningún material inflamable a menos de 50 cm de este producto mientras esté funcionando o conectado a la alimentación.
- Cuidado: cuando transfiera el producto desde ambientes con temperatura extrema (p. ej., del remolque frío de un camión a una sala de baile con calor y humedad), puede formarse condensación en la electrónica interna del producto. Para evitar que se produzca una avería, deje que el producto se aclimate completamente al ambiente antes de conectar la alimentación.
- No apto para la instalación permanente en exteriores en lugares con condiciones ambientales extremas. Estas incluyen, sin limitarse a ellas:
 - Exposición a un ambiente marino/salino (a menos de 4,8 km de una masa de agua salada).
 - Cuando las temperaturas máxima o mínima habituales del lugar superan los rangos de temperatura en este manual.
 - Lugares proclives a inundaciones o a ser sepultados por la nieve.
 - Otras zonas en las que el producto esté expuesto a radiación extrema o sustancias cáusticas.
- USE un cable de seguridad cuando monte este producto en lo alto.
- NO sumerja este producto (IP65). La operación normal en exteriores es correcta.
- NO ponga en funcionamiento este producto si sospecha que la carcasa, lentes o cables están dañados.
- NO conecte este producto a un atenuador o reostato.
- Conecte este producto SOLO a un circuito con toma de tierra y protegido.
- Use SOLAMENTE los soportes de colgar/montar para mover este producto.
- En caso de un problema grave de funcionamiento, deje de usarlo inmediatamente.
- La máxima temperatura ambiente es de 113 °F (45 °C). No haga funcionar este producto a temperaturas más altas.

Cumplimiento de la FCC

Este dispositivo cumple la parte 15, parte B de las normas FCC. El funcionamiento está supeditado al cumplimiento de estas dos condiciones:

1. Este dispositivo no puede causar interferencias perjudiciales; y
2. Este dispositivo debe aceptar cualquier interferencia recibida, incluyendo las interferencias que puedan causar un funcionamiento no deseado.

Cualquier cambio o modificación que no haya sido expresamente autorizado por la parte responsable de conformidad puede anular la potestad del usuario para hacer funcionar el equipo.

Contacto

Fuera de EE. UU., Reino Unido, Irlanda, Benelux, Francia, Alemania o México, póngase en contacto con su distribuidor para solicitar asistencia o devolver el producto. Visite [Contact Us](#) para información de contacto.

Qué va Incluido

- Ovation E-910FC IP
- Seetronic Powerkon IP65 cable de alimentación
- Guía de Referencia Rápida

Corriente Alterna

Este producto tiene una fuente de alimentación con detección automática que puede funcionar con un rango de tensión de entrada de 100 a 240 VCA, 50/60 Hz.

Alimentación en Cadena

Puede enlazar hasta 7 productos Ovation E-910FC IP a 120 V, 11 a 208 V, o 12 a 230 V. Nunca sobrepase este número. Los cables de alimentación en cadena se pueden adquirir por separado.

Enchufe CA

| Conexión | Cable (EE.UU.) | Cable (Europa) | Color del tornillo |
|------------|----------------|----------------|--------------------|
| CA Cargado | Negro | Marrón | Amarillo/Latón |
| CA Neutro | Blanco | Azul | Plata |
| CA Tierra | Verde/Amarillo | Verde/Amarillo | Verde |



- Para evitar un desgaste innecesario y alargar su vida útil, desconecte complemente el producto de la alimentación, mediante el interruptor o desenchufándolo, durante los periodos en los que no se use.
- Cuando utilice este producto en exteriores, use cables de datos y alimentación con protección IP65 (o superior). Asegúrese de proteger los puertos de datos y alimentación que no se usen colocando tapas IP65.

Enlace DMX

El Ovation E-910FC IP funcionará con un controlador DMX usando una conexión serie DMX normal. Hay un manual DMX disponible en www.chauvetprofessional.com.

Conexión DMX

El Ovation E-910FC IP usa una conexión de datos DMX normal para sus personalidades: **4 Ch, 6 Ch, 8 Ch, 11 Ch, 13 Ch, 14 Ch, 16 Ch**, y **HSV**. Vea el Manual de Usuario para conectar y configurar para funcionamiento DMX.



Quando utilice este producto en exteriores con ambiente tipo IP65, asegúrese de usar cables de datos con protección IP65 (o superior) y de proteger los puertos que no se usen colocando tapas IP65.

Conexión Maestro/Esclavo

El Ovation E-910FC IP usa la conexión de datos DMX para su modo Maestro/Esclavo. Vea el Manual de Usuario para conectar y configurar para funcionamiento Maestro/Esclavo.

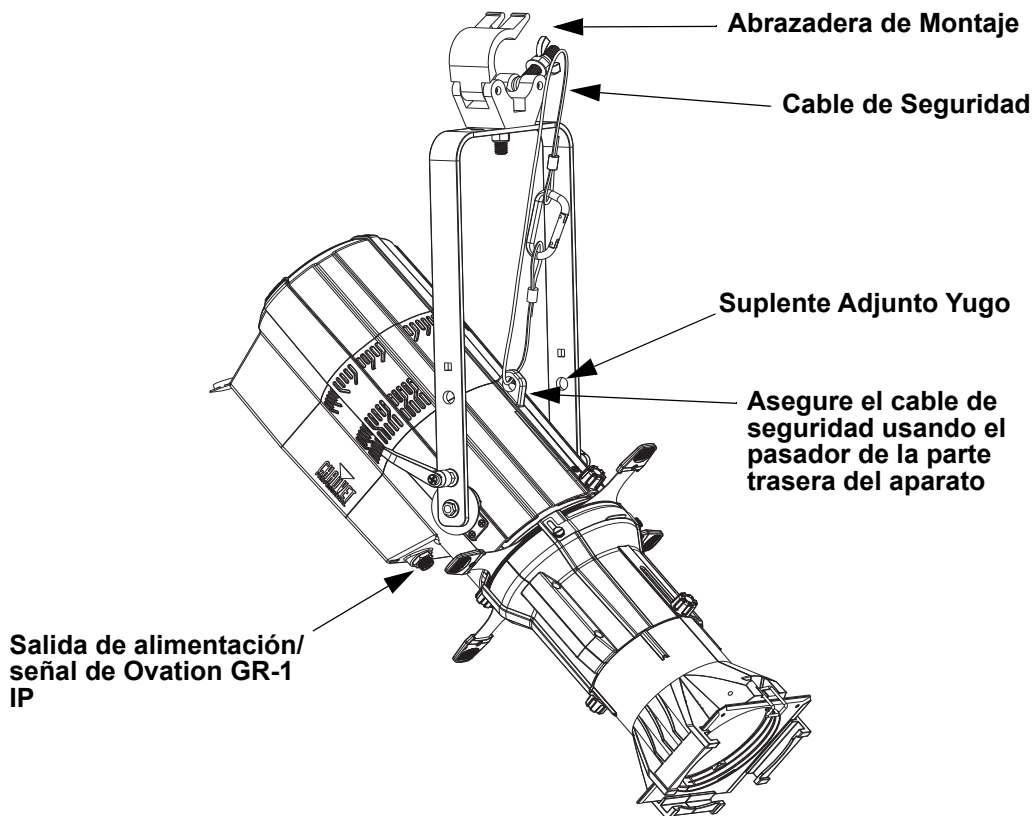
RDM (gestión remota del dispositivo)

Remote Device Management (gestión remota del dispositivo) o RDM, es un estándar que permite a los dispositivos con capacidad DMX una comunicación bidireccional por un cableado DMX existente. El Ovation E-910FC IP admite protocolo RDM, que posibilita información para supervisar cambiar las opciones del mapa de menú. Descargue el manual de usuario de www.chauvetprofessional.com para una información más detallada.

Montaje

Antes de montar este producto, lea las [Notas de Seguridad](#). Asegúrese de que las abrazaderas de montaje son capaces de soportar el peso del producto. Para nuestra línea Chauvet de abrazaderas de montaje, visite <http://trusst.com/productcategory/truss-clamps/>.

Diagrama de Montaje del Producto



Montaje en Altura

Descripción del Panel de Control

| Botón | Función |
|---------|--------------------------------------------------------------------------------------------------------------------------|
| <MENU> | Salir del menú o función actual |
| <ENTER> | Habilita el menú actualmente en pantalla o configura el valor seleccionado actualmente dentro de la función seleccionada |
| <UP> | Navega hacia arriba por la lista de menú o aumenta el valor numérico cuando está en una función |
| <DOWN> | Navega hacia abajo por la lista de menú o disminuye el valor numérico cuando está en una función |

Tubos de Lentes

Los siguientes tubos de lentes están disponibles para su compra:

- 19°, 26°, 36° y 50° Marco de Gel (accesorios 6,25"/159 mm)
- 14°, 15°-30° and 25°-50° Zoom Gel frame (7.5 in/191 mm accessories)

Código de acceso

Después de que se le solicite, introduzca el siguiente código de acceso pulsando:

<UP>, <DOWN>, <UP>, <DOWN>, <ENTER>

Este código no se puede cambiar y se debe usar cuando se le solicite.

Rueda de Color Virtual (VCW)

El Ovation E-910FC IP incluye una función de rueda de color virtual llamada Virtual Color Wheel (VCW). Esta función está disponible como modo de control independiente para uso manual y también como canal de control en algunas personalidades DMX del dispositivo. Más de 30 colores premezclados, elaborados por nuestros ingenieros, están disponibles para facilitarle la programación.

Los valores DMX utilizados para mezclar estos colores se indican más abajo. Puede ajustar la intensidad general del dispositivo Ovation para reproducir más fielmente los colores a los que esté habituado. Hay un gráfico a su disposición en nuestro sitio web www.chauvetprofessional.com para comparar nuestros colores premezclados con los colores de gel más populares. Este gráfico sirve solamente para comparar y no implica que nuestros colores premezclados coincidan exactamente con los colores de gel listados.

Tabla de Colores VCW

| Valor del Canal DMX | Lectura en Pantalla | Valor Rojo | Valor Verde | Valor Azul | Valor Ámbar | Valor Limón |
|---------------------|-----------------------------|------------|-------------|------------|-------------|-------------|
| 000 ⇔ 005 | -- | 000 | 000 | 000 | 000 | 000 |
| 006 ⇔ 013 | C3050 - Md Yellow | 233 | 163 | 020 | 123 | 255 |
| 014 ⇔ 021 | C3040 - Lt Yellow | 224 | 158 | 047 | 255 | 231 |
| 022 ⇔ 028 | C3240 - Amb Yellow | 180 | 060 | 000 | 245 | 255 |
| 029 ⇔ 035 | C2340 - VLt Amber | 245 | 107 | 081 | 255 | 213 |
| 036 ⇔ 043 | C2040 - Lt Amber | 230 | 130 | 062 | 255 | 155 |
| 044 ⇔ 051 | C2050 - Md Amber | 255 | 000 | 025 | 255 | 194 |
| 052 ⇔ 059 | C2060 - Dk Amber | 255 | 000 | 024 | 255 | 150 |
| 060 ⇔ 067 | C1050 - Lt Red | 255 | 037 | 027 | 030 | 038 |
| 068 ⇔ 075 | C1080 - Md Red | 255 | 004 | 017 | 000 | 000 |
| 076 ⇔ 083 | C1020 - NC Pink | 238 | 135 | 129 | 255 | 255 |
| 084 ⇔ 091 | C1030 - Md Pink | 255 | 131 | 120 | 255 | 195 |
| 092 ⇔ 099 | C1630 - Dk Pink | 255 | 165 | 123 | 255 | 210 |
| 100 ⇔ 107 | C1250 - Md Red Amber | 255 | 000 | 041 | 195 | 055 |
| 108 ⇔ 115 | C1060 - Dk Red Amber | 255 | 000 | 045 | 120 | 030 |
| 116 ⇔ 121 | C1650 - Magenta | 255 | 050 | 115 | 255 | 115 |
| 122 ⇔ 130 | C6170 - Dk Magenta | 255 | 035 | 117 | 000 | 000 |
| 131 ⇔ 138 | C6020 - Lt Lavender | 127 | 122 | 142 | 251 | 255 |
| 139 ⇔ 146 | C5030 - Lt Blue | 000 | 255 | 197 | 100 | 255 |
| 147 ⇔ 154 | C5020 - VLt Blue | 158 | 255 | 189 | 000 | 255 |
| 155 ⇔ 162 | C5430 - Lt Blue 2 | 000 | 255 | 180 | 000 | 243 |
| 163 ⇔ 170 | C5070 - Blue | 043 | 255 | 210 | 043 | 036 |
| 171 ⇔ 178 | C5050 - Md Blue | 000 | 255 | 218 | 000 | 181 |
| 179 ⇔ 186 | C5060 - Dk Blue | 000 | 210 | 206 | 000 | 118 |
| 187 ⇔ 194 | C5690 - Indigo | 065 | 000 | 210 | 040 | 055 |
| 195 ⇔ 202 | C5080 - VDk Blue | 000 | 203 | 230 | 000 | 040 |
| 203 ⇔ 210 | C5081 - VDk Blue2 | 040 | 199 | 240 | 000 | 045 |
| 211 ⇔ 218 | C4370 - Yel Green | 027 | 255 | 028 | 016 | 104 |
| 219 ⇔ 226 | C4070 - Green | 049 | 255 | 055 | 120 | 090 |
| 227 ⇔ 234 | C4550 - Turquoise | 060 | 230 | 109 | 000 | 245 |
| 235 ⇔ 242 | C4560 - Aqua | 020 | 240 | 126 | 036 | 255 |
| 243 ⇔ 250 | C4570 - Blue Green | 000 | 255 | 079 | 030 | 053 |
| 251 ⇔ 255 | -- | 000 | 000 | 000 | 000 | 000 |



Nota: Los colores listados son interpretaciones simuladas de la emisión de color generada en comparación con otros productos incandescentes similares. Chauvet no garantiza la exactitud del color emitido.

Gráfico de temperaturas de color

| Valor del Canal DMX | Lectura en Pantalla | Valor Rojo | Valor Verde | Valor Azul | Valor Ámbar | Valor Limón |
|---------------------|---------------------|------------|-------------|------------|-------------|-------------|
| 000 ⇔ 005 | -- | 000 | 000 | 000 | 000 | 000 |
| 006 ⇔ 025 | 2800K | 255 | 199 | 107 | 253 | 255 |
| 026 ⇔ 050 | 3200K | 253 | 247 | 129 | 255 | 255 |
| 051 ⇔ 075 | 3500K | 234 | 255 | 141 | 253 | 255 |
| 076 ⇔ 100 | 4000K | 204 | 255 | 156 | 243 | 255 |
| 101 ⇔ 125 | 4500K | 181 | 248 | 166 | 224 | 255 |
| 126 ⇔ 150 | 5000K | 160 | 255 | 180 | 241 | 255 |
| 151 ⇔ 175 | 5600K | 138 | 255 | 191 | 241 | 255 |
| 176 ⇔ 200 | 6000K | 147 | 255 | 193 | 203 | 255 |
| 201 ⇔ 225 | 6500K | 142 | 251 | 197 | 187 | 255 |
| 226 ⇔ 255 | -- | 000 | 000 | 000 | 000 | 000 |



Nota: Las temperaturas de color que aparecen arriba son interpretaciones simuladas de la emisión de color producida cuando se compara con una lámpara de tungsteno a la temperatura de color especificada. Chauvet no garantiza la exactitud del color emitido.

Mapa de Menú

| Nivel Principal | Niveles de Programación | | Descripción |
|----------------------------|----------------------------|-------------------------------|--------------------------------------------------------------------------------------------------------------------------------------------------------------------------|
| DMX Address | 001–509* | | Selecciona la dirección de inicio (canal más alto restringido a la elección de personalidad) |
| DMX Channel | 4 Ch | | 4-canales: atenuador, VCW, temperatura de color, gobo giratorio |
| | 6 Ch | | 6-canales: RGBAL, gobo giratorio |
| | 8 Ch | | 8-canales: atenuador, RGBAL, estroboscopio, gobo giratorio |
| | 11 Ch | | 11-canales: 16 bits atenuador, RGBAL, estroboscopio, VCW, temperatura de color, gobo giratorio |
| | 13 Ch | | 13-canales: atenuador, RGBAL, estroboscopio, VCW, temperatura de color, programas automáticos, velocidad, modo atenuador, gobo giratorio |
| | 14 Ch | | 14-canales: 16 bits atenuador, 16 bits RGBAL, estroboscopio, gobo giratorio |
| | 16 Ch | | 16-canales: 16 bits atenuador, 16 bits RGBAL, estroboscopio, VCW, temperatura de color, gobo giratorio |
| | HSV | | 4-canales: matiz, saturación, valor, gobo giratorio |
| Virtual Color Wheel | Virtual Color Wheel | Dimmer <000–255> | Rueda de Color Virtual (VCW) simula la emisión de cada gel de color de Rosco. Consulte la sección Tabla de Colores VCW para ver los valores específicos. |
| | C3050-Md Yellow | | |
| | C3040-Lt Yellow | | |
| | C3240-Amb Yellow | | |
| | C2340-VLt Amber | | |
| | C2040-Lt Amber | | |
| | C2050-Md Amber | | |
| | C2060-Dk Amber | | |
| | C1050-Lt Red | | |
| | C1080-Md Red | | |
| | C1020-NC Pink | | |
| | C1030-Md Pink | | |
| | C1630-Dk Pink | | |
| | C1250-Md Red Amber | | |
| | C1060-Dk Red Amber | | |
| | C1650-Magenta | | |
| | C6170-Dk Magenta | | |
| | C6020-Lt Lavender | | |
| | C5030-Lt Blue | | |

| Nivel Principal | Niveles de Programación | | Descripción |
|---------------------|-------------------------|-----------------|----------------------------------------------------------------------------|
| Virtual Color Wheel | Virtual Color Wheel | C5020-VLt Blue | <000–255> |
| | | C5430-Lt Blue2 | |
| | | C5070-Blue | |
| | | C5050-Md Blue | |
| | | C5060-Dk Blue | |
| | | C5690- Indigo | |
| | | C5080-VDk Blue | |
| | | C5081-VDk Blue2 | |
| | | C4370-Yel Green | |
| | | C4070-Green | |
| | | C4550-Turquoise | |
| | C4560-Aqua | | |
| | C4570-Blue Green | | |
| | Color Temperature | 2800K | <000–255> |
| | | 3200K | |
| 3500K | | | |
| 4000K | | | |
| 4500K | | | |
| 5000K | | | |
| 5600K | | | |
| 6000K | | | |
| 6500K | | | |
| Manual Color Mixer | Red | <000–255> | |
| | Green | | |
| | Blue | | |
| | Amber | | |
| | Lime | | |
| Auto Show | Auto 1–5 | <001–100> | Selecciona programas automáticos y velocidad |
| Gobo Rotator | 0–255 | | Índice de gobo giratorio |
| Master/ Slave | Master | | Modo DMX (maestro) |
| | Slave | | Modo esclavo |
| Dimmer Mode | Off | | Atenuador lineal |
| | Dimmer 1–3 | | Curvas de atenuador rápido (Dimmer 1) a lento (Dimmer 3) |
| White Balance | Off | | Utiliza la configuración de blanco predeterminada de fábrica |
| | Manual | Red | <000–255> |
| | | Green | |
| | | Blue | |
| | | Amber | |
| | | Lime | |
| LED Frequency | 600Hz | | Selecciona la frecuencia de emisión PWM |
| | 1200Hz | | |
| | 2000Hz | | |
| | 4000Hz | | |
| | 6000Hz | | |
| | 25KHz | | |
| Fan Mode | Auto | | Establece el ventilador a modo auto |
| | On | | Establece el ventilador a modo siempre encendido |
| | Off | | Establece el ventilador siempre apagado |
| | Silent | | Establece el ventilador en silencio |

| Nivel Principal | Niveles de Programación | | Descripción |
|-----------------|-------------------------|---------------------|---------------------------------------------------------------------------------|
| Back Light | On | | Retro-iluminación de la pantalla siempre activa |
| | 10S | | Retro-iluminación de la pantalla se apaga después de 10 segundos de inactividad |
| | 20S | | Retro-iluminación de la pantalla se apaga después de 20 segundos de inactividad |
| | 30S | | Retro-iluminación de la pantalla se apaga después de 30 segundos de inactividad |
| Key Lock | On | | Activa o desactiva el código de acceso |
| | Off | | |
| Gobo Power | On | | Activa o desactiva el salida de alimentación de gobo |
| | Off | | |
| Information | Fixture Hours | <_ _ _ _ H> | Muestra el nombre total de las horas del producto |
| | Version | <V _ _> | Muestra instalada la versión de firmware |
| | UID | <_ _ _ _ _ _ _ _ _> | Muestra el UID # del producto |
| Reset Factory | No | | Reinicia a la configuración de fábrica |
| | Yes | | |

DMX Values

16 Ch

| Canal | Función | Valor | Porcentaje/Configuración |
|-------|------------------------|-----------|------------------------------------------------------|
| 1 | Atenuador | 000 ⇄ 255 | 0–100% |
| 2 | Atenuador fino | 000 ⇄ 255 | 0–100% |
| 3 | Rojo | 000 ⇄ 255 | 0–100% |
| 4 | Rojo fino | 000 ⇄ 255 | 0–100% |
| 5 | Verde | 000 ⇄ 255 | 0–100% |
| 6 | Verde fino | 000 ⇄ 255 | 0–100% |
| 7 | Azul | 000 ⇄ 255 | 0–100% |
| 8 | Azul fino | 000 ⇄ 255 | 0–100% |
| 9 | Ámbar | 000 ⇄ 255 | 0–100% |
| 10 | Ámbar fino | 000 ⇄ 255 | 0–100% |
| 11 | Lime | 000 ⇄ 255 | 0–100% |
| 12 | Lime fino | 000 ⇄ 255 | 0–100% |
| 13 | Estroboscopio | 000 ⇄ 010 | Sin función |
| | | 011 ⇄ 255 | Estroboscopio, lento a rápido |
| 14 | Rueda de color virtual | 000 ⇄ 255 | Vea Tabla de Colores VCW |
| 15 | Temperatura de color | 000 ⇄ 255 | Vea Gráfico de temperaturas de color |
| 16 | Gobo giratorio | 000 ⇄ 127 | índice de gobo giratorio |
| | | 128 ⇄ 190 | Giro en el sentido horario, lento a rápido |
| | | 191 ⇄ 192 | Parada |
| | | 193 ⇄ 255 | Giro en el sentido anti-horario, lento a rápido |

14 Ch

| Canal | Función | Valor | Porcentaje/Configuración |
|-------|----------------|-----------|--------------------------|
| 1 | Atenuador | 000 ⇄ 255 | 0–100% |
| 2 | Atenuador fino | 000 ⇄ 255 | 0–100% |
| 3 | Rojo | 000 ⇄ 255 | 0–100% |
| 4 | Rojo fino | 000 ⇄ 255 | 0–100% |
| 5 | Verde | 000 ⇄ 255 | 0–100% |
| 6 | Verde fino | 000 ⇄ 255 | 0–100% |
| 7 | Azul | 000 ⇄ 255 | 0–100% |
| 8 | Azul fino | 000 ⇄ 255 | 0–100% |
| 9 | Ámbar | 000 ⇄ 255 | 0–100% |
| 10 | Ámbar fino | 000 ⇄ 255 | 0–100% |
| 11 | Lime | 000 ⇄ 255 | 0–100% |
| 12 | Lime fino | 000 ⇄ 255 | 0–100% |

ES

| Canal | Función | Valor | Porcentaje/Configuración |
|-------|----------------|--------------------------------------------------|-------------------------------------------------------------------------------------------------------------------------------------|
| 13 | Estroboscopio | 000 ⇔ 010 011 ⇔ 255 | Sin función Estroboscopio, lento a rápido |
| 14 | Gobo giratorio | 000 ⇔ 127 128 ⇔ 190 191 ⇔ 192 193 ⇔ 255 | Índice de gobo giratorio Giro en el sentido horario, lento a rápido Parada Giro en el sentido anti-horario, lento a rápido |

13 Ch

| Canal | Función | Valor | Porcentaje/Configuración |
|-------|------------------------|----------------------------------------------------------------------------|------------------------------------------------------------------------------------------------------------------------------------------|
| 1 | Atenuador | 000 ⇔ 255 | 0–100% |
| 2 | Rojo | 000 ⇔ 255 | 0–100% |
| 3 | Verde | 000 ⇔ 255 | 0–100% |
| 4 | Azul | 000 ⇔ 255 | 0–100% |
| 5 | Ámbar | 000 ⇔ 255 | 0–100% |
| 6 | Lime | 000 ⇔ 255 | 0–100% |
| 7 | Estroboscopio | 000 ⇔ 010 011 ⇔ 255 | Sin función Estroboscopio, lento a rápido |
| 8 | Rueda de color virtual | 000 ⇔ 255 | Vea Tabla de Colores VCW |
| 9 | Temperatura de color | 000 ⇔ 255 | Vea Gráfico de temperaturas de color |
| 10 | Programas automáticos | 000 ⇔ 010 011 ⇔ 060 061 ⇔ 110 111 ⇔ 160 161 ⇔ 210 211 ⇔ 255 | Sin función Programa automático 1 Programa automático 2 Programa automático 3 Programa automático 4 Programa automático 5 |
| 11 | Velocidad de programa | 000 ⇔ 255 | Velocidad de programa, lento a rápido |
| 12 | Velocidad Atenuador | 000 ⇔ 051 052 ⇔ 101 102 ⇔ 152 153 ⇔ 203 204 ⇔ 255 | Sin función Atenuador lineal Curva de atenuador 1 Curva de atenuador 2 Curva de atenuador 3 |
| 13 | Gobo giratorio | 000 ⇔ 127 128 ⇔ 190 191 ⇔ 192 193 ⇔ 255 | Índice de gobo giratorio Giro en el sentido horario, lento a rápido Parada Giro en el sentido anti-horario, lento a rápido |

11 Ch

| Canal | Función | Valor | Porcentaje/Configuración |
|-------|------------------------|--------------------------------------------------|-------------------------------------------------------------------------------------------------------------------------------------|
| 1 | Atenuador | 000 ⇔ 255 | 0–100% |
| 2 | Atenuador fino | 000 ⇔ 255 | 0–100% |
| 3 | Rojo | 000 ⇔ 255 | 0–100% |
| 4 | Verde | 000 ⇔ 255 | 0–100% |
| 5 | Azul | 000 ⇔ 255 | 0–100% |
| 6 | Ámbar | 000 ⇔ 255 | 0–100% |
| 7 | Lime | 000 ⇔ 255 | 0–100% |
| 8 | Estroboscopio | 000 ⇔ 010 011 ⇔ 255 | Sin función Estroboscopio, lento a rápido |
| 9 | Rueda de color virtual | 000 ⇔ 255 | Vea Tabla de Colores VCW |
| 10 | Temperatura de color | 000 ⇔ 255 | Vea Gráfico de temperaturas de color |
| 11 | Gobo giratorio | 000 ⇔ 127 128 ⇔ 190 191 ⇔ 192 193 ⇔ 255 | Índice de gobo giratorio Giro en el sentido horario, lento a rápido Parada Giro en el sentido anti-horario, lento a rápido |

8 Ch

| Canal | Función | Valor | Porcentaje/Configuración |
|-------|----------------|--------------------------------------------------|-------------------------------------------------------------------------------------------------------------------------------------|
| 1 | Atenuador | 000 ⇔ 255 | 0–100% |
| 2 | Rojo | 000 ⇔ 255 | 0–100% |
| 3 | Verde | 000 ⇔ 255 | 0–100% |
| 4 | Azul | 000 ⇔ 255 | 0–100% |
| 5 | Ámbar | 000 ⇔ 255 | 0–100% |
| 6 | Lime | 000 ⇔ 255 | 0–100% |
| 7 | Estroboscopio | 000 ⇔ 010 011 ⇔ 255 | Sin función Estroboscopio, lento a rápido |
| 8 | Gobo giratorio | 000 ⇔ 127 128 ⇔ 190 191 ⇔ 192 193 ⇔ 255 | índice de gobo giratorio Giro en el sentido horario, lento a rápido Parada Giro en el sentido anti-horario, lento a rápido |

6 Ch

| Canal | Función | Valor | Porcentaje/Configuración |
|-------|----------------|--------------------------------------------------|-------------------------------------------------------------------------------------------------------------------------------------|
| 1 | Rojo | 000 ⇔ 255 | 0–100% |
| 2 | Verde | 000 ⇔ 255 | 0–100% |
| 3 | Azul | 000 ⇔ 255 | 0–100% |
| 4 | Ámbar | 000 ⇔ 255 | 0–100% |
| 5 | Lime | 000 ⇔ 255 | 0–100% |
| 6 | Gobo giratorio | 000 ⇔ 127 128 ⇔ 190 191 ⇔ 192 193 ⇔ 255 | índice de gobo giratorio Giro en el sentido horario, lento a rápido Parada Giro en el sentido anti-horario, lento a rápido |

4 Ch

| Canal | Función | Valor | Porcentaje/Configuración |
|-------|------------------------|--------------------------------------------------|-------------------------------------------------------------------------------------------------------------------------------------|
| 1 | Atenuador | 000 ⇔ 255 | 0–100% |
| 2 | Rueda de color virtual | 000 ⇔ 255 | Vea Tabla de Colores VCW |
| 3 | Temperatura de color | 000 ⇔ 255 | Vea Gráfico de temperaturas de color |
| 4 | Gobo giratorio | 000 ⇔ 127 128 ⇔ 190 191 ⇔ 192 193 ⇔ 255 | índice de gobo giratorio Giro en el sentido horario, lento a rápido Parada Giro en el sentido anti-horario, lento a rápido |

HSV

| Canal | Función | Valor | Porcentaje/Configuración |
|-------|----------------|--------------------------------------------------|-------------------------------------------------------------------------------------------------------------------------------------|
| 1 | Matiz | 000 ⇔ 255 | 0–100% |
| 2 | Saturación | 000 ⇔ 255 | 0–100% |
| 3 | Valor | 000 ⇔ 255 | 0–100% |
| 4 | Gobo giratorio | 000 ⇔ 127 128 ⇔ 190 191 ⇔ 192 193 ⇔ 255 | índice de gobo giratorio Giro en el sentido horario, lento a rápido Parada Giro en el sentido anti-horario, lento a rápido |

À Propos de ce Manuel

Le Manuel de Référence du Ovation E-910FC IP (MR) reprend des informations de base sur cet appareil notamment en matière de connexions, montage, options de menu et valeurs DMX. Télécharger le Manuel d'Utilisation sur www.chauvetprofessional.com pour de plus amples informations.

Clause de Non-Responsabilité

Les informations et caractéristiques contenues dans ce manuel sont sujettes à changement sans préavis.

GARANTIE LIMITÉE

VEUILLEZ VISITER NOTRE SITE INTERNET POUR CONSULTER LES MODALITÉS D'ENREGISTREMENT DE LA GARANTIE ET LES CONDITIONS GÉNÉRALES COMPLÈTES.

Pour les clients aux États-Unis et au Mexique: www.chauvetlighting.com/warranty-registration.

Pour les clients du Royaume-Uni, de la République d'Irlande, de la Belgique, des Pays-Bas, du Luxembourg, de la France et de l'Allemagne: www.chauvetlighting.eu/warranty-registration/.

Chauvet garantit que cet appareil est exempt de défauts de matériaux et de fabrication dans des conditions normales d'utilisation, pendant la période spécifiée dans la garantie limitée complète consultable sur notre site Internet et sous réserve des exclusions et limitations qui y sont énoncées. Cette garantie ne s'applique qu'à l'acheteur initial du produit et n'est pas transférable. Pour exercer les droits prévus par cette garantie, vous devez fournir une preuve d'achat sous la forme d'un reçu de vente original d'un revendeur autorisé qui indique le nom du produit et la date d'achat. IL N'EXISTE AUCUNE AUTRE GARANTIE EXPRESSE OU IMPLICITE. Cette garantie vous confère des droits légaux spécifique. Vous pouvez également bénéficier d'autres droits qui varient selon les états et les pays. Cette garantie n'est valable qu'aux États-Unis, au Royaume-Uni, en République d'Irlande, en Belgique, aux Pays-Bas, au Luxembourg, en France, en Allemagne et au Mexique. Pour connaître les conditions de garantie dans d'autres pays, veuillez consulter votre revendeur local.

Consignes de Sécurité

- N'ouvrez PAS cet appareil. Il ne contient aucun composant susceptible d'être réparé par l'utilisateur.
- Durant les périodes de non-utilisation, pour éviter tout usure inutile et pour prolonger la durée de vie, déconnectez entièrement l'appareil en le débranchant de l'alimentation électrique ou en coupant le disjoncteur.
- Ne regardez PAS la source lumineuse lorsque l'appareil fonctionne.
- ATTENTION: le boîtier de cet appareil est brûlant lors du fonctionnement.
- Montez toujours cet appareil dans un endroit bien ventilé, à au moins, 20 pouces (50 cm) des surfaces adjacentes.
- Ne laissez AUCUNE source inflammable dans un rayon de 50 cm de l'appareil lorsque celui-ci fonctionne.
- Attention : Lorsque l'appareil est transféré d'un environnement à température extrême à un autre (par exemple d'un camion froid vers une salle de bal chaude et humide), de la condensation peut se former sur les composants électriques internes. Pour éviter de causer des dommages, laissez l'appareil s'acclimater entièrement au milieu environnant avant de le mettre sous tension.
- Ne convient pas aux installations permanentes en extérieur sur des sites sujets à des conditions environnementales extrêmes. Cela inclut par exemple :
 - L'exposition à un environnement marin ou à une solution saline (à moins de 4,8 kilomètres d'un corps d'eau salée).
 - Lorsque les températures moyennes hautes ou basses du site dépassent les plages de températures indiquées dans ce manuel.
 - Les sites qui sont sujets aux inondations ou qui présentent un risque d'être ensevelis sous la neige.
 - Tout autre endroit où le produit risque d'être soumis à des rayonnements extrêmes ou à des substances caustiques.
- Utilisez TOUJOURS un câble de sécurité lorsque vous montez cet appareil en hauteur.
- N'immergez PAS ce produit (IP 65). Un usage normal en extérieur est autorisé.
- N'utilisez PAS cet appareil si le boîtier, les lentilles ou les câbles vous semblent endommagés.
- Ne connectez PAS cet appareil ni à un gradateur ni à un rhéostat.
- Connectez UNIQUEMENT cet appareil à un circuit protégé et relié à la terre.
- Transportez/Suspendez cet appareil UNIQUEMENT par le support de montage dont il est doté.
- En cas de sérieux problèmes de fonctionnement, arrêtez le système immédiatement.
- La température ambiante maximale supportée par cet appareil est de 113 °F (45 °C). Ne le faites pas fonctionner à des températures plus élevées.

Conformité FCC

Cet appareil est conforme à la partie 15, sous-partie B du règlement de la FCC. L'utilisation est soumise aux deux conditions suivantes :

1. Cet appareil ne doit pas causer d'interférences nuisibles, et
2. Cet appareil doit accepter toutes les interférences reçues, y compris celles pouvant entraîner un fonctionnement indésirable.

Tout changement ou modification non expressément approuvé par l'autorité responsable de la conformité pourrait annuler le droit de l'utilisateur à utiliser l'équipement.

Contact

En dehors des États-Unis, du Royaume-Uni, de l'Irlande, du Benelux, de la France, de l'Allemagne, ou du Mexique, contactez votre fournisseur si vous avez besoin d'assistance ou de retourner votre appareil. Consultez le site [Contact Us](#) pour trouver nos coordonnées.

Ce Qui est Inclus

- Ovation E-910FC IP
- Seetronic Powerkon IP65 cordon d'alimentation
- Manuel de Référence

Alimentation CA

Cet appareil est doté d'une alimentation universelle prenant en charge toute tension d'entrée comprise entre 100 et 240 VCA, 50/60 Hz.

Connexion Électrique

Vous pouvez connecter entre eux jusqu'à 7 Ovation E-910FC IP à 120 V, 11 unités à 208 V, ou 12 unités à 230 V. Ne dépassez jamais cette limite. Vous pouvez vous procurer séparément des cordons d'alimentation.

Prise CA

| Connexion | Câble (États-Unis) | Câble (Europe) | Couleur de la vis |
|---------------|--------------------|----------------|-------------------|
| Conducteur CA | Noir | Marron | Jaune/Cuivré |
| Neutre CA | Blanc | Bleu | Argenté |
| Terre CA | Vert/Jaune | Vert/Jaune | Vert |



- **Durant les périodes de non-utilisation, pour éviter toute usure inutile et pour prolonger la durée de vie, déconnectez-entièrement l'appareil en le débranchant de l'alimentation électrique ou en coupant le disjoncteur.**
- **Lors de l'utilisation de cet appareil en environnement extérieur, utilisez des câbles de données certifiés IP65 au minimum. Assurez-vous de protéger les ports d'alimentation et de données non utilisés avec les couvercles IP 65 fournis.**

Raccordement DMX

Le Ovation E-910FC IP fonctionnera avec un jeu d'orgues DMX au moyen de connexions DMX en série standard. Une introduction au DMX est à votre disposition sur www.chauvetprofessional.com.

Connexion DMX

Le Ovation E-910FC IP utilise une connexion de données DMX standard pour ses personnalités DMX: **4 Ch, 6 Ch, 8 Ch, 11 Ch, 13 Ch, 14 Ch, 16 Ch**, et **HSV**. Consultez le Manuel d'Utilisation pour connecter et configurer le système DMX.



Lors de l'utilisation de cet appareil dans un environnement extérieur de type IP65, assurez-vous d'utiliser des câbles certifiés IP65 (ou mieux) et de protéger les ports non utilisés avec les couvercles IP65 inclus.

Connexion Maître/ Esclave

Le Ovation E-910FC IP utilise une connexion de données DMX pour son mode Maître/Esclave. Consultez le Manuel d'Utilisation pour connecter et configurer le mode de fonctionnement Maître/Esclave.

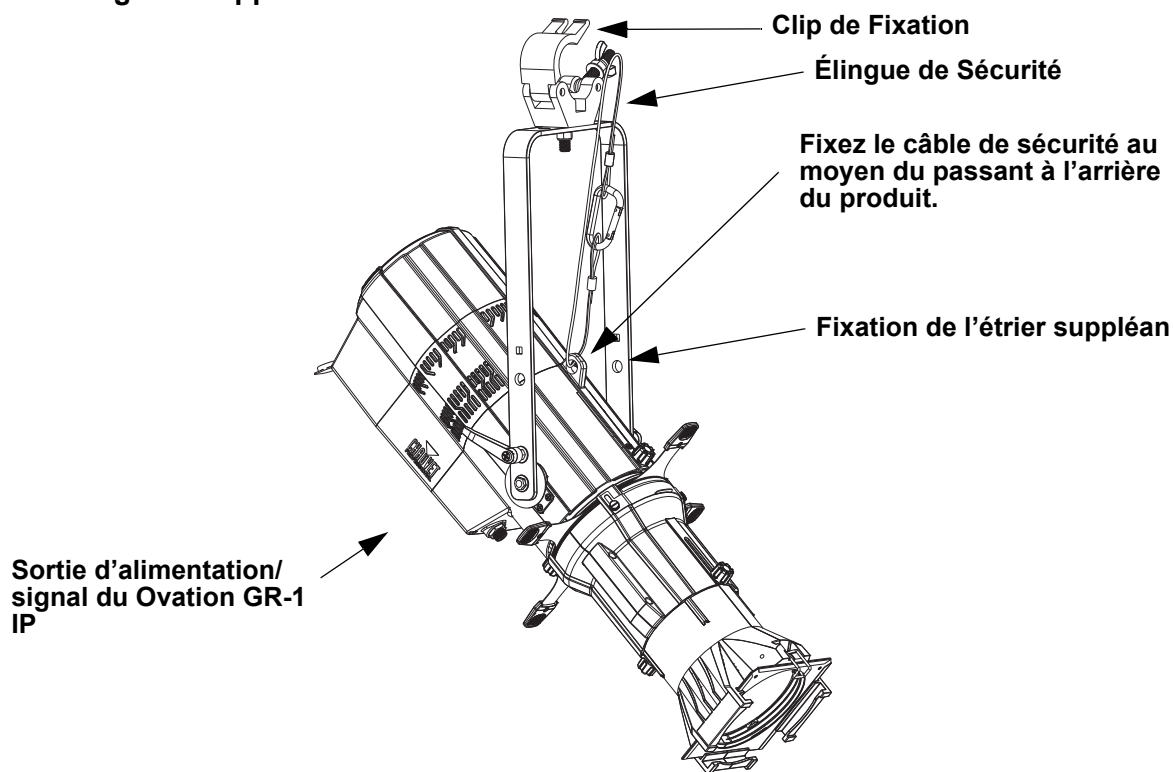
RDM (Gestion des périphériques à distance)

Le protocole RDM (gestion des périphériques à distance) est un standard pour la communication bidirectionnelle des appareils dotés de fonctions DMX dans un câblage DMX existant. Le Ovation E-910FC IP supporte le protocole RDM permettant un retour d'information pour la surveillance et des changements des options de menu. Veuillez télécharger le manuel de l'utilisateur à partir du site internet www.chauvetprofessional.com pour plus de détails.

Installation

Avant de monter cet appareil, lisez et assimilez les [Consignes de Sécurité](#). Veillez à ce que les fixations sont capables de supporter le poids de l'unité. Découvrez notre gamme de fixations Chauvet sur <http://trusst.com/productcategory/truss-clamps/>.

Schéma de Montage de l'Appareil



Montage en Hauteur

Description du Tableau de Commandes

| Bouton | Fonction |
|---------|-----------------------------------------------------------------------------------------------------------------------|
| <MENU> | Permet la sortie du menu ou de la fonction en cours |
| <ENTER> | Permet l'affichage du menu en cours ou permet de configurer la valeur en cours dans la fonction sélectionnée |
| <UP> | Permet de parcourir les listes ou les menus vers le haut, dans une fonction permet d'augmenter les valeurs numériques |
| <DOWN> | Permet de parcourir les listes ou les menus vers le bas, dans une fonction permet de diminuer les valeurs numériques |

Code d'accès

Une fois affiché, saisissez le code d'accès suivant comme suit:

<UP>, <DOWN>, <UP>, <DOWN>, <ENTER>

Ce code ne peut pas être modifié et doit être saisi sur demande.

Tubes de Lentilles

Les tubes de lentilles suivantes sont disponibles à l'achat:

- 19°, 26°, 36°, et 50° Gélatine (accessoires 6,25 pouces/159 mm)
- 14°, 15°-30° et 25°-50° Zoom Gélatine (accessoires 7, 5 pouces/191 mm).

Roue de Couleurs Virtuelles (VCW)

Le Ovation E-910FC IP dispose d'une fonction appelée Roue de Couleur Virtuelle (VCW - Virtual Color Wheel). Cette fonction est disponible en mode de contrôle autonome pour une utilisation manuelle mais également en tant que canal de contrôle dans certaines personnalités DMX. Plus de 30 couleurs pré-mélangées, personnalisées par nos ingénieurs, sont disponibles pour faciliter la programmation.

Les valeurs DMX utilisées pour mélanger ces couleurs sont indiquées ci-dessous. Vous pouvez ajuster l'intensité globale du Ovation afin de reproduire plus fidèlement les couleurs que vous avez l'habitude d'utiliser. Un graphique est disponible sur notre site Web à l'adresse www.chauvetprofessional.com pour comparer nos couleurs pré-mélangées avec des couleurs de gel populaires. Ce tableau est fourni uniquement à des fins de comparaison et ne certifie pas que nos couleurs pré-mélangées correspondent aux couleurs de gel énumérées.

Gamme de Couleurs

| Valeurs des Canaux DMX | Affichage à l'Écran | Valeur Rouge | Valeur Vert | Valeur Bleu | Valeur Ambre | Valeur Lime |
|------------------------|-----------------------------|--------------|-------------|-------------|--------------|-------------|
| 000 ⇔ 005 | -- | 000 | 000 | 000 | 000 | 000 |
| 006 ⇔ 013 | C3050 - Md Yellow | 233 | 163 | 020 | 123 | 255 |
| 014 ⇔ 021 | C3040 - Lt Yellow | 224 | 158 | 047 | 255 | 231 |
| 022 ⇔ 028 | C3240 - Amb Yellow | 180 | 060 | 000 | 245 | 255 |
| 029 ⇔ 035 | C2340 - VLt Amber | 245 | 107 | 081 | 255 | 213 |
| 036 ⇔ 043 | C2040 - Lt Amber | 230 | 130 | 062 | 255 | 155 |
| 044 ⇔ 051 | C2050 - Md Amber | 255 | 000 | 025 | 255 | 194 |
| 052 ⇔ 059 | C2060 - Dk Amber | 255 | 000 | 024 | 255 | 150 |
| 060 ⇔ 067 | C1050 - Lt Red | 255 | 037 | 027 | 030 | 038 |
| 068 ⇔ 075 | C1080 - Md Red | 255 | 004 | 017 | 000 | 000 |
| 076 ⇔ 083 | C1020 - NC Pink | 238 | 135 | 129 | 255 | 255 |
| 084 ⇔ 091 | C1030 - Md Pink | 255 | 131 | 120 | 255 | 195 |
| 092 ⇔ 099 | C1630 - Dk Pink | 255 | 165 | 123 | 255 | 210 |
| 100 ⇔ 107 | C1250 - Md Red Amber | 255 | 000 | 041 | 195 | 055 |
| 108 ⇔ 115 | C1060 - Dk Red Amber | 255 | 000 | 045 | 120 | 030 |
| 116 ⇔ 121 | C1650 - Magenta | 255 | 050 | 115 | 255 | 115 |
| 122 ⇔ 130 | C6170 - Dk Magenta | 255 | 035 | 117 | 000 | 000 |
| 131 ⇔ 138 | C6020 - Lt Lavender | 127 | 122 | 142 | 251 | 255 |
| 139 ⇔ 146 | C5030 - Lt Blue | 000 | 255 | 197 | 100 | 255 |
| 147 ⇔ 154 | C5020 - VLt Blue | 158 | 255 | 189 | 000 | 255 |
| 155 ⇔ 162 | C5430 - Lt Blue 2 | 000 | 255 | 180 | 000 | 243 |
| 163 ⇔ 170 | C5070 - Blue | 043 | 255 | 210 | 043 | 036 |
| 171 ⇔ 178 | C5050 - Md Blue | 000 | 255 | 218 | 000 | 181 |
| 179 ⇔ 186 | C5060 - Dk Blue | 000 | 210 | 206 | 000 | 118 |
| 187 ⇔ 194 | C5690 - Indigo | 065 | 000 | 210 | 040 | 055 |
| 195 ⇔ 202 | C5080 - VDK Blue | 000 | 203 | 230 | 000 | 040 |
| 203 ⇔ 210 | C5081 - VDK Blue2 | 040 | 199 | 240 | 000 | 045 |
| 211 ⇔ 218 | C4370 - Yel Green | 027 | 255 | 028 | 016 | 104 |
| 219 ⇔ 226 | C4070 - Green | 049 | 255 | 055 | 120 | 090 |
| 227 ⇔ 234 | C4550 - Turquoise | 060 | 230 | 109 | 000 | 245 |
| 235 ⇔ 242 | C4560 - Aqua | 020 | 240 | 126 | 036 | 255 |
| 243 ⇔ 250 | C4570 - Blue Green | 000 | 255 | 079 | 030 | 053 |
| 251 ⇔ 255 | -- | 000 | 000 | 000 | 000 | 000 |



Remarque: Les couleurs ci-dessus sont des rendus simulés de couleurs produits sur base des couleurs émises par les appareils à incandescence. Chauvet ne peut garantir l'exactitude du rendu d'une couleur.

Gamme des températures de couleur

| Valeurs des Canaux DMX | Affichage à l'Écran | Valeur Rouge | Valeur Vert | Valeur Bleu | Valeur Ambre | Valeur Lime |
|------------------------|---------------------|--------------|-------------|-------------|--------------|-------------|
| 000 ⇔ 005 | -- | 000 | 000 | 000 | 000 | 000 |
| 006 ⇔ 025 | 2800K | 255 | 199 | 107 | 253 | 255 |
| 026 ⇔ 050 | 3200K | 253 | 247 | 129 | 255 | 255 |
| 051 ⇔ 075 | 3500K | 234 | 255 | 141 | 253 | 255 |
| 076 ⇔ 100 | 4000K | 204 | 255 | 156 | 243 | 255 |
| 101 ⇔ 125 | 4500K | 181 | 248 | 166 | 224 | 255 |
| 126 ⇔ 150 | 5000K | 160 | 255 | 180 | 241 | 255 |
| 151 ⇔ 175 | 5600K | 138 | 255 | 191 | 241 | 255 |
| 176 ⇔ 200 | 6000K | 147 | 255 | 193 | 203 | 255 |
| 201 ⇔ 225 | 6500K | 142 | 251 | 197 | 187 | 255 |
| 226 ⇔ 255 | -- | 000 | 000 | 000 | 000 | 000 |



Remarque: Les températures de couleur ci-dessus sont des rendus simulés de la sortie de couleur effectivement générée par comparaison avec une lampe tungstène à la température de couleur spécifiée. Chauvet ne donne aucune garantie sur la précision de la sortie de couleur.

Tableau de Menu

| Niveau Principal | Niveaux de Programmation | | Description | |
|----------------------------|----------------------------|---------------------------|------------------------------------------------------------------------------------------------------------------------------|---------------------------------------------------------------------------------------------------------------------------------------------------------------------------------------|
| DMX Address | 001–509* | | Permet de sélectionner l'adresse de démarrage (le canal le plus élevé est restreint à la personnalité choisie) | |
| DMX Channel | 4 Ch | | 4-canaux: gradateur, VCW, température de couleur, rotation de gobo | |
| | 6 Ch | | 6-canaux: RGBAL, rotation de gobo | |
| | 8 Ch | | 8-canaux: gradateur, RGBAL, stroboscope, rotation de gobo | |
| | 11 Ch | | 11-canaux: gradateur 16-bit, RGBAL, stroboscope, VCW, température de couleur, rotation de gobo | |
| | 13 Ch | | 13-canaux: gradateur, RGBAL, stroboscope, VCW, température de couleur, programmes, vitesse, mode gradation, rotation de gobo | |
| | 14 Ch | | 14-canaux: gradateur 16-bit, RGBAL 16-bit, stroboscope, rotation de gobo | |
| | 16 Ch | | 16-canaux: gradateur 16-bit, RGBAL 16-bit, stroboscope, VCW, température de couleur, rotation de gobo | |
| Virtual Color Wheel | Virtual Color Wheel | HSV | 4-canaux: teinte, saturation, valeur, rotation de gobo | |
| | | C3050-Md Yellow | Dimmer <000–255> | Roue de Couleurs Virtuelles (VCW) simule le rendu des gélaines de couleur de Rosco. Consultez la section Gamme de Couleurs pour en connaître les valeurs spécifiques. |
| | | C3040-Lt Yellow | | |
| | | C3240-Amb Yellow | | |
| | | C2340-VLt Amber | | |
| | | C2040-Lt Amber | | |
| | | C2050-Md Amber | | |
| | | C2060-Dk Amber | | |
| | | C1050-Lt Red | | |
| | | C1080-Md Red | | |
| | | C1020-NC Pink | | |
| | | C1030-Md Pink | | |
| | | C1630-Dk Pink | | |
| | | C1250-Md Red Amber | | |
| | | C1060-Dk Red Amber | | |
| | | C1650-Magenta | | |
| | | C6170-Dk Magenta | | |
| C6020-Lt Lavender | | | | |
| C5030-Lt Blue | | | | |
| C5020-VLt Blue | | | | |

| Niveau Principal | Niveaux de Programmation | | | Description |
|---------------------|--------------------------|----------------------------------------------------------------------------------------------|----------------------------------------------------------------------------|----------------------------------------------------------------------------------------------------------------------------------------------------------------------------------------|
| Virtual Color Wheel | Virtual Color Wheel | C5430-Lt Blue2 | Dimmer <000–255> | Roue de Couleurs Virtuelles (VCW) simule le rendu des gélâtines de couleur de Rosco. Consultez la section Gamme de Couleurs pour en connaître les valeurs spécifiques. |
| | | C5070-Blue | | |
| | | C5050-Md Blue | | |
| | | C5060-Dk Blue | | |
| | | C5690- Indigo | | |
| | | C5080-VDk Blue | | |
| | | C5081-VDk Blue2 | | |
| | | C4370-Yel Green | | |
| | | C4070-Green | | |
| | | C4550-Turquoise | | |
| | | C4560-Aqua | | |
| | C4570-Blue Green | | | |
| | Color Temperature | 2800K | | |
| | | 3200K | | |
| | | 3500K | | |
| 4000K | | | | |
| 4500K | | | | |
| 5000K | | | | |
| 5600K | | | | |
| Manual Color Mixer | Red | Combine les couleurs rouge, vert, bleu, ambre et lime pour un résultat personnalisé (0–100%) | | |
| | Green | | | |
| | Blue | | | |
| | Amber | | | |
| | Lime | | | |
| Auto Show | Auto 1–5 | <001–100> | Sélectionne les programmes automatiques et vitesse | |
| Gobo Rotator | 0–255 | | Index de rotation de gobo | |
| Master/ Slave | Master | | Commande du zoom | |
| | Slave | | Mode DMX (Maître) | |
| Dimmer Mode | Off | | Mode esclave | |
| | Dimmer 1–3 | | Gradateur linéaire | |
| White Balance | Off | | Courbes de gradation rapide (Dimmer 1) à lent (Dimmer 3) | |
| | Manual | Red | <000–255> | Utilise le paramétrage de blanc définit en usine |
| | | Green | | Définit la valeur maximale de LED rouge |
| | | Blue | | Définit la valeur maximale de LED verte |
| | | Amber | | Définit la valeur maximale de LED bleue |
| Lime | | Définit la valeur maximale de LED ambre | | |
| LED Frequency | 600Hz | | Permet de sélectionner la fréquence de sortie MLI | |
| | 1200Hz | | | |
| | 2000Hz | | | |
| | 4000Hz | | | |
| | 6000Hz | | | |
| | 25KHz | | | |
| Fan Mode | Auto | | Réglez le ventilateur en mode automatique | |
| | On | | Réglez le mode de ventilateur toujours | |
| | Off | | Règle le ventilateur sur toujours | |
| | Silent | | Règle le ventilateur sur silencieux | |

| Niveau Principal | Niveaux de Programmation | | Description |
|------------------|--------------------------|-----------------------|----------------------------------------------------------------------|
| Back Light | On | | Affichage rétro-éclairage toujours active |
| | 10S | | Désactive l'affichage rétro-éclairage après 10 secondes d'inactivité |
| | 20S | | Désactive l'affichage rétro-éclairage après 20 secondes d'inactivité |
| | 30S | | Désactive l'affichage rétro-éclairage après 30 secondes d'inactivité |
| Key Lock | On | | Permet d'activer ou désactiver le mot de passe |
| | Off | | |
| Gobo Power | On | | Permet d'activer ou désactiver la sortie d'alimentation du gobo |
| | Off | | |
| Information | Fixture Hours | <_ _ _ _ H> | Affiche le nombre total des heures du produit |
| | Version | <V _ . _> | Affiche la version du logiciel installée |
| | UID | <_ _ _ _ _ _ _ _ _ _> | Affiche UID actuel |
| Reset Factory | No | | Permet de réinitialiser aux valeurs par défaut d'usine |
| | Yes | | |

DMX Values

16 Ch

| Canal | Fonction | Valeur | Pourcentage/Configuration |
|-------|-----------------------------|-----------|--------------------------------------------------------------------------------------------------------------|
| 1 | Gradateur | 000 ⇔ 255 | 0–100% |
| 2 | Gradateur fin | 000 ⇔ 255 | 0–100% |
| 3 | Rouge | 000 ⇔ 255 | 0–100% |
| 4 | Rouge fin | 000 ⇔ 255 | 0–100% |
| 5 | Vert | 000 ⇔ 255 | 0–100% |
| 6 | Vert fin | 000 ⇔ 255 | 0–100% |
| 7 | Bleu | 000 ⇔ 255 | 0–100% |
| 8 | Bleu fin | 000 ⇔ 255 | 0–100% |
| 9 | Ambre | 000 ⇔ 255 | 0–100% |
| 10 | Ambre fin | 000 ⇔ 255 | 0–100% |
| 11 | Lime | 000 ⇔ 255 | 0–100% |
| 12 | Lime fin | 000 ⇔ 255 | 0–100% |
| 13 | Stroboscope | 000 ⇔ 010 | Pas de fonction Stroboscope, lent à rapide |
| | | 011 ⇔ 255 | |
| 14 | Roue de couleurs virtuelles | 000 ⇔ 255 | Consultez la section Gamme de Couleurs |
| 15 | Température de la couleur | 000 ⇔ 255 | Consultez la section Gamme des températures de couleur |
| 16 | Rotation de Gobo | 000 ⇔ 127 | Index de rotation de gobo Rotation horaire, lent à rapide Arrêt Rotation antihoraire, lent à rapide |
| | | 128 ⇔ 190 | |
| | | 191 ⇔ 192 | |
| | | 193 ⇔ 255 | |

14 Ch

| Canal | Fonction | Valeur | Pourcentage/Configuration |
|-------|------------------|--------------------------------------------------|--------------------------------------------------------------------------------------------------------------|
| 1 | Gradateur | 000 ⇄ 255 | 0–100% |
| 2 | Gradateur fin | 000 ⇄ 255 | 0–100% |
| 3 | Rouge | 000 ⇄ 255 | 0–100% |
| 4 | Rouge fin | 000 ⇄ 255 | 0–100% |
| 5 | Vert | 000 ⇄ 255 | 0–100% |
| 6 | Vert fin | 000 ⇄ 255 | 0–100% |
| 7 | Bleu | 000 ⇄ 255 | 0–100% |
| 8 | Bleu fin | 000 ⇄ 255 | 0–100% |
| 9 | Ambre | 000 ⇄ 255 | 0–100% |
| 10 | Ambre fin | 000 ⇄ 255 | 0–100% |
| 11 | Lime | 000 ⇄ 255 | 0–100% |
| 12 | Lime fin | 000 ⇄ 255 | 0–100% |
| 13 | Stroboscope | 000 ⇄ 010 011 ⇄ 255 | Pas de fonction Stroboscope, lent à rapide |
| 14 | Rotation de Gobo | 000 ⇄ 127 128 ⇄ 190 191 ⇄ 192 193 ⇄ 255 | Index de rotation de gobo Rotation horaire, lent à rapide Arrêt Rotation antihoraire, lent à rapide |

13 Ch

| Canal | Fonction | Valeur | Pourcentage/Configuration |
|-------|-----------------------------|----------------------------------------------------------------------------|--------------------------------------------------------------------------------------------------------------------------------------------------------|
| 1 | Gradateur | 000 ⇄ 255 | 0–100% |
| 2 | Rouge | 000 ⇄ 255 | 0–100% |
| 3 | Vert | 000 ⇄ 255 | 0–100% |
| 4 | Bleu | 000 ⇄ 255 | 0–100% |
| 5 | Ambre | 000 ⇄ 255 | 0–100% |
| 6 | Lime | 000 ⇄ 255 | 0–100% |
| 7 | Strobe | 000 ⇄ 010 011 ⇄ 255 | Pas de fonction Stroboscope, lent à rapide |
| 8 | Roue de couleurs virtuelles | 000 ⇄ 255 | Consultez la section Gamme de Couleurs |
| 9 | Température de la couleur | 000 ⇄ 255 | Consultez la section Gamme des températures de couleur |
| 10 | Programmes automatiques | 000 ⇄ 010 011 ⇄ 060 061 ⇄ 110 111 ⇄ 160 161 ⇄ 210 211 ⇄ 255 | Pas de fonction Programme automatique 1 Programme automatique 2 Programme automatique 3 Programme automatique 4 Programme automatique 5 |
| 11 | Vitesse du programme | 000 ⇄ 255 | Vitesse du programme, lent à rapide |
| 12 | Vitesse du Gradateur | 000 ⇄ 051 052 ⇄ 101 102 ⇄ 152 153 ⇄ 203 204 ⇄ 255 | Pas de fonction Gradateur linéaire Courbe de gradation 1 Courbe de gradation 2 Courbe de gradation 3 |
| 13 | Rotation de Gobo | 000 ⇄ 127 128 ⇄ 190 191 ⇄ 192 193 ⇄ 255 | Index de rotation de gobo Rotation horaire, lent à rapide Arrêt Rotation antihoraire, lent à rapide |

FR

11 Ch

| Canal | Fonction | Valeur | Pourcentage/Configuration |
|-------|-----------------------------|--------------------------------------------------|--------------------------------------------------------------------------------------------------------------|
| 1 | Gradateur | 000 ⇔ 255 | 0–100% |
| 2 | Gradateur fin | 000 ⇔ 255 | 0–100% |
| 3 | Rouge | 000 ⇔ 255 | 0–100% |
| 4 | Vert | 000 ⇔ 255 | 0–100% |
| 5 | Bleu | 000 ⇔ 255 | 0–100% |
| 6 | Ambre | 000 ⇔ 255 | 0–100% |
| 7 | Lime | 000 ⇔ 255 | 0–100% |
| 8 | Stroboscope | 000 ⇔ 010 011 ⇔ 255 | Pas de fonction Stroboscope, lent à rapide |
| 9 | Roue de couleurs virtuelles | 000 ⇔ 255 | Consultez la section Gamme de Couleurs |
| 10 | Température de la couleur | 000 ⇔ 255 | Consultez la section Gamme des températures de couleur |
| 11 | Rotation de Gobo | 000 ⇔ 127 128 ⇔ 190 191 ⇔ 192 193 ⇔ 255 | Index de rotation de gobo Rotation horaire, lent à rapide Arrêt Rotation antihoraire, lent à rapide |

8 Ch

| Canal | Fonction | Valeur | Pourcentage/Configuration |
|-------|------------------|--------------------------------------------------|--------------------------------------------------------------------------------------------------------------|
| 1 | Dimmer | 000 ⇔ 255 | 0–100% |
| 2 | Rouge | 000 ⇔ 255 | 0–100% |
| 3 | Vert | 000 ⇔ 255 | 0–100% |
| 4 | Bleu | 000 ⇔ 255 | 0–100% |
| 5 | Ambre | 000 ⇔ 255 | 0–100% |
| 6 | Lime | 000 ⇔ 255 | 0–100% |
| 7 | Stroboscope | 000 ⇔ 010 011 ⇔ 255 | Pas de fonction Stroboscope, lent à rapide |
| 8 | Rotation de Gobo | 000 ⇔ 127 128 ⇔ 190 191 ⇔ 192 193 ⇔ 255 | Index de rotation de gobo Rotation horaire, lent à rapide Arrêt Rotation antihoraire, lent à rapide |

6 Ch

| Canal | Fonction | Valeur | Pourcentage/Configuration |
|-------|------------------|--------------------------------------------------|--------------------------------------------------------------------------------------------------------------|
| 1 | Rouge | 000 ⇔ 255 | 0–100% |
| 2 | Vert | 000 ⇔ 255 | 0–100% |
| 3 | Bleu | 000 ⇔ 255 | 0–100% |
| 4 | Ambre | 000 ⇔ 255 | 0–100% |
| 5 | Lime | 000 ⇔ 255 | 0–100% |
| 6 | Rotation de Gobo | 000 ⇔ 127 128 ⇔ 190 191 ⇔ 192 193 ⇔ 255 | Index de rotation de gobo Rotation horaire, lent à rapide Arrêt Rotation antihoraire, lent à rapide |

4 Ch

| Canal | Fonction | Valeur | Pourcentage/Configuration |
|-------|-----------------------------|--------------------------------------------------|--------------------------------------------------------------------------------------------------------------|
| 1 | Gradateur | 000 ⇔ 255 | 0–100% |
| 2 | Roue de couleurs virtuelles | 000 ⇔ 255 | Consultez la section Gamme de Couleurs |
| 3 | Température de la couleur | 000 ⇔ 255 | Consultez la section Gamme des températures de couleur |
| 4 | Rotation de Gobo | 000 ⇔ 127 128 ⇔ 190 191 ⇔ 192 193 ⇔ 255 | Index de rotation de gobo Rotation horaire, lent à rapide Arrêt Rotation antihoraire, lent à rapide |

HSV

| Canal | Fonction | Valeur | Pourcentage/Configuration |
|-------|------------------|--------------------------------------------------|--------------------------------------------------------------------------------------------------------------|
| 1 | Teint | 000 ⇔ 255 | 0–100% |
| 2 | Saturation | 000 ⇔ 255 | 0–100% |
| 3 | Valeur | 000 ⇔ 255 | 0–100% |
| 4 | Rotation de Gobo | 000 ⇔ 127 128 ⇔ 190 191 ⇔ 192 193 ⇔ 255 | Index de rotation de gobo Rotation horaire, lent à rapide Arrêt Rotation antihoraire, lent à rapide |

Über diese Schnellanleitung

In der Schnellanleitung des Ovation E-910FC IP finden Sie die wesentlichen Produktinformationen, wie etwa über den Anschluss, die Montage, Menüoptionen und DMX-Werte des Geräts. Laden Sie für weiterführende Informationen unter www.chauvetprofessional.com das Benutzerhandbuch herunter.

Haftungsausschluss

Die in dieser Anleitung aufgeführten Informationen und Spezifikationen können ohne vorherige Ankündigung geändert werden.

EINGESCHRÄNKTE GARANTIE

ZUR REGISTRIERUNG FÜR GARANTIEANSPRÜCHE UND ZUR EINSICHT IN DIE VOLLSTÄNDIGEN GESCHÄFTSBEDINGUNGEN BESUCHEN SIE BITTE UNSERE WEBSITE.

Für Kunden in den USA und in Mexiko: www.chauvetlighting.com/warranty-registration.

Für Kunden im Vereinigten Königreich, in Irland, Belgien, den Niederlanden, Luxemburg, Frankreich und Deutschland: www.chauvetlighting.eu/warranty-registration/.

Chauvet garantiert für die in der auf unserer Website veröffentlichten vollständigen eingeschränkten Garantie genannten Dauer und unter Vorbehalt der darin genannten Haftungsausschlüsse und -beschränkungen, dass dieses Produkt bei normalen Gebrauch frei von Material- und Verarbeitungsfehlern ist. Diese Garantie erstreckt sich nur auf den Erstkäufer des Produkts und ist nicht übertragbar. Zur Ausübung der unter dieser Garantie gewährten Rechte ist der Kaufbeleg in Form der Originalrechnung von einem autorisierten Händler vorzulegen, in der die Produktbezeichnung und das Kaufdatum vermerkt sein müssen. **ES BESTEHEN KEINE WEITEREN AUSDRÜCKLICHEN ODER STILLSCHWEIGENDEN GARANTIEEN.** Diese Garantie gibt Ihnen besondere gesetzliche Rechte. Und Sie haben möglicherweise weitere Rechte, die von Land zu Land unterschiedlich sein können. Diese Garantie ist nur in den USA, im Vereinigten Königreich, in Irland, Belgien, den Niederlanden, Luxemburg, Frankreich, Deutschland und Mexiko gültig. Bezüglich der Garantiebestimmungen in anderen Ländern wenden Sie sich bitte an Ihren lokalen Händler.

Sicherheitshinweise

- Dieses Gerät NICHT öffnen. Die eingebauten Komponenten sind für den Kunden wartungsfrei.
- Um unnötigen Verschleiß zu vermeiden und die Lebensdauer des Geräts zu verlängern, trennen Sie während längerer Perioden des Nichtgebrauchs das Gerät vom Stromnetz – entweder per Trennschalter oder durch Herausziehen des Steckers aus der Steckdose.
- NIEMALS in die Lichtquelle schauen, während das Gerät eingeschaltet ist.
- VORSICHT: Das Gehäuse dieses Produkts kann während des Betriebs heiß werden. Installieren Sie das Gerät an einem Ort mit ausreichender Belüftung und mit einem Abstand von mindestens 50 cm zu den angrenzenden Flächen.
- Belassen Sie KEINE entflammaren Materialien in einem Umkreis von 50 cm dieses Geräts, während es in Betrieb oder an der Stromversorgung angeschlossen ist.
- VORSICHT: Beim Transport des Geräts von einer Umgebung mit außergewöhnlichen Temperaturen in eine andere solche Umgebung (z. B. aus einem kalten Transporter in einen warm-feuchten Ballsaal) kann an der im Gerät enthaltenen Elektronik Wasser kondensieren. Um einen Defekt zu vermeiden, muss sich das Gerät erst in der neuen Umgebung akklimatisiert haben, bevor es an die Stromversorgung angeschlossen werden kann.
- Dieses Geräts eignet sich nicht für eine permanente Installation im Außenbereich an Orten mit extremen Umweltbedingungen. Dies beinhaltet insbesondere:
 - Exposition gegenüber Meeres-/salzhaltigen Umgebungen (innerhalb von 5 km eines salzhaltigen Gewässers).
 - Orte, an denen die normalen Niedrigst- oder Höchsttemperaturen außerhalb des im Handbuch angegebenen Temperaturbereichs liegen.
 - Orte, die überflutet oder zugeschneit werden können.
 - Sonstige Bereiche, in denen das Produkt einer großen Strahlung oder ätzenden Substanzen ausgesetzt ist.
- VERWENDEN Sie bei Montage über Kopf immer ein Sicherheitsseil.
- Dieses Gerät darf NICHT in Wasser eingetaucht werden (IP65). Eine regelmäßige Verwendung dieses Geräts im Freien ist möglich.
- NIEMALS das Gerät in Betrieb nehmen, wenn Ihnen das Gehäuse, die Linsen oder das Kabel beschädigt erscheinen.
- Schließen Sie dieses Gerät NICHT an einen Dimmer oder Regelwiderstand an.
- Schließen Sie dieses Produkt NUR an einen mit der Erde verbundenen und geschützten Stromkreis an.
- Das Gerät NUR an den Hänge-/Befestigungsbügeln oder Griffen tragen.
- Bei ernsthaften Betriebsproblemen stoppen Sie umgehend die Verwendung des Geräts.
- Die maximal zulässige Umgebungstemperatur beträgt 45 °C. Nehmen Sie das Gerät nicht bei höheren Temperaturen in Betrieb.

FCC-Konformität

Dieses Gerät erfüllt Teil 15, Teil B, der FCC-Bestimmungen. Der Betrieb ist an folgende zwei Bedingungen geknüpft:

1. Dieses Gerät darf keine schädlichen Interferenzen verursachen, und
2. Dieses Gerät muss empfangende Interferenzen aufnehmen können, auch Interferenzen, die eventuell einen unerwünschten Betrieb verursachen.

Jegliche Änderungen oder Modifikationen, die nicht ausdrücklich von der Partei genehmigt wurden, die für die Compliance zuständig ist, könnten die Berechtigung des Benutzers zum Betrieb dieses Geräts aufheben.

Kontakt

Kunden außerhalb der USA, GB, Irland, Mexiko, Frankreichs, Deutschlands oder der Benelux-Staaten wenden sich an ihren Lieferanten, um den Kundensupport in Anspruch zu nehmen oder ein Produkt zurückzuschicken. Kunden innerhalb der USA, GB, Irland, Mexiko, Frankreichs, Deutschlands oder der Benelux-Länder verwenden bitte die Informationen unter [Contact Us](#) am Ende dieser Schnellanleitung.

Packungsinhalt

- Ovation E-910FC IP
- Netzkabel Seetronic Powerkon IP65
- Schnellanleitung

Wechselstrom

Dieses Gerät verfügt über ein Vorschaltgerät, das automatisch die anliegende Spannung erkennt, sobald der Netzstecker in die Schukosteckdose gesteckt wird, und kann mit einer Eingangsspannung von 100~240 V AC, 50/60 Hz arbeiten.

Serienschaltung der Geräte

Sie können bis zu 7 Ovation E-910FC IP Geräte bei 120 V AC, 11 Geräte bei 208 V und 12 Geräte bei 230 V AC in Serie schalten. Diese Anzahl niemals überschreiten! Stromkabel für die Serienschaltung können separat erworben werden.

Wechselstromstecker

| Anschluss | Draht (USA) | Draht (Europa) | Schraubenfarbe |
|--------------------------|-------------|----------------|--------------------|
| Stromführender AC-Leiter | Schwarz | Braun | Gelb/Messingfarben |
| AC-Neutralleiter | Weiß | Blau | Silber |
| AC-Erdungsleiter | Grün/Gelb | Grün/Gelb | Grün |



- **Um Verschleiß zu vermeiden und die Lebensdauer des Geräts zu verlängern, trennen Sie während längerer Perioden des Nichtgebrauchs das Gerät vom Stromnetz – entweder per Trennschalter oder durch Herausziehen des Steckers aus der Steckdose.**
- **Vergewissern Sie sich bei einer Verwendung dieses Geräts im Außenbereich, in der die Schutzart IP65 erforderlich ist, dass Stromkabel der Schutzart IP65 (oder höher) verwendet werden und nicht genutzte Anschlüsse mit den angebrachten Abdeckungen der Schutzart IP65 gesichert werden**

DMX-Verbindung

De Ovation E-910FC IP kann mit einem DMX-Controller betrieben werden, wenn eine 5-polige DMX-Datenverbindung zum Einsatz kommt. Sie können sich eine Einführung in DMX unter www.chauvetprofessional.com herunterladen.

DMX-Anschluss

Der Ovation E-910FC IP nutzt zur Steuerung seiner DMX-Eigenschaften eine 5-polige DMX-Datenverbindung: **4 Ch, 6 Ch, 8 Ch, 11 Ch, 13 Ch, 14 Ch, 16 Ch**, und **HSV**. Informationen zum Anschließen und Konfigurieren des Geräts für einen DMX-Betrieb finden Sie in der Bedienungsanleitung.



- **Vergewissern Sie sich bei einer Verwendung dieses Geräts im Außenbereich, in der die Schutzart IP65 erforderlich ist, dass Datenkabel der Schutzart IP65 (oder höher) verwendet werden und nicht genutzte Anschlüsse mit den angebrachten Abdeckungen der Schutzart IP65 gesichert werden.**

Master/Slave-Schaltung

Der Ovation E-910FC IP verwendet für seinen Master/Slave-Modus eine DMX-Datenverbindung. Informationen zum Anschließen und Konfigurieren des Geräts für einen Master/Slave-Betrieb finden Sie in der Bedienungsanleitung.

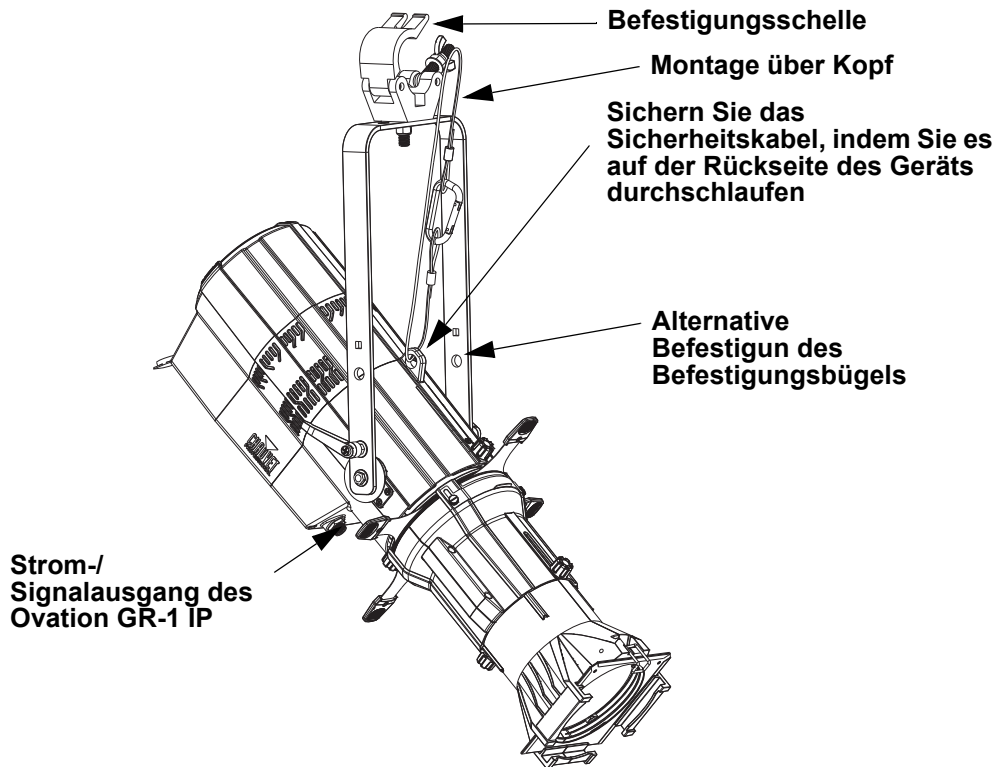
RDM (Remote Device Management)

Remote Device Management bzw. RDM ist ein Standard, mit dem DMX-aktivierte Geräte bidirektional entlang bestehender DMX-Kabel kommunizieren können. Der Ovation E-910FC IP unterstützt das RDM-Protokoll, über das Feedback zur Überwachung der Änderungen der Menüoptionen gegeben wird. Laden Sie für weiterführende Informationen unter www.chauvetprofessional.com das Benutzerhandbuch herunter.

Montage

Lesen Sie vor der Montage dieses Geräts die [Sicherheitshinweise](#). Mindestens einen Befestigungspunkt pro Gerät verwenden. Stellen Sie sicher, dass die Befestigungsklemmen dafür ausgelegt sind, das Produktgewicht tragen zu können. Informationen zu unserer CHAUVET-Produktlinie für Befestigungsklemmen finden Sie unter <http://trusst.com/productcategory/truss-clamps/>.

Ansicht Gerätemontage



Montageansicht

Descripción del Panel de Control

| Taste | Funktion |
|---------|----------------------------------------------------------------------------------------------------------------------------|
| <MENU> | Damit verlassen Sie das aktuelle Menü oder die Funktion. |
| <ENTER> | Damit wird das aktuell angezeigte Menü aktiviert oder der aktuell ausgewählte Wert einer Funktion eingestellt |
| <UP> | Damit navigieren Sie sich durch die Menüpunkte nach oben und erhöhen den numerischen Wert der entsprechenden Funktion. |
| <DOWN> | Damit navigieren Sie sich durch die Menüpunkte nach unten und verringern den numerischen Wert der entsprechenden Funktion. |

Linsenröhren

Folgende Linsenröhren sind erhältlich:

- 19°, 26°, 36°, and 50° mit Gel-Rahmen (Zubehör für 6,25"/159 mm)
- 14°, 15°–30° and 25°–50°, Zoom-Gel-Rahmen (Zubehör für 7,5"/191 mm)

Sicherheitscode

Geben Sie nach der entsprechenden Aufforderung den folgenden Sicherheitscode ein, indem Sie diese Tasten betätigen <UP>, <DOWN>, <UP>, <DOWN>, <ENTER>

Dieser Sicherheitscode kann nicht geändert werden und ist nach entsprechender Aufforderung immer zu verwenden.

Virtuelles Farbrad (VCW)

Der Ovation E-910FC IP verfügt über eine Funktion mit der Bezeichnung Virtuelles Farbrad (Virtual Color Wheel, VCW). Diese Funktion steht als Stand-alone-Steuerungsmodus für die manuelle Bedienung sowie als Steuerungskanal bei ausgewählten DMX-Eigenschaften zur Verfügung. Es sind mehr als 30 von unseren Technikern vorgemischte Farben verfügbar, um die Programmierung einfacher zu gestalten. Die zum Mischen dieser Farben verwendeten DMX-Werte sind nachstehend angegeben. Sie können die Gesamtintensität des Ovation anpassen, um die Farben, mit denen Sie vertraut sind, besser nachzubilden. Auf unserer Website www.chauvetprofessional.com finden Sie eine Tabelle, mit deren Hilfe Sie unsere vorgemischten Farben mit beliebigen Gel-Farben vergleichen können. Diese Tabelle dient einzig Vergleichszwecken und ist keine Gewähr dafür, dass unsere vorgemischten Farben mit einer der aufgeführten Gel-Farben übereinstimmen.

Tabelle: Virtuelles Farbrad

| DMX-Kanal-Wert | Anzeige auf Display | Roter Wert | Grüner Wert | Blauer Wert | Bernsteinfarbener Wert | Neongrüner Wert |
|----------------|-----------------------------|------------|-------------|-------------|------------------------|-----------------|
| 000 ⇔ 005 | -- | 000 | 000 | 000 | 000 | 000 |
| 006 ⇔ 013 | C3050 - Md Yellow | 233 | 163 | 020 | 123 | 255 |
| 014 ⇔ 021 | C3040 - Lt Yellow | 224 | 158 | 047 | 255 | 231 |
| 022 ⇔ 028 | C3240 - Amb Yellow | 180 | 060 | 000 | 245 | 255 |
| 029 ⇔ 035 | C2340 - V Lt Amber | 245 | 107 | 081 | 255 | 213 |
| 036 ⇔ 043 | C2040 - Lt Amber | 230 | 130 | 062 | 255 | 155 |
| 044 ⇔ 051 | C2050 - Md Amber | 255 | 000 | 025 | 255 | 194 |
| 052 ⇔ 059 | C2060 - Dk Amber | 255 | 000 | 024 | 255 | 150 |
| 060 ⇔ 067 | C1050 - Lt Red | 255 | 037 | 027 | 030 | 038 |
| 068 ⇔ 075 | C1080 - Md Red | 255 | 004 | 017 | 000 | 000 |
| 076 ⇔ 083 | C1020 - NC Pink | 238 | 135 | 129 | 255 | 255 |
| 084 ⇔ 091 | C1030 - Md Pink | 255 | 131 | 120 | 255 | 195 |
| 092 ⇔ 099 | C1630 - Dk Pink | 255 | 165 | 123 | 255 | 210 |
| 100 ⇔ 107 | C1250 - Md Red Amber | 255 | 000 | 041 | 195 | 055 |
| 108 ⇔ 115 | C1060 - Dk Red Amber | 255 | 000 | 045 | 120 | 030 |
| 116 ⇔ 121 | C1650 - Magenta | 255 | 050 | 115 | 255 | 115 |
| 122 ⇔ 130 | C6170 - Dk Magenta | 255 | 035 | 117 | 000 | 000 |
| 131 ⇔ 138 | C6020 - Lt Lavender | 127 | 122 | 142 | 251 | 255 |
| 139 ⇔ 146 | C5030 - Lt Blue | 000 | 255 | 197 | 100 | 255 |
| 147 ⇔ 154 | C5020 - V Lt Blue | 158 | 255 | 189 | 000 | 255 |
| 155 ⇔ 162 | C5430 - Lt Blue 2 | 000 | 255 | 180 | 000 | 243 |
| 163 ⇔ 170 | C5070 - Blue | 043 | 255 | 210 | 043 | 036 |
| 171 ⇔ 178 | C5050 - Md Blue | 000 | 255 | 218 | 000 | 181 |
| 179 ⇔ 186 | C5060 - Dk Blue | 000 | 210 | 206 | 000 | 118 |
| 187 ⇔ 194 | C5690 - Indigo | 065 | 000 | 210 | 040 | 055 |
| 195 ⇔ 202 | C5080 - V Dk Blue | 000 | 203 | 230 | 000 | 040 |
| 203 ⇔ 210 | C5081 - V Dk Blue 2 | 040 | 199 | 240 | 000 | 045 |
| 211 ⇔ 218 | C4370 - Yel Green | 027 | 255 | 028 | 016 | 104 |
| 219 ⇔ 226 | C4070 - Green | 049 | 255 | 055 | 120 | 090 |
| 227 ⇔ 234 | C4550 - Turquoise | 060 | 230 | 109 | 000 | 245 |
| 235 ⇔ 242 | C4560 - Aqua | 020 | 240 | 126 | 036 | 255 |
| 243 ⇔ 250 | C4570 - Blue Green | 000 | 255 | 079 | 030 | 053 |
| 251 ⇔ 255 | -- | 000 | 000 | 000 | 000 | 000 |



Hinweis: Die oben genannten Farben sind simulierte Ähnlichkeiten der Farbausgabe im Vergleich zu anderen, ähnlich weißglühenden Produkten. Chauvet gibt keine Gewährleistung bezüglich der Genauigkeit der Farbausgabe.

Farbtemperatur-Tabelle

| DMX-Kanal-Wert | Anzeige auf Display | Roter Wert | Grüner Wert | Blauer Wert | Bernsteinfarbener Wert | Neongrüner Wert |
|----------------|---------------------|------------|-------------|-------------|------------------------|-----------------|
| 000 ⇄ 005 | -- | 000 | 000 | 000 | 000 | 000 |
| 006 ⇄ 025 | 2800K | 255 | 199 | 107 | 253 | 255 |
| 026 ⇄ 050 | 3200K | 253 | 247 | 129 | 255 | 255 |
| 051 ⇄ 075 | 3500K | 234 | 255 | 141 | 253 | 255 |
| 076 ⇄ 100 | 4000K | 204 | 255 | 156 | 243 | 255 |
| 101 ⇄ 125 | 4500K | 181 | 248 | 166 | 224 | 255 |
| 126 ⇄ 150 | 5000K | 160 | 255 | 180 | 241 | 255 |
| 151 ⇄ 175 | 5600K | 138 | 255 | 191 | 241 | 255 |
| 176 ⇄ 200 | 6000K | 147 | 255 | 193 | 203 | 255 |
| 201 ⇄ 225 | 6500K | 142 | 251 | 197 | 187 | 255 |
| 226 ⇄ 255 | -- | 000 | 000 | 000 | 000 | 000 |



Hinweis: Die oben genannten Farbtemperaturen sind simulierte Ähnlichkeiten der Farbausgabe im Vergleich zu einer Wolframlampe mit spezifizierter Farbtemperatur. Chauvet gibt keine Gewährleistung bezüglich der Genauigkeit der Farbausgabe.

Menüstruktur

| Hauptebene | Programmirebenen | | Beschreibung | |
|----------------------------|----------------------------|-------------------------------|------------------------------------------------------------------------------------------------------------------------------------------------|-----------------------------------------------------------------------------------------------------------------------------------------------------|
| DMX Address | 001–509* | | Wählt die DMX-Adresse aus (der höchste Kanal ist auf die gewählte Eigenschaft beschränkt) | |
| DMX Channel | 4 Ch | | 4-Kanal: Dimmer, VCW, Farbtemperatur, gobo rotator | |
| | 6 Ch | | 6-Kanal: RGBAL, gobo rotator | |
| | 8 Ch | | 8-Kanal: Dimmer, RGBAL, Stroboskopeffekt, gobo rotator | |
| | 11 Ch | | 11-Kanal: 16-Bit-Dimmer, RGBAL, Stroboskopeffekt, VCW, Farbtemperatur, gobo rotator | |
| | 13 Ch | | 13-Kanal: Dimmer, RGBAL, Stroboskopeffekt, VCW, Farbtemperatur, Auto-Show, Auto-Geschwindigkeit, Dimmungs-Geschwindigkeits-Modus, gobo rotator | |
| | 14 Ch | | 14-Kanal: 16-Bit-Dimmer, 16-Bit-RGBW, Stroboskopeffekt, gobo rotator | |
| | 16 Ch | | 16-Kanal: 16-Bit-Dimmer, 16-Bit-RGBAL, Stroboskopeffekt, VCW, Farbtemperatur, gobo rotator | |
| Virtual Color Wheel | Virtual Color Wheel | HSV | | 4-Kanal: Farbton, Farbsättigung, Farbwert, gobo rotator |
| | | C3050-Md Yellow | | Das Virtuelle Farbrad simuliert die Ausgabe jeder Gel-Farbe. Für spezifische Werte, siehe den Abschnitt Tabelle: Virtuelles Farbrad |
| | | C3040-Lt Yellow | | |
| | | C3240-Amb Yellow | | |
| | | C2340-VLt Amber | | |
| | | C2040-Lt Amber | | |
| | | C2050-Md Amber | | |
| | | C2060-Dk Amber | | |
| | | C1050-Lt Red | | |
| | | C1080-Md Red | | |
| | | C1020-NC Pink | | |
| | | C1030-Md Pink | | |
| | | C1630-Dk Pink | | |
| | | C1250-Md Red Amber | | |
| | | C1060-Dk Red Amber | | |
| | | C1650-Magenta | | |
| | | C6170-Dk Magenta | | |
| C6020-Lt Lavender | | | | |
| | | Dimmer <000–255> | | |

| Hauptebene | Programmirebenen | | Beschreibung | |
|---------------------|---------------------|--------------------------------------------------|----------------------------------------------------------------------|---------------------------------------------------------|
| Virtual Color Wheel | Virtual Color Wheel | C5030-Lt Blue | Dimmer <000–255> | |
| | | C5020-VLt Blue | | |
| | | C5430-Lt Blue2 | | |
| | | C5070-Blue | | |
| | | C5050-Md Blue | | |
| | | C5060-Dk Blue | | |
| | | C5690- Indigo | | |
| | | C5080-VDk Blue | | |
| | | C5081-VDk Blue2 | | |
| | | C4370-Yel Green | | |
| | | C4070-Green | | |
| | | C4550-Turquoise | | |
| | | C4560-Aqua | | |
| | | C4570-Blue Green | | |
| | Color Temperature | 2800K | | |
| 3200K | | | | |
| 3500K | | | | |
| 4000K | | | | |
| 4500K | | | | |
| 5000K | | | | |
| 5600K | | | | |
| 6000K | | | | |
| 6500K | | | | |
| Manual Color Mixer | Red | | | |
| | Green | | | |
| | Blue | | | |
| | Amber | | | |
| | Lime | | | |
| Auto Show | Auto 1–5 | <001–100> | Wählt das Auto-Programm und die Programm-Geschwindigkeit aus | |
| Gobo Rotator | 0–255 | | Index/Geschwindigkeit der Gobo-Rotation | |
| Master/ Slave | Master | | DMX-Modus (Master) | |
| | Slave | | Slave-Modus | |
| Dimmer Mode | Off | | Linearer Dimmer | |
| | Dimmer 1–3 | | Dimmungskurven Dimmer 1 (schnell) nach Dimmer 3 (langsam) | |
| White Balance | Off | | Verwendet die werksseitig voreingestellte Standardeinstellung "Weiß" | |
| | Manual | Red | <000–255> | Stellt den maximalen Wert der roten LED ein |
| | | Green | | Stellt den maximalen Wert der grünen LED ein |
| | | Blue | | Stellt den maximalen Wert der blauen LED ein |
| | | Amber | | Stellt den maximalen Wert der bernsteinfarbenen LED ein |
| Lime | | Stellt den maximalen Wert der neongrünen LED ein | | |
| LED Frequency | 600Hz | | Stellt die PWM-Frequenz ein | |
| | 1200Hz | | | |
| | 2000Hz | | | |
| | 4000Hz | | | |
| | 6000Hz | | | |
| | 25KHz | | | |
| Fan Mode | Auto | | Stellt den Lüfter auf den Auto-Modus ein | |
| | On | | Stellt den Lüfter auf den "immer eingeschaltet"-Modus ein | |
| | Off | | Setzt den Lüfter auf immer aus | |
| | Silent | | Stellt den Lüfter auf lautlos | |

| Hauptebene | Programmirebenen | | Beschreibung |
|---------------|------------------|-----------------------|----------------------------------------------------------------------------------------------|
| Back Light | On | | Hintergrundbeleuchtung immer an |
| | 10S | | Damit wird die Hintergrundbeleuchtung der Anzeige nach 10 Sekunden Inaktivität ausgeschaltet |
| | 20S | | Damit wird die Hintergrundbeleuchtung der Anzeige nach 20 Sekunden Inaktivität ausgeschaltet |
| | 30S | | Damit wird die Hintergrundbeleuchtung der Anzeige nach 30 Sekunden Inaktivität ausgeschaltet |
| Key Lock | On | | Schaltet den Sicherheitscode ein oder aus |
| | Off | | |
| Gobo Power | On | | Damit aktivieren oder deaktivieren Sie den Gobo-Leistungsausgang |
| | Off | | |
| Information | Fixture Hours | <_ _ _ _ H> | Zeigt an, wie lange das Gerät eingeschaltet gewesen ist |
| | Version | <V_ _> | Zeigt die aktuelle Firmware-Version an |
| | UID | <_ _ _ _ _ _ _ _ _ _> | Zeigt die Geräte-UID an |
| Reset Factory | No | | Damit stellen Sie das Gerät auf die Werkseinstellungen zurück |
| | Yes | | |

DMX-Werte

16 Ch

| Kanal | Funktion | Wert | Prozent/Einstellung |
|-------|-----------------------|--------------------------------------------------|-------------------------------------------------------------------------------------------------------------------------|
| 1 | Dimmer | 000 ⇔ 255 | 0–100% |
| 2 | Dimmer, fein | 000 ⇔ 255 | 0–100% |
| 3 | Rot | 000 ⇔ 255 | 0–100% |
| 4 | Rot, fein | 000 ⇔ 255 | 0–100% |
| 5 | Grün | 000 ⇔ 255 | 0–100% |
| 6 | Grün, fein | 000 ⇔ 255 | 0–100% |
| 7 | Blau | 000 ⇔ 255 | 0–100% |
| 8 | Blau, fein | 000 ⇔ 255 | 0–100% |
| 9 | Bernsteinfarben | 000 ⇔ 255 | 0–100% |
| 10 | Bernsteinfarben, fein | 000 ⇔ 255 | 0–100% |
| 11 | Neongrün | 000 ⇔ 255 | 0–100% |
| 12 | Neongrün, fein | 000 ⇔ 255 | 0–100% |
| 13 | Stroboskop | 000 ⇔ 010 011 ⇔ 255 | Keine Funktion Blitzfrequenz (von langsam nach schnell) |
| 14 | Virtuelles Farbrad | 000 ⇔ 255 | Siehe Tabelle: Virtuelles Farbrad |
| 15 | Farbtemperatur | 000 ⇔ 255 | Siehe Farbtemperatur-Tabelle |
| 16 | Gobo Rotator | 000 ⇔ 127 128 ⇔ 190 191 ⇔ 192 193 ⇔ 255 | Index Im Uhrzeigersinn, von schnell nach langsam Anhalten Entgegen dem Uhrzeigersinn, von langsam nach schnell |

14 Ch

| Kanal | Funktion | Wert | Prozent/Einstellung |
|-------|-----------------------|-----------|---------------------|
| 1 | Dimmer | 000 ⇔ 255 | 0–100% |
| 2 | Dimmer, fein | 000 ⇔ 255 | 0–100% |
| 3 | Rot | 000 ⇔ 255 | 0–100% |
| 4 | Rot, fein | 000 ⇔ 255 | 0–100% |
| 5 | Grün | 000 ⇔ 255 | 0–100% |
| 6 | Grün, fein | 000 ⇔ 255 | 0–100% |
| 7 | Blau | 000 ⇔ 255 | 0–100% |
| 8 | Blau, fein | 000 ⇔ 255 | 0–100% |
| 9 | Bernsteinfarben | 000 ⇔ 255 | 0–100% |
| 10 | Bernsteinfarben, fein | 000 ⇔ 255 | 0–100% |

| Kanal | Funktion | Wert | Prozent/Einstellung |
|-------|----------------|--------------------------------------------------|-------------------------------------------------------------------------------------------------------------------------|
| 11 | Neongrün | 000 ⇔ 255 | 0–100% |
| 12 | Neongrün, fein | 000 ⇔ 255 | 0–100% |
| 13 | Stroboskop | 000 ⇔ 010 011 ⇔ 255 | Keine Funktion Blitzfrequenz (von langsam nach schnell) |
| 14 | Gobo Rotator | 000 ⇔ 127 128 ⇔ 190 191 ⇔ 192 193 ⇔ 255 | Index Im Uhrzeigersinn, von schnell nach langsam Anhalten Entgegen dem Uhrzeigersinn, von langsam nach schnell |

13 Ch

| Kanal | Funktion | Wert | Prozent/Einstellung |
|-------|------------------------------------|----------------------------------------------------------------------------|----------------------------------------------------------------------------------------------------------------------------------------------------------------------|
| 1 | Dimmer | 000 ⇔ 255 | 0–100% |
| 2 | Rot | 000 ⇔ 255 | 0–100% |
| 3 | Grün | 000 ⇔ 255 | 0–100% |
| 4 | Blau | 000 ⇔ 255 | 0–100% |
| 5 | Bernsteinfarben | 000 ⇔ 255 | 0–100% |
| 6 | Neongrün | 000 ⇔ 255 | 0–100% |
| 7 | Stroboskop | 000 ⇔ 010 011 ⇔ 255 | Keine Funktion Blitzfrequenz (von langsam nach schnell) |
| 8 | Virtuelles Farbrad | 000 ⇔ 255 | Siehe Tabelle: Virtuelles Farbrad |
| 9 | Farbtemperatur | 000 ⇔ 255 | Siehe Farbtemperatur-Tabelle |
| 10 | Auto-Programme | 000 ⇔ 010 011 ⇔ 060 061 ⇔ 110 111 ⇔ 160 161 ⇔ 210 211 ⇔ 255 | Keine Funktion Auto-Programm 1 Auto-Programm 2 Auto-Programm 3 Auto-Programm 4 Auto-Programm 5 |
| 11 | Geschwindigkeit des Auto-Programms | 000 ⇔ 255 | Auto-Geschwindigkeit (von langsam nach schnell) |
| 12 | Dimmungs-Geschwindigkeits-Modus | 000 ⇔ 051 052 ⇔ 101 102 ⇔ 152 153 ⇔ 203 204 ⇔ 255 | Keine Funktion Dimmungs-Geschwindigkeits-Modus aus Dimmungs-Geschwindigkeits-Modus 1 Dimmungs-Geschwindigkeits-Modus 2 Dimmungs-Geschwindigkeits-Modus 3 |
| 13 | Gobo Rotator | 000 ⇔ 127 128 ⇔ 190 191 ⇔ 192 193 ⇔ 255 | Index Im Uhrzeigersinn, von schnell nach langsam Anhalten Entgegen dem Uhrzeigersinn, von langsam nach schnell |

11 Ch

| Kanal | Funktion | Wert | Prozent/Einstellung |
|-------|--------------------|------------------------|------------------------------------------------------------|
| 1 | Dimmer | 000 ⇔ 255 | 0–100% |
| 2 | Dimmer, fein | 000 ⇔ 255 | 0–100% |
| 3 | Rot | 000 ⇔ 255 | 0–100% |
| 4 | Grün | 000 ⇔ 255 | 0–100% |
| 5 | Blau | 000 ⇔ 255 | 0–100% |
| 6 | Bernsteinfarben | 000 ⇔ 255 | 0–100% |
| 7 | Neongrün | 000 ⇔ 255 | 0–100% |
| 8 | Stroboskop | 000 ⇔ 010 011 ⇔ 255 | Keine Funktion Blitzfrequenz (von langsam nach schnell) |
| 9 | Virtuelles Farbrad | 000 ⇔ 255 | Siehe Tabelle: Virtuelles Farbrad |
| 10 | Farbtemperatur | 000 ⇔ 255 | Siehe Farbtemperatur-Tabelle |

DE

| Kanal | Funktion | Wert | Prozent/Einstellung |
|-------|--------------|--------------------------------------------------|-------------------------------------------------------------------------------------------------------------------------|
| 11 | Gobo Rotator | 000 ⇔ 127 128 ⇔ 190 191 ⇔ 192 193 ⇔ 255 | Index Im Uhrzeigersinn, von schnell nach langsam Anhalten Entgegen dem Uhrzeigersinn, von langsam nach schnell |

8 Ch

| Kanal | Funktion | Wert | Prozent/Einstellung |
|-------|-----------------|--------------------------------------------------|-------------------------------------------------------------------------------------------------------------------------|
| 1 | Dimmer | 000 ⇔ 255 | 0–100% |
| 2 | Rot | 000 ⇔ 255 | 0–100% |
| 3 | Grün | 000 ⇔ 255 | 0–100% |
| 4 | Blau | 000 ⇔ 255 | 0–100% |
| 5 | Bernsteinfarben | 000 ⇔ 255 | 0–100% |
| 6 | Neongrün | 000 ⇔ 255 | 0–100% |
| 7 | Stroboskop | 000 ⇔ 010 011 ⇔ 255 | Keine Funktion Blitzfrequenz (von langsam nach schnell) |
| 8 | Gobo Rotator | 000 ⇔ 127 128 ⇔ 190 191 ⇔ 192 193 ⇔ 255 | Index Im Uhrzeigersinn, von schnell nach langsam Anhalten Entgegen dem Uhrzeigersinn, von langsam nach schnell |

6 Ch

| Kanal | Funktion | Wert | Prozent/Einstellung |
|-------|-----------------|--------------------------------------------------|-------------------------------------------------------------------------------------------------------------------------|
| 1 | Rot | 000 ⇔ 255 | 0–100% |
| 2 | Grün | 000 ⇔ 255 | 0–100% |
| 3 | Blau | 000 ⇔ 255 | 0–100% |
| 4 | Bernsteinfarben | 000 ⇔ 255 | 0–100% |
| 5 | Neongrün | 000 ⇔ 255 | 0–100% |
| 6 | Gobo Rotator | 000 ⇔ 127 128 ⇔ 190 191 ⇔ 192 193 ⇔ 255 | Index Im Uhrzeigersinn, von schnell nach langsam Anhalten Entgegen dem Uhrzeigersinn, von langsam nach schnell |

4 Ch

| Kanal | Funktion | Wert | Prozent/Einstellung |
|-------|--------------------|--------------------------------------------------|-------------------------------------------------------------------------------------------------------------------------|
| 1 | Dimmer | 000 ⇔ 255 | 0–100% |
| 2 | Virtuelles Farbrad | 000 ⇔ 255 | Siehe Tabelle: Virtuelles Farbrad |
| 3 | Farbtemperatur | 000 ⇔ 255 | Siehe Farbtemperatur-Tabelle |
| 4 | Gobo Rotator | 000 ⇔ 127 128 ⇔ 190 191 ⇔ 192 193 ⇔ 255 | Index Im Uhrzeigersinn, von schnell nach langsam Anhalten Entgegen dem Uhrzeigersinn, von langsam nach schnell |

HSV

| Kanal | Funktion | Wert | Prozent/Einstellung |
|-------|--------------|--------------------------------------------------|-------------------------------------------------------------------------------------------------------------------------|
| 1 | Schattierung | 000 ⇔ 255 | 0–100% |
| 2 | Sättigung | 000 ⇔ 255 | 0–100% |
| 3 | Wert | 000 ⇔ 255 | 0–100% |
| 4 | Gobo Rotator | 000 ⇔ 127 128 ⇔ 190 191 ⇔ 192 193 ⇔ 255 | Index Im Uhrzeigersinn, von schnell nach langsam Anhalten Entgegen dem Uhrzeigersinn, von langsam nach schnell |

Over deze handleiding

De Ovation E-910FC IP Beknopte Handleiding (BH) bevat basisinformatie over het product, zoals aansluiting, montage, menu-opties en DMX-waarden. Download de gebruikershandleiding op www.chauvetprofessional.com voor meer informatie.

Disclaimer

De informatie en specificaties in deze BH kunnen zonder voorafgaande kennisgeving worden gewijzigd.

BEPERKTE GARANTIE

GA NAAR ONZE WEBSITE VOOR REGISTRATIE VAN DE GARANTIE EN DE VOLLEDIGE ALGEMENE VOORWAARDEN.

Voor klanten in de Verenigde Staten en Mexico: www.chauvetlighting.com/warranty-registration.

Voor klanten in het Verenigd Koninkrijk, Ierland, België, Nederland, Luxemburg, Frankrijk en Duitsland: www.chauvetlighting.eu/warranty-registration/.

Chauvet garandeert dat dit product bij normaal gebruik vrij zal blijven van defecten in materiaal en vakmanschap, voor de opgegeven periode en onder voorbehoud van de uitzonderingen en beperkingen die zijn uiteengezet in de volledige beperkte garantie op onze website. Deze garantie geldt uitsluitend voor de oorspronkelijke koper van het product en is niet overdraagbaar. Om onder deze garantie rechten uit te oefenen, moet u een aankoopbewijs overleggen in de vorm van een origineel verkoopbewijs van een geautoriseerde dealer, waarop de naam van het product en de aankoopdatum zichtbaar zijn. ER ZIJN GEEN ANDERE EXPLICIETE OF IMPLICIETE GARANTIES. Deze garantie geeft u specifieke wettelijke rechten. Mogelijk heeft u ook andere rechten die van staat tot staat en van land tot land verschillen. Deze garantie is uitsluitend geldig in de Verenigde Staten, het Verenigd Koninkrijk, Ierland, België, Nederland, Luxemburg, Frankrijk, Duitsland en Mexico. Neem contact op met uw lokale verkoper voor garantievoorwaarden in andere landen.

Veiligheidsinstructies

- Open het product NIET. Het bevat geen te onderhouden onderdelen.
- Om onnodige slijtage te elimineren en zijn levensduur te verlengen, gedurende perioden wanneer het product niet wordt gebruikt, moet u het product van de stroom afsluiten door een aardlekschakelaar om te zetten of door het te ontkoppelen.
- KIJK NIET in de lichtbron wanneer het apparaat is ingeschakeld.
- LET OP: De behuizing van dit product kan heet zijn wanneer het in bedrijf is.
- Monteer dit product op een plek met voldoende ventilatie, ten minste 50 cm van de aangrenzende oppervlakken.
- Plaats geen ontvlambaar materiaal binnen 50 cm van dit product als het in gebruik is of is aangesloten op het stopcontact.
- LET OP: Bij het verplaatsen van het product uit extreme omgevingen, (bijv. koude vrachtwagen naar warme, vochtige balzaal) kan er condensvorming optreden op de elektronica van het product. Om storingen te vermijden moet het product volledig kunnen acclimatiseren aan de omgeving voordat het op stroom wordt aangesloten.
- Niet voor permanente buiteninstallatie in locaties met extreme weersomstandigheden. Dit is met inbegrip van, maar niet beperkt tot:
 - Blootstelling aan een marien/zout milieu (binnen 5 km van zout water).
 - Waar de gebruikelijke hoge of lage temperaturen van de locatie de temperatuurbereiken in deze handleiding overschrijden.
 - Locaties die kunnen overstromen of onder sneeuw begraven kunnen worden.
 - Andere gebieden waar het product blootstaat aan extreme straling of bijtende substanties.
- GEBRUIK een veiligheidskabel bij het boven het hoofd plaatsen van dit product.
- Dit product NIET onderdompelen (IP65). Regelmatig gebruik buitenshuis is prima.
- Gebruik dit product NIET als de behuizing, lenzen of kabels beschadigd lijken.
- Sluit dit product NIET aan op een dimmer of een regelweerstand.
- Sluit dit product UITSLUITEND op een geaard en beveiligd stroomcircuit.
- Gebruik UITSLUITEND de ophang-/montagebeugel om dit product te dragen.
- Stop in het geval van ernstige operationele problemen onmiddellijk met het gebruik.
- De maximale omgevingstemperatuur bedraagt 45 °C. Gebruik dit product niet bij hogere temperaturen.

FCC-naleving

Dit apparaat voldoet aan Part 15 Part B van de FCC-regels. Het gebruik is onderworpen aan de volgende twee voorwaarden:

1. Dit apparaat mag geen schadelijke interferentie veroorzaken, en
2. Dit apparaat moet enige ontvangen interferentie accepteren, inclusief interferentie die een ongewenste werking kan veroorzaken.

Eventuele wijzigingen of aanpassingen die niet uitdrukkelijk door de voor naleving verantwoordelijke partij zijn goedgekeurd, kan de bevoegdheid van de gebruiker om de apparatuur te bedienen ongeldig verklaren.

Contact

Van buiten de VS, Verenigd Koninkrijk, Ierland, Benelux, Frankrijk, Duitsland of Mexico kunt u contact opnemen met de distributeur of om ondersteuning vragen dan wel het product retourneren. Ga naar [Contact Us](#) voor contactinformatie.

Wat is inbegrepen

- Ovation E-910FC IP
- Seetronic Powerkon IP65 stroomsnoer
- Beknopte handleiding

AC-stroom

Dit product heeft een voeding met automatisch bereik die werkt met een ingangsspanning van 100–240 VAC, 50/60 Hz.

Power Linking

U kunt tot 7 Ovation E-910FC IP-producten koppelen bij 120 V, 11 producten bij 230 V, 12 producten bij 230 V. Dit aantal niet overschrijden. Power Linking-snoeren kunnen apart aangeschaft worden.

AC-stekker

| Aansluiting | Snoer (VS) | Snoer (Europa) | Schroefkleur |
|-------------|------------|----------------|--------------|
| AC Live | Zwart | Bruin | Geel/messing |
| AC Neutraal | Wit | Blauw | Zilver |
| AC Aarde | Groen/geel | Groen/geel | Groen |



- **Om onnodige slijtage te elimineren en zijn levensduur te verlengen, gedurende perioden wanneer het product niet wordt gebruikt, moet u het product van de stroom afsluiten door een aardlekschakelaar om te zetten of door het te ontkoppelen.**
- **Wanneer dit product buiten wordt gebruikt moeten stroom- en gegevenskabels met een IP65-certificering (of hoger) worden gebruikt. Zorg ervoor dat ongebruikte stroom- en gegevenspoorten worden afgesloten met de aangehechte IP65-afdekkingen.**

DMX-koppeling

De Ovation E-910FC IP kan met een DMX-controller werken met een normale DMX seriële verbinding. Op www.chauvetprofessional.com is een DMX basishandleiding verkrijgbaar.

DMX-aansluiting

De Ovation E-910FC IP gebruikt een normale DMX-gegevensverbinding voor zijn DMX-persoonlijkheden: **4 Ch, 6 Ch, 8 Ch, 11 Ch, 13 Ch, 14 Ch, 16 Ch**, en **HSV**. Zie de gebruikershandleiding om te verbinden en te configureren voor DMX-werking.



- **Wanneer dit product buiten wordt gebruikt in een omgeving die die een IP65-certificering vereist, moet er ook worden gezorgd dat er gegevenskabels met IP65-certificering of hoger worden gebruikt en moeten de ongebruikte poorten worden afgedekt met de vastgehechte IP65-afdekkingen.**

Master/slave-verbinding

De Ovation E-910FC IP maakt gebruik van de DMX-dataverbinding voor haar Master-/Slave-modus. Zie de gebruikershandleiding om te verbinden en te configureren voor Master/Slave-werking.

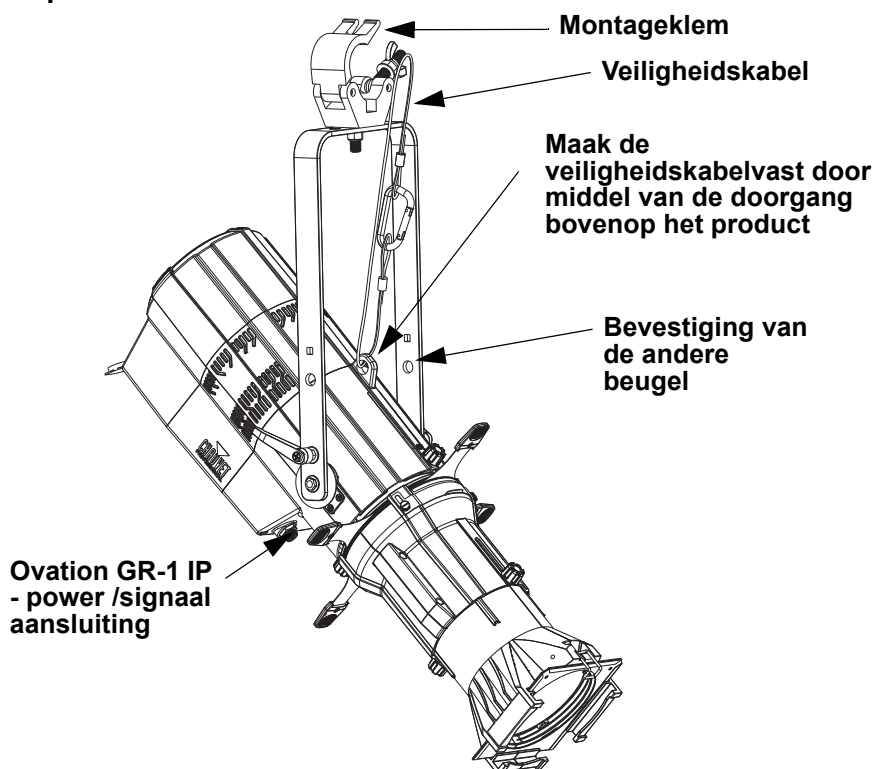
RDM (apparaatbeheer op afstand)

Remote Device Management of RDM (apparaatbeheer op afstand) is een standaard die het voor DMX-apparaten mogelijk maakt om in twee richtingen te communiceren over bestaande DMX-kabels. De Ovation E-910FC IP ondersteunt het RDM-protocol dat zorgt feedback toelaat bij de bewaking van wijzigingen aan de menu map-opties van. Download de gebruikershandleiding op www.chauvetprofessional.com voor meer informatie.

Montage

Lees alvorens dit product te monteren alle [Veiligheidsinstructies](#). Controleer of de montageklem het gewicht van het product kan dragen. Ga voor onze Chauvet-serie montageklemmen naar <http://trusst.com/productcategory/truss-clamps/>.

Montagediagram van het product



Montage boven het

Beschrijving bedienings paneel

| Toets | Functie |
|---------|------------------------------------------------------------------------------------------------------------|
| <MENU> | Sluit het huidige menu of functie af |
| <ENTER> | Activeert het huidige getoonde menu of plaatst de huidige geselecteerde waarde in de geselecteerde functie |
| <UP> | Navigeert omhoog via het menu of verhoogt de numerieke waarde wanneer in een functie |
| <DOWN> | Navigeert omlaag via het menu of verlaagt de numerieke waarde wanneer in een functie |

Toegangscodes

Vul na dat gevraagd te worden de volgende toegangscode in door te drukken op:

<UP>, <DOWN>, <UP>, <DOWN>, <ENTER>

Dit toegangscode kan niet gewijzigd worden en moet indien gevraagd ingevuld worden.

Lensbuizen

De volgende lensbuizen zijn aan te schaffen:

- 19°, 26°, 36°, en 50° met gelframe (159 mm accessoires)
- 14°, 15°-30° en 25°-50° Zoom gelframe (191 mm accessoires)

Virtueel kleurenwiel

De Ovation E-910FC IP bevat een functie, genaamd het virtuele kleurenwiel (Virtual Color Wheel, VCW). Deze functie is beschikbaar als een losstaande bedieningsmodus voor handmatig gebruik en ook als een bedieningskanaal in de geselecteerde DMX-persoonlijkheden van de producten. Voor eenvoudiger programmering zijn er meer dan 30 voorgemengde kleuren beschikbaar die speciaal door onze technici zijn samengesteld.

De DMX-waarden die worden gebruikt voor het mengen van deze kleuren staan hieronder vermeld. U kunt de algehele intensiteit van het Ovation-armatuur aanpassen om de kleuren waarmee u bekend bent beter na te bootsen. Op onze website www.chauvetprofessional.com is een tabel beschikbaar om onze voorgemengde kleuren te vergelijken met populaire gelkleuren. Deze grafiek is uitsluitend bedoeld voor vergelijkingsdoeleinden en vormt geen garantie dat onze voorgemengde kleuren overeenkomen met de vermelde gelkleuren.

Kleurenkaart

| DMX-kanaalwaarde | Weergave op het display | Rode waarde | Groene waarde | Blauwe waarde | Gele waarde | Lime waarde |
|------------------|-----------------------------|-------------|---------------|---------------|-------------|-------------|
| 000 ⇔ 005 | -- | 000 | 000 | 000 | 000 | 000 |
| 006 ⇔ 013 | C3050 - Md Yellow | 233 | 163 | 020 | 123 | 255 |
| 014 ⇔ 021 | C3040 - Lt Yellow | 224 | 158 | 047 | 255 | 231 |
| 022 ⇔ 028 | C3240 - Amb Yellow | 180 | 060 | 000 | 245 | 255 |
| 029 ⇔ 035 | C2340 - VLt Amber | 245 | 107 | 081 | 255 | 213 |
| 036 ⇔ 043 | C2040 - Lt Amber | 230 | 130 | 062 | 255 | 155 |
| 044 ⇔ 051 | C2050 - Md Amber | 255 | 000 | 025 | 255 | 194 |
| 052 ⇔ 059 | C2060 - Dk Amber | 255 | 000 | 024 | 255 | 150 |
| 060 ⇔ 067 | C1050 - Lt Red | 255 | 037 | 027 | 030 | 038 |
| 068 ⇔ 075 | C1080 - Md Red | 255 | 004 | 017 | 000 | 000 |
| 076 ⇔ 083 | C1020 - NC Pink | 238 | 135 | 129 | 255 | 255 |
| 084 ⇔ 091 | C1030 - Md Pink | 255 | 131 | 120 | 255 | 195 |
| 092 ⇔ 099 | C1630 - Dk Pink | 255 | 165 | 123 | 255 | 210 |
| 100 ⇔ 107 | C1250 - Md Red Amber | 255 | 000 | 041 | 195 | 055 |
| 108 ⇔ 115 | C1060 - Dk Red Amber | 255 | 000 | 045 | 120 | 030 |
| 116 ⇔ 121 | C1650 - Magenta | 255 | 050 | 115 | 255 | 115 |
| 122 ⇔ 130 | C6170 - Dk Magenta | 255 | 035 | 117 | 000 | 000 |
| 131 ⇔ 138 | C6020 - Lt Lavender | 127 | 122 | 142 | 251 | 255 |
| 139 ⇔ 146 | C5030 - Lt Blue | 000 | 255 | 197 | 100 | 255 |
| 147 ⇔ 154 | C5020 - VLt Blue | 158 | 255 | 189 | 000 | 255 |
| 155 ⇔ 162 | C5430 - Lt Blue 2 | 000 | 255 | 180 | 000 | 243 |
| 163 ⇔ 170 | C5070 - Blue | 043 | 255 | 210 | 043 | 036 |
| 171 ⇔ 178 | C5050 - Md Blue | 000 | 255 | 218 | 000 | 181 |
| 179 ⇔ 186 | C5060 - Dk Blue | 000 | 210 | 206 | 000 | 118 |
| 187 ⇔ 194 | C5690 - Indigo | 065 | 000 | 210 | 040 | 055 |
| 195 ⇔ 202 | C5080 - Vdk Blue | 000 | 203 | 230 | 000 | 040 |
| 203 ⇔ 210 | C5081 - Vdk Blue2 | 040 | 199 | 240 | 000 | 045 |
| 211 ⇔ 218 | C4370 - Yel Green | 027 | 255 | 028 | 016 | 104 |
| 219 ⇔ 226 | C4070 - Green | 049 | 255 | 055 | 120 | 090 |
| 227 ⇔ 234 | C4550 - Turquoise | 060 | 230 | 109 | 000 | 245 |
| 235 ⇔ 242 | C4560 - Aqua | 020 | 240 | 126 | 036 | 255 |
| 243 ⇔ 250 | C4570 - Blue Green | 000 | 255 | 079 | 030 | 053 |
| 251 ⇔ 255 | -- | 000 | 000 | 000 | 000 | 000 |



Let op: De kleuren hierboven zijn gesimuleerde waargaven van de kleurenitvoer die zijn geproduceerd, in vergelijking met de andere gelijksoortige lichtproducten. Chauvet geeft geen garantie over de nauwkeurigheid van de kleuropbrengst.

Kleurtemperatuur-kaart

| DMX-kanaalwaarde | Weergave op het display | Rode waarde | Groene waarde | Blauwe waarde | Gele waarde | Lime waarde |
|------------------|-------------------------|-------------|---------------|---------------|-------------|-------------|
| 000 ⇔ 005 | -- | 000 | 000 | 000 | 000 | 000 |
| 006 ⇔ 025 | 2800K | 255 | 199 | 107 | 253 | 255 |
| 026 ⇔ 050 | 3200K | 253 | 247 | 129 | 255 | 255 |
| 051 ⇔ 075 | 3500K | 234 | 255 | 141 | 253 | 255 |
| 076 ⇔ 100 | 4000K | 204 | 255 | 156 | 243 | 255 |
| 101 ⇔ 125 | 4500K | 181 | 248 | 166 | 224 | 255 |
| 126 ⇔ 150 | 5000K | 160 | 255 | 180 | 241 | 255 |
| 151 ⇔ 175 | 5600K | 138 | 255 | 191 | 241 | 255 |
| 176 ⇔ 200 | 6000K | 147 | 255 | 193 | 203 | 255 |
| 201 ⇔ 225 | 6500K | 142 | 251 | 197 | 187 | 255 |
| 226 ⇔ 255 | -- | 000 | 000 | 000 | 000 | 000 |



Let op: De bovenstaande kleurtemperaturen zijn gesimuleerde weergaven van de geproduceerde kleuropbrengst, in vergelijking met een wolfram-lamp bij de opgegeven kleurtemperatuur. Chauvet geeft geen garantie over de nauwkeurigheid van de kleuropbrengst.

Menupap

| Hoofdniveau | Programmeerniveaus | | Beschrijving | |
|----------------------------|----------------------------|---------------------------|--------------------------------------------------------------------------------------------------------------------------|---------------------------------------------------------------------------------------------------------------------------------------------|
| DMX Address | 001–509* | | Selecteert het start-adres (hoogste kanaal beperkt tot de gekozen persoonlijkheid) | |
| DMX Channel | 4 Ch | | 4-kanaal: dimmer, VCW, kleurtemperatuur, gobo roterend | |
| | 6 Ch | | 6-kanaal: RGBAL, gobo roterend | |
| | 8 Ch | | 8-kanaal: dimmer, RGBAL, stroboscoop, gobo roterend | |
| | 11 Ch | | 11-kanaal: 16-bit dimmer, RGBAL, stroboscoop, VCW, kleurtemperatuur, gobo roterend | |
| | 13 Ch | | 13-kanaal: dimmer, RGBAL, stroboscoop, VCW, kleurtemperatuur, programma's, snelheid, dimmersnelheidsmodus, gobo roterend | |
| | 14 Ch | | 14-kanaal: 16-bit dimmer, 16-bit RGBAL, stroboscoop, gobo roterend | |
| | 16 Ch | | 16-kanaal: 16-bit dimmer, 16-bit RGBAL, stroboscoop, VCW, kleurtemperatuur, gobo roterend | |
| Virtual Color Wheel | Virtual Color Wheel | HSV | 4-kanaal: tint, verzadiging, waarde, gobo roterend | |
| | | C3050-Md Yellow | Dimmer <000–255> | Het virtuele kleurenwiel simuleert de opbrengst van elke gelkleur. Raadpleeg de sectie Kleurenkaart voor specifieke waarden |
| | | C3040-Lt Yellow | | |
| | | C3240-Amb Yellow | | |
| | | C2340-VLt Amber | | |
| | | C2040-Lt Amber | | |
| | | C2050-Md Amber | | |
| | | C2060-Dk Amber | | |
| | | C1050-Lt Red | | |
| | | C1080-Md Red | | |
| | | C1020-NC Pink | | |
| | | C1030-Md Pink | | |
| | | C1630-Dk Pink | | |
| | | C1250-Md Red Amber | | |
| | | C1060-Dk Red Amber | | |
| | | C1650-Magenta | | |
| | | C6170-Dk Magenta | | |
| | | C6020-Lt Lavender | | |
| | | C5030-Lt Blue | | |
| C5020-VLt Blue | | | | |
| C5430-Lt Blue2 | | | | |
| C5070-Blue | | | | |

| Hoofdniveau | Programmeerniveaus | | | Beschrijving |
|---------------------|--------------------------------------------|------------------|--------------------------------------------------------------------------------------------|---------------------------------------------------------------------------------------------------------------------------------------------------------------------------------------|
| Virtual Color Wheel | Virtual Color Wheel | C5050-Md Blue | Dimmer <000-255> | Het virtuele kleurenwiel simuleert de opbrengst van elke gelkleur. Raadpleeg de sectie Kleurenkaart voor specifieke waarden |
| | | C5060-Dk Blue | | |
| | | C5690- Indigo | | |
| | | C5080-VDk Blue | | |
| | | C5081-VDk Blue2 | | |
| | | C4370-Yel Green | | |
| | | C4070-Green | | |
| | | C4550-Turquoise | | |
| | | C4560-Aqua | | |
| | | C4570-Blue Green | | |
| | Color Temperature | 2800K | <000-255> | Voorinstelde witte kleurtemperaturen. Emuleert een wolfram-lamp bij de opgegeven kleurtemperatuur. Raadpleeg de sectie Kleurtemperatuur-kaart voor specifieke waarden |
| | | 3200K | | |
| | | 3500K | | |
| | | 4000K | | |
| | | 4500K | | |
| Manual Color Mixer | Red | <000-255> | Combineert rood, groen, blauw, amber en lime om een aangepaste kleur te genereren (0-100%) | |
| | Green | | | |
| | Blue | | | |
| | Amber | | | |
| | Lime | | | |
| Auto Show | Auto 1-5 | <001-100> | Selecteert automatische programma's en automatische programmasnelheid | |
| Gobo Rotator | 0-255 | | Roterende gobo index | |
| Master/ Slave | Master | | DMX-modus (Master) | |
| | Slave | | Slave-modus | |
| Dimmer Mode | Off | | Lineaire dimmer | |
| | Dimmer 1-3 | | Selecteert dimprofielen van snel (Dimmer 1) tot langzaam (Dimmer 3) | |
| White Balance | Off | | Gebruikt standaard witte instelling | |
| | Manual | Red | <125-255> | Stelt de maximum waarde van de rode LED in |
| | | Green | | Stelt de maximum waarde van de groene LED in |
| | | Blue | | Stelt de maximum waarde van de blauwe LED in |
| | | Amber | | Stelt de maximum waarde van de amber LED in |
| Lime | Stelt de maximum waarde van de lime LED in | | | |
| LED Frequency | 600Hz | | Selecteert de PWM-uitgangsfrequentie | |
| | 1200Hz | | | |
| | 2000Hz | | | |
| | 4000Hz | | | |
| | 6000Hz | | | |
| Fan Mode | 25KHz | | Ingesteld de ventilator automatische modus | |
| | Auto | | | Ingesteld de ventilator altijd aan modus |
| | On | | | Ingesteld de ventilator altijd uit |
| | Off | | | Ingesteld de ventilator altijd uit |
| Back Light | Silent | | Ingesteld de ventilator stil | |
| | On | | De backlight van de display is altijd aan | |
| | 10S | | Schakelt de backlight van de display uit na 10s van inactiviteit | |
| | 20S | | Schakelt de backlight van de display uit na 20s van inactiviteit | |
| | 30S | | Schakelt de backlight van de display uit na 30s van inactiviteit | |

| Hoofdniveau | Programmeerniveaus | Beschrijving |
|---------------|--------------------|------------------------------------------|
| Key Lock | On | Schakelt de toegangscode aan of uit |
| | Off | |
| Gobo Power | On | Schakelt de gobo vermogensuit aan of uit |
| | Off | |
| Information | Fixture Hours | <_ _ _ _ H> |
| | Version | <V_ _ _> |
| | UID | <_ _ _ _ _ _ _ _ _> |
| Reset Factory | No | Herstellen naar de fabrieksstandaard |
| | Yes | |

DMX-waarden
16 Ch

| Kanaal | Functie | Waarde | Percentage/Instelling |
|--------|----------------------|-----------|------------------------------------------------------------|
| 1 | Dimmer | 000 ⇔ 255 | 0–100% |
| 2 | Fijnedimmer | 000 ⇔ 255 | 0–100% |
| 3 | Rood | 000 ⇔ 255 | 0–100% |
| 4 | Fijnerood | 000 ⇔ 255 | 0–100% |
| 5 | Groen | 000 ⇔ 255 | 0–100% |
| 6 | Fijnegroen | 000 ⇔ 255 | 0–100% |
| 7 | Blauw | 000 ⇔ 255 | 0–100% |
| 8 | Fijneblauw | 000 ⇔ 255 | 0–100% |
| 9 | Amber | 000 ⇔ 255 | 0–100% |
| 10 | Fijnamber | 000 ⇔ 255 | 0–100% |
| 11 | Lime | 000 ⇔ 255 | 0–100% |
| 12 | Fijnelime | 000 ⇔ 255 | 0–100% |
| 13 | Stroboscoop | 000 ⇔ 010 | Geen functie |
| | | 011 ⇔ 255 | Stroboscoop, langzaam tot snel |
| 14 | Virtueel kleurenwiel | 000 ⇔ 255 | Raadpleeg de sectie Kleurenkaart |
| 15 | Kleurtemperatuur | 000 ⇔ 255 | Raadpleeg de sectie Kleurtemperatuur-kaart |
| 16 | Gobo roterend | 000 ⇔ 127 | Roterende gobo index |
| | | 128 ⇔ 190 | Roteren met de klok mee, langzaam tot snel |
| | | 191 ⇔ 192 | Stop |
| | | 193 ⇔ 255 | Tegen de klok in roteren, langzaam tot snel |

14 Ch

| Kanaal | Functie | Waarde | Percentage/Instelling |
|--------|---------------|-----------|---------------------------------------------|
| 1 | Dimmer | 000 ⇔ 255 | 0–100% |
| 2 | Fijnedimmer | 000 ⇔ 255 | 0–100% |
| 3 | Rood | 000 ⇔ 255 | 0–100% |
| 4 | Fijnerood | 000 ⇔ 255 | 0–100% |
| 5 | Groen | 000 ⇔ 255 | 0–100% |
| 6 | Fijnegroen | 000 ⇔ 255 | 0–100% |
| 7 | Blauw | 000 ⇔ 255 | 0–100% |
| 8 | Fijneblauw | 000 ⇔ 255 | 0–100% |
| 9 | Amber | 000 ⇔ 255 | 0–100% |
| 10 | Fijnamber | 000 ⇔ 255 | 0–100% |
| 11 | Lime | 000 ⇔ 255 | 0–100% |
| 12 | Fijnelime | 000 ⇔ 255 | 0–100% |
| 13 | Stroboscoop | 000 ⇔ 010 | Geen functie |
| | | 011 ⇔ 255 | Stroboscoop, langzaam tot snel |
| 14 | Gobo roterend | 000 ⇔ 127 | Roterende gobo index |
| | | 128 ⇔ 190 | Roteren met de klok mee, langzaam tot snel |
| | | 191 ⇔ 192 | Stop |
| | | 193 ⇔ 255 | Tegen de klok in roteren, langzaam tot snel |

NL

13 Ch

| Kanaal | Functie | Waarde | Percentage/Instelling |
|--------|--------------------------|----------------------------------------------------------------------------|----------------------------------------------------------------------------------------------------------------------------------------------------------|
| 1 | Dimmer | 000 ⇔ 255 | 0–100% |
| 2 | Rood | 000 ⇔ 255 | 0–100% |
| 3 | Groen | 000 ⇔ 255 | 0–100% |
| 4 | Blauw | 000 ⇔ 255 | 0–100% |
| 5 | Amber | 000 ⇔ 255 | 0–100% |
| 6 | Lime | 000 ⇔ 255 | 0–100% |
| 7 | Stroboscoop | 000 ⇔ 010 011 ⇔ 255 | Geen functie Stroboscoop, langzaam tot snel |
| 8 | Virtueel kleurenwiel | 000 ⇔ 255 | Raadpleeg de sectie Kleurenkaart |
| 9 | Kleurtemperatuur | 000 ⇔ 255 | Raadpleeg de sectie Kleurtemperatuur-kaart |
| 10 | Automatische programma's | 000 ⇔ 010 011 ⇔ 060 061 ⇔ 110 111 ⇔ 160 161 ⇔ 210 211 ⇔ 255 | Geen functie Automatische programma 1 Automatische programma 2 Automatische programma 3 Automatische programma 4 Automatische programma 5 |
| 11 | Programmasnelheid | 000 ⇔ 255 | Programmasnelheid, langzaam tot snel |
| 12 | Dimmersnelheid | 000 ⇔ 051 052 ⇔ 101 102 ⇔ 152 153 ⇔ 203 204 ⇔ 255 | Geen functie Lineaire dimmer Dimcurve 1 Dimcurve 2 Dimcurve 3 |
| 13 | Gobo roterend | 000 ⇔ 127 128 ⇔ 190 191 ⇔ 192 193 ⇔ 255 | Roterende gobo index Roteren met de klok mee, langzaam tot snel Stop Tegen de klok in roteren, langzaam tot snel |

11 Ch

| Kanaal | Functie | Waarde | Percentage/Instelling |
|--------|----------------------|--------------------------------------------------|---------------------------------------------------------------------------------------------------------------------------|
| 1 | Dimmer | 000 ⇔ 255 | 0–100% |
| 2 | Fijnedimmer | 000 ⇔ 255 | 0–100% |
| 3 | Rood | 000 ⇔ 255 | 0–100% |
| 4 | Groen | 000 ⇔ 255 | 0–100% |
| 5 | Blauw | 000 ⇔ 255 | 0–100% |
| 6 | Amber | 000 ⇔ 255 | 0–100% |
| 7 | Lime | 000 ⇔ 255 | 0–100% |
| 8 | Stroboscoop | 000 ⇔ 010 011 ⇔ 255 | Geen functie Stroboscoop, langzaam tot snel |
| 9 | Virtueel kleurenwiel | 000 ⇔ 255 | Raadpleeg de sectie Kleurenkaart |
| 10 | Kleurtemperatuur | 000 ⇔ 255 | Raadpleeg de sectie Kleurtemperatuur-kaart |
| 11 | Gobo roterend | 000 ⇔ 127 128 ⇔ 190 191 ⇔ 192 193 ⇔ 255 | Roterende gobo index Roteren met de klok mee, langzaam tot snel Stop Tegen de klok in roteren, langzaam tot snel |

8 Ch

| Kanaal | Functie | Waarde | Percentage/Instelling |
|--------|---------------|--------------------------------------------------|---------------------------------------------------------------------------------------------------------------------------|
| 1 | Dimmer | 000 ⇔ 255 | 0–100% |
| 2 | Rood | 000 ⇔ 255 | 0–100% |
| 3 | Groen | 000 ⇔ 255 | 0–100% |
| 4 | Blauw | 000 ⇔ 255 | 0–100% |
| 5 | Amber | 000 ⇔ 255 | 0–100% |
| 6 | Lime | 000 ⇔ 255 | 0–100% |
| 7 | Stroboscoop | 000 ⇔ 010 011 ⇔ 255 | Geen functie Stroboscoop, langzaam tot snel |
| 8 | Gobo roterend | 000 ⇔ 127 128 ⇔ 190 191 ⇔ 192 193 ⇔ 255 | Roterende gobo index Roteren met de klok mee, langzaam tot snel Stop Tegen de klok in roteren, langzaam tot snel |

6 Ch

| Kanaal | Functie | Waarde | Percentage/Instelling |
|--------|---------------|--------------------------------------------------|---------------------------------------------------------------------------------------------------------------------------|
| 1 | Rood | 000 ⇔ 255 | 0–100% |
| 2 | Groen | 000 ⇔ 255 | 0–100% |
| 3 | Blauw | 000 ⇔ 255 | 0–100% |
| 4 | Amber | 000 ⇔ 255 | 0–100% |
| 5 | Lime | 000 ⇔ 255 | 0–100% |
| 6 | Gobo roterend | 000 ⇔ 127 128 ⇔ 190 191 ⇔ 192 193 ⇔ 255 | Roterende gobo index Roteren met de klok mee, langzaam tot snel Stop Tegen de klok in roteren, langzaam tot snel |

4 Ch

| Kanaal | Functie | Waarde | Percentage/Instelling |
|--------|----------------------|--------------------------------------------------|---------------------------------------------------------------------------------------------------------------------------|
| 1 | Dimmer | 000 ⇔ 255 | 0–100% |
| 2 | Virtueel kleurenwiel | 000 ⇔ 255 | Raadpleeg de sectie Kleurenkaart |
| 3 | Kleurtemperatuur | 000 ⇔ 255 | Raadpleeg de sectie Kleurtemperatuur-kaart |
| 4 | Gobo roterend | 000 ⇔ 127 128 ⇔ 190 191 ⇔ 192 193 ⇔ 255 | Roterende gobo index Roteren met de klok mee, langzaam tot snel Stop Tegen de klok in roteren, langzaam tot snel |

HSV

| Kanaal | Functie | Waarde | Percentage/Instelling |
|--------|---------------|--------------------------------------------------|---------------------------------------------------------------------------------------------------------------------------|
| 1 | Tint | 000 ⇔ 255 | 0–100% |
| 2 | Verzadiging | 000 ⇔ 255 | 0–100% |
| 3 | Waarde | 000 ⇔ 255 | 0–100% |
| 4 | Gobo roterend | 000 ⇔ 127 128 ⇔ 190 191 ⇔ 192 193 ⇔ 255 | Roterende gobo index Roteren met de klok mee, langzaam tot snel Stop Tegen de klok in roteren, langzaam tot snel |

Contact Us

| General Information | Technical Support |
|--------------------------------------------------------------------------------------------------------------------------------------------------------|----------------------------------------------------------------------------------------------------------------------------------------------------------------------------------------------------------------------------------|
| Chauvet World Headquarters | |
| Address: 5200 NW 108th Ave. Sunrise, FL 33351 Voice: (954) 577-4455 Fax: (954) 929-5560 Toll Free: (800) 762-1084 | Voice: (844) 393-7575 Fax: (954) 756-8015 Email: chauvetcs@chauvetlighting.com Website: www.chauvetprofessional.com |
| Chauvet Europe Ltd | |
| Address: Unit 1C Brookhill Road Industrial Estate Pinxton, Nottingham, UK NG16 6NT Voice: +44 (0) 1773 511115 Fax: +44 (0) 1773 511110 | Email: UKtech@chauvetlighting.eu Website: www.chauvetprofessional.eu |
| Chauvet Europe BVBA | |
| Address: Stokstraat 18 9770 Kruishoutem Belgium Voice: +32 9 388 93 97 | Email: BNLtech@chauvetlighting.eu Website: www.chauvetprofessional.eu |
| Chauvet France | |
| Address: 3, Rue Ampère 91380 Chilly-Mazarin France Voice: +33 1 78 85 33 59 | Email: FRtech@chauvetlighting.fr Website: www.chauvetprofessional.eu |
| Chauvet Germany | |
| Address: Bruno-Bürgel-Str. 11 28759 Bremen Germany Voice: +49 421 62 60 20 | Email: DEtech@chauvetlighting.de Website: www.chauvetprofessional.eu |
| Chauvet Mexico | |
| Address: Av. de las Partidas 34 - 3B (Entrance by Calle 2) Zona Industrial Lerma Lerma, Edo. de México, CP 52000 Voice: +52 (728) 690-2010 | Email: servicio@chauvet.com.mx Website: www.chauvetprofessional.mx |

Visit the applicable website above to verify our contact information and instructions to request support. Outside the U.S., United Kingdom, Ireland, Benelux, France, Germany, or Mexico, contact the dealer of record.



UL 1573
CSA C22.2 No. 166
E113093



RoHS

