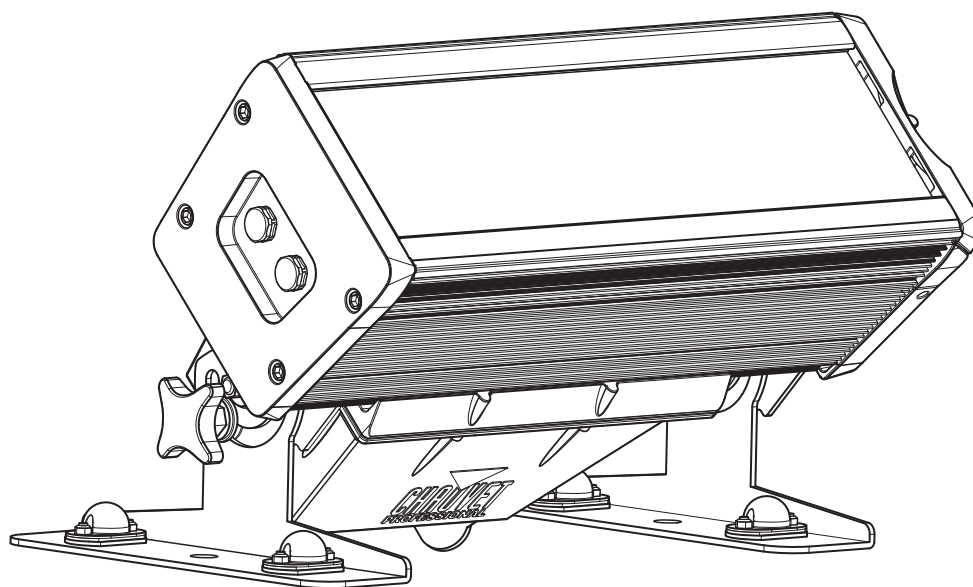


COLORADO *SOLO BATTEN* 4

Quick Reference Guide

English	EN
Español	ES
Français	FR
Deutsch	DE
Nederlands	NL



About This Guide

The COLORado Solo Batten 4 Quick Reference Guide (QRG) has basic product information such as connection, mounting, menu options, and DMX values. Download the User Manual from www.chauvetprofessional.com for more details.

Disclaimer

The information and specifications contained in this QRG are subject to change without notice.

LIMITED WARRANTY

FOR WARRANTY REGISTRATION AND COMPLETE TERMS AND CONDITIONS PLEASE VISIT OUR WEBSITE.

For Customers in the United States and Mexico: www.chauvetlighting.com/warranty-registration.

For Customers in the United Kingdom, Republic of Ireland, Belgium, the Netherlands, Luxembourg, France, and Germany: www.chauvetlighting.eu/warranty-registration.

Chauvet warrants that this product shall be free from defects in material and workmanship under normal use, for the period specified in, and subject to the exclusions and limitations set forth in the full limited warranty on our website. This warranty extends only to the original purchaser of the product and is not transferable. To exercise rights under this warranty, you must provide proof of purchase in the form of an original sales receipt from an authorized dealer that shows the product name and date of purchase. THERE ARE NO OTHER EXPRESS OR IMPLIED WARRANTIES. This warranty gives you specific legal rights. You may also have other rights that vary from state to state and country to country. This warranty is valid only in the United States, United Kingdom, Republic of Ireland, Belgium, the Netherlands, Luxembourg, France, Germany and Mexico. For warranty terms in other countries, please consult your local distributor.

Safety Notes

These Safety Notes include important information about installation, use, and maintenance.

- DO NOT open this product. It contains no user-serviceable parts.
- To eliminate unnecessary wear and improve its lifespan, during periods of non-use completely disconnect the product from power via breaker or by unplugging it.
- DO NOT look at the light source when the product is on.
- CAUTION: This product's housing may be hot when lights are operating. Mount this product in a location with adequate ventilation, at least 20 in (50 cm) from adjacent surfaces.
- DO NOT leave any flammable material within 50 cm of this product while operating or connected to power.
- CAUTION: When transferring product from extreme temperature environments, (e.g., cold truck to warm humid ballroom) condensation may form on the internal electronics of the product. To avoid causing a failure, allow product to fully acclimate to the surrounding environment before connecting it to power.
- Not for permanent outdoor installation in locations with extreme environmental conditions. This includes, but is not limited to:
 - Exposure to a marine/saline environment (within 3 miles of a saltwater body of water).
 - Where the normal high or low temperatures of the location exceed the temperature ranges in this manual.
 - Locations that are prone to flooding or being buried in snow.
 - Other areas where the product will be subject to extreme radiation or caustic substances.
- USE a safety cable when mounting this product overhead.
- DO NOT submerge this product (IP65). Regular outdoor operation is fine.
- DO NOT operate this product if the housing, lenses, or cables appear damaged.
- DO NOT connect this product to a dimmer or rheostat.
- ONLY connect this product to a grounded and protected circuit.
- ONLY use the hanging/mounting bracket to carry this product.
- In the event of a serious operating problem, stop using immediately.
- The maximum ambient temperature is 113 °F (45 °C). Do not operate this product at higher temperatures.
- The minimum startup temperature is -4°F (-20°C). Do not start the product at lower temperatures.
- The minimum ambient temperature is -22°F (-30°C). Do not operate the product at lower temperatures.

FCC Compliance

This device complies with Part 15 Part B of the FCC rules. Operation is subject to the following two conditions:

1. This device may not cause harmful interference, and
2. This device must accept any interference received, including interference that may cause undesired operation.

Any changes or modifications not expressly approved by the party responsible for compliance could void the user's authority to operate the equipment.

Contact

Outside the US, UK, Ireland, Benelux, France, Germany, or Mexico, contact your distributor to request support or return a product. Refer to [Contact Us](#) at the end of this QRG for contact information.

What is Included

- COLORado Solo Batten 4 with glare shield
- Seetronic Powerkon IP65 power cord
- Wall wash filter
- Omega brackets
- Quick Reference Guide

AC Power

This product has an auto-ranging power supply that can work with an input voltage range of 100–240 VAC, 50/60 Hz.

Power Linking

You can link up to 14 COLORado Solo Batten 4 products at 120 V, 24 products at 208 V, or 26 products at 230 V. Never exceed this number. Power linking cords can be purchased separately.

AC plug

Connection	Wire (U.S.)	Wire (Europe)	Screw Color
AC Live	Black	Brown	Yellow/Brass
AC Neutral	White	Blue	Silver
AC Ground	Green/Yellow	Green/Yellow	Green



- **To eliminate unnecessary wear and improve its lifespan, during periods of non-use completely disconnect the product from power via breaker or by unplugging it.**
- **When using this product in an outdoor IP65-type environment, be sure to use IP65 (or higher) rated power cables and secure unused ports with attached IP65 covers.**

Signal Connections

You can link the COLORado Solo Batten 4 to a controller or controller software using a DMX connection or an Ethernet connection. If using other Art-Net™ or sACN-compatible products with the COLORado Solo Batten 4, you can control each individually on a single network. See the User Manual for information about how to connect and configure the product for these signals.

Control Personalities

The COLORado Solo Batten 4 uses DMX, Art-Net™, and sACN for its 18 control personalities, ranging from 3-channel to 56-channel in 1-cell modes and 4-cell modes:

Mode	1-Cell	4-Cell
RGB	3	12
RGB EXT	8	27
RGBA	4	16
RGBA EXT	9	31
RGBAW	5	20
RGBAW EXT	10	35
RGBAW Fine	10	40
RGBAW FULL	16	56
HSIC	9	29

DMX Connection

The COLORado Solo Batten 4 will work with a DMX controller using a 5-pin DMX data connection. A DMX Primer is available from www.chauvetprofessional.com.

Art-Net™ Connection

Art-Net™ is an Ethernet protocol that uses TCP/IP which transfers a large amount of DMX512 data using an Neutrik® etherCON® RJ45 connection over a large network. An Art-Net™ protocol document is available from www.chauvetprofessional.com. Chauvet Professional recommends using unicast Art-Net™ for best results.

Art-Net™ designed by and copyright Artistic Licence Holdings Ltd.

sACN Connection

Also known as ANSI E1.31, Streaming-ACN is an Ethernet protocol that uses the layering and formatting of Architecture for Control Networks to transport DMX512 data over IP or any other ACN compatible network.

Master/Slave Connection

The COLORado Solo Batten 4 uses the DMX data connection for its Master/Slave mode. See the User Manual for information about how to connect and configure the product for master/slave operation.

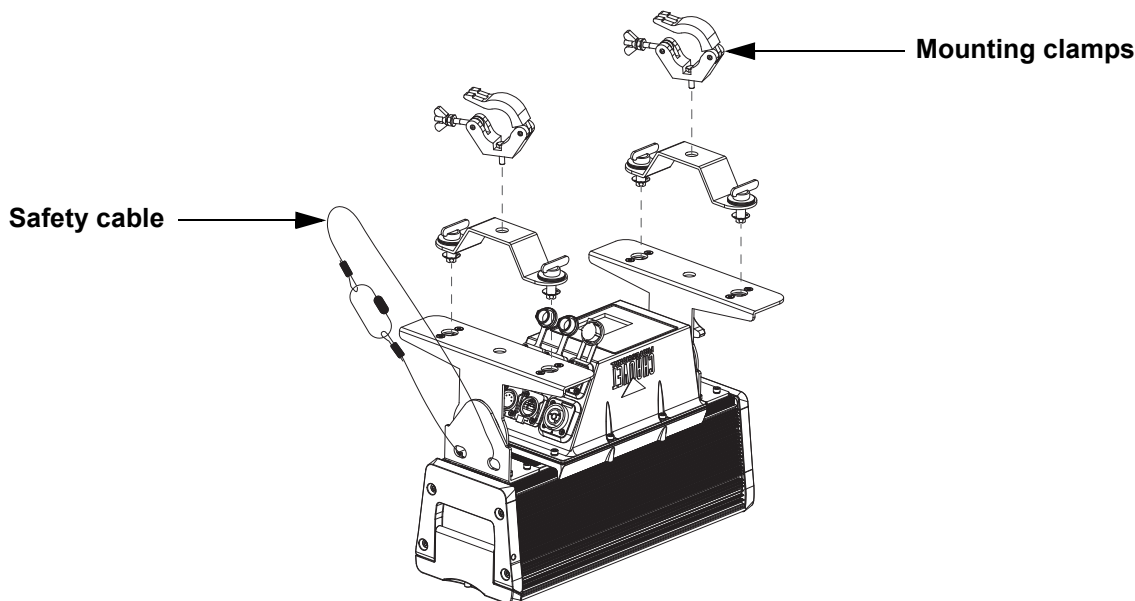
RDM (Remote Device Management)

Remote Device Management, or RDM, is a standard for allowing DMX-enabled devices to communicate bi-directionally along existing DMX cabling. Check the DMX controller's User Manual or with the manufacturer as not all DMX controllers have this capability. The COLORado Solo Batten 4 supports RDM protocol that allows feedback to make changes to menu map options. Download the User Manual from www.chauvetprofessional.com for more details.

Mounting

Before mounting this product, read the [Safety Notes](#). Use at least two mounting points per product. Make sure the mounting clamps are capable of supporting the weight of the product. For our Chauvet line of mounting clamps, go to <http://trusst.com/productcategory/truss-clamps/>.

Mounting Diagram



Web Server

The COLORado Solo Batten 4 Web Server can be accessed by any computer on the same network as the product. It allows network access to system information, settings such as control protocol and starting address, color output testing, and the ability to change the Web Server password.

To access the Web Server:

1. Set the IP address of the network to have the same first digit as the IP address of the product.
2. Enter the IP address of the product into the URL bar of a web browser application.
3. Enter both the user name and password as **admin** to log in.

Control Panel Description

Button	Function
<MENU>	Exits from the current menu or function
<ENTER>	Enables the currently displayed menu or sets the currently selected value into the selected function
<UP>	Navigates upwards through the menu list or increases the numeric value when in a function
<DOWN>	Navigates downwards through the menu list or decreases the numeric value when in a function

Passcode

After being prompted, enter the following passcode by pressing: <UP>, <DOWN>, <UP>, <DOWN>, <ENTER>. This passcode cannot be changed and must be used whenever prompted.

Color Macro Chart

DMX Channel Value	Red Value	Green Value	Blue Value	Amber Value	White Value
000 ⇔ 010	No function	No function	No function	No function	No function
011 ⇔ 034	100%	0–100%	0%	0%	0%
035 ⇔ 059	100–0%	100%	0%	0%	0%
060 ⇔ 084	0%	100%	0–100%	0%	0%
085 ⇔ 109	0%	100–0%	100%	0%	0%
110 ⇔ 134	0–100%	0%	100%	0%	0%
135 ⇔ 159	100%	0%	100–0%	0%	0%
160 ⇔ 184	100%	0–100%	0–100%	0%	0%
185 ⇔ 209	100–0%	100–0%	100%	0%	0%
210 ⇔ 255	100%	100%	100%	100%	100%

Color Temperature Chart

DMX Channel Value	Color Temperature
000 ⇔ 010	No function
011 ⇔ 028	1800K
029 ⇔ 046	2200K
047 ⇔ 064	2700K
065 ⇔ 082	3000K
083 ⇔ 100	3200K
101 ⇔ 118	3500K
119 ⇔ 136	4000K
137 ⇔ 154	4200K
155 ⇔ 172	4500K
173 ⇔ 190	5600K
191 ⇔ 208	6000K
209 ⇔ 226	6500K
227 ⇔ 244	7200K
245 ⇔ 255	8000K



The color temperatures above are simulated renditions of the color output produced as compared to a tungsten lamp at the specified color temperature. Chauvet makes no guarantee of the color output accuracy.

Menu Map

Main Level	Programming Levels		Description	
Protocol	DMX512		Selects the control protocol	
	Art-Net			
	Art-Net to DMX			
	sACN			
Start Address	1–510*		Selects DMX address (*highest channel restricted to personality chosen)	
Personality	1 Cell	1 Cell - RGB	3-channel: RGB	
		1 Cell - RGB EXT	8-channel: 16-bit dimmer, RGB, color macros, color temperature, strobe	
		1 Cell - RGBA	4-channel: RGBA	
		1 Cell - RGBA EXT	9-channel: 16-bit dimmer, RGBA, color macros, color temperature, strobe	
		1 Cell - RGBAW	5-channel: RGBAW	
		1 Cell - RGBAW EXT	10-channel: 16-bit dimmer, RGBAW, color macros, color temperature, strobe	
		1 Cell - RGBAW FIN	10-channel: 16-bit RGBAW	
		1 Cell - RGBAW FULL	16-channel: 16-bit dimmer, 16-bit RGBAW, color macros, color temperature, strobe, dimmer mode	
		1 Cell - HSIC	9-channel: dimmer, 16-bit hue, saturation, color macros, color temperature, strobe, dimmer mode, GN saturation	
	1 Cell - RGBAW Basic	13-channel: dimmer, 16-bit dimmer, RGBAW, color macros, color temperature, strobe, auto programs, auto speed, auto delay		
	4 Cell	4 Cell - RGB	12-channel (4-cell): RGB	
		4 Cell - RGB EXT	27-channel (4-cell): 16-bit dimmer, RGB, color macros, color temperature, strobe	
		4 Cell - RGBA	16-channel (4-cell): RGBA	
		4 Cell - RGBA EXT	31-channel (4-cell): 16-bit dimmer, RGBA, color macros, color temperature, strobe	
		4 Cell - RGBAW	20-channel (4-cell): RGBAW	
		4 Cell - RGBAW EXT	35-channel (4-cell): 16-bit dimmer, RGBAW, color macros, color temperature, strobe	
		4 Cell - RGBAW Fine	40-channel (4-cell): 16-bit RGBAW	
		4 Cell - RGBAW FULL	56-channel (4-cell): 16-bit dimmer, 16-bit RGBAW, color macros, color temperature, strobe, dimmer mode	
4 Cell - HSIC		29-channel (4-cell): dimmer, 16-bit hue, saturation, color macros, color temperature, strobe, dimmer mode		
Network	Net Switch	2.x.x.x	Sets network to a preset 2.x.x.x IP address	
		10.x.x.x	Sets network to a preset 10.x.x.x IP address	
	IP Mode	Default IP		Default IP address
		Custom IP	_____	Set manual IP address
Universe	000–255 (Art-Net™/DMX) or 001–256 (sACN)		Sets universe for Art-Net™ or sACN	
Output Setting	Power Mode		Avoids going over the maximum temperature by adjusting output intensity	
	Steady Mode		Uses lower output intensity at a constant rate to avoid going over the maximum temperature	

Main Level	Programming Levels			Description	
Static Colors	Preset Colors	Color 1–14	0–100%	Preset static colors	
	Color Temperature Presets	White 1–14		Preset color temperatures	
	Manual Color Mixer	Red	Red 0–255	Combine red, green, blue, amber, and white to make a custom color	
		Green	Green 0–255		
		Blue	Blue 0–255		
Amber		Amber 0–255			
	White	White 0–255			
Auto Programs	Run	Auto 1–10		0–100%	Selects automatic programs and program speed
		User Program 1–10			
	Edit	User Program 1–10	Scene 01–30	Red 0–255	Selects and edits a custom program
				Green 0–255	
				Blue 0–255	
				Amber 0–255	
White 0–255					
			Strobe 0–255		
Master/Slave	Master			DMX mode (Master)	
	Slave			Slave mode	
Dimmer Mode	Off			Linear dimmer	
	Dimmer 1–4			Dimming curves Dimmer 1 (fast) to Dimmer 4 (slow)	
LED Frequency	600Hz			Sets the PWM frequency	
	1200Hz				
	2000Hz				
	4000Hz				
	6000Hz				
	25000Hz				
Cell Order	1 - 4(Left to Right)			Sets order of cells	
	4 - 1(Right to Left)				
Settings	**** (Enter Passcode)	DMX Error/ Loss	Hold Last	Continues last command upon loss of DMX	
			Blackout	Blacks out product upon loss of DMX	
	Display Backlight Timeout	On	Display backlight always on		
		10s	Turns off display backlight after 10 seconds of inactivity		
		20s	Turns off display backlight after 20 seconds of inactivity		
		30s	Turns off display backlight after 30 seconds of inactivity		
	Display Passcode	On	Locks display (passcode is <UP>, <DOWN>, <UP>, <DOWN>, <ENTER>)		
		Off			
Information	Fixture Hours		---:---	Shows total hours, minutes, and seconds the product has been powered on	
	Firmware Version		V_._	Shows current firmware version	
	Device Label		Colorado Solo Batten 4	Shows RDM label	
	Device UID		-----	Shows product UID	
	MAC Address		-----	Shows MAC address	
Factory Reset	**** (Enter Passcode)		No	Resets the product to factory default settings	
			Yes		

4-Cell DMX Values

4 Cell HSIC (29 Channels)

Channel	Function	Value	Percent/Setting
1	Dimmer 1	000 ⇄ 255	0–100%
2	Hue 1	000 ⇄ 255	0–100%
3	Fine hue 1	000 ⇄ 255	0–100%
4	Saturation 1	000 ⇄ 255	0–100%
5	Strobe 1	000 ⇄ 009	No function
		010 ⇄ 099	Strobe, slow to fast
		100 ⇄ 109	No function
		110 ⇄ 179	Lightning effect, slow to fast
		180 ⇄ 189	No function
		190 ⇄ 255	Random strobe, slow to fast
6	Color macros 1	000 ⇄ 255	See Color Macro Chart
7	Color temperatures 1	000 ⇄ 255	See Color Temperature Chart
8	Dimmer 2	000 ⇄ 255	0–100%
9	Hue 2	000 ⇄ 255	0–100%
10	Fine hue 2	000 ⇄ 255	0–100%
11	Saturation 2	000 ⇄ 255	0–100%
12	Strobe 2	000 ⇄ 009	No function
		010 ⇄ 099	Strobe, slow to fast
		100 ⇄ 109	No function
		110 ⇄ 179	Lightning effect, slow to fast
		180 ⇄ 189	No function
		190 ⇄ 255	Random strobe, slow to fast
13	Color macros 2	000 ⇄ 255	See Color Macro Chart
14	Color temperatures 2	000 ⇄ 255	See Color Temperature Chart
15	Dimmer 3	000 ⇄ 255	0–100%
16	Hue 3	000 ⇄ 255	0–100%
17	Fine hue 3	000 ⇄ 255	0–100%
18	Saturation 3	000 ⇄ 255	0–100%
19	Strobe 3	000 ⇄ 009	No function
		010 ⇄ 099	Strobe, slow to fast
		100 ⇄ 109	No function
		110 ⇄ 179	Lightning effect, slow to fast
		180 ⇄ 189	No function
		190 ⇄ 255	Random strobe, slow to fast
20	Color macros 3	000 ⇄ 255	See Color Macro Chart
21	Color temperatures 3	000 ⇄ 255	See Color Temperature Chart
22	Dimmer 4	000 ⇄ 255	0–100%
23	Hue 4	000 ⇄ 255	0–100%
24	Fine hue 4	000 ⇄ 255	0–100%
25	Saturation 4	000 ⇄ 255	0–100%
26	Strobe 4	000 ⇄ 009	No function
		010 ⇄ 099	Strobe, slow to fast
		100 ⇄ 109	No function
		110 ⇄ 179	Lightning effect, slow to fast
		180 ⇄ 189	No function
		190 ⇄ 255	Random strobe, slow to fast
27	Color macros 4	000 ⇄ 255	See Color Macro Chart
28	Color temperatures 4	000 ⇄ 255	See Color Temperature Chart
29	Dimmer speed	000 ⇄ 009	Preset dimmer speed from display menu
		010 ⇄ 029	Dimmer speed mode off
		030 ⇄ 069	Dimmer speed mode 1 (fastest)
		070 ⇄ 129	Dimmer speed mode 2
		130 ⇄ 189	Dimmer speed mode 3
		190 ⇄ 255	Dimmer speed mode 4 (slowest)

4 Cell RGBAW Full (56 Channels)

Channel	Function	Value	Percent/Setting
1	Dimmer	000 ⇄ 255	0–100%
2	Fine fimmer	000 ⇄ 255	0–100%
3	Red 1	000 ⇄ 255	0–100%
4	Fine red 1	000 ⇄ 255	0–100%
5	Green 1	000 ⇄ 255	0–100%
6	Fine green 1	000 ⇄ 255	0–100%
7	Blue 1	000 ⇄ 255	0–100%
8	Fine blue 1	000 ⇄ 255	0–100%
9	Amber 1	000 ⇄ 255	0–100%
10	Fine amber 1	000 ⇄ 255	0–100%
11	White 1	000 ⇄ 255	0–100%
12	Fine white 1	000 ⇄ 255	0–100%
13	Color macros 1	000 ⇄ 255	See Color Macro Chart
14	Color temperatures 1	000 ⇄ 255	See Color Temperature Chart
15	Strobe 1	000 ⇄ 009	No function
		010 ⇄ 099	Strobe, slow to fast
		100 ⇄ 109	No function
		110 ⇄ 179	Lightning effect, slow to fast
		180 ⇄ 189	No function
		190 ⇄ 255	Random strobe, slow to fast
16	Red 2	000 ⇄ 255	0–100%
17	Fine red 2	000 ⇄ 255	0–100%
18	Green 2	000 ⇄ 255	0–100%
19	Fine green 2	000 ⇄ 255	0–100%
20	Blue 2	000 ⇄ 255	0–100%
21	Fine blue 2	000 ⇄ 255	0–100%
22	Amber 2	000 ⇄ 255	0–100%
23	Fine amber 2	000 ⇄ 255	0–100%
24	White 2	000 ⇄ 255	0–100%
25	Fine white 2	000 ⇄ 255	0–100%
26	Color macros 2	000 ⇄ 255	See Color Macro Chart
27	Color temperatures 2	000 ⇄ 255	See Color Temperature Chart
28	Strobe 2	000 ⇄ 009	No function
		010 ⇄ 099	Strobe, slow to fast
		100 ⇄ 109	No function
		110 ⇄ 179	Lightning effect, slow to fast
		180 ⇄ 189	No function
		190 ⇄ 255	Random strobe, slow to fast
29	Red 3	000 ⇄ 255	0–100%
30	Fine red 3	000 ⇄ 255	0–100%
31	Green 3	000 ⇄ 255	0–100%
32	Fine green 3	000 ⇄ 255	0–100%
33	Blue 3	000 ⇄ 255	0–100%
34	Fine blue 3	000 ⇄ 255	0–100%
35	Amber 3	000 ⇄ 255	0–100%
36	Fine amber 3	000 ⇄ 255	0–100%
37	White 3	000 ⇄ 255	0–100%
38	Fine white 3	000 ⇄ 255	0–100%
39	Color macros 3	000 ⇄ 255	See Color Macro Chart
40	Color temperatures 3	000 ⇄ 255	See Color Temperature Chart
41	Strobe 3	000 ⇄ 009	No function
		010 ⇄ 099	Strobe, slow to fast
		100 ⇄ 109	No function
		110 ⇄ 179	Lightning effect, slow to fast
		180 ⇄ 189	No function
		190 ⇄ 255	Random strobe, slow to fast

Channel	Function	Value	Percent/Setting
42	Red 4	000 ⇔ 255	0–100%
43	Fine red 4	000 ⇔ 255	0–100%
44	Green 4	000 ⇔ 255	0–100%
45	Fine green 4	000 ⇔ 255	0–100%
46	Blue 4	000 ⇔ 255	0–100%
47	Fine blue 4	000 ⇔ 255	0–100%
48	Amber 4	000 ⇔ 255	0–100%
49	Fine amber 4	000 ⇔ 255	0–100%
50	White 4	000 ⇔ 255	0–100%
51	Fine white 4	000 ⇔ 255	0–100%
52	Color macros 4	000 ⇔ 255	See Color Macro Chart
53	Color temperatures 4	000 ⇔ 255	See Color Temperature Chart
54	Strobe 4	000 ⇔ 009	No function
		010 ⇔ 099	Strobe, slow to fast
		100 ⇔ 109	No function
		110 ⇔ 179	Lightning effect, slow to fast
		180 ⇔ 189	No function
		190 ⇔ 255	Random strobe, slow to fast
55	Strobe all	000 ⇔ 009	No function
		010 ⇔ 099	Strobe, slow to fast
		100 ⇔ 109	No function
		110 ⇔ 179	Lightning effect, slow to fast
		180 ⇔ 189	No function
		190 ⇔ 255	Random strobe, slow to fast
56	Dimmer speed	000 ⇔ 009	Preset dimmer speed from display menu
		010 ⇔ 029	Dimmer speed mode off
		030 ⇔ 069	Dimmer speed mode 1 (fastest)
		070 ⇔ 129	Dimmer speed mode 2
		130 ⇔ 189	Dimmer speed mode 3
		190 ⇔ 255	Dimmer speed mode 4 (slowest)

4 Cell RGBAW Fine (40-Channel)

Channel	Function	Value	Percent/Setting
1	Red 1	000 ⇔ 255	0–100%
2	Fine red 1	000 ⇔ 255	0–100%
3	Green 1	000 ⇔ 255	0–100%
4	Fine green 1	000 ⇔ 255	0–100%
5	Blue 1	000 ⇔ 255	0–100%
6	Fine blue 1	000 ⇔ 255	0–100%
7	Amber 1	000 ⇔ 255	0–100%
8	Fine amber 1	000 ⇔ 255	0–100%
9	White 1	000 ⇔ 255	0–100%
10	Fine white 1	000 ⇔ 255	0–100%
11	Red 2	000 ⇔ 255	0–100%
12	Fine red 2	000 ⇔ 255	0–100%
13	Green 2	000 ⇔ 255	0–100%
14	Fine green 2	000 ⇔ 255	0–100%
15	Blue 2	000 ⇔ 255	0–100%
16	Fine blue 2	000 ⇔ 255	0–100%
17	Amber 2	000 ⇔ 255	0–100%
18	Fine amber 2	000 ⇔ 255	0–100%
19	White 2	000 ⇔ 255	0–100%
20	Fine white 2	000 ⇔ 255	0–100%
21	Red 3	000 ⇔ 255	0–100%
22	Fine red 3	000 ⇔ 255	0–100%
23	Green 3	000 ⇔ 255	0–100%

Channel	Function	Value	Percent/Setting
24	Fine green 3	000 ⇄ 255	0–100%
25	Blue 3	000 ⇄ 255	0–100%
26	Fine blue 3	000 ⇄ 255	0–100%
27	Amber 3	000 ⇄ 255	0–100%
28	Fine amber 3	000 ⇄ 255	0–100%
29	White 3	000 ⇄ 255	0–100%
30	Fine white 3	000 ⇄ 255	0–100%
31	Red 4	000 ⇄ 255	0–100%
32	Fine red 4	000 ⇄ 255	0–100%
33	Green 4	000 ⇄ 255	0–100%
34	Fine green 4	000 ⇄ 255	0–100%
35	Blue 4	000 ⇄ 255	0–100%
36	Fine blue 4	000 ⇄ 255	0–100%
37	Amber 4	000 ⇄ 255	0–100%
38	Fine amber 4	000 ⇄ 255	0–100%
39	White 4	000 ⇄ 255	0–100%
40	Fine white 4	000 ⇄ 255	0–100%

4 Cell RGBAW EXT (35 Channels)

Channel	Function	Value	Percent/Setting
1	Dimmer	000 ⇄ 255	0–100%
2	Fine dimmer	000 ⇄ 255	0–100%
3	Red 1	000 ⇄ 255	0–100%
4	Green 1	000 ⇄ 255	0–100%
5	Blue 1	000 ⇄ 255	0–100%
6	Amber 1	000 ⇄ 255	0–100%
7	White 1	000 ⇄ 255	0–100%
8	Color macros 1	000 ⇄ 255	See Color Macro Chart
9	Color temperatures 1	000 ⇄ 255	See Color Temperature Chart
10	Strobe 1	000 ⇄ 009	No function
		010 ⇄ 099	Strobe, slow to fast
		100 ⇄ 109	No function
		110 ⇄ 179	Lightning effect, slow to fast
		180 ⇄ 189	No function
		190 ⇄ 255	Random strobe, slow to fast
11	Red 2	000 ⇄ 255	0–100%
12	Green 2	000 ⇄ 255	0–100%
13	Blue 2	000 ⇄ 255	0–100%
14	Amber 2	000 ⇄ 255	0–100%
15	White 2	000 ⇄ 255	0–100%
16	Color macros 2	000 ⇄ 255	See Color Macro Chart
17	Color temperatures 2	000 ⇄ 255	See Color Temperature Chart
18	Strobe 2	000 ⇄ 009	No function
		010 ⇄ 099	Strobe, slow to fast
		100 ⇄ 109	No function
		110 ⇄ 179	Lightning effect, slow to fast
		180 ⇄ 189	No function
		190 ⇄ 255	Random strobe, slow to fast
19	Red 3	000 ⇄ 255	0–100%
20	Green 3	000 ⇄ 255	0–100%
21	Blue 3	000 ⇄ 255	0–100%
22	Amber 3	000 ⇄ 255	0–100%
23	White 3	000 ⇄ 255	0–100%
24	Color macros 3	000 ⇄ 255	See Color Macro Chart
25	Color temperatures 3	000 ⇄ 255	See Color Temperature Chart

Channel	Function	Value	Percent/Setting
26	Strobe 3	000 ⇔ 009	No function
		010 ⇔ 099	Strobe, slow to fast
		100 ⇔ 109	No function
		110 ⇔ 179	Lightning effect, slow to fast
		180 ⇔ 189	No function
		190 ⇔ 255	Random strobe, slow to fast
27	Red 4	000 ⇔ 255	0–100%
28	Green 4	000 ⇔ 255	0–100%
29	Blue 4	000 ⇔ 255	0–100%
30	Amber 4	000 ⇔ 255	0–100%
31	White 4	000 ⇔ 255	0–100%
32	Color macros 4	000 ⇔ 255	See Color Macro Chart
33	Color temperatures 4	000 ⇔ 255	See Color Temperature Chart
34	Strobe 4	000 ⇔ 009	No function
		010 ⇔ 099	Strobe, slow to fast
		100 ⇔ 109	No function
		110 ⇔ 179	Lightning effect, slow to fast
		180 ⇔ 189	No function
		190 ⇔ 255	Random strobe, slow to fast
35	Strobe all	000 ⇔ 009	No function
		010 ⇔ 099	Strobe, slow to fast
		100 ⇔ 109	No function
		110 ⇔ 179	Lightning effect, slow to fast
		180 ⇔ 189	No function
		190 ⇔ 255	Random strobe, slow to fast

4 Cell RGBAW (20 Channels)

Channel	Function	Value	Percent/Setting
1	Red 1	000 ⇔ 255	0–100%
2	Green 1	000 ⇔ 255	0–100%
3	Blue 1	000 ⇔ 255	0–100%
4	Amber 1	000 ⇔ 255	0–100%
5	White 1	000 ⇔ 255	0–100%
6	Red 2	000 ⇔ 255	0–100%
7	Green 2	000 ⇔ 255	0–100%
8	Blue 2	000 ⇔ 255	0–100%
9	Amber 2	000 ⇔ 255	0–100%
10	White 2	000 ⇔ 255	0–100%
11	Red 3	000 ⇔ 255	0–100%
12	Green 3	000 ⇔ 255	0–100%
13	Blue 3	000 ⇔ 255	0–100%
14	Amber 3	000 ⇔ 255	0–100%
15	White 3	000 ⇔ 255	0–100%
16	Red 4	000 ⇔ 255	0–100%
17	Green 4	000 ⇔ 255	0–100%
18	Blue 4	000 ⇔ 255	0–100%
19	Amber 4	000 ⇔ 255	0–100%
20	White 4	000 ⇔ 255	0–100%

4 Cell RGBA EXT (31 Channels)

Channel	Function	Value	Percent/Setting
1	Dimmer	000 ⇄ 255	0–100%
2	Fine dimmer	000 ⇄ 255	0–100%
3	Red 1	000 ⇄ 255	0–100%
4	Green 1	000 ⇄ 255	0–100%
5	Blue 1	000 ⇄ 255	0–100%
6	Amber 1	000 ⇄ 255	0–100%
7	Color macros 1	000 ⇄ 255	See Color Macro Chart
8	Color temperatures 1	000 ⇄ 255	See Color Temperature Chart
9	Strobe 1	000 ⇄ 009	No function
		010 ⇄ 099	Strobe, slow to fast
		100 ⇄ 109	No function
		110 ⇄ 179	Lightning effect, slow to fast
		180 ⇄ 189	No function
		190 ⇄ 255	Random strobe, slow to fast
10	Red 2	000 ⇄ 255	0–100%
11	Green 2	000 ⇄ 255	0–100%
12	Blue 2	000 ⇄ 255	0–100%
13	Amber 2	000 ⇄ 255	0–100%
14	Color macros 2	000 ⇄ 255	See Color Macro Chart
15	Color temperatures 2	000 ⇄ 255	See Color Temperature Chart
16	Strobe 2	000 ⇄ 009	No function
		010 ⇄ 099	Strobe, slow to fast
		100 ⇄ 109	No function
		110 ⇄ 179	Lightning effect, slow to fast
		180 ⇄ 189	No function
		190 ⇄ 255	Random strobe, slow to fast
17	Red 3	000 ⇄ 255	0–100%
18	Green 3	000 ⇄ 255	0–100%
19	Blue 3	000 ⇄ 255	0–100%
20	Amber 3	000 ⇄ 255	0–100%
21	Color macros 3	000 ⇄ 255	See Color Macro Chart
22	Color temperatures 3	000 ⇄ 255	See Color Temperature Chart
23	Strobe 3	000 ⇄ 009	No function
		010 ⇄ 099	Strobe, slow to fast
		100 ⇄ 109	No function
		110 ⇄ 179	Lightning effect, slow to fast
		180 ⇄ 189	No function
		190 ⇄ 255	Random strobe, slow to fast
24	Red 4	000 ⇄ 255	0–100%
25	Green 4	000 ⇄ 255	0–100%
26	Blue 4	000 ⇄ 255	0–100%
27	Amber 4	000 ⇄ 255	0–100%
28	Color macros 4	000 ⇄ 255	See Color Macro Chart
29	Color temperatures 4	000 ⇄ 255	See Color Temperature Chart
30	Strobe 3	000 ⇄ 009	No function
		010 ⇄ 099	Strobe, slow to fast
		100 ⇄ 109	No function
		110 ⇄ 179	Lightning effect, slow to fast
		180 ⇄ 189	No function
		190 ⇄ 255	Random strobe, slow to fast
31	Strobe all	000 ⇄ 009	No function
		010 ⇄ 099	Strobe, slow to fast
		100 ⇄ 109	No function
		110 ⇄ 179	Lightning effect, slow to fast
		180 ⇄ 189	No function
		190 ⇄ 255	Random strobe, slow to fast

4 Cell RGBA (16 Channels)

Channel	Function	Value	Percent/Setting
1	Red 1	000 ⇔ 255	0–100%
2	Green 1	000 ⇔ 255	0–100%
3	Blue 1	000 ⇔ 255	0–100%
4	Amber 1	000 ⇔ 255	0–100%
5	Red 2	000 ⇔ 255	0–100%
6	Green 2	000 ⇔ 255	0–100%
7	Blue 2	000 ⇔ 255	0–100%
8	Amber 2	000 ⇔ 255	0–100%
9	Red 3	000 ⇔ 255	0–100%
10	Green 3	000 ⇔ 255	0–100%
11	Blue 3	000 ⇔ 255	0–100%
12	Amber 3	000 ⇔ 255	0–100%
13	Red 4	000 ⇔ 255	0–100%
14	Green 4	000 ⇔ 255	0–100%
15	Blue 4	000 ⇔ 255	0–100%
16	Amber 4	000 ⇔ 255	0–100%

4 Cell RGB EXT (27 Channels)

Channel	Function	Value	Percent/Setting
1	Dimmer	000 ⇔ 255	0–100%
2	Fine dimmer	000 ⇔ 255	0–100%
3	Red 1	000 ⇔ 255	0–100%
4	Green 1	000 ⇔ 255	0–100%
5	Blue 1	000 ⇔ 255	0–100%
6	Color macros 1	000 ⇔ 255	See Color Macro Chart
7	Color temperatures 1	000 ⇔ 255	See Color Temperature Chart
8	Strobe 1	000 ⇔ 009	No function
		010 ⇔ 099	Strobe, slow to fast
		100 ⇔ 109	No function
		110 ⇔ 179	Lightning effect, slow to fast
		180 ⇔ 189	No function
190 ⇔ 255	Random strobe, slow to fast		
9	Red 2	000 ⇔ 255	0–100%
10	Green 2	000 ⇔ 255	0–100%
11	Blue 2	000 ⇔ 255	0–100%
12	Color macros 2	000 ⇔ 255	See Color Macro Chart
13	Color temperatures 2	000 ⇔ 255	See Color Temperature Chart
14	Strobe 2	000 ⇔ 009	No function
		010 ⇔ 099	Strobe, slow to fast
		100 ⇔ 109	No function
		110 ⇔ 179	Lightning effect, slow to fast
		180 ⇔ 189	No function
190 ⇔ 255	Random strobe, slow to fast		
15	Red 3	000 ⇔ 255	0–100%
16	Green 3	000 ⇔ 255	0–100%
17	Blue 3	000 ⇔ 255	0–100%
18	Color macros 3	000 ⇔ 255	See Color Macro Chart
19	Color temperatures 3	000 ⇔ 255	See Color Temperature Chart
20	Strobe 3	000 ⇔ 009	No function
		010 ⇔ 099	Strobe, slow to fast
		100 ⇔ 109	No function
		110 ⇔ 179	Lightning effect, slow to fast
		180 ⇔ 189	No function
190 ⇔ 255	Random strobe, slow to fast		

Channel	Function	Value	Percent/Setting
21	Red 4	000 ⇔ 255	0–100%
22	Green 4	000 ⇔ 255	0–100%
23	Blue 4	000 ⇔ 255	0–100%
24	Color macros 4	000 ⇔ 255	See Color Macro Chart
25	Color temperatures 4	000 ⇔ 255	See Color Temperature Chart
26	Strobe 4	000 ⇔ 009	No function
		010 ⇔ 099	Strobe, slow to fast
		100 ⇔ 109	No function
		110 ⇔ 179	Lightning effect, slow to fast
		180 ⇔ 189	No function
		190 ⇔ 255	Random strobe, slow to fast
27	Strobe all	000 ⇔ 009	No function
		010 ⇔ 099	Strobe, slow to fast
		100 ⇔ 109	No function
		110 ⇔ 179	Lightning effect, slow to fast
		180 ⇔ 189	No function
		190 ⇔ 255	Random strobe, slow to fast

4 Cell RGB (12 Channels)

Channel	Function	Value	Percent/Setting
1	Red 1	000 ⇔ 255	0–100%
2	Green 1	000 ⇔ 255	0–100%
3	Blue 1	000 ⇔ 255	0–100%
4	Red 2	000 ⇔ 255	0–100%
5	Green 2	000 ⇔ 255	0–100%
6	Blue 2	000 ⇔ 255	0–100%
7	Red 3	000 ⇔ 255	0–100%
8	Green 3	000 ⇔ 255	0–100%
9	Blue 3	000 ⇔ 255	0–100%
10	Red 4	000 ⇔ 255	0–100%
11	Green 4	000 ⇔ 255	0–100%
12	Blue 4	000 ⇔ 255	0–100%

1-Cell DMX Values

1 Cell RGBAW Basic (13 Channels)

Channel	Function	Value	Percent/Setting
1	Dimmer	000 ⇔ 255	0–100%
2	Dimmer fine	000 ⇔ 255	0–100%
3	Red	000 ⇔ 255	0–100%
4	Green	000 ⇔ 255	0–100%
5	Blue	000 ⇔ 255	0–100%
6	Amber	000 ⇔ 255	0–100%
7	White	000 ⇔ 255	0–100%
8	Color macros	000 ⇔ 255	See Color Macro Chart
9	Color temperatures	000 ⇔ 255	See Color Temperature Chart
10	Strobe	000 ⇔ 009	No function
		010 ⇔ 099	Strobe, slow to fast
		100 ⇔ 109	No function
		110 ⇔ 179	Lightning effect, slow to fast
		180 ⇔ 189	No function
		190 ⇔ 255	Random strobe, slow to fast
11	Auto programs	000 ⇔ 040	No function
		041 ⇔ 050	Auto1
		051 ⇔ 060	Auto2
		061 ⇔ 070	Auto3
		071 ⇔ 080	Auto4
		081 ⇔ 090	Auto5
		091 ⇔ 100	Auto6
		101 ⇔ 110	Auto7
		111 ⇔ 120	Auto8
		121 ⇔ 130	Auto9
		131 ⇔ 140	Auto10
		141 ⇔ 150	Program1
		151 ⇔ 160	Program2
		161 ⇔ 170	Program3
		171 ⇔ 180	Program4
		181 ⇔ 190	Program5
		191 ⇔ 200	Program6
201 ⇔ 210	Program7		
211 ⇔ 220	Program8		
221 ⇔ 230	Program9		
231 ⇔ 240	Program10		
12	Auto speed	000 ⇔ 255	Auto programs speed adjust
13	Auto delay	000 ⇔ 255	Auto programs delay adjust

1 Cell HSIC (9 Channels)

Channel	Function	Value	Percent/Setting
1	Dimmer	000 ⇔ 255	0–100%
2	Hue	000 ⇔ 255	0–100%
3	Fine Hue	000 ⇔ 255	0–100%
4	Saturation	000 ⇔ 255	0–100%
5	Strobe	000 ⇔ 009	No function
		010 ⇔ 099	Strobe, slow to fast
		100 ⇔ 109	No function
		110 ⇔ 179	Lightning effect, slow to fast
		180 ⇔ 189	No function
		190 ⇔ 255	Random strobe, slow to fast
6	Color macros	000 ⇔ 255	See Color Macro Chart
7	Color temperatures	000 ⇔ 255	See Color Temperature Chart
8	Dimmer speed	000 ⇔ 009	Preset dimmer speed from display menu
		010 ⇔ 029	Dimmer speed mode off
		030 ⇔ 069	Dimmer speed mode 1 (fastest)
		070 ⇔ 129	Dimmer speed mode 2
		130 ⇔ 189	Dimmer speed mode 3
		190 ⇔ 255	Dimmer speed mode 4 (slowest)
9	GN saturation	000 ⇔ 010	No function
		011 ⇔ 029	Full minus green
		030 ⇔ 069	-99% to -1%
		070 ⇔ 129	No function
		130 ⇔ 189	1% to 99%
		190 ⇔ 255	Full plus green

1 Cell RGBAW FULL (16 Channels)

Channel	Function	Value	Percent/Setting
1	Dimmer	000 ⇔ 255	0–100%
2	Fine dimmer	000 ⇔ 255	0–100%
3	Red	000 ⇔ 255	0–100%
4	Fine red	000 ⇔ 255	0–100%
5	Green	000 ⇔ 255	0–100%
6	Fine green	000 ⇔ 255	0–100%
7	Blue	000 ⇔ 255	0–100%
8	Fine blue	000 ⇔ 255	0–100%
9	Amber	000 ⇔ 255	0–100%
10	Fine amber	000 ⇔ 255	0–100%
11	White	000 ⇔ 255	0–100%
12	Fine white	000 ⇔ 255	0–100%
13	Color macros	000 ⇔ 255	See Color Macro Chart
14	Color temperatures	000 ⇔ 255	See Color Temperature Chart
15	Strobe	000 ⇔ 009	No function
		010 ⇔ 099	Strobe, slow to fast
		100 ⇔ 109	No function
		110 ⇔ 179	Lightning effect, slow to fast
		180 ⇔ 189	No function
		190 ⇔ 255	Random strobe, slow to fast
16	Dimmer speed	000 ⇔ 009	Preset dimmer speed from display menu
		010 ⇔ 029	Dimmer speed mode off
		030 ⇔ 069	Dimmer speed mode 1 (fastest)
		070 ⇔ 129	Dimmer speed mode 2
		130 ⇔ 189	Dimmer speed mode 3
		190 ⇔ 255	Dimmer speed mode 4 (slowest)

1 Cell RGBAW FIN (10 Channels)

Channel	Function	Value	Percent/Setting
1	Red	000 ⇔ 255	0–100%
2	Fine red	000 ⇔ 255	0–100%
3	Green	000 ⇔ 255	0–100%
4	Fine green	000 ⇔ 255	0–100%
5	Blue	000 ⇔ 255	0–100%
6	Fine blue	000 ⇔ 255	0–100%
7	Amber	000 ⇔ 255	0–100%
8	Fine amber	000 ⇔ 255	0–100%
9	White	000 ⇔ 255	0–100%
10	Fine white	000 ⇔ 255	0–100%

1 Cell RGBAW EXT (10 Channels)

Channel	Function	Value	Percent/Setting
1	Dimmer	000 ⇔ 255	0–100%
2	Fine Dimmer	000 ⇔ 255	0–100%
3	Red	000 ⇔ 255	0–100%
4	Green	000 ⇔ 255	0–100%
5	Blue	000 ⇔ 255	0–100%
6	Amber	000 ⇔ 255	0–100%
7	White	000 ⇔ 255	0–100%
8	Color Macros	000 ⇔ 255	See Color Macro Chart
9	Color Temperatures	000 ⇔ 255	See Color Temperature Chart
10	Strobe	000 ⇔ 009	No function
		010 ⇔ 099	Strobe, slow to fast
		100 ⇔ 109	No function
		110 ⇔ 179	Lightning effect, slow to fast
		180 ⇔ 189	No function
		190 ⇔ 255	Random strobe, slow to fast

1 Cell RGBAW (5 Channels)

Channel	Function	Value	Percent/Setting
1	Red	000 ⇔ 255	0–100%
2	Green	000 ⇔ 255	0–100%
3	Blue	000 ⇔ 255	0–100%
4	Amber	000 ⇔ 255	0–100%
5	White	000 ⇔ 255	0–100%

1 Cell RGBA EXT (9 Channels)

Channel	Function	Value	Percent/Setting
1	Dimmer	000 ⇄ 255	0–100%
2	Fine Dimmer	000 ⇄ 255	0–100%
3	Red	000 ⇄ 255	0–100%
4	Green	000 ⇄ 255	0–100%
5	Blue	000 ⇄ 255	0–100%
6	Amber	000 ⇄ 255	0–100%
7	Color Macros	000 ⇄ 255	See Color Macro Chart
8	Color Temperatures	000 ⇄ 255	See Color Temperature Chart
9	Strobe	000 ⇄ 009	No function
		010 ⇄ 099	Strobe, slow to fast
		100 ⇄ 109	No function
		110 ⇄ 179	Lightning effect, slow to fast
		180 ⇄ 189	No function
		190 ⇄ 255	Random strobe, slow to fast

1 Cell RGBA (4 Channels)

Channel	Function	Value	Percent/Setting
1	Red	000 ⇄ 255	0–100%
2	Green	000 ⇄ 255	0–100%
3	Blue	000 ⇄ 255	0–100%
4	Amber	000 ⇄ 255	0–100%

1 Cell RGB EXT (8 Channels)

Channel	Function	Value	Percent/Setting
1	Dimmer	000 ⇄ 255	0–100%
2	Fine Dimmer	000 ⇄ 255	0–100%
3	Red	000 ⇄ 255	0–100%
4	Green	000 ⇄ 255	0–100%
5	Blue	000 ⇄ 255	0–100%
6	Color Macros	000 ⇄ 255	See Color Macro Chart
7	Color Temperatures	000 ⇄ 255	See Color Temperature Chart
8	Strobe	000 ⇄ 009	No function
		010 ⇄ 099	Strobe, slow to fast
		100 ⇄ 109	No function
		110 ⇄ 179	Lightning effect, slow to fast
		180 ⇄ 189	No function
		190 ⇄ 255	Random strobe, slow to fast

1 Cell RGB (3 Channels)

Channel	Function	Value	Percent/Setting
1	Red	000 ⇄ 255	0–100%
2	Green	000 ⇄ 255	0–100%
3	Blue	000 ⇄ 255	0–100%

Acerca de Esta Guía

La Guía de Referencia Rápida (GRR) del COLORado Solo Batten 4 contiene información básica sobre el producto, como montaje, opciones de menú y valores DMX. Descargue el Manual de Usuario de www.chauvetprofessional.com para información más detallada.

Exención de Responsabilidad

La información y especificaciones contenidas en esta GRR están sujetas a cambio sin previo aviso.

GARANTÍA LIMITADA

PARA VER EL REGISTRO DE GARANTÍA Y LOS TÉRMINOS Y CONDICIONES COMPLETOS, VISITE NUESTRO SITIO WEB.

Para clientes en los Estados Unidos y México: www.chauvetlighting.com/warranty-registration.

Para clientes en Reino Unido, República de Irlanda, Bélgica, Países Bajos, Luxemburgo, Francia y Alemania: www.chauvetlighting.eu/warranty-registration.

Chauvet garantiza que este producto estará libre de defectos de material y mano de obra en condiciones de uso normales, durante el periodo especificado, sujeto siempre a las exclusiones y limitaciones establecidas en la garantía limitada completa de nuestro sitio web. Esta garantía se concede únicamente al comprador original del producto y no es transferible. Para ejercer los derechos que otorga esta garantía, usted debe proporcionar una prueba de compra en forma de un recibo de compra original, expedido por un distribuidor autorizado, donde figure el nombre del producto y la fecha de compra. **NO EXISTEN OTRAS GARANTÍAS EXPRESAS NI IMPLÍCITAS.** Esta garantía le otorga derechos legales específicos. Es posible que a usted le asistan otros derechos, que variarán dependiendo del estado o del país. Esta garantía solamente es válida en los Estados Unidos, Reino Unido, República de Irlanda, Bélgica, Países Bajos, Luxemburgo, Francia, Alemania y México. Para conocer los términos de garantía en otros países, consulte a su distribuidor local.

Notas de Seguridad

- NO abra este producto. No contiene piezas reparables por el usuario.
- Para evitar un desgaste innecesario y alargar su vida útil, desconecte complemente el producto de la alimentación, mediante el interruptor o desenchufándolo, durante los periodos en los que no se use.
- NO mire a la fuente de luz cuando el producto esté encendido.
- CUIDADO: La carcasa de este producto está caliente cuando las luces están en funcionamiento.
- Monte este producto en una ubicación con ventilación adecuada, al menos a 20" (50 cm) de superficies adyacentes.
- NO deje ningún material inflamable a menos de 50 cm de este producto mientras esté funcionando o conectado a la alimentación.
- Cuidado: cuando transfiera el producto desde ambientes con temperatura extrema (p. ej., del remolque frío de un camión a una sala de baile con calor y humedad), puede formarse condensación en la electrónica interna del producto. Para evitar que se produzca una avería, deje que el producto se aclimate completamente al ambiente antes de conectar la alimentación.
- No apto para la instalación permanente en exteriores en lugares con condiciones ambientales extremas. Estas incluyen, sin limitarse a ellas:
 - Exposición a un ambiente marino/salino (a menos de 4,8 km de una masa de agua salada).
 - Cuando las temperaturas máxima o mínima habituales del lugar superan los rangos de temperatura en este manual.
 - Lugares proclives a inundaciones o a ser sepultados por la nieve.
 - Otras zonas en las que el producto esté expuesto a radiación extrema o sustancias cáusticas.
- USE un cable de seguridad cuando monte este producto en lo alto.
- NO sumerja este producto (IP65). La operación normal en exteriores es correcta.
- NO ponga en funcionamiento este producto si sospecha que la carcasa, lentes o cables están dañados.
- NO conecte este producto a un atenuador o reostato.
- Conecte este producto SOLO a un circuito con toma de tierra y protegido.
- Use SOLAMENTE los soportes de colgar/montar para mover este producto.
- En caso de un problema grave de funcionamiento, deje de usarlo inmediatamente.
- La máxima temperatura ambiente es de 113 °F (45 °C). No haga funcionar este producto a temperaturas más altas.
- La temperatura de inicio máxima es de -4 °F (-20 °C). No ponga en funcionamiento el producto a temperaturas más bajas.
- La temperatura ambiente mínima es de -22 °F (-30 °C). No haga funcionar el producto a temperaturas más bajas.

Cumplimiento de la FCC

Este dispositivo cumple la parte 15, parte B de las normas FCC. El Funcionamiento está supeditado al cumplimiento de estas dos condiciones:

1. Este dispositivo no puede causar interferencias perjudiciales; y
2. Este dispositivo debe aceptar cualquier interferencia recibida, incluyendo las interferencias que puedan causar un funcionamiento no deseado.

Cualquier cambio o modificación que no haya sido expresamente autorizado por la parte responsable de conformidad puede anular la potestad del usuario para hacer funcionar el equipo.

Contacto

Fuera de EE. UU., Reino Unido, Irlanda, Benelux, Francia, Alemania o México póngase en contacto con su distribuidor para solicitar asistencia o devolver un producto. Consulte [Contact Us](#) al final de este GRR para información de contacto.

Qué va Incluido

- COLORado Solo Batten 4 con pantalla antirreflectante
- Cable de alimentación Seetronic Powerkon IP65
- Colada de la pared de filtro
- Soportes Omega
- Guía de Referencia Rápida

Corriente Alterna

Este producto tiene una fuente de alimentación con detección automática que puede funcionar con un rango de tensión de entrada de 100 a 240 VCA, 50/60 Hz.

Alimentación en Cadena

Puede enlazar hasta 14 productos COLORado Solo Batten 4 a 120 V, 24 productos a 208 V o 26 productos a 230 V. Los cables de alimentación en cadena se pueden adquirir por separado.

Enchufe CA

Conexión	Cable (EE.UU.)	Cable (Europa)	Color del tornillo
CA Cargado	Negro	Marrón	Amarillo/Latón
CA Neutro	Blanco	Azul	Plata
CA Tierra	Verde/Amarillo	Verde/Amarillo	Verde



- **Para evitar un desgaste innecesario y alargar su vida útil, desconecte completamente el producto de la alimentación, mediante el interruptor o desenchufándolo, durante los periodos en los que no se use.**
- **Cuando utilice este producto en exteriores, use cables de datos y alimentación con protección IP65 (o superior). Asegúrese de proteger los puertos de datos y alimentación que no se usen colocando tapas IP65.**

Conexiones de señal

Puede enlazar el COLORado Solo Batten 4 a un controlador o software controlador usando una conexión DMX o una conexión Ethernet. Si está usando otros productos compatibles con Art-Net™ o sACN, el COLORado Solo Batten 4, puede controlar cada uno individualmente en una sola red. Consulte el Manual de usuario para obtener información sobre cómo conectar y configurar el producto para estas señales.

Personalidades de control

El COLORado Solo Batten 4 utiliza DMX, Art-Net™ y sACN para sus 18 personalidades de control, que van de 3 canales a 56 canales en modos de 1 celda y modos de 4 celdas:

Modo	1 celda	4 celdas
RGB	3	12
RGB EXT	8	27
RGBA	4	16
RGBA EXT	9	31
RGBAW	5	20
RGBAW EXT	10	35
RGBAW Fine	10	40
RGBAW FULL	16	56
HSIC	9	29

Conexión DMX

El COLORado Solo Batten 4 funcionará con un controlador DMX usando una conexión serie DMX de 5 pines. Hay un Manual DMX disponible en www.chauvetprofessional.com.

Conexión Art-Net™

Art-Net™ es un protocolo Ethernet que utiliza TCP/IP para transferir gran cantidad de datos DMX512 usando una conexión etherCON RJ45 sobre una red de gran tamaño. Hay disponible un documento sobre el protocolo Art-Net™ desde www.chauvetprofessional.com. Chauvet Professional recomienda la utilización de modo Unicast para mejores resultados. Art-Net™ diseñado y copyright por Artistic Licence Holdings Ltd.

Conexión sACN

También conocido como ANSI E1.31, el streaming ACN es un protocolo Ethernet que usa las capas y formato de Architecture for Control Networks (arquitectura para redes de control) para transportar datos DMX512 sobre IP o cualquier otra red compatible con ACN.

Conexión Maestro/Esclavo

El COLORado Solo Batten 4 usa la conexión de datos DMX para su modo Maestro/Esclavo. Vea el Manual de Usuario para conectar y configurar para funcionamiento Maestro/Esclavo.

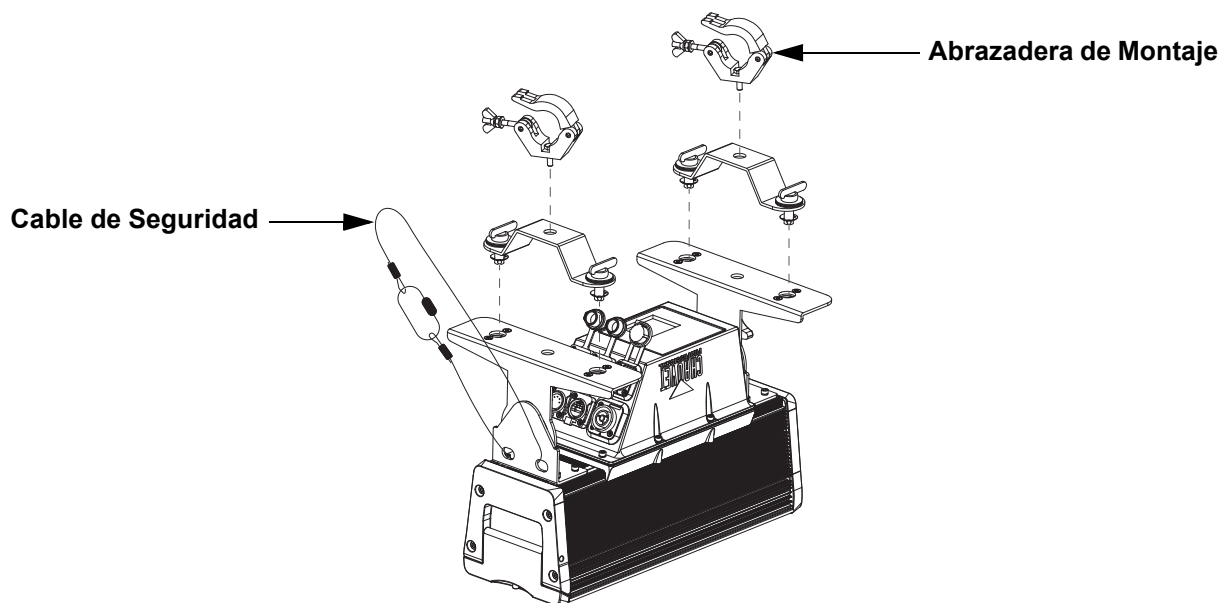
RDM (gestión remota del dispositivo)

Remote Device Management (gestión remota del dispositivo) o RDM, es un estándar que permite a los dispositivos con capacidad DMX una comunicación bidireccional por un cableado DMX existente. El COLORado Solo Batten 4 admite protocolo RDM, que posibilita información para supervisar cambiar las opciones del mapa de menú. Descargue el manual de usuario de www.chauvetprofessional.com para una información más detallada.

Montaje

Antes de montar este producto, lea las [Notas de Seguridad](#). Utilice al menos dos puntos de montaje por producto. Asegúrese de que las abrazaderas de montaje son capaces de soportar el peso del producto. Para nuestra línea Chauvet de abrazaderas de montaje, visite <http://trusst.com/productcategory/truss-clamps/>.

Diagrama de Montaje del Producto



Servidor web

Al Servidor Web COLORado Solo Batten 4 tiene acceso cualquier ordenador que se encuentre en la misma red que el producto. Permite acceder por la red a la información del sistema, ajustes como protocolo de control y dirección de inicio, prueba de emisión de color, y es posible cambiar la contraseña del servidor web.

Para acceder al servidor web:

1. Configure la dirección IP de la red para que tenga el primer dígito que la dirección IP del producto.
2. Introduzca la dirección IP del producto en la barra de direcciones de una aplicación de navegador web.
3. Introduzca **admin** como nombre de usuario y como contraseña para iniciar sesión.

Descripción del Panel de Control

Botón	Función
<MENU>	Salir del menú o función actual
<ENTER>	Habilita el menú actualmente en pantalla o configura el valor seleccionado actualmente dentro de la función seleccionada
<UP>	Navega hacia arriba por la lista de menú o aumenta el valor numérico cuando está en una función
<DOWN>	Navega hacia abajo por la lista de menú o disminuye el valor numérico cuando está en una función

Código de acceso

Después de que se le solicite, introduzca el siguiente código de acceso pulsando: <UP>, <DOWN>, <UP>, <DOWN>, <ENTER>. Este código no se puede cambiar y se debe usar cuando se le solicite.

Tabla de Macro de Color

Valor del Canal DMX	Valor Rojo	Valor Verde	Valor Azul	Valor Ámbar	Valor Blanco
000 ⇔ 010	Sin función	Sin función	Sin función	Sin función	Sin función
011 ⇔ 034	100%	0–100%	0%	0%	0%
035 ⇔ 059	100–0%	100%	0%	0%	0%
060 ⇔ 084	0%	100%	0–100%	0%	0%
085 ⇔ 109	0%	100–0%	100%	0%	0%
110 ⇔ 134	0–100%	0%	100%	0%	0%
135 ⇔ 159	100%	0%	100–0%	0%	0%
160 ⇔ 184	100%	0–100%	0–100%	0%	0%
185 ⇔ 209	100–0%	100–0%	100%	0%	0%
210 ⇔ 255	100%	100%	100%	100%	100%

Gráfico de temperaturas de color

Valor del Canal DMX	Temperatura de Color
000 ⇔ 010	Sin función
011 ⇔ 028	1800K
029 ⇔ 046	2200K
047 ⇔ 064	2700K
065 ⇔ 082	3000K
083 ⇔ 100	3200K
101 ⇔ 118	3500K
119 ⇔ 136	4000K
137 ⇔ 154	4200K
155 ⇔ 172	4500K
173 ⇔ 190	5600K
191 ⇔ 208	6000K
209 ⇔ 226	6500K
227 ⇔ 244	7200K
245 ⇔ 255	8000K



Las temperaturas de color que aparecen arriba son interpretaciones simuladas de la emisión de color producida cuando se compara con una lámpara de tungsteno a la temperatura de color especificada. Chauvet no garantiza la exactitud del color emitido.

Mapa de Menú

Nivel Principal	Niveles de Programación		Descripción
Protocol	DMX512		Establece el protocolo de control
	Art-Net		
	Art-Net to DMX		
	sACN		
Start Address	1–510*		Selecciona la dirección de inicio (*canal más alto restringido a la elección de personalidad)
Personality	1 Cell	1 Cell - RGB	3-canales: RVA
		1 Cell - RGB EXT	8-canales: 16 bits atenuador, RVA, macro de color, temperatura de color, estroboscopio
		1 Cell - RGBA	4-canales: RVAA
		1 Cell - RGBA EXT	9-canales: 16 bits atenuador, RVAA, macro de color, temperatura de color, estroboscopio
		1 Cell - RGBAW	5-canales: RVAAB
		1 Cell - RGBAW EXT	10-canales: 16 bits atenuador, RVAAB, macro de color, temperatura de color, estroboscopio
		1 Cell - RGBAW Fine	10-canales: 16 bits RVAAB
		1 Cell - RGBAW FULL	16-canales: 16 bits atenuador, 16 bits RGBAW, macro de color, temperatura de color, estroboscopio, modo atenuador
		1 Cell - HSIC	9-canales: atenuador, 16 bits tono, saturación, macro de color, temperatura de color, estroboscopio, modo atenuador, saturación de GN
	1 Cell - RGBAW Basic	13-canales: atenuador, 16 bits atenuador, RVAAB, macro de color, temperatura de color, estroboscopio, programas de auto, velocidad automática, retraso automático	
	4 Cell	4 Cell - RGB	12-canales (4 celdas): RVA
		4 Cell - RGB EXT	27-canales (4 celdas): 16 bits atenuador, RGB, macro de color, temperatura de color, estroboscopio
		4 Cell - RGBA	16-canales (4 celdas): RVAA
		4 Cell - RGBA EXT	31-canales (4 celdas): 16 bits atenuador, RGBA, macro de color, temperatura de color, estroboscopio
		4 Cell - RGBAW	20-canales (4 celdas): RVAAB
		4 Cell - RGBAW EXT	35-canales (4 celdas): 16 bits atenuador, RGBAW, macro de color, temperatura de color, estroboscopio
		4 Cell - RGBAW Fine	40-canales (4 celdas): 16 bits RVAAB
		4 Cell - RGBAW FULL	56-canales (4 celdas): 16 bits atenuador, 16 bits RGBAW, macro de color, temperatura de color, estroboscopio, modo atenuador
4 Cell - HSIC		29-canales (4- celdas): atenuador, 16 bits tono, saturación, macro de color, temperatura de color, estroboscopio, modo atenuador	
Network	Net Switch	2.x.x.x	Establece la red a una dirección IP preestablecida 2.x.x.x.
		10.x.x.x	Establece la red a una dirección IP preestablecida 10.x.x.x.
	IP Mode	Default IP	Dirección IP predeterminada
		Custom IP	Configura la dirección IP manualmente
	Universe	000–255 (Art-Net™/DMX) o 001–256 (sACN)	

Nivel Principal	Niveles de Programación			Descripción	
Output Setting	Power Mode			Evita pasar de la temperatura máxima ajustando la intensidad de salida	
	Steady Mode			Utiliza una intensidad mas baja de salida a una tasa constante para evitar pasar de la temperatura máxima	
Static Colors	Preset Colors	Color 1–14	0–100%	Colores estáticos preestablecidos	
	Color Temperature Presets	White 1–14		Temperaturas de color preestablecidas	
	Manual Color Mixer	Red	Red 0–255	Combina rojo, verde, azul, ámbar y blanco para generar un color personalizado	
		Green	Green 0–255		
		Blue	Blue 0–255		
Amber		Amber 0–255			
White	White 0–255				
Auto Programs	Run	Auto 1–10		0–100%	Selecciona programas automáticos y velocidad de programas
		User Program 1–10			
	Edit	User Program 1–10	Scene 01–30	Red 0–255	Selecciona y edita un programa personalizable
				Green 0–255	
				Blue 0–255	
				Amber 0–255	
White 0–255					
			Strobe 0–255		
Master/Slave	Master			Modo DMX (maestro)	
	Slave			Modo esclavo	
Dimmer Mode	Off			Atenuador lineal	
	Dimmer 1–4			Curvas de atenuador Dimmer 1 (rápido) a Dimmer 4 (lento)	
LED Frequency	600Hz			Selecciona la frecuencia de emisión PWM	
	1200Hz				
	2000Hz				
	4000Hz				
	6000Hz				
	25000Hz				
Cell Order	1 - 4(Left to Right)			Establece el orden de las celdas	
	4 - 1(Right to Left)				
Settings		DMX Error/ Loss	Hold Last	Continúa con el último comando tras la pérdida de control DMX	
			Blackout	Oscuro el dispositivo tras la pérdida de señal DMX	
	**** (Enter Passcode)	Display Backlight Timeout	On	Retro-iluminación de la pantalla siempre activa	
			10s	Retro-iluminación de la pantalla se apaga después de 10 segundos de inactividad	
			20s	Retro-iluminación de la pantalla se apaga después de 20 segundos de inactividad	
			30s	Retro-iluminación de la pantalla se apaga después de 30 segundos de inactividad	
	Display Passcode	On	Bloquea la pantalla (la contraseña es <UP>, <DOWN>, <UP>, <DOWN>, <ENTER>)		
Off					

Nivel Principal	Niveles de Programación		Descripción
Information	Fixture Hours	----- --:--	Muestra el nombre total de las horas, minutos y segundos del producto
	Firmware Version	V_._	Muestra instalada la versión de firmware
	Device Label	Colorado Solo Batten 4	Muestra el nombre del producto para RDM
	Device UID	-----	Muestra el UID # del producto
	MAC Address	-----	Muestra el dirección MAC
Factory Reset	**** (Enter Passcode)	No Yes	Reinicia a la configuración de fábrica

Valores DMX de 4 celdas

4 Cell HSIC (29 canales)

Canal	Función	Valor	Porcentaje/Configuración
1	Atenuador 1	000 ⇔ 255	0–100%
2	Tono 1	000 ⇔ 255	0–100%
3	Tono fino 1	000 ⇔ 255	0–100%
4	Saturación 1	000 ⇔ 255	0–100%
5	Estroboscopio 1	000 ⇔ 009	Sin función
		010 ⇔ 099	Estroboscopio, lento a rápido
		100 ⇔ 109	Sin función
		110 ⇔ 179	Efecto relámpago, lento a rápido
		180 ⇔ 189	Sin función
		190 ⇔ 255	Estroboscopio aleatorio, lento a rápido
6	Macros de color 1	000 ⇔ 255	Consulte la sección Tabla de Macro de Color
7	Temperaturas de color 1	000 ⇔ 255	Consulte la sección Gráfico de temperaturas de color
8	Atenuador 2	000 ⇔ 255	0–100%
9	Tono 2	000 ⇔ 255	0–100%
10	Tono fino 2	000 ⇔ 255	0–100%
11	Saturación 2	000 ⇔ 255	0–100%
12	Estroboscopio 2	000 ⇔ 009	Sin función
		010 ⇔ 099	Estroboscopio, lento a rápido
		100 ⇔ 109	Sin función
		110 ⇔ 179	Efecto relámpago, lento a rápido
		180 ⇔ 189	Sin función
		190 ⇔ 255	Estroboscopio aleatorio, lento a rápido
13	Macros de color 2	000 ⇔ 255	Consulte la sección Tabla de Macro de Color
14	Temperaturas de color 2	000 ⇔ 255	Consulte la sección Gráfico de temperaturas de color
15	Atenuador 3	000 ⇔ 255	0–100%
16	Tono 3	000 ⇔ 255	0–100%
17	Tono fino 3	000 ⇔ 255	0–100%
18	Saturación 3	000 ⇔ 255	0–100%
19	Estroboscopio 3	000 ⇔ 009	Sin función
		010 ⇔ 099	Estroboscopio, lento a rápido
		100 ⇔ 109	Sin función
		110 ⇔ 179	Efecto relámpago, lento a rápido
		180 ⇔ 189	Sin función
		190 ⇔ 255	Estroboscopio aleatorio, lento a rápido
20	Macros de color 3	000 ⇔ 255	Consulte la sección Tabla de Macro de Color
21	Temperaturas de color 3	000 ⇔ 255	Consulte la sección Gráfico de temperaturas de color
22	Atenuador 4	000 ⇔ 255	0–100%
23	Tono 4	000 ⇔ 255	0–100%
24	Tono fino 4	000 ⇔ 255	0–100%
25	Saturación 4	000 ⇔ 255	0–100%

Canal	Función	Valor	Porcentaje/Configuración
26	Estroboscopio 4	000 ⇔ 009	Sin función
		010 ⇔ 099	Estroboscopio, lento a rápido
		100 ⇔ 109	Sin función
		110 ⇔ 179	Efecto relámpago, lento a rápido
		180 ⇔ 189	Sin función
		190 ⇔ 255	Estroboscopio aleatorio, lento a rápido
27	Macros de color 4	000 ⇔ 255	Consulte la sección Tabla de Macro de Color
28	Temperaturas de color 4	000 ⇔ 255	Consulte la sección Gráfico de temperaturas de color
29	Velocidad de atenuador	000 ⇔ 009	Ajuste de la velocidad del atenuador desde la pantalla
		010 ⇔ 029	Modo velocidad del atenuador desactivado
		030 ⇔ 069	Velocidad de atenuador 1 (rápida)
		070 ⇔ 129	Velocidad de atenuador 2
		130 ⇔ 189	Velocidad de atenuador 3
		190 ⇔ 255	Velocidad de atenuador 4 (lenta)

4 Cell RGBAW FUL (56 canales)

Canal	Función	Valor	Porcentaje/Configuración
1	Atenuador	000 ⇔ 255	0–100%
2	Atenuador fino	000 ⇔ 255	0–100%
3	Rojo 1	000 ⇔ 255	0–100%
4	Rojo fino 1	000 ⇔ 255	0–100%
5	Verde 1	000 ⇔ 255	0–100%
6	Verde fino 1	000 ⇔ 255	0–100%
7	Azul 1	000 ⇔ 255	0–100%
8	Azul fino 1	000 ⇔ 255	0–100%
9	Ámbar 1	000 ⇔ 255	0–100%
10	Ámbar fino 1	000 ⇔ 255	0–100%
11	Blanco 1	000 ⇔ 255	0–100%
12	Blanco fino 1	000 ⇔ 255	0–100%
13	Macros de color 1	000 ⇔ 255	Consulte la sección Tabla de Macro de Color
14	Temperatura de color 1	000 ⇔ 255	Consulte la sección Gráfico de temperaturas de color
15	Estroboscopio 1	000 ⇔ 009	Sin función
		010 ⇔ 099	Estroboscopio, lento a rápido
		100 ⇔ 109	Sin función
		110 ⇔ 179	Efecto relámpago, lento a rápido
		180 ⇔ 189	Sin función
		190 ⇔ 255	Estroboscopio aleatorio, lento a rápido
16	Rojo 2	000 ⇔ 255	0–100%
17	Rojo fino 2	000 ⇔ 255	0–100%
18	Verde 2	000 ⇔ 255	0–100%
19	Verde fino 2	000 ⇔ 255	0–100%
20	Azul 2	000 ⇔ 255	0–100%
21	Azul fino 2	000 ⇔ 255	0–100%
22	Ámbar 2	000 ⇔ 255	0–100%
23	Ámbar fino 2	000 ⇔ 255	0–100%
24	Blanco 2	000 ⇔ 255	0–100%
25	Blanco fino 2	000 ⇔ 255	0–100%
26	Macros de color 2	000 ⇔ 255	Consulte la sección Tabla de Macro de Color
27	Temperatura de color 2	000 ⇔ 255	Consulte la sección Gráfico de temperaturas de color
28	Estroboscopio 2	000 ⇔ 009	Sin función
		010 ⇔ 099	Estroboscopio, lento a rápido
		100 ⇔ 109	Sin función
		110 ⇔ 179	Efecto relámpago, lento a rápido
		180 ⇔ 189	Sin función
		190 ⇔ 255	Estroboscopio aleatorio, lento a rápido
29	Rojo 3	000 ⇔ 255	0–100%

Canal	Función	Valor	Porcentaje/Configuración
30	Rojo fino 3	000 ⇔ 255	0–100%
31	Verde 3	000 ⇔ 255	0–100%
32	Verde fino 3	000 ⇔ 255	0–100%
33	Azul 3	000 ⇔ 255	0–100%
34	Azul fino 3	000 ⇔ 255	0–100%
35	Ámbar 3	000 ⇔ 255	0–100%
36	Ámbar fino 3	000 ⇔ 255	0–100%
37	Blanco 3	000 ⇔ 255	0–100%
38	Blanco fino 3	000 ⇔ 255	0–100%
39	Macros de color 3	000 ⇔ 255	Consulte la sección Tabla de Macro de Color
40	Temperatura de color 3	000 ⇔ 255	Consulte la sección Gráfico de temperaturas de color
41	Estroboscopio 3	000 ⇔ 009	Sin función
		010 ⇔ 099	Estroboscopio, lento a rápido
		100 ⇔ 109	Sin función
		110 ⇔ 179	Efecto relámpago, lento a rápido
		180 ⇔ 189	Sin función
		190 ⇔ 255	Estroboscopio aleatorio, lento a rápido
42	Rojo 4	000 ⇔ 255	0–100%
43	Rojo fino 4	000 ⇔ 255	0–100%
44	Verde 4	000 ⇔ 255	0–100%
45	Verde fino 4	000 ⇔ 255	0–100%
46	Azul 4	000 ⇔ 255	0–100%
47	Azul fino 4	000 ⇔ 255	0–100%
48	Ámbar 4	000 ⇔ 255	0–100%
49	Ámbar fino 4	000 ⇔ 255	0–100%
50	Blanco 4	000 ⇔ 255	0–100%
51	Blanco fino 4	000 ⇔ 255	0–100%
52	Macros de color 4	000 ⇔ 255	Consulte la sección Tabla de Macro de Color
53	Temperatura de color 4	000 ⇔ 255	Consulte la sección Gráfico de temperaturas de color
54	Estroboscopio 4	000 ⇔ 009	Sin función
		010 ⇔ 099	Estroboscopio, lento a rápido
		100 ⇔ 109	Sin función
		110 ⇔ 179	Efecto relámpago, lento a rápido
		180 ⇔ 189	Sin función
		190 ⇔ 255	Estroboscopio aleatorio, lento a rápido
55	Estroboscopio todo	000 ⇔ 009	Sin función
		010 ⇔ 099	Estroboscopio, lento a rápido
		100 ⇔ 109	Sin función
		110 ⇔ 179	Efecto relámpago, lento a rápido
		180 ⇔ 189	Sin función
		190 ⇔ 255	Estroboscopio aleatorio, lento a rápido
56	Velocidad de atenuador	000 ⇔ 009	Ajuste de la velocidad del atenuador desde la pantalla
		010 ⇔ 029	Modo velocidad del atenuador desactivado
		030 ⇔ 069	Velocidad de atenuador 1 (rápida)
		070 ⇔ 129	Velocidad de atenuador 2
		130 ⇔ 189	Velocidad de atenuador 3
		190 ⇔ 255	Velocidad de atenuador 4 (lenta)

4 Cell RGBAW FIN (40 canales)

Canal	Función	Valor	Porcentaje/Configuración
1	Rojo 1	000 ⇔ 255	0–100%
2	Rojo fino 1	000 ⇔ 255	0–100%
3	Verde 1	000 ⇔ 255	0–100%
4	Verde fino 1	000 ⇔ 255	0–100%
5	Azul 1	000 ⇔ 255	0–100%
6	Azul fino 1	000 ⇔ 255	0–100%
7	Ámbar 1	000 ⇔ 255	0–100%
8	Ámbar fino 1	000 ⇔ 255	0–100%
9	Blanco 1	000 ⇔ 255	0–100%
10	Blanco fino 1	000 ⇔ 255	0–100%
11	Rojo 2	000 ⇔ 255	0–100%
12	Rojo fino 2	000 ⇔ 255	0–100%
13	Verde 2	000 ⇔ 255	0–100%
14	Verde fino 2	000 ⇔ 255	0–100%
15	Azul 2	000 ⇔ 255	0–100%
16	Azul fino 2	000 ⇔ 255	0–100%
17	Ámbar 2	000 ⇔ 255	0–100%
18	Ámbar fino 2	000 ⇔ 255	0–100%
19	Blanco 2	000 ⇔ 255	0–100%
20	Blanco fino 2	000 ⇔ 255	0–100%
21	Rojo 3	000 ⇔ 255	0–100%
22	Rojo fino 3	000 ⇔ 255	0–100%
23	Verde 3	000 ⇔ 255	0–100%
24	Verde fino 3	000 ⇔ 255	0–100%
25	Azul 3	000 ⇔ 255	0–100%
26	Azul fino 3	000 ⇔ 255	0–100%
27	Ámbar 3	000 ⇔ 255	0–100%
28	Ámbar fino 3	000 ⇔ 255	0–100%
29	Blanco 3	000 ⇔ 255	0–100%
30	Blanco fino 3	000 ⇔ 255	0–100%
31	Rojo 4	000 ⇔ 255	0–100%
32	Rojo fino 4	000 ⇔ 255	0–100%
33	Verde 4	000 ⇔ 255	0–100%
34	Verde fino 4	000 ⇔ 255	0–100%
35	Azul 4	000 ⇔ 255	0–100%
36	Azul fino 4	000 ⇔ 255	0–100%
37	Ámbar 4	000 ⇔ 255	0–100%
38	Ámbar fino 4	000 ⇔ 255	0–100%
39	Blanco 4	000 ⇔ 255	0–100%
40	Blanco fino 4	000 ⇔ 255	0–100%

4 Cell RGBAW EXT (35 canales)

Canal	Función	Valor	Porcentaje/Configuración
1	Atenuador	000 ⇔ 255	0–100%
2	Atenuador fino	000 ⇔ 255	0–100%
3	Rojo 1	000 ⇔ 255	0–100%
4	Verde 1	000 ⇔ 255	0–100%
5	Azul 1	000 ⇔ 255	0–100%
6	Ámbar 1	000 ⇔ 255	0–100%
7	Blanco 1	000 ⇔ 255	0–100%
8	Macros de color 1	000 ⇔ 255	Consulte la sección Tabla de Macro de Color
9	Temperatura de color 1	000 ⇔ 255	Consulte la sección Gráfico de temperaturas de color
10	Estroboscopio 1	000 ⇔ 009	Sin función
		010 ⇔ 099	Estroboscopio, lento a rápido
		100 ⇔ 109	Sin función
		110 ⇔ 179	Efecto relámpago, lento a rápido
		180 ⇔ 189	Sin función
		190 ⇔ 255	Estroboscopio aleatorio, lento a rápido
11	Rojo 2	000 ⇔ 255	0–100%
12	Verde 2	000 ⇔ 255	0–100%
13	Azul 2	000 ⇔ 255	0–100%
14	Ámbar 2	000 ⇔ 255	0–100%
15	Blanco 2	000 ⇔ 255	0–100%
16	Macros de color 2	000 ⇔ 255	Consulte la sección Tabla de Macro de Color
17	Temperatura de color 2	000 ⇔ 255	Consulte la sección Gráfico de temperaturas de color
18	Estroboscopio 2	000 ⇔ 009	Sin función
		010 ⇔ 099	Estroboscopio, lento a rápido
		100 ⇔ 109	Sin función
		110 ⇔ 179	Efecto relámpago, lento a rápido
		180 ⇔ 189	Sin función
		190 ⇔ 255	Estroboscopio aleatorio, lento a rápido
19	Rojo 3	000 ⇔ 255	0–100%
20	Verde 3	000 ⇔ 255	0–100%
21	Azul 3	000 ⇔ 255	0–100%
22	Ámbar 3	000 ⇔ 255	0–100%
23	Blanco 3	000 ⇔ 255	0–100%
24	Macros de color 3	000 ⇔ 255	Consulte la sección Tabla de Macro de Color
25	Temperatura de color 3	000 ⇔ 255	Consulte la sección Gráfico de temperaturas de color
26	Estroboscopio 3	000 ⇔ 009	Sin función
		010 ⇔ 099	Estroboscopio, lento a rápido
		100 ⇔ 109	Sin función
		110 ⇔ 179	Efecto relámpago, lento a rápido
		180 ⇔ 189	Sin función
		190 ⇔ 255	Estroboscopio aleatorio, lento a rápido
27	Rojo 4	000 ⇔ 255	0–100%
28	Verde 4	000 ⇔ 255	0–100%
29	Azul 4	000 ⇔ 255	0–100%
30	Ámbar 4	000 ⇔ 255	0–100%
31	Blanco 4	000 ⇔ 255	0–100%
32	Macros de color 4	000 ⇔ 255	Consulte la sección Tabla de Macro de Color
33	Temperatura de color 4	000 ⇔ 255	Consulte la sección Gráfico de temperaturas de color
34	Estroboscopio 4	000 ⇔ 009	Sin función
		010 ⇔ 099	Estroboscopio, lento a rápido
		100 ⇔ 109	Sin función
		110 ⇔ 179	Efecto relámpago, lento a rápido
		180 ⇔ 189	Sin función
		190 ⇔ 255	Estroboscopio aleatorio, lento a rápido

Canal	Función	Valor	Porcentaje/Configuración
35	Estroboscopio todo	000 ⇔ 009	Sin función
		010 ⇔ 099	Estroboscopio, lento a rápido
		100 ⇔ 109	Sin función
		110 ⇔ 179	Efecto relámpago, lento a rápido
		180 ⇔ 189	Sin función
		190 ⇔ 255	Estroboscopio aleatorio, lento a rápido

4 Cell RGBAW (20 canales)

Canal	Función	Valor	Porcentaje/Configuración
1	Rojo 1	000 ⇔ 255	0–100%
2	Verde 1	000 ⇔ 255	0–100%
3	Azul 1	000 ⇔ 255	0–100%
4	Ámbar 1	000 ⇔ 255	0–100%
5	Blanco 1	000 ⇔ 255	0–100%
6	Rojo 2	000 ⇔ 255	0–100%
7	Verde 2	000 ⇔ 255	0–100%
8	Azul 2	000 ⇔ 255	0–100%
9	Ámbar 2	000 ⇔ 255	0–100%
10	Blanco 2	000 ⇔ 255	0–100%
11	Rojo 3	000 ⇔ 255	0–100%
12	Verde 3	000 ⇔ 255	0–100%
13	Azul 3	000 ⇔ 255	0–100%
14	Ámbar 3	000 ⇔ 255	0–100%
15	Blanco 3	000 ⇔ 255	0–100%
16	Rojo 4	000 ⇔ 255	0–100%
17	Verde 4	000 ⇔ 255	0–100%
18	Azul 4	000 ⇔ 255	0–100%
19	Ámbar 4	000 ⇔ 255	0–100%
20	Blanco 4	000 ⇔ 255	0–100%

4 Cell RGBA EXT (31 canales)

Canal	Función	Valor	Porcentaje/Configuración
1	Atenuador	000 ⇔ 255	0–100%
2	Atenuador fino	000 ⇔ 255	0–100%
3	Rojo 1	000 ⇔ 255	0–100%
4	Verde 1	000 ⇔ 255	0–100%
5	Azul 1	000 ⇔ 255	0–100%
6	Ámbar 1	000 ⇔ 255	0–100%
7	Macros de color 1	000 ⇔ 255	Consulte la sección Tabla de Macro de Color
8	Temperatura de color 1	000 ⇔ 255	Consulte la sección Gráfico de temperaturas de color
9	Estroboscopio 1	000 ⇔ 009	Sin función
		010 ⇔ 099	Estroboscopio, lento a rápido
		100 ⇔ 109	Sin función
		110 ⇔ 179	Efecto relámpago, lento a rápido
		180 ⇔ 189	Sin función
		190 ⇔ 255	Estroboscopio aleatorio, lento a rápido
10	Rojo 2	000 ⇔ 255	0–100%
11	Verde 2	000 ⇔ 255	0–100%
12	Azul 2	000 ⇔ 255	0–100%
13	Ámbar 2	000 ⇔ 255	0–100%
14	Macros de color 2	000 ⇔ 255	Consulte la sección Tabla de Macro de Color
15	Temperatura de color 2	000 ⇔ 255	Consulte la sección Gráfico de temperaturas de color

Canal	Función	Valor	Porcentaje/Configuración
16	Estroboscopio 2	000 ⇔ 009	Sin función
		010 ⇔ 099	Estroboscopio, lento a rápido
		100 ⇔ 109	Sin función
		110 ⇔ 179	Efecto relámpago, lento a rápido
		180 ⇔ 189	Sin función
		190 ⇔ 255	Estroboscopio aleatorio, lento a rápido
17	Rojo 3	000 ⇔ 255	0–100%
18	Verde 3	000 ⇔ 255	0–100%
19	Azul 3	000 ⇔ 255	0–100%
20	Ámbar 3	000 ⇔ 255	0–100%
21	Macros de color 3	000 ⇔ 255	Consulte la sección Tabla de Macro de Color
22	Temperatura de color 3	000 ⇔ 255	Consulte la sección Gráfico de temperaturas de color
23	Estroboscopio 3	000 ⇔ 009	Sin función
		010 ⇔ 099	Estroboscopio, lento a rápido
		100 ⇔ 109	Sin función
		110 ⇔ 179	Efecto relámpago, lento a rápido
		180 ⇔ 189	Sin función
		190 ⇔ 255	Estroboscopio aleatorio, lento a rápido
24	Rojo 4	000 ⇔ 255	0–100%
25	Verde 4	000 ⇔ 255	0–100%
26	Azul 4	000 ⇔ 255	0–100%
27	Ámbar 4	000 ⇔ 255	0–100%
28	Macros de color 4	000 ⇔ 255	Consulte la sección Tabla de Macro de Color
29	Temperatura de color 4	000 ⇔ 255	Consulte la sección Gráfico de temperaturas de color
30	Estroboscopio 4	000 ⇔ 009	Sin función
		010 ⇔ 099	Estroboscopio, lento a rápido
		100 ⇔ 109	Sin función
		110 ⇔ 179	Efecto relámpago, lento a rápido
		180 ⇔ 189	Sin función
		190 ⇔ 255	Estroboscopio aleatorio, lento a rápido
31	Estroboscopio todo	000 ⇔ 009	Sin función
		010 ⇔ 099	Estroboscopio, lento a rápido
		100 ⇔ 109	Sin función
		110 ⇔ 179	Efecto relámpago, lento a rápido
		180 ⇔ 189	Sin función
		190 ⇔ 255	Estroboscopio aleatorio, lento a rápido

4 Cell RGBA (16 canales)

Canal	Función	Valor	Porcentaje/Configuración
1	Rojo 1	000 ⇔ 255	0–100%
2	Verde 1	000 ⇔ 255	0–100%
3	Azul 1	000 ⇔ 255	0–100%
4	Ámbar 1	000 ⇔ 255	0–100%
5	Rojo 2	000 ⇔ 255	0–100%
6	Verde 2	000 ⇔ 255	0–100%
7	Azul 2	000 ⇔ 255	0–100%
8	Ámbar 2	000 ⇔ 255	0–100%
9	Rojo 3	000 ⇔ 255	0–100%
10	Verde 3	000 ⇔ 255	0–100%
11	Azul 3	000 ⇔ 255	0–100%
12	Ámbar 3	000 ⇔ 255	0–100%
13	Rojo 4	000 ⇔ 255	0–100%
14	Verde 4	000 ⇔ 255	0–100%
15	Azul 4	000 ⇔ 255	0–100%
16	Ámbar 4	000 ⇔ 255	0–100%

4 Cell RGB EXT (27 canales)

Canal	Función	Valor	Porcentaje/Configuración
1	Atenuador	000 ⇔ 255	0–100%
2	Atenuador fino	000 ⇔ 255	0–100%
3	Rojo 1	000 ⇔ 255	0–100%
4	Verde 1	000 ⇔ 255	0–100%
5	Azul 1	000 ⇔ 255	0–100%
6	Macros de color 1	000 ⇔ 255	Consulte la sección Tabla de Macro de Color
7	Temperatura de color 1	000 ⇔ 255	Consulte la sección Gráfico de temperaturas de color
8	Estroboscopio 1	000 ⇔ 009	Sin función
		010 ⇔ 099	Estroboscopio, lento a rápido
		100 ⇔ 109	Sin función
		110 ⇔ 179	Efecto relámpago, lento a rápido
		180 ⇔ 189	Sin función
		190 ⇔ 255	Estroboscopio aleatorio, lento a rápido
9	Rojo 2	000 ⇔ 255	0–100%
10	Verde 2	000 ⇔ 255	0–100%
11	Azul 2	000 ⇔ 255	0–100%
12	Macros de color 2	000 ⇔ 255	Consulte la sección Tabla de Macro de Color
13	Temperatura de color 2	000 ⇔ 255	Consulte la sección Gráfico de temperaturas de color
14	Estroboscopio 2	000 ⇔ 009	Sin función
		010 ⇔ 099	Estroboscopio, lento a rápido
		100 ⇔ 109	Sin función
		110 ⇔ 179	Efecto relámpago, lento a rápido
		180 ⇔ 189	Sin función
		190 ⇔ 255	Estroboscopio aleatorio, lento a rápido
15	Rojo 3	000 ⇔ 255	0–100%
16	Verde 3	000 ⇔ 255	0–100%
17	Azul 3	000 ⇔ 255	0–100%
18	Macros de color 3	000 ⇔ 255	Consulte la sección Tabla de Macro de Color
19	Temperatura de color 3	000 ⇔ 255	Consulte la sección Gráfico de temperaturas de color
20	Estroboscopio 3	000 ⇔ 009	Sin función
		010 ⇔ 099	Estroboscopio, lento a rápido
		100 ⇔ 109	Sin función
		110 ⇔ 179	Efecto relámpago, lento a rápido
		180 ⇔ 189	Sin función
		190 ⇔ 255	Estroboscopio aleatorio, lento a rápido
21	Rojo 4	000 ⇔ 255	0–100%
22	Verde 4	000 ⇔ 255	0–100%
23	Azul 4	000 ⇔ 255	0–100%
24	Macros de color 4	000 ⇔ 255	Consulte la sección Tabla de Macro de Color
25	Temperatura de color 4	000 ⇔ 255	Consulte la sección Gráfico de temperaturas de color
26	Estroboscopio 4	000 ⇔ 009	Sin función
		010 ⇔ 099	Estroboscopio, lento a rápido
		100 ⇔ 109	Sin función
		110 ⇔ 179	Efecto relámpago, lento a rápido
		180 ⇔ 189	Sin función
		190 ⇔ 255	Estroboscopio aleatorio, lento a rápido
27	Estroboscopio todo	000 ⇔ 009	Sin función
		010 ⇔ 099	Estroboscopio, lento a rápido
		100 ⇔ 109	Sin función
		110 ⇔ 179	Efecto relámpago, lento a rápido
		180 ⇔ 189	Sin función
		190 ⇔ 255	Estroboscopio aleatorio, lento a rápido

ES

4 Cell RGB (12 canales)

Canal	Función	Valor	Porcentaje/Configuración
1	Rojo 1	000 ⇔ 255	0–100%
2	Verde 1	000 ⇔ 255	0–100%
3	Azul 1	000 ⇔ 255	0–100%
4	Rojo 2	000 ⇔ 255	0–100%
5	Verde 2	000 ⇔ 255	0–100%
6	Azul 2	000 ⇔ 255	0–100%
7	Rojo 3	000 ⇔ 255	0–100%
8	Verde 3	000 ⇔ 255	0–100%
9	Azul 3	000 ⇔ 255	0–100%
10	Rojo 4	000 ⇔ 255	0–100%
11	Verde 4	000 ⇔ 255	0–100%
12	Azul 4	000 ⇔ 255	0–100%

Valores DMX de 1 celda
1 Cell RGBAW Basic (13 canales)

Canal	Función	Valor	Porcentaje/Configuración
1	Atenuador	000 ⇄ 255	0–100%
2	Atenuador fino	000 ⇄ 255	0–100%
3	Rojo	000 ⇄ 255	0–100%
4	Verde	000 ⇄ 255	0–100%
5	Azul	000 ⇄ 255	0–100%
6	Amber	000 ⇄ 255	0–100%
7	Blanco	000 ⇄ 255	0–100%
8	Macros de color	000 ⇄ 255	Consulte la sección Tabla de Macro de Color
9	Temperaturas de color	000 ⇄ 255	Consulte la sección Gráfico de temperaturas de color
10	Estroboscopio	000 ⇄ 009	Sin función
		010 ⇄ 099	Estroboscopio, lento a rápido
		100 ⇄ 109	Sin función
		110 ⇄ 179	Efecto relámpago, lento a rápido
		180 ⇄ 189	Sin función
		190 ⇄ 255	Estroboscopio aleatorio, lento a rápido
11	Programas automáticos	000 ⇄ 040	Sin función
		041 ⇄ 050	Auto1
		051 ⇄ 060	Auto2
		061 ⇄ 070	Auto3
		071 ⇄ 080	Auto4
		081 ⇄ 090	Auto5
		091 ⇄ 100	Auto6
		101 ⇄ 110	Auto7
		111 ⇄ 120	Auto8
		121 ⇄ 130	Auto9
		131 ⇄ 140	Auto10
		141 ⇄ 150	Programa1
		151 ⇄ 160	Programa2
		161 ⇄ 170	Programa3
		171 ⇄ 180	Programa4
		181 ⇄ 190	Programa5
		191 ⇄ 200	Programa6
201 ⇄ 210	Programa7		
211 ⇄ 220	Programa8		
221 ⇄ 230	Programa9		
231 ⇄ 240	Programa10		
12	Velocidad automática	000 ⇄ 255	Ajuste automático de velocidad de programas
13	Retraso automático	000 ⇄ 255	Ajuste automático de retraso de programas

1 Cell HSIC (9 canales)

Canal	Función	Valor	Porcentaje/Configuración
1	Atenuador	000 ⇔ 255	0–100%
2	Tono	000 ⇔ 255	0–100%
3	Tono fino	000 ⇔ 255	0–100%
4	Saturación	000 ⇔ 255	0–100%
5	Estroboscopio	000 ⇔ 009	Sin función
		010 ⇔ 099	Estroboscopio, lento a rápido
		100 ⇔ 109	Sin función
		110 ⇔ 179	Efecto relámpago, lento a rápido
		180 ⇔ 189	Sin función
		190 ⇔ 255	Estroboscopio aleatorio, lento a rápido
6	Macros de color	000 ⇔ 255	Consulte la sección Tabla de Macro de Color
7	Temperaturas de color	000 ⇔ 255	Consulte la sección Gráfico de temperaturas de color
8	Velocidad de atenuador	000 ⇔ 009	Ajuste de la velocidad del atenuador desde la pantalla
		010 ⇔ 029	Modo velocidad del atenuador desactivado
		030 ⇔ 069	Velocidad de atenuador 1 (rápida)
		070 ⇔ 129	Velocidad de atenuador 2
		130 ⇔ 189	Velocidad de atenuador 3
		190 ⇔ 255	Velocidad de atenuador 4 (lenta)
9	Saturación de GN	000 ⇔ 010	Sin función
		011 ⇔ 029	Completo menos verde
		030 ⇔ 069	-99% a -1%
		070 ⇔ 129	Sin función
		130 ⇔ 189	1% a 99%
		190 ⇔ 255	Completo mas verde

1 Cell RGBAW FUL (16 canales)

Canal	Función	Valor	Porcentaje/Configuración
1	Atenuador	000 ⇔ 255	0–100%
2	Atenuador fino	000 ⇔ 255	0–100%
3	Rojo	000 ⇔ 255	0–100%
4	Rojo fino	000 ⇔ 255	0–100%
5	Verde	000 ⇔ 255	0–100%
6	Verde fino	000 ⇔ 255	0–100%
7	Azul	000 ⇔ 255	0–100%
8	Azul fino	000 ⇔ 255	0–100%
9	Ámbar	000 ⇔ 255	0–100%
10	Ámbar fino	000 ⇔ 255	0–100%
11	Blanco	000 ⇔ 255	0–100%
12	Blanco fino	000 ⇔ 255	0–100%
13	Macros de color	000 ⇔ 255	Consulte la sección Tabla de Macro de Color
14	Temperatura de color	000 ⇔ 255	Consulte la sección Gráfico de temperaturas de color
15	Estroboscopio	000 ⇔ 009	Sin función
		010 ⇔ 099	Estroboscopio, lento a rápido
		100 ⇔ 109	Sin función
		110 ⇔ 179	Efecto relámpago, lento a rápido
		180 ⇔ 189	Sin función
		190 ⇔ 255	Estroboscopio aleatorio, lento a rápido
16	Velocidad de atenuador	000 ⇔ 009	Ajuste de la velocidad del atenuador desde la pantalla
		010 ⇔ 029	Modo velocidad del atenuador desactivado
		030 ⇔ 069	Velocidad de atenuador 1 (rápida)
		070 ⇔ 129	Velocidad de atenuador 2
		130 ⇔ 189	Velocidad de atenuador 3
		190 ⇔ 255	Velocidad de atenuador 4 (lenta)

1 Cell RGBAW FIN (10 canales)

Canal	Función	Valor	Porcentaje/Configuración
1	Rojo	000 ⇔ 255	0–100%
2	Rojo fino	000 ⇔ 255	0–100%
3	Verde	000 ⇔ 255	0–100%
4	Verde fino	000 ⇔ 255	0–100%
5	Azul	000 ⇔ 255	0–100%
6	Azul fino	000 ⇔ 255	0–100%
7	Ámbar	000 ⇔ 255	0–100%
8	Ámbar fino	000 ⇔ 255	0–100%
9	Blanco	000 ⇔ 255	0–100%
10	Blanco fino	000 ⇔ 255	0–100%

1 Cell RGBAW EXT (10 canales)

Canal	Función	Valor	Porcentaje/Configuración
1	Atenuador	000 ⇔ 255	0–100%
2	Atenuador fino	000 ⇔ 255	0–100%
3	Rojo	000 ⇔ 255	0–100%
4	Verde	000 ⇔ 255	0–100%
5	Azul	000 ⇔ 255	0–100%
6	Ámbar	000 ⇔ 255	0–100%
7	Blanco	000 ⇔ 255	0–100%
8	Macros de color	000 ⇔ 255	Consulte la sección Tabla de Macro de Color
9	Temperatura de color	000 ⇔ 255	Consulte la sección Gráfico de temperaturas de color
10	Estroboscopio	000 ⇔ 009	Sin función
		010 ⇔ 099	Estroboscopio, lento a rápido
		100 ⇔ 109	Sin función
		110 ⇔ 179	Efecto relámpago, lento a rápido
		180 ⇔ 189	Sin función
		190 ⇔ 255	Estroboscopio aleatorio, lento a rápido

1 Cell RGBAW (5 canales)

Canal	Función	Valor	Porcentaje/Configuración
1	Rojo	000 ⇔ 255	0–100%
2	Verde	000 ⇔ 255	0–100%
3	Azul	000 ⇔ 255	0–100%
4	Ámbar	000 ⇔ 255	0–100%
5	Blanco	000 ⇔ 255	0–100%

1 Cell RGBA EXT (9 canales)

Canal	Función	Valor	Porcentaje/Configuración
1	Atenuador	000 ⇔ 255	0–100%
2	Atenuador fino	000 ⇔ 255	0–100%
3	Rojo	000 ⇔ 255	0–100%
4	Verde	000 ⇔ 255	0–100%
5	Azul	000 ⇔ 255	0–100%
6	Ámbar	000 ⇔ 255	0–100%
7	Macros de color	000 ⇔ 255	Consulte la sección Tabla de Macro de Color
8	Temperatura de color	000 ⇔ 255	Consulte la sección Gráfico de temperaturas de color
9	Estroboscopio	000 ⇔ 009	Sin función
		010 ⇔ 099	Estroboscopio, lento a rápido
		100 ⇔ 109	Sin función
		110 ⇔ 179	Efecto relámpago, lento a rápido
		180 ⇔ 189	Sin función
		190 ⇔ 255	Estroboscopio aleatorio, lento a rápido

ES

1 Cell RGBA (4 canales)

Canal	Función	Valor	Porcentaje/Configuración
1	Rojo	000 ⇔ 255	0–100%
2	Verde	000 ⇔ 255	0–100%
3	Azul	000 ⇔ 255	0–100%
4	Ámbar	000 ⇔ 255	0–100%

1 Cell RGB EXT (8 canales)

Canal	Función	Valor	Porcentaje/Configuración
1	Atenuador	000 ⇔ 255	0–100%
2	Atenuador fino	000 ⇔ 255	0–100%
3	Rojo	000 ⇔ 255	0–100%
4	Verde	000 ⇔ 255	0–100%
5	Azul	000 ⇔ 255	0–100%
6	Macros de color	000 ⇔ 255	Consulte la sección Tabla de Macro de Color
7	Temperatura de color	000 ⇔ 255	Consulte la sección Gráfico de temperaturas de color
8	Estroboscopio	000 ⇔ 009	Sin función
		010 ⇔ 099	Estroboscopio, lento a rápido
		100 ⇔ 109	Sin función
		110 ⇔ 179	Efecto relámpago, lento a rápido
		180 ⇔ 189	Sin función
190 ⇔ 255	Estroboscopio aleatorio, lento a rápido		

1 Cell RGB (3 canales)

Canal	Función	Valor	Porcentaje/Configuración
1	Rojo	000 ⇔ 255	0–100%
2	Verde	000 ⇔ 255	0–100%
3	Azul	000 ⇔ 255	0–100%

À Propos de ce Manuel

Le Manuel de Référence du COLORado Solo Batten 4 (MdR) reprend des informations de base sur cet appareil notamment en matière de connexions, montage, options de menu et valeurs DMX. Télécharger le Manuel d'Utilisation sur www.chauvetprofessional.com pour de plus amples informations.

Clause de Non-Responsabilité

Les informations et caractéristiques contenues dans ce manuel sont sujettes à changement sans préavis.

GARANTIE LIMITÉE

VEUILLEZ VISITER NOTRE SITE INTERNET POUR CONSULTER LES MODALITÉS D'ENREGISTREMENT DE LA GARANTIE ET LES CONDITIONS GÉNÉRALES COMPLÈTES.

Pour les clients aux États-Unis et au Mexique: www.chauvetlighting.com/warranty-registration.

Pour les clients du Royaume-Uni, de la République d'Irlande, de la Belgique, des Pays-Bas, du Luxembourg, de la France et de l'Allemagne: www.chauvetlighting.eu/warranty-registration.

Chauvet garantit que cet appareil est exempt de défauts de matériaux et de fabrication dans des conditions normales d'utilisation, pendant la période spécifiée dans la garantie limitée complète consultable sur notre site Internet et sous réserve des exclusions et limitations qui y sont énoncées. Cette garantie ne s'applique qu'à l'acheteur initial du produit et n'est pas transférable. Pour exercer les droits prévus par cette garantie, vous devez fournir une preuve d'achat sous la forme d'un reçu de vente original d'un revendeur autorisé qui indique le nom du produit et la date d'achat. IL N'EXISTE AUCUNE AUTRE GARANTIE EXPRESSE OU IMPLICITE. Cette garantie vous confère des droits légaux spécifiques. Vous pouvez également bénéficier d'autres droits qui varient selon les états et les pays. Cette garantie n'est valable qu'aux États-Unis, au Royaume-Uni, en République d'Irlande, en Belgique, aux Pays-Bas, au Luxembourg, en France, en Allemagne et au Mexique. Pour connaître les conditions de garantie dans d'autres pays, veuillez consulter votre revendeur local.

Consignes de Sécurité

- N'ouvrez PAS cet appareil. Il ne contient aucun composant susceptible d'être réparé par l'utilisateur.
- Durant les périodes de non-utilisation, pour éviter toute usure inutile et pour prolonger la durée de vie, déconnectez entièrement l'appareil en le débranchant de l'alimentation électrique ou en coupant le disjoncteur.
- Ne regardez PAS la source lumineuse lorsque l'appareil fonctionne.
- ATTENTION : le boîtier de cet appareil est brûlant lors du fonctionnement.
- Montez toujours cet appareil dans un endroit bien ventilé, à au moins, 20 pouces (50 cm) des surfaces adjacentes.
- Ne laissez AUCUNE source inflammable dans un rayon de 50 cm de l'appareil lorsque celui-ci fonctionne.
- Attention : Lorsque l'appareil est transféré d'un environnement à température extrême à un autre (par exemple d'un camion froid vers une salle de bal chaude et humide), de la condensation peut se former sur les composants électriques internes. Pour éviter de causer des dommages, laissez l'appareil s'acclimater entièrement au milieu environnant avant de le mettre sous tension.
- Ne convient pas aux installations permanentes en extérieur sur des sites sujets à des conditions environnementales extrêmes. Cela inclut par exemple :
 - L'exposition à un environnement marin ou à une solution saline (à moins de 4,8 kilomètres d'un corps d'eau salée).
 - Lorsque les températures moyennes hautes ou basses du site dépassent les plages de températures indiquées dans ce manuel.
 - Les sites qui sont sujets aux inondations ou qui présentent un risque d'être ensevelis sous la neige.
 - Tout autre endroit où le produit risque d'être soumis à des rayonnements extrêmes ou à des substances caustiques.
- Utilisez TOUJOURS un câble de sécurité lorsque vous montez cet appareil en hauteur.
- N'immergez PAS ce produit (IP 65). Un usage normal en extérieur est autorisé.
- N'utilisez PAS cet appareil si le boîtier, les lentilles ou les câbles vous semblent endommagés.
- Ne connectez PAS cet appareil ni à un gradateur ni à un rhéostat.
- Connectez UNIQUEMENT cet appareil à un circuit protégé et relié à la terre.
- Transportez/Suspendez cet appareil UNIQUEMENT par le support de montage dont il est doté.
- En cas de sérieux problèmes de fonctionnement, arrêtez le système immédiatement.
- La température ambiante maximale supportée par ce produit est de 113 °F (45 °C). Ne le faites pas fonctionner à des températures plus élevées.
- La température de démarrage minimale est de -20°C (-4°F). Ne pas démarrer l'appareil à des températures plus basses.
- La température ambiante minimale est de -30°C (-22°F). Ne pas utiliser l'appareil à des températures plus basses.

Conformité FCC

Cet appareil est conforme à la partie 15, sous-partie B du règlement de la FCC. L'utilisation est soumise aux deux conditions suivantes:

1. Cet appareil ne doit pas causer d'interférences nuisibles, et
2. Cet appareil doit accepter toutes les interférences reçues, y compris celles pouvant entraîner un fonctionnement indésirable.

Tout changement ou modification non expressément approuvé par l'autorité responsable de la conformité pourrait annuler le droit de l'utilisateur à utiliser l'équipement.

Contact

En dehors des États-Unis, du Royaume-Uni, de l'Irlande, du Benelux, de la France, de l'Allemagne, ou du Mexique, contactez votre fournisseur si vous avez besoin d'assistance ou pour retourner un appareil. Référez-vous à [Contact Us](#) à la fin de ce MdR pour obtenir des informations pour nous contacter.

Ce Qui est Inclus

- COLORado Solo Batten 4 avec écran anti-éblouissement
- Cordon d'Alimentation Seetronic Powerkon IP65
- Filtre mur lavage
- Fixations Omega
- Manuel de Référence

Alimentation CA

Cet appareil est doté d'une alimentation universelle prenant en charge toute tension d'entrée comprise entre 100 et 240 VCA, 50/60 Hz.

Connexion Électrique

Vous pouvez connecter jusqu'à 14 COLORado Solo Batten 4 à 120 V, 24 unités à 208 V ou 26 unités à 230 V. Vous pouvez vous procurer séparément des cordons d'alimentation.

Prise CA

Connexion	Câble (États-Unis)	Câble (Europe)	Couleur de la vis
Conducteur CA	Noir	Marron	Jaune/Cuivré
Neutre CA	Blanc	Bleu	Argenté
Terre CA	Vert/Jaune	Vert/Jaune	Vert



- **Durant les périodes de non-utilisation, pour éviter toute usure inutile et pour prolonger la durée de vie, déconnectez-entièrement l'appareil en le débranchant de l'alimentation électrique ou en coupant le disjoncteur.**
- **Lors de l'utilisation de cet appareil en environnement extérieur, utilisez des câbles de d'alimentation et de données certifiés IP65 au minimum. Assurez-vous de protéger les ports d'alimentation et de données non utilisés avec les couvercles IP 65 fournis.**

Connexions du signal

Vous pouvez relier le COLORado Solo Batten 4 à un contrôleur ou à un logiciel de contrôle à l'aide d'une connexion DMX ou une connexion Ethernet. En cas d'utilisation du COLORado Solo Batten 4, conjointement avec d'autres appareils compatibles avec les protocoles Art-Net™ ou sACN, vous gardez le contrôle individuel sur un même réseau. Veuillez consulter le manuel d'utilisation pour plus d'informations sur la connexion et la configuration de l'appareil avec ces signaux.

Personnalités de contrôle

Le COLORado Solo Batten 4 utilise les protocoles DMX, Art-Net™ et sACN pour ses 18 personnalités de contrôle allant de 3 canaux à 56 canaux en mode 1 cellule et 4 cellules:

Mode	1 cellule	4 cellules
RGB	3	12
RGB EXT	8	27
RGBA	4	16
RGBA EXT	9	31
RGBAW	5	20
RGBAW EXT	10	35
RGBAW Fine	10	40
RGBAW FULL	16	56
HSIC	9	29

Connexion DMX

Le COLORado Solo Batten 4 fonctionnera avec une console DMX au moyen d'une connexion série DMX à 5 broches. Une introduction au DMX est à votre disposition sur www.chauvetprofessional.com.

Connexion Art-Net™

Art-Net™ est un protocole Ethernet par TCP/IP qui permet de transférer de grandes quantités de données DMX512 en utilisant une connexion etherCON RJ45 sur un grand réseau. Une introduction au protocole Art-Net™ est disponible sur le site internet www.chauvetprofessional.com. Chauvet Professional recommande d'utiliser le mode Unicast pour de meilleurs résultats.

Art-Net™ conçu et droit d'auteur par Artistic Licence Holdings Ltd.

Connexion sACN

Également appelé ANSI E1.31, le streaming ACN est un protocole Ethernet qui utilise les couches et le formatage de l'Architecture for Control Networks pour transporter des données DMX512 par IP ou tout autre réseau compatible ACN.

Connexion Maître/ Esclave

Le COLORado Solo Batten 4 utilise une connexion de données DMX pour son mode Maître/Esclave. Consultez le Manuel d'Utilisation pour connecter et configurer le mode de fonctionnement Maître/Esclave.

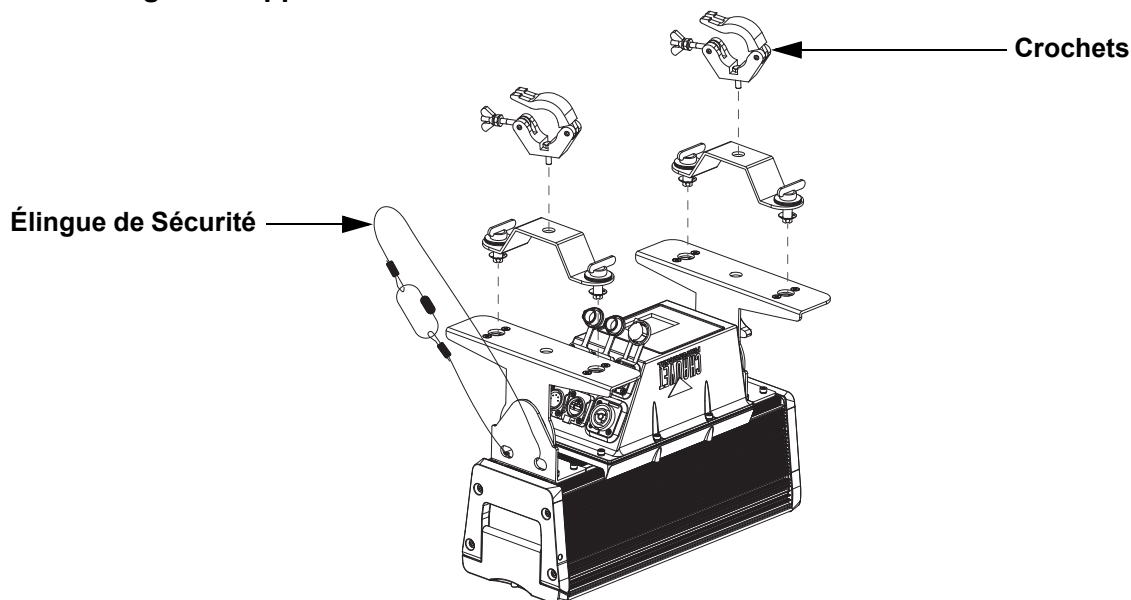
RDM (Gestion des périphériques à distance)

Le protocole RDM (gestion des périphériques à distance) est un standard pour la communication bidirectionnelle des appareils dotés de fonctions DMX dans un câblage DMX existant. Le COLORado Solo Batten 4 supporte le protocole RDM permettant un retour d'information pour la surveillance et des changements des options de menu. Veuillez télécharger le manuel de l'utilisateur à partir du site internet www.chauvetprofessional.com pour plus de détails.

Installation

Avant de monter cet appareil, lisez et assimilez les [Consignes de Sécurité](#). Utilisez au moins deux points de fixation par appareil. Soyez sûr que les crochets sont capables de supporter le poids du produit. Pour voir notre gamme de crochets, rendez-vous sur <http://trusst.com/productcategory/truss-clamps>.

Schéma de Montage de l'Appareil



Serveur web

Le serveur web de l'COLORado Solo Batten 4 peut être accédé à partir de n'importe quel ordinateur connecté sur le même réseau que l'appareil. Il permet un accès réseau aux informations systèmes et aux paramètres tels que le protocole de contrôle et l'adresse de démarrage. Il permet également de tester la sortie de couleur et de modifier le mot de passe du serveur web.

Pour accéder au serveur web:

1. Paramétrez l'adresse IP du réseau afin que le premier chiffre soit identique à celui de l'adresse IP de l'appareil.
2. Saisissez l'adresse IP de l'appareil dans la barre d'adresse d'un navigateur Internet.
3. Saisissez **admin** en tant que nom d'utilisateur et mot de passe pour vous identifier.

Description du Tableau de Commandes

Bouton	Fonction
<MENU>	Permet la sortie du menu ou de la fonction en cours
<ENTER>	Permet l'affichage du menu en cours ou permet de configurer la valeur en cours dans la fonction sélectionnée
<UP>	Permet de parcourir les listes ou les menus vers le haut, dans une fonction permet d'augmenter les valeurs numériques
<DOWN>	Permet de parcourir les listes ou les menus vers le bas, dans une fonction permet de diminuer les valeurs numériques

Code d'accès

Une fois affiché, saisissez le code d'accès suivant comme suit: <UP>, <DOWN>, <UP>, <DOWN>, <ENTER>.

Ce code ne peut pas être modifié et doit être saisi sur demande.

Gamme des Macros de Couleurs

Valeurs des Canaux DMX	Valeur Rouge	Valeur Vert	Valeur Bleu	Valeur Ambre	Valeur Blanc
000 ⇔ 010	Pas de fonction	Pas de fonction	Pas de fonction	Pas de fonction	Pas de fonction
011 ⇔ 034	100%	0–100%	0%	0%	0%
035 ⇔ 059	100–0%	100%	0%	0%	0%
060 ⇔ 084	0%	100%	0–100%	0%	0%
085 ⇔ 109	0%	100–0%	100%	0%	0%
110 ⇔ 134	0–100%	0%	100%	0%	0%
135 ⇔ 159	100%	0%	100–0%	0%	0%
160 ⇔ 184	100%	0–100%	0–100%	0%	0%
185 ⇔ 209	100–0%	100–0%	100%	0%	0%
210 ⇔ 255	100%	100%	100%	100%	100%

Gamme des températures de couleur

Valeurs des Canaux DMX	Température de Couleur
000 ⇔ 010	Pas de fonction
011 ⇔ 028	1800K
029 ⇔ 046	2200K
047 ⇔ 064	2700K
065 ⇔ 082	3000K
083 ⇔ 100	3200K
101 ⇔ 118	3500K
119 ⇔ 136	4000K
137 ⇔ 154	4200K
155 ⇔ 172	4500K
173 ⇔ 190	5600K
191 ⇔ 208	6000K
209 ⇔ 226	6500K
227 ⇔ 244	7200K
245 ⇔ 255	8000K



Les températures de couleur ci-dessus sont des rendus simulés de la sortie de couleur effectivement générée par comparaison avec une lampe tungstène à la température de couleur spécifiée. Chauvet ne donne aucune garantie sur la précision de la sortie de couleur.

Plan du Menu

Menu Principal	Niveaux de Programmation		Description	
Protocol	DMX512		Définit le protocole de contrôle	
	Art-Net			
	Art-Net to DMX			
	sACN			
Start Address	1-510*		Permet de sélectionner l'adresse de démarrage (*le canal le plus élevé est restreint à la personnalité choisie)	
Personality	1 Cell	1 Cell - RGB	3 canaux: RVB	
		1 Cell - RGB EXT	8 canaux: gradateur 16-bit, RVB, macro de couleur, température de couleur, stroboscope	
		1 Cell - RGBA	4 canaux: RVBA	
		1 Cell - RGBA EXT	9 canaux: gradateur 16-bit, RVBA, macro de couleur, température de couleur, stroboscope	
		1 Cell - RGBAW	5 canaux: RVBAB	
		1 Cell - RGBAW EXT	10 canaux: gradateur 16-bit, RVBAB, macro de couleur, température de couleur, stroboscope	
		1 Cell - RGBAW Fine	10 canaux: RVBAB 16-bit	
		1 Cell - RGBAW FULL	16 canaux: gradateur 16-bit, RVBAB 16-bit, macro de couleur, température de couleur, stroboscope, vitesse du gradation	
		1 Cell - HSIC	9 canaux: gradateur, teinte 16-bit, saturation, stroboscope, macro de couleur, température de couleur, vitesse du gradation, saturation GN	
	1 Cell - RGBAW Basic	13 canaux: gradateur 16-bit, RVBAB, macro de couleur, température de couleur, stroboscope, programmes automatiques, vitesse automatique, délai automatique		
	4 Cell	4 Cell - RGB	12 canaux (4 cellules): RVB	
		4 Cell - RGB EXT	27 canaux (4 cellules): gradateur 16-bit, RGB, macro de couleur, température de couleur, stroboscope	
		4 Cell - RGBA	16 canaux (4 cellules): RVBA	
		4 Cell - RGBA EXT	31 canaux (4 cellules): gradateur 16-bit, RVBA, macro de couleur, température de couleur, stroboscope	
		4 Cell - RGBAW	20 canaux (4 cellules): RVBAB	
		4 Cell - RGBAW EXT	35 canaux (4 cellules): gradateur 16-bit, RGBAW, macro de couleur, température de couleur, stroboscope	
		4 Cell - RGBAW Fine	40 canaux (4 cellules): RVBAB 16-bit	
		4 Cell - RGBAW FULL	56 canaux (4 cellules): gradateur 16-bit, RVBAB 16-bit, macro de couleur, température de couleur, stroboscope, vitesse du gradation	
4 Cell - HSIC		29 canaux (4 cellules): gradateur, teinte 16-bit, saturation, stroboscope, macro de couleur, température de couleur, vitesse du gradation		
Network	Net Switch	2.x.x.x	Définit le réseau sur une adresse IP prédéfinie en 2.x.x.x	
		10.x.x.x	Définit le réseau sur une adresse IP prédéfinie en 10.x.x.x	
	IP Mode	Default IP		Adresse IP par défaut
		Custom IP	-----	Définit l'adresse IP manuellement
	Universe	000-255 (Art-Net™/DMX) ou 001-256 (sACN)		Définit l'univers pour les protocoles Art-Net™ ou sACN

Menu Principal	Niveaux de Programmation			Description	
Output Setting	Power Mode			Évite de dépasser la température maximale en ajustant la intensité de sortie	
	Steady Mode			Utilise un intensité de sortie inférieur à un rythme constant pour éviter de dépasser la température maximale	
Static Colors	Preset Colors	Color 1–14	0–100%	Couleurs statiques prédéfinies	
	Color Temperature Presets	White 1–14		Températures de couleur préréglées	
	Manual Color Mixer	Red	Red 0–255	Combine les couleurs rouge, vert, bleu, ambre et blanc pour un résultat personnalisé	
		Green	Green 0–255		
		Blue	Blue 0–255		
Amber		Amber 0–255			
	White	White 0–255			
Auto Programs	Run	Auto 1–10	0–100%	Sélectionne les programmes automatiques et vitesse auto	
		User Program 1–10			
	Edit	User Program 1–10	Scene 01–30	Red 0–255	Sélectionne et édite un programme personnalisé
				Green 0–255	
				Blue 0–255	
				Amber 0–255	
White 0–255					
			Strobe 0–255		
Master/Slave	Master			Mode DMX (maître)	
	Slave			Mode esclave	
Dimmer Mode	Off			Assombrissement linéaire	
	Dimmer 1–4			Courbes de gradation Dimmer 1 (rapide) à Dimmer 4 (lent)	
LED Frequency	600Hz			Permet de sélectionner la fréquence de sortie MLI	
	1200Hz				
	2000Hz				
	4000Hz				
	6000Hz				
	25000Hz				
Cell Order	1 - 4(Left to Right)			Définit l'ordre des cellules	
	4 - 1(Right to Left)				
Settings	**** (Enter Passcode)	DMX Error/ Loss	Hold Last	En cas de perte de DMX, la dernière commande se maintiendra	
			Blackout	Met l'unité en noir général en cas de perte de DMX	
	Display Backlight Timeout	On	Affichage rétro-éclairage toujours active		
		10s	Désactive l'affichage rétro-éclairage après 10 secondes d'inactivité		
		20s	Désactive l'affichage rétro-éclairage après 20 secondes d'inactivité		
		30s	Désactive l'affichage rétro-éclairage après 30 secondes d'inactivité		
	Display Passcode	On	Verrouillage de l'affichage (le code d'accès est <UP>, <DOWN>, <UP>, <DOWN>, <ENTER>)		
Off					

Menu Principal	Niveaux de Programmation		Description
Information	Fixture Hours	---:---	Affiche le nombre total des heures, minutes et secondes du produit
	Firmware Version	V._.	Affiche la version du logiciel installée
	Device Label	Colorado Solo Batten 4	Affiche le nom du produit pour RDM
	Device UID	-----	Affiche l'ID de l'appareil
	MAC Address	-----	Affiche l'adresse MAC
Factory Reset	**** (Enter Passcode)	No	Permet de réinitialiser aux valeurs par défaut d'usine
		Yes	

Valeurs DMX à 4 cellules
4 Cell HSIC (29 canaux)

Canal	Fonction	Valeur	Pourcentage/Configuration
1	Gradateur 1	000 ⇔ 255	0–100%
2	Teinte 1	000 ⇔ 255	0–100%
3	Teinte fin 1	000 ⇔ 255	0–100%
4	Saturation 1	000 ⇔ 255	0–100%
5	Stroboscope 1	000 ⇔ 009	Pas de fonction
		010 ⇔ 099	Stroboscope, lent à rapide
		100 ⇔ 109	Pas de fonction
		110 ⇔ 179	Effet de foudre, lent à rapide
		180 ⇔ 189	Pas de fonction
		190 ⇔ 255	Stroboscope aléatoire, lent à rapide
6	Macros de couleur 1	000 ⇔ 255	Consultez la section Gamme des Macros de Couleurs
7	Températures de couleur 1	000 ⇔ 255	Consultez la section Gamme des températures de couleur
8	Gradateur 2	000 ⇔ 255	0–100%
9	Teinte 2	000 ⇔ 255	0–100%
10	Teinte fin 2	000 ⇔ 255	0–100%
11	Saturation 2	000 ⇔ 255	0–100%
12	Stroboscope 2	000 ⇔ 009	Pas de fonction
		010 ⇔ 099	Stroboscope, lent à rapide
		100 ⇔ 109	Pas de fonction
		110 ⇔ 179	Effet de foudre, lent à rapide
		180 ⇔ 189	Pas de fonction
		190 ⇔ 255	Stroboscope aléatoire, lent à rapide
13	Macros de couleur 2	000 ⇔ 255	Consultez la section Gamme des Macros de Couleurs
14	Températures de couleur 2	000 ⇔ 255	Consultez la section Gamme des températures de couleur
15	Gradateur 3	000 ⇔ 255	0–100%
16	Teinte 3	000 ⇔ 255	0–100%
17	Teinte fin 3	000 ⇔ 255	0–100%
18	Saturation 3	000 ⇔ 255	0–100%
19	Stroboscope 3	000 ⇔ 009	Pas de fonction
		010 ⇔ 099	Stroboscope, lent à rapide
		100 ⇔ 109	Pas de fonction
		110 ⇔ 179	Effet de foudre, lent à rapide
		180 ⇔ 189	Pas de fonction
		190 ⇔ 255	Stroboscope aléatoire, lent à rapide
20	Macros de couleur 3	000 ⇔ 255	Consultez la section Gamme des Macros de Couleurs
21	Températures de couleur 3	000 ⇔ 255	Consultez la section Gamme des températures de couleur
22	Gradateur 4	000 ⇔ 255	0–100%
23	Teinte 4	000 ⇔ 255	0–100%
24	Teinte fin 4	000 ⇔ 255	0–100%
25	Saturation 4	000 ⇔ 255	0–100%

Canal	Fonction	Valeur	Pourcentage/Configuration
26	Stroboscope 4	000 ⇔ 009	Pas de fonction
		010 ⇔ 099	Stroboscope, lent à rapide
		100 ⇔ 109	Pas de fonction
		110 ⇔ 179	Effet de foudre, lent à rapide
		180 ⇔ 189	Pas de fonction
		190 ⇔ 255	Stroboscope aléatoire, lent à rapide
27	Macros de couleur 4	000 ⇔ 255	Consultez la section Gamme des Macros de Couleurs
28	Températures de couleur 4	000 ⇔ 255	Consultez la section Gamme des températures de couleur
29	Vitesse du gradateur	000 ⇔ 009	Préréglage de vitesse d'assombrissement à partir du menu affichage
		010 ⇔ 029	Arrêt du mode de vitesse d'assombrissement
		030 ⇔ 069	Mode 1 de vitesse d'assombrissement (rapide)
		070 ⇔ 129	Mode 2 de vitesse d'assombrissement
		130 ⇔ 189	Mode 3 de vitesse d'assombrissement
		190 ⇔ 255	Mode 4 de vitesse d'assombrissement (lente)

4 Cell RGBAW FUL (56 canaux)

Canal	Fonction	Valeur	Pourcentage/Configuration
1	Gradateur	000 ⇔ 255	0–100%
2	Gradateur fin	000 ⇔ 255	0–100%
3	Rouge 1	000 ⇔ 255	0–100%
4	Rouge fin 1	000 ⇔ 255	0–100%
5	Vert 1	000 ⇔ 255	0–100%
6	Vert fin 1	000 ⇔ 255	0–100%
7	Bleu 1	000 ⇔ 255	0–100%
8	Bleu fin 1	000 ⇔ 255	0–100%
9	Ambre 1	000 ⇔ 255	0–100%
10	Ambre fin 1	000 ⇔ 255	0–100%
11	Blanc 1	000 ⇔ 255	0–100%
12	Blanc fin 1	000 ⇔ 255	0–100%
13	Macros de couleur 1	000 ⇔ 255	Consultez la section Gamme des Macros de Couleurs
14	Températures de couleur 1	000 ⇔ 255	Consultez la section Gamme des températures de couleur
15	Stroboscope 1	000 ⇔ 009	Pas de fonction
		010 ⇔ 099	Stroboscope, lent à rapide
		100 ⇔ 109	Pas de fonction
		110 ⇔ 179	Effet de foudre, lent à rapide
		180 ⇔ 189	Pas de fonction
		190 ⇔ 255	Stroboscope aléatoire, lent à rapide
16	Rouge 2	000 ⇔ 255	0–100%
17	Rouge fin 2	000 ⇔ 255	0–100%
18	Vert 2	000 ⇔ 255	0–100%
19	Vert fin 2	000 ⇔ 255	0–100%
20	Bleu 2	000 ⇔ 255	0–100%
21	Bleu fin 2	000 ⇔ 255	0–100%
22	Ambre 2	000 ⇔ 255	0–100%
23	Ambre fin 2	000 ⇔ 255	0–100%
24	Blanc 2	000 ⇔ 255	0–100%
25	Blanc fin 2	000 ⇔ 255	0–100%
26	Macros de couleur 2	000 ⇔ 255	Consultez la section Gamme des Macros de Couleurs
27	Températures de couleur 2	000 ⇔ 255	Consultez la section Gamme des températures de couleur
28	Stroboscope 2	000 ⇔ 009	Pas de fonction
		010 ⇔ 099	Stroboscope, lent à rapide
		100 ⇔ 109	Pas de fonction
		110 ⇔ 179	Effet de foudre, lent à rapide
		180 ⇔ 189	Pas de fonction
		190 ⇔ 255	Stroboscope aléatoire, lent à rapide
29	Rouge 3	000 ⇔ 255	0–100%

Canal	Fonction	Valeur	Pourcentage/Configuration
30	Rouge fin 3	000 ⇔ 255	0–100%
31	Vert 3	000 ⇔ 255	0–100%
32	Vert fin 3	000 ⇔ 255	0–100%
33	Bleu 3	000 ⇔ 255	0–100%
34	Bleu fin 3	000 ⇔ 255	0–100%
35	Ambre 3	000 ⇔ 255	0–100%
36	Ambre fin 3	000 ⇔ 255	0–100%
37	Blanc 3	000 ⇔ 255	0–100%
38	Blanc fin 3	000 ⇔ 255	0–100%
39	Macros de couleur 3	000 ⇔ 255	Consultez la section Gamme des Macros de Couleurs
40	Températures de couleur 3	000 ⇔ 255	Consultez la section Gamme des températures de couleur
41	Stroboscope 3	000 ⇔ 009	Pas de fonction
		010 ⇔ 099	Stroboscope, lent à rapide
		100 ⇔ 109	Pas de fonction
		110 ⇔ 179	Effet de foudre, lent à rapide
		180 ⇔ 189	Pas de fonction
		190 ⇔ 255	Stroboscope aléatoire, lent à rapide
42	Rouge 4	000 ⇔ 255	0–100%
43	Rouge fin 4	000 ⇔ 255	0–100%
44	Vert 4	000 ⇔ 255	0–100%
45	Vert fin 4	000 ⇔ 255	0–100%
46	Bleu 4	000 ⇔ 255	0–100%
47	Bleu fin 4	000 ⇔ 255	0–100%
48	Ambre 4	000 ⇔ 255	0–100%
49	Ambre fin 4	000 ⇔ 255	0–100%
50	Blanc 4	000 ⇔ 255	0–100%
51	Blanc fin 4	000 ⇔ 255	0–100%
52	Macros de couleur 4	000 ⇔ 255	Consultez la section Gamme des Macros de Couleurs
53	Températures de couleur 4	000 ⇔ 255	Consultez la section Gamme des températures de couleur
54	Stroboscope 4	000 ⇔ 009	Pas de fonction
		010 ⇔ 099	Stroboscope, lent à rapide
		100 ⇔ 109	Pas de fonction
		110 ⇔ 179	Effet de foudre, lent à rapide
		180 ⇔ 189	Pas de fonction
		190 ⇔ 255	Stroboscope aléatoire, lent à rapide
55	Stroboscope tout	000 ⇔ 009	Pas de fonction
		010 ⇔ 099	Stroboscope, lent à rapide
		100 ⇔ 109	Pas de fonction
		110 ⇔ 179	Effet de foudre, lent à rapide
		180 ⇔ 189	Pas de fonction
		190 ⇔ 255	Stroboscope aléatoire, lent à rapide
56	Vitesse du gradateur	000 ⇔ 009	Préréglage de vitesse d'assombrissement à partir du menu affichage
		010 ⇔ 029	Arrêt du mode de vitesse d'assombrissement
		030 ⇔ 069	Mode 1 de vitesse d'assombrissement (rapide)
		070 ⇔ 129	Mode 2 de vitesse d'assombrissement
		130 ⇔ 189	Mode 3 de vitesse d'assombrissement
		190 ⇔ 255	Mode 4 de vitesse d'assombrissement (lente)

FR

4 Cell RGBAW FIN (40 canaux)

Canal	Fonction	Valeur	Pourcentage/Configuration
1	Rouge 1	000 ⇔ 255	0–100%
2	Rouge fin 1	000 ⇔ 255	0–100%
3	Vert 1	000 ⇔ 255	0–100%
4	Vert fin 1	000 ⇔ 255	0–100%
5	Bleu 1	000 ⇔ 255	0–100%
6	Bleu fin 1	000 ⇔ 255	0–100%
7	Ambre 1	000 ⇔ 255	0–100%
8	Ambre fin 1	000 ⇔ 255	0–100%
9	Blanc 1	000 ⇔ 255	0–100%
10	Blanc fin 1	000 ⇔ 255	0–100%
11	Rouge 2	000 ⇔ 255	0–100%
12	Rouge fin 2	000 ⇔ 255	0–100%
13	Vert 2	000 ⇔ 255	0–100%
14	Vert fin 2	000 ⇔ 255	0–100%
15	Bleu 2	000 ⇔ 255	0–100%
16	Bleu fin 2	000 ⇔ 255	0–100%
17	Ambre 2	000 ⇔ 255	0–100%
18	Ambre fin 2	000 ⇔ 255	0–100%
19	Blanc 2	000 ⇔ 255	0–100%
20	Blanc fin 2	000 ⇔ 255	0–100%
21	Rouge 3	000 ⇔ 255	0–100%
22	Rouge fin 3	000 ⇔ 255	0–100%
23	Vert 3	000 ⇔ 255	0–100%
24	Vert fin 3	000 ⇔ 255	0–100%
25	Bleu 3	000 ⇔ 255	0–100%
26	Bleu fin 3	000 ⇔ 255	0–100%
27	Ambre 3	000 ⇔ 255	0–100%
28	Ambre fin 3	000 ⇔ 255	0–100%
29	Blanc 3	000 ⇔ 255	0–100%
30	Blanc fin 3	000 ⇔ 255	0–100%
31	Rouge 4	000 ⇔ 255	0–100%
32	Rouge fin 4	000 ⇔ 255	0–100%
33	Vert 4	000 ⇔ 255	0–100%
34	Vert fin 4	000 ⇔ 255	0–100%
35	Bleu 4	000 ⇔ 255	0–100%
36	Bleu fin 4	000 ⇔ 255	0–100%
37	Ambre 4	000 ⇔ 255	0–100%
38	Ambre fin 4	000 ⇔ 255	0–100%
39	Blanc 4	000 ⇔ 255	0–100%
40	Blanc fin 4	000 ⇔ 255	0–100%

4 Cell RGBAW EXT (35 canaux)

Canal	Fonction	Valeur	Pourcentage/Configuration
1	Gradateur	000 ⇔ 255	0–100%
2	Gradateur fin	000 ⇔ 255	0–100%
3	Rouge 1	000 ⇔ 255	0–100%
4	Vert 1	000 ⇔ 255	0–100%
5	Bleu 1	000 ⇔ 255	0–100%
6	Ambre 1	000 ⇔ 255	0–100%
7	Blanc 1	000 ⇔ 255	0–100%
8	Macros de couleur 1	000 ⇔ 255	Consultez la section Gamme des Macros de Couleurs
9	Températures de couleur 1	000 ⇔ 255	Consultez la section Gamme des températures de couleur
10	Stroboscope 1	000 ⇔ 009	Pas de fonction
		010 ⇔ 099	Stroboscope, lent à rapide
		100 ⇔ 109	Pas de fonction
		110 ⇔ 179	Effet de foudre, lent à rapide
		180 ⇔ 189	Pas de fonction
		190 ⇔ 255	Stroboscope aléatoire, lent à rapide
11	Rouge 2	000 ⇔ 255	0–100%
12	Vert 2	000 ⇔ 255	0–100%
13	Bleu 2	000 ⇔ 255	0–100%
14	Ambre 2	000 ⇔ 255	0–100%
15	Blanc 2	000 ⇔ 255	0–100%
16	Macros de couleur 2	000 ⇔ 255	Consultez la section Gamme des Macros de Couleurs
17	Températures de couleur 2	000 ⇔ 255	Consultez la section Gamme des températures de couleur
18	Stroboscope 2	000 ⇔ 009	Pas de fonction
		010 ⇔ 099	Stroboscope, lent à rapide
		100 ⇔ 109	Pas de fonction
		110 ⇔ 179	Effet de foudre, lent à rapide
		180 ⇔ 189	Pas de fonction
		190 ⇔ 255	Stroboscope aléatoire, lent à rapide
19	Rouge 3	000 ⇔ 255	0–100%
20	Vert 3	000 ⇔ 255	0–100%
21	Bleu 3	000 ⇔ 255	0–100%
22	Ambre 3	000 ⇔ 255	0–100%
23	Blanc 3	000 ⇔ 255	0–100%
24	Macros de couleur 3	000 ⇔ 255	Consultez la section Gamme des Macros de Couleurs
25	Températures de couleur 3	000 ⇔ 255	Consultez la section Gamme des températures de couleur
26	Stroboscope 3	000 ⇔ 009	Pas de fonction
		010 ⇔ 099	Stroboscope, lent à rapide
		100 ⇔ 109	Pas de fonction
		110 ⇔ 179	Effet de foudre, lent à rapide
		180 ⇔ 189	Pas de fonction
		190 ⇔ 255	Stroboscope aléatoire, lent à rapide
27	Rouge 4	000 ⇔ 255	0–100%
28	Vert 4	000 ⇔ 255	0–100%
29	Bleu 4	000 ⇔ 255	0–100%
30	Ambre 4	000 ⇔ 255	0–100%
31	Blanc 4	000 ⇔ 255	0–100%
32	Macros de couleur 4	000 ⇔ 255	Consultez la section Gamme des Macros de Couleurs
33	Températures de couleur 4	000 ⇔ 255	Consultez la section Gamme des températures de couleur
34	Stroboscope 4	000 ⇔ 009	Pas de fonction
		010 ⇔ 099	Stroboscope, lent à rapide
		100 ⇔ 109	Pas de fonction
		110 ⇔ 179	Effet de foudre, lent à rapide
		180 ⇔ 189	Pas de fonction
		190 ⇔ 255	Stroboscope aléatoire, lent à rapide

Canal	Fonction	Valeur	Pourcentage/Configuration
35	Stroboscope tout	000 ⇔ 009	Pas de fonction
		010 ⇔ 099	Stroboscope, lent à rapide
		100 ⇔ 109	Pas de fonction
		110 ⇔ 179	Effet de foudre, lent à rapide
		180 ⇔ 189	Pas de fonction
		190 ⇔ 255	Stroboscope aléatoire, lent à rapide

4 Cell RGBAW (20 canaux)

Canal	Fonction	Valeur	Pourcentage/Configuration
1	Rouge 1	000 ⇔ 255	0–100%
2	Vert 1	000 ⇔ 255	0–100%
3	Bleu 1	000 ⇔ 255	0–100%
4	Ambre 1	000 ⇔ 255	0–100%
5	Blanc 1	000 ⇔ 255	0–100%
6	Rouge 2	000 ⇔ 255	0–100%
7	Vert 2	000 ⇔ 255	0–100%
8	Bleu 2	000 ⇔ 255	0–100%
9	Ambre 2	000 ⇔ 255	0–100%
10	Blanc 2	000 ⇔ 255	0–100%
11	Rouge 3	000 ⇔ 255	0–100%
12	Vert 3	000 ⇔ 255	0–100%
13	Bleu 3	000 ⇔ 255	0–100%
14	Ambre 3	000 ⇔ 255	0–100%
15	Blanc 3	000 ⇔ 255	0–100%
16	Rouge 4	000 ⇔ 255	0–100%
17	Vert 4	000 ⇔ 255	0–100%
18	Bleu 4	000 ⇔ 255	0–100%
19	Ambre 4	000 ⇔ 255	0–100%
20	Blanc 4	000 ⇔ 255	0–100%

4 Cell RGBA EXT (31 canaux)

Canal	Fonction	Valeur	Pourcentage/Configuration
1	Gradateur	000 ⇔ 255	0–100%
2	Gradateur fin	000 ⇔ 255	0–100%
3	Rouge 1	000 ⇔ 255	0–100%
4	Vert 1	000 ⇔ 255	0–100%
5	Bleu 1	000 ⇔ 255	0–100%
6	Ambre 1	000 ⇔ 255	0–100%
7	Macros de couleur 1	000 ⇔ 255	Consultez la section Gamme des Macros de Couleurs
8	Températures de couleur 1	000 ⇔ 255	Consultez la section Gamme des températures de couleur
9	Stroboscope 1	000 ⇔ 009	Pas de fonction
		010 ⇔ 099	Stroboscope, lent à rapide
		100 ⇔ 109	Pas de fonction
		110 ⇔ 179	Effet de foudre, lent à rapide
		180 ⇔ 189	Pas de fonction
		190 ⇔ 255	Stroboscope aléatoire, lent à rapide
10	Rouge 2	000 ⇔ 255	0–100%
11	Vert 2	000 ⇔ 255	0–100%
12	Bleu 2	000 ⇔ 255	0–100%
13	Ambre 2	000 ⇔ 255	0–100%
14	Macros de couleur 2	000 ⇔ 255	Consultez la section Gamme des Macros de Couleurs
15	Températures de couleur 2	000 ⇔ 255	Consultez la section Gamme des températures de couleur
16	Stroboscope 2	000 ⇔ 009	Pas de fonction
		010 ⇔ 099	Stroboscope, lent à rapide
		100 ⇔ 109	Pas de fonction
		110 ⇔ 179	Effet de foudre, lent à rapide
		180 ⇔ 189	Pas de fonction
		190 ⇔ 255	Stroboscope aléatoire, lent à rapide
17	Rouge 3	000 ⇔ 255	0–100%
18	Vert 3	000 ⇔ 255	0–100%
19	Bleu 3	000 ⇔ 255	0–100%
20	Ambre 3	000 ⇔ 255	0–100%
21	Macros de couleur 3	000 ⇔ 255	Consultez la section Gamme des Macros de Couleurs
22	Températures de couleur 3	000 ⇔ 255	Consultez la section Gamme des températures de couleur
23	Stroboscope 3	000 ⇔ 009	Pas de fonction
		010 ⇔ 099	Stroboscope, lent à rapide
		100 ⇔ 109	Pas de fonction
		110 ⇔ 179	Effet de foudre, lent à rapide
		180 ⇔ 189	Pas de fonction
		190 ⇔ 255	Stroboscope aléatoire, lent à rapide
24	Rouge 4	000 ⇔ 255	0–100%
25	Vert 4	000 ⇔ 255	0–100%
26	Bleu 4	000 ⇔ 255	0–100%
27	Ambre 4	000 ⇔ 255	0–100%
28	Macros de couleur 4	000 ⇔ 255	Consultez la section Gamme des Macros de Couleurs
29	Températures de couleur 4	000 ⇔ 255	Consultez la section Gamme des températures de couleur
30	Stroboscope 4	000 ⇔ 009	Pas de fonction
		010 ⇔ 099	Stroboscope, lent à rapide
		100 ⇔ 109	Pas de fonction
		110 ⇔ 179	Effet de foudre, lent à rapide
		180 ⇔ 189	Pas de fonction
		190 ⇔ 255	Stroboscope aléatoire, lent à rapide
31	Stroboscope tout	000 ⇔ 009	Pas de fonction
		010 ⇔ 099	Stroboscope, lent à rapide
		100 ⇔ 109	Pas de fonction
		110 ⇔ 179	Effet de foudre, lent à rapide
		180 ⇔ 189	Pas de fonction
		190 ⇔ 255	Stroboscope aléatoire, lent à rapide

4 Cell RGBA (16 canaux)

Canal	Fonction	Valeur	Pourcentage/Configuration
1	Rouge 1	000 ⇔ 255	0–100%
2	Vert 1	000 ⇔ 255	0–100%
3	Bleu 1	000 ⇔ 255	0–100%
4	Ambre 1	000 ⇔ 255	0–100%
5	Rouge 2	000 ⇔ 255	0–100%
6	Vert 2	000 ⇔ 255	0–100%
7	Bleu 2	000 ⇔ 255	0–100%
8	Ambre 2	000 ⇔ 255	0–100%
9	Rouge 3	000 ⇔ 255	0–100%
10	Vert 3	000 ⇔ 255	0–100%
11	Bleu 3	000 ⇔ 255	0–100%
12	Ambre 3	000 ⇔ 255	0–100%
13	Rouge 4	000 ⇔ 255	0–100%
14	Vert 4	000 ⇔ 255	0–100%
15	Bleu 4	000 ⇔ 255	0–100%
16	Ambre 4	000 ⇔ 255	0–100%

4 Cell RGB EXT (27 canaux)

Canal	Fonction	Valeur	Pourcentage/Configuration
1	Gradateur	000 ⇔ 255	0–100%
2	Gradateur fin	000 ⇔ 255	0–100%
3	Rouge 1	000 ⇔ 255	0–100%
4	Vert 1	000 ⇔ 255	0–100%
5	Bleu 1	000 ⇔ 255	0–100%
6	Macros de couleur 1	000 ⇔ 255	Consultez la section Gamme des Macros de Couleurs
7	Températures de couleur 1	000 ⇔ 255	Consultez la section Gamme des températures de couleur
8	Stroboscope 1	000 ⇔ 009	Pas de fonction
		010 ⇔ 099	Stroboscope, lent à rapide
		100 ⇔ 109	Pas de fonction
		110 ⇔ 179	Effet de foudre, lent à rapide
		180 ⇔ 189	Pas de fonction
		190 ⇔ 255	Stroboscope aléatoire, lent à rapide
9	Rouge 2	000 ⇔ 255	0–100%
10	Vert 2	000 ⇔ 255	0–100%
11	Bleu 2	000 ⇔ 255	0–100%
12	Macros de couleur 2	000 ⇔ 255	Consultez la section Gamme des Macros de Couleurs
13	Températures de couleur 2	000 ⇔ 255	Consultez la section Gamme des températures de couleur
14	Stroboscope 2	000 ⇔ 009	Pas de fonction
		010 ⇔ 099	Stroboscope, lent à rapide
		100 ⇔ 109	Pas de fonction
		110 ⇔ 179	Effet de foudre, lent à rapide
		180 ⇔ 189	Pas de fonction
		190 ⇔ 255	Stroboscope aléatoire, lent à rapide
15	Rouge 3	000 ⇔ 255	0–100%
16	Vert 3	000 ⇔ 255	0–100%
17	Bleu 3	000 ⇔ 255	0–100%
18	Macros de couleur 3	000 ⇔ 255	Consultez la section Gamme des Macros de Couleurs
19	Températures de couleur 3	000 ⇔ 255	Consultez la section Gamme des températures de couleur
20	Stroboscope 3	000 ⇔ 009	Pas de fonction
		010 ⇔ 099	Stroboscope, lent à rapide
		100 ⇔ 109	Pas de fonction
		110 ⇔ 179	Effet de foudre, lent à rapide
		180 ⇔ 189	Pas de fonction
		190 ⇔ 255	Stroboscope aléatoire, lent à rapide

Canal	Fonction	Valeur	Pourcentage/Configuration
21	Rouge 4	000 ⇔ 255	0–100%
22	Vert 4	000 ⇔ 255	0–100%
23	Bleu 4	000 ⇔ 255	0–100%
24	Macros de couleur 4	000 ⇔ 255	Consultez la section Gamme des Macros de Couleurs
25	Températures de couleur 4	000 ⇔ 255	Consultez la section Gamme des températures de couleur
26	Stroboscope 4	000 ⇔ 009	Pas de fonction
		010 ⇔ 099	Stroboscope, lent à rapide
		100 ⇔ 109	Pas de fonction
		110 ⇔ 179	Effet de foudre, lent à rapide
		180 ⇔ 189	Pas de fonction
		190 ⇔ 255	Stroboscope aléatoire, lent à rapide
27	Stroboscope tout	000 ⇔ 009	Pas de fonction
		010 ⇔ 099	Stroboscope, lent à rapide
		100 ⇔ 109	Pas de fonction
		110 ⇔ 179	Effet de foudre, lent à rapide
		180 ⇔ 189	Pas de fonction
		190 ⇔ 255	Stroboscope aléatoire, lent à rapide

4 Cell RGB (12 canaux)

Canal	Fonction	Valeur	Pourcentage/Configuration
1	Rouge 1	000 ⇔ 255	0–100%
2	Vert 1	000 ⇔ 255	0–100%
3	Bleu 1	000 ⇔ 255	0–100%
4	Rouge 2	000 ⇔ 255	0–100%
5	Vert 2	000 ⇔ 255	0–100%
6	Bleu 2	000 ⇔ 255	0–100%
7	Rouge 3	000 ⇔ 255	0–100%
8	Vert 3	000 ⇔ 255	0–100%
9	Bleu 3	000 ⇔ 255	0–100%
10	Rouge 4	000 ⇔ 255	0–100%
11	Vert 4	000 ⇔ 255	0–100%
12	Bleu 4	000 ⇔ 255	0–100%

FR

DMX Valeurs à 1 cellule**1 Cell RGBAW Basic (13 canaux)**

Canal	Fonction	Valeur	Pourcentage/Configuration
1	Gradateur	000 ⇔ 255	0–100%
2	Gradateur fin	000 ⇔ 255	0–100%
3	Rouge	000 ⇔ 255	0–100%
4	Vert	000 ⇔ 255	0–100%
5	Bleu	000 ⇔ 255	0–100%
6	Ambre	000 ⇔ 255	0–100%
7	Blanc	000 ⇔ 255	0–100%
8	Stroboscope	000 ⇔ 009	Pas de fonction
		010 ⇔ 099	Stroboscope, lent à rapide
		100 ⇔ 109	Pas de fonction
		110 ⇔ 179	Effet de foudre, lent à rapide
		180 ⇔ 189	Pas de fonction
		190 ⇔ 255	Stroboscope aléatoire, lent à rapide
9	Macros de couleur	000 ⇔ 255	Consultez la section Gamme des Macros de Couleurs
10	Températures de couleur	000 ⇔ 255	Consultez la section Gamme des températures de couleur
11	Programmes automatiques	000 ⇔ 040	No fonction
		041 ⇔ 050	Auto1
		051 ⇔ 060	Auto2
		061 ⇔ 070	Auto3
		071 ⇔ 080	Auto4
		081 ⇔ 090	Auto5
		091 ⇔ 100	Auto6
		101 ⇔ 110	Auto7
		111 ⇔ 120	Auto8
		121 ⇔ 130	Auto9
		131 ⇔ 140	Auto10
		141 ⇔ 150	Program1
		151 ⇔ 160	Program2
		161 ⇔ 170	Program3
		171 ⇔ 180	Program4
		181 ⇔ 190	Program5
191 ⇔ 200	Program6		
201 ⇔ 210	Program7		
211 ⇔ 220	Program8		
221 ⇔ 230	Program9		
231 ⇔ 240	Program10		
12	Vitesse automatique	000 ⇔ 255	Réglage automatique de la vitesse du programme
13	Délai automatique	000 ⇔ 255	Réglage automatique du délai du programme

1 Cell HSIC (9 canaux)

Canal	Fonction	Valeur	Pourcentage/Configuration
1	Gradateur	000 ⇔ 255	0–100%
2	Teinte	000 ⇔ 255	0–100%
3	Teinte fin	000 ⇔ 255	0–100%
4	Saturation	000 ⇔ 255	0–100%
5	Stroboscope	000 ⇔ 009	Pas de fonction
		010 ⇔ 099	Stroboscope, lent à rapide
		100 ⇔ 109	Pas de fonction
		110 ⇔ 179	Effet de foudre, lent à rapide
		180 ⇔ 189	Pas de fonction
		190 ⇔ 255	Stroboscope aléatoire, lent à rapide
6	Macros de couleur	000 ⇔ 255	Consultez la section Gamme des Macros de Couleurs
7	Températures de couleur	000 ⇔ 255	Consultez la section Gamme des températures de couleur
8	Vitesse du gradateur	000 ⇔ 009	Préréglage de vitesse d'assombrissement à partir du menu affichage
		010 ⇔ 029	Arrêt du mode de vitesse d'assombrissement
		030 ⇔ 069	Mode 1 de vitesse d'assombrissement (rapide)
		070 ⇔ 129	Mode 2 de vitesse d'assombrissement
		130 ⇔ 189	Mode 3 de vitesse d'assombrissement
		190 ⇔ 255	Mode 4 de vitesse d'assombrissement (lente)
9	Saturation GN	000 ⇔ 010	Pas de fonction
		011 ⇔ 029	Plein moins vert
		030 ⇔ 069	-99% à -1%
		070 ⇔ 129	Pas de fonction
		130 ⇔ 189	1% to 99%
		190 ⇔ 255	Plein plus vert

1 Cell RGBAW FUL (16 canaux)

Canal	Fonction	Valeur	Pourcentage/Configuration
1	Gradateur	000 ⇔ 255	0–100%
2	Gradateur fin	000 ⇔ 255	0–100%
3	Rouge	000 ⇔ 255	0–100%
4	Rouge fin	000 ⇔ 255	0–100%
5	Vert	000 ⇔ 255	0–100%
6	Vert fin	000 ⇔ 255	0–100%
7	Bleu	000 ⇔ 255	0–100%
8	Bleu fin	000 ⇔ 255	0–100%
9	Ambre	000 ⇔ 255	0–100%
10	Ambre fin	000 ⇔ 255	0–100%
11	Blanc	000 ⇔ 255	0–100%
12	Blanc fin	000 ⇔ 255	0–100%
13	Macros de couleur	000 ⇔ 255	Consultez la section Gamme des Macros de Couleurs
14	Températures de couleur	000 ⇔ 255	Consultez la section Gamme des températures de couleur
15	Stroboscope	000 ⇔ 009	Pas de fonction
		010 ⇔ 099	Stroboscope, lent à rapide
		100 ⇔ 109	Pas de fonction
		110 ⇔ 179	Effet de foudre, lent à rapide
		180 ⇔ 189	Pas de fonction
		190 ⇔ 255	Stroboscope aléatoire, lent à rapide
16	Vitesse du gradateur	000 ⇔ 009	Préréglage de vitesse d'assombrissement à partir du menu affichage
		010 ⇔ 029	Arrêt du mode de vitesse d'assombrissement
		030 ⇔ 069	Mode 1 de vitesse d'assombrissement (rapide)
		070 ⇔ 129	Mode 2 de vitesse d'assombrissement
		130 ⇔ 189	Mode 3 de vitesse d'assombrissement
		190 ⇔ 255	Mode 4 de vitesse d'assombrissement (lente)

1 Cell RGBAW FIN (10 canaux)

Canal	Fonction	Valeur	Pourcentage/Configuration
1	Rouge	000 ⇔ 255	0–100%
2	Rouge fin	000 ⇔ 255	0–100%
3	Vert	000 ⇔ 255	0–100%
4	Vert fin	000 ⇔ 255	0–100%
5	Bleu	000 ⇔ 255	0–100%
6	Bleu fin	000 ⇔ 255	0–100%
7	Ambre	000 ⇔ 255	0–100%
8	Ambre fin	000 ⇔ 255	0–100%
9	Blanc	000 ⇔ 255	0–100%
10	Blanc fin	000 ⇔ 255	0–100%

1 Cell RGBAW EXT (10 canaux)

Canal	Fonction	Valeur	Pourcentage/Configuration
1	Gradateur	000 ⇔ 255	0–100%
2	Gradateur fin	000 ⇔ 255	0–100%
3	Rouge	000 ⇔ 255	0–100%
4	Vert	000 ⇔ 255	0–100%
5	Bleu	000 ⇔ 255	0–100%
6	Ambre	000 ⇔ 255	0–100%
7	Blanc	000 ⇔ 255	0–100%
8	Macros de couleur	000 ⇔ 255	Consultez la section Gamme des Macros de Couleurs
9	Températures de couleur	000 ⇔ 255	Consultez la section Gamme des températures de couleur
10	Stroboscope	000 ⇔ 009	Pas de fonction
		010 ⇔ 099	Stroboscope, lent à rapide
		100 ⇔ 109	Pas de fonction
		110 ⇔ 179	Effet de foudre, lent à rapide
		180 ⇔ 189	Pas de fonction
		190 ⇔ 255	Stroboscope aléatoire, lent à rapide

1 Cell RGBAW (5 canaux)

Canal	Fonction	Valeur	Pourcentage/Configuration
1	Rouge	000 ⇔ 255	0–100%
2	Vert	000 ⇔ 255	0–100%
3	Bleu	000 ⇔ 255	0–100%
4	Ambre	000 ⇔ 255	0–100%
5	Blanc	000 ⇔ 255	0–100%

1 Cell RGBA EXT (9 canaux)

Canal	Fonction	Valeur	Pourcentage/Configuration
1	Gradateur	000 ⇔ 255	0–100%
2	Gradateur fin	000 ⇔ 255	0–100%
3	Rouge	000 ⇔ 255	0–100%
4	Vert	000 ⇔ 255	0–100%
5	Bleu	000 ⇔ 255	0–100%
6	Ambre	000 ⇔ 255	0–100%
7	Macros de couleur	000 ⇔ 255	Consultez la section Gamme des Macros de Couleurs
8	Températures de couleur	000 ⇔ 255	Consultez la section Gamme des températures de couleur
9	Stroboscope	000 ⇔ 009	Pas de fonction
		010 ⇔ 099	Stroboscope, lent à rapide
		100 ⇔ 109	Pas de fonction
		110 ⇔ 179	Effet de foudre, lent à rapide
		180 ⇔ 189	Pas de fonction
		190 ⇔ 255	Stroboscope aléatoire, lent à rapide

1 Cell RGBA (4 canaux)

Canal	Fonction	Valeur	Pourcentage/Configuration
1	Rouge	000 ⇔ 255	0–100%
2	Vert	000 ⇔ 255	0–100%
3	Bleu	000 ⇔ 255	0–100%
4	Ambre	000 ⇔ 255	0–100%

1 Cell RGB EXT (8 canaux)

Canal	Fonction	Valeur	Pourcentage/Configuration
1	Gradateur	000 ⇔ 255	0–100%
2	Gradateur fin	000 ⇔ 255	0–100%
3	Rouge	000 ⇔ 255	0–100%
4	Vert	000 ⇔ 255	0–100%
5	Bleu	000 ⇔ 255	0–100%
6	Macros de couleur	000 ⇔ 255	Consultez la section Gamme des Macros de Couleurs
7	Températures de couleur	000 ⇔ 255	Consultez la section Gamme des températures de couleur
8	Stroboscope	000 ⇔ 009	Pas de fonction
		010 ⇔ 099	Stroboscope, lent à rapide
		100 ⇔ 109	Pas de fonction
		110 ⇔ 179	Effet de foudre, lent à rapide
		180 ⇔ 189	Pas de fonction
		190 ⇔ 255	Stroboscope aléatoire, lent à rapide

1 Cell RGB (3 canaux)

Canal	Fonction	Valeur	Pourcentage/Configuration
1	Rouge	000 ⇔ 255	0–100%
2	Vert	000 ⇔ 255	0–100%
3	Bleu	000 ⇔ 255	0–100%

Über diese Schnellanleitung

In der Schnellanleitung des COLORado Solo Batten 4 finden Sie die wesentlichen Produktinformationen, wie etwa über die Montage, Menüoptionen und DMX-Werte des Geräts. Laden Sie für weiterführende Informationen unter www.chauvetprofessional.com das Benutzerhandbuch herunter.

Haftungsausschluss

Die in dieser Anleitung aufgeführten Informationen und Spezifikationen können ohne vorherige Ankündigung geändert werden.

EINGESCHRÄNKTE GARANTIE

ZUR REGISTRIERUNG FÜR GARANTIEANSPRÜCHE UND ZUR EINSICHT IN DIE VOLLSTÄNDIGEN GESCHÄFTSBEDINGUNGEN BESUCHEN SIE BITTE UNSERE WEBSITE.

Für Kunden in den USA und in Mexiko: www.chauvetlighting.com/warranty-registration.

Für Kunden im Vereinigten Königreich, in Irland, Belgien, den Niederlanden, Luxemburg, Frankreich und Deutschland: www.chauvetlighting.eu/warranty-registration.

Chauvet garantiert für die in der auf unserer Website veröffentlichten vollständigen eingeschränkten Garantie genannten Dauer und unter Vorbehalt der darin genannten Haftungsausschlüsse und -beschränkungen, dass dieses Produkt bei normalen Gebrauch frei von Material- und Verarbeitungsfehlern ist. Diese Garantie erstreckt sich nur auf den Erstkäufer des Produkts und ist nicht übertragbar. Zur Ausübung der unter dieser Garantie gewährten Rechte ist der Kaufbeleg in Form der Originalrechnung von einem autorisierten Händler vorzulegen, in der die Produktbezeichnung und das Kaufdatum vermerkt sein müssen. **ES BESTEHEN KEINE WEITEREN AUSDRÜCKLICHEN ODER STILLSCHWEIGENDEN GARANTIEEN.** Diese Garantie gibt Ihnen besondere gesetzliche Rechte. Und Sie haben möglicherweise weitere Rechte, die von Land zu Land unterschiedlich sein können. Diese Garantie ist nur in den USA, im Vereinigten Königreich, in Irland, Belgien, den Niederlanden, Luxemburg, Frankreich, Deutschland und Mexiko gültig. Bezüglich der Garantiebestimmungen in anderen Ländern wenden Sie sich bitte an Ihren lokalen Händler.

Sicherheitshinweise

- Dieses Gerät NICHT öffnen. Die eingebauten Komponenten sind für den Kunden wartungsfrei.
- Um unnötigen Verschleiß zu vermeiden und die Lebensdauer des Geräts zu verlängern, trennen Sie während längerer Perioden des Nichtgebrauchs das Gerät vom Stromnetz – entweder per Trennschalter oder durch Herausziehen des Steckers aus der Steckdose.
- NIEMALS in die Lichtquelle schauen, während das Gerät eingeschaltet ist.
- VORSICHT: Das Gehäuse dieses Produkts kann während des Betriebs heiß werden. Installieren Sie das Gerät an einem Ort mit ausreichender Belüftung und mit einem Abstand von mindestens 50 cm zu den angrenzenden Flächen.
- Belassen Sie KEINE entflammaren Materialien in einem Umkreis von 50 cm dieses Geräts, während es in Betrieb oder an der Stromversorgung angeschlossen ist.
- VORSICHT: Beim Transport des Geräts von einer Umgebung mit außergewöhnlichen Temperaturen in eine andere solche Umgebung (z. B. aus einem kalten Transporter in einen warm-feuchten Ballsaal) kann an der im Gerät enthaltenen Elektronik Wasser kondensieren. Um einen Defekt zu vermeiden, muss sich das Gerät erst in der neuen Umgebung akklimatisiert haben, bevor es an die Stromversorgung angeschlossen werden kann.
- Dieses Geräts eignet sich nicht für eine permanente Installation im Außenbereich an Orten mit extremen Umweltbedingungen. Dies beinhaltet insbesondere:
 - Exposition gegenüber Meeres-/salzhaltigen Umgebungen (innerhalb von 5 km eines salzhaltigen Gewässers).
 - Orte, an denen die normalen Niedrigst- oder Höchsttemperaturen außerhalb des im Handbuch angegebenen Temperaturbereichs liegen.
 - Orte, die überflutet oder zugeschnitten werden können.
 - Sonstige Bereiche, in denen das Produkt einer großen Strahlung oder ätzenden Substanzen ausgesetzt ist.
- VERWENDEN Sie bei Montage über Kopf immer ein Sicherheitsseil.
- Dieses Gerät darf NICHT in Wasser eingetaucht werden (IP65). Eine regelmäßige Verwendung dieses Geräts im Freien ist möglich.
- NIEMALS das Gerät in Betrieb nehmen, wenn Ihnen das Gehäuse, die Linsen oder das Kabel beschädigt erscheinen.
- Schließen Sie dieses Gerät NICHT an einen Dimmer oder Regelwiderstand an.
- Schließen Sie dieses Produkt NUR an einen mit der Erde verbundenen und geschützten Stromkreis an.
- Das Gerät NUR an den Hänge-/Befestigungsbügeln oder Griffen tragen.
- Bei ernsthaften Betriebsproblemen stoppen Sie umgehend die Verwendung des Geräts.
- Die maximal zulässige Umgebungstemperatur beträgt 45 °C. Nehmen Sie das Gerät nicht bei höheren Temperaturen in Betrieb.
- Die zulässige Mindesttemperatur für den Start beträgt -20 °C. Starten Sie das Gerät nicht bei niedrigeren Temperaturen.
- Die minimal zulässige Umgebungstemperatur beträgt -30 °C. Nehmen Sie das Gerät nicht bei niedrigeren Temperaturen in Betrieb.

FCC-Konformität

Dieses Gerät erfüllt Teil 15, Teil B, der FCC-Bestimmungen. Der Betrieb ist an folgende zwei Bedingungen geknüpft:

1. Dieses Gerät darf keine schädlichen Interferenzen verursachen, und
2. Dieses Gerät muss empfangende Interferenzen aufnehmen können, auch Interferenzen, die eventuell einen unerwünschten Betrieb verursachen.

Jegliche Änderungen oder Modifikationen, die nicht ausdrücklich von der Partei genehmigt wurden, die für die Compliance zuständig ist, könnten die Berechtigung des Benutzers zum Betrieb dieses Geräts aufheben.

Kontakt

Kunden außerhalb der USA, GB, Irland, Benelux, Frankreich, Deutschland oder Mexiko wenden sich an ihren Lieferanten, um den Kundensupport in Anspruch zu nehmen oder ein Produkt zurückzuschicken. Kontaktinformationen finden Sie im [Contact Us](#) am Ende dieses QRG.

Packungsinhalt

- COLORado Solo Batten 4 mit Blendschutz
- Seetronic Powerkon IP65 Netzkabel
- Wandwaschfilter
- Omega-Hängebügel
- Schnellanleitung

Wechselstrom

Dieses Gerät verfügt über ein Vorschaltgerät, das automatisch die anliegende Spannung erkennt, sobald der Netzstecker in die Schukosteckdose gesteckt wird, und kann mit einer Eingangsspannung von 100~240 V AC, 50/60 Hz arbeiten.

Serienschaltung der Geräte

Sie können bis zu 14 COLORado Solo Batten 4-Geräte bei 120 V AC, 24 Geräte bei 208 V AC, oder 26 Geräte bei 230 V AC in Serie schalten. Diese Anzahl niemals überschreiten! Stromkabel für die Serienschaltung können separat erworben werden.

Wechselstromstecker

Anschluss	Draht (USA)	Draht (Europa)	Schraubenfarbe
Stromführender AC-Leiter	Schwarz	Braun	Gelb/Messingfarben
AC-Neutralleiter	Weiß	Blau	Silber
AC-Erdungsleiter	Grün/Gelb	Grün/Gelb	Grün



- **Um unnötigen Verschleiß zu vermeiden und die Lebensdauer des Geräts zu verlängern, trennen Sie während längerer Perioden des Nichtgebrauchs das Gerät vom Stromnetz – entweder per Trennschalter oder durch Herausziehen des Steckers aus der Steckdose.**
- **Vergewissern Sie sich bei einer Verwendung dieses Geräts im Außenbereich, in der die Schutzart IP65 erforderlich ist, dass Stromkabel der Schutzart IP65 (oder höher) verwendet werden und nicht genutzte Anschlüsse mit den angebrachten Abdeckungen der Schutzart IP65 gesichert werden.**

Signalanschlüsse

Sie können den COLORado Solo Batten 4 per DMX, Ethernet oder beidem mit einem Controller oder einer Controller-Software verbinden. Werden an de mit Art-Net™, und sACN, kompatible Produkte zusammen mit dem COLORado Solo Batten 4 verwendet, können Sie jedes der Produkte innerhalb eines einzigen Netzwerks ansteuern. Informationen zum Anschließen und Konfigurieren des Produkts für diese Signale finden Sie in der Bedienungsanleitung.

Steuerungsmodi

Der COLORado Solo Batten 4 nutzt, DMX, Art-Net™, und sACN zur Steuerung seiner 18 Kontrollpersönlichkeiten reichen von 3-Kanal bis 56-Kanal in 1-Zellen-Modi und 4-Zellen-Modi:

Modus	1-Zelle	4-Zellen
RGB	3	12
RGB EXT	8	27
RGBA	4	16
RGBA EXT	9	31
RGBAW	5	20
RGBAW EXT	10	35
RGBAW Fine	10	40
RGBAW FULL	16	56
HSIC	9	29

DMX-Anschluss

Der COLORado Solo Batten 4 kann mit einem DMX-Controller betrieben werden, wenn eine 5-polige DMX-Serienschaltung zum Einsatz kommt. Sie können sich eine Einführung in DMX unter www.chauvetprofessional.com herunterladen.

Art-Net™-Verbindung

Art-Net™ ist ein Ethernet-Protokoll, das mit TCP/IP eine große Menge an DMX512-Daten über ein großes Netzwerk an eine Neutrik® etherCON® RJ45-Verbindung überträgt. Das Dokument des Art-Net™-Protokolls können Sie unter www.chauvetprofessional.com herunterladen. Chauvet Professional empfiehlt für beste Ergebnisse die Verwendung von unicast Art-Net™.

Art-Net™-Design und -Copyright Artistic Licence Holdings Ltd.

sACN-Verbindung

Das auch als ANSI E1.31 bekannte Streaming-ACN ist ein Ethernet-Protokoll, das auf das Layering und die Formatierung von Architecture for Control Networks zurückgreift, um DMX512-Daten "over IP" oder ein anderes mit ACN kompatibles Netzwerk übermittelt.

Master/Slave-Schaltung

Der COLORado Solo Batten 4 verwendet für seinen Master/Slave-Modus eine DMX-Datenverbindung. Informationen zum Anschließen und Konfigurieren des Geräts für einen Master/Slave-Betrieb finden Sie in der Bedienungsanleitung.

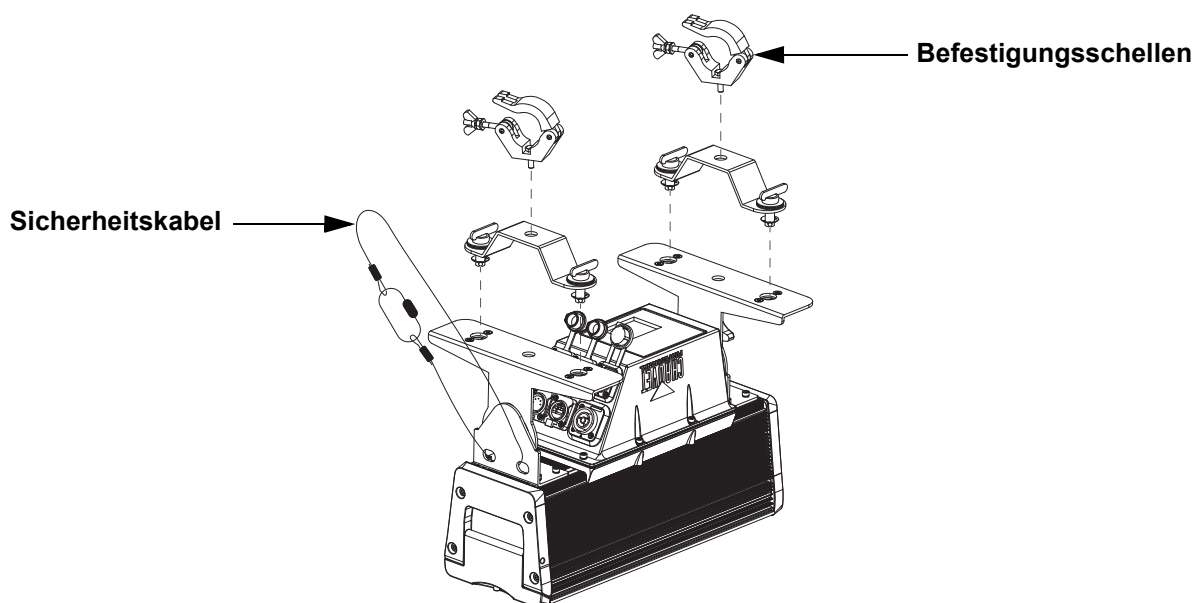
RDM (Remote Device Management)

Remote Device Management bzw. RDM ist ein Standard, mit dem DMX-aktivierte Geräte bidirektional entlang bestehender DMX-Kabel kommunizieren können. Lesen Sie die Bedienungsanleitung des DMX-Controllers oder wenden Sie sich an den Hersteller, da nicht alle DMX-Controller über diese Funktion verfügt. Der COLORado Solo Batten 4 unterstützt das RDM-Protokoll, das ein Feedback zur Vornahme von Änderungen der Menüoptionen erlaubt. Laden Sie für weiterführende Informationen unter www.chauvetprofessional.com das Benutzerhandbuch herunter.

Montage

Lesen Sie vor der Montage dieses Geräts die [Sicherheitshinweise](#) durch. Mindestens zwei Befestigungspunkt pro Gerät verwenden. Stellen Sie sicher, dass die Befestigungsklemmen dafür ausgelegt sind, das Produktgewicht tragen zu können. Informationen zu unserer CHAUVET-Produktlinie für Befestigungsklemmen finden Sie unter <http://trusst.com/productcategory/truss-clamps/>.

Montageansicht



Webserver

Der Zugriff auf den COLORado Solo Batten 4 Webserver kann von jedem Computer aus erfolgen, der sich im gleichen Netzwerk wie das Gerät befindet. Er erlaubt einen Netzwerkzugriff auf Systeminformationen, Einstellungen wie das Steuerungsprotokoll und die Startadresse, die Farbausgabetestes und die Möglichkeit, das Kennwort für den Webserver zu ändern.

Zugriff auf den Webserver:

1. Stellen Sie die IP-Adresse des Netzwerks ein, damit es die gleiche erste Ziffer hat wie die IP-Adresse des Geräts.
2. Geben Sie die IP-Adresse des Geräts in die Browserleiste des Browsers ein.
3. Geben Sie zur Anmeldung sowohl Benutzername als auch Kennwort (**admin**) ein.

Beschreibung des Bedienfeldes

Taste	Funktion
<MENU>	Damit verlassen Sie das aktuelle Menü oder die Funktion.
<ENTER>	Damit wird das aktuell angezeigte Menü aktiviert oder der aktuell ausgewählte Wert einer Funktion eingestellt.
<UP>	Damit navigieren Sie sich durch die Menüpunkte nach oben oder erhöhen den numerischen Wert der entsprechenden Funktion.
<DOWN>	Damit navigieren Sie sich durch die Menüpunkte nach unten oder verringern den numerischen Wert der entsprechenden Funktion.

Sicherheitscode

Geben Sie nach der entsprechenden Aufforderung den folgenden Sicherheitscode ein, indem Sie diese Tasten betätigen: <UP>, <DOWN>, <UP>, <DOWN>, <ENTER>.

Dieser Sicherheitscode kann nicht geändert werden und ist nach entsprechender Aufforderung immer zu verwenden.

Farbmakro Wert-Tabelle

DMX-Kanal-Wert	Roter Wert	Grünwert	Blauer Wert	Bernsteinfarbwert	Weißwert
000 ⇔ 010	Keine Funktion	Keine Funktion	Keine Funktion	Keine Funktion	Keine Funktion
011 ⇔ 034	100%	0–100%	0%	0%	0%
035 ⇔ 059	100–0%	100%	0%	0%	0%
060 ⇔ 084	0%	100%	0–100%	0%	0%
085 ⇔ 109	0%	100–0%	100%	0%	0%
110 ⇔ 134	0–100%	0%	100%	0%	0%
135 ⇔ 159	100%	0%	100–0%	0%	0%
160 ⇔ 184	100%	0–100%	0–100%	0%	0%
185 ⇔ 209	100–0%	100–0%	100%	0%	0%
210 ⇔ 255	100%	100%	100%	100%	100%

Farbtemperatur-Tabelle

DMX-Kanal-Wert	Farbtemperatur
000 ⇔ 010	Keine Funktion
011 ⇔ 028	1800K
029 ⇔ 046	2200K
047 ⇔ 064	2700K
065 ⇔ 082	3000K
083 ⇔ 100	3200K
101 ⇔ 118	3500K
119 ⇔ 136	4000K
137 ⇔ 154	4200K
155 ⇔ 172	4500K
173 ⇔ 190	5600K
191 ⇔ 208	6000K
209 ⇔ 226	6500K
227 ⇔ 244	7200K
245 ⇔ 255	8000K



Die oben genannten Farbtemperaturen sind simulierte Ähnlichkeiten der Farbausgabe im Vergleich zu einer Wolframlampe mit spezifizierter Farbtemperatur. Chauvet gibt keine Gewährleistung bezüglich der Genauigkeit der Farbausgabe.

Menüstruktur

Hauptebene	Programmirebenen		Beschreibung	
Protocol	DMX512		Wählt das Steuerungsprotokoll aus	
	Art-Net			
	Art-Net to DMX			
	sACN			
Start Address	1–510*		Wählt die DMX-Adresse aus (der höchste Kanal ist auf die gewählte Eigenschaft beschränkt)	
Personality	1 Cell	1 Cell - RGB	3-Kanal: RGB	
		1 Cell - RGB EXT	8-Kanal: 16-Bit Dimmer, RGB, Farbmakro, Farbtemperatur, Stroboskopeffekt	
		1 Cell - RGBA	4-Kanal: RGBB	
		1 Cell - RGBA EXT	9-Kanal: 16-Bit Dimmer, RGBB, Farbmakro, Farbtemperatur, Stroboskopeffekt	
		1 Cell - RGBAW	5-Kanal: RGBBW	
		1 Cell - RGBAW EXT	10-Kanal: 16-Bit Dimmer, RGBBW, Farbmakro, Farbtemperatur, Stroboskopeffekt	
		1 Cell - RGBAW Fine	10-Kanal: 16-Bit RGBBW	
		1 Cell - RGBAW FULL	16-Kanal: 16-Bit Dimmer, 16-Bit RGBBW, Farbmakro, Farbtemperatur, Stroboskopeffekt, Dimmer-Geschwindigkeit	
		1 Cell - HSIC	9-Kanal: Dimmer, 16-Bit Farbtone, Farbsättigung, Stroboskopeffekt, Farbmakro, Farbtemperatur, Dimmer-Geschwindigkeit, GN-Sättigung	
	4 Cell	4 Cell	4 Cell - RGB	12-Kanal (4-Zellen): RGB
			4 Cell - RGB EXT	27-Kanal (4-Zellen): 16-Bit Dimmer, RGB, Farbmakro, Farbtemperatur, Stroboskopeffekt
			4 Cell - RGBA	16-Kanal (4-Zellen): RGBB
			4 Cell - RGBA EXT	31-Kanal (4-Zellen): 16-Bit Dimmer, RGBB, Farbmakro, Farbtemperatur, Stroboskopeffekt
			4 Cell - RGBAW	20-Kanal (4-Zellen): RGBBW
			4 Cell - RGBAW EXT	35-Kanal (4-Zellen): 16-Bit Dimmer, RGBBW, Farbmakro, Farbtemperatur, Stroboskopeffekt
			4 Cell - RGBAW Fine	40-Kanal (4-Zellen): 16-Bit RGBBW
4 Cell - RGBAW FULL			56-Kanal (4-Zellen): 16-Bit Dimmer, 16-Bit RGBBW, Farbmakro, Farbtemperatur, Stroboskopeffekt, Dimmer-Geschwindigkeit	
4 Cell - HSIC	29-Kanal (4-Zellen): Dimmer, 16-Bit Farbtone, Farbsättigung, Stroboskopeffekt, Farbmakro, Farbtemperatur, Dimmer-Geschwindigkeit			
Network	Net Switch	2.x.x.x	Legt das Netzwerk auf eine voreingestellte 2.x.x.x IP-Adresse fest	
		10.x.x.x	Legt das Netzwerk auf eine voreingestellte 10.x.x.x IP-Adresse fest	
	IP Mode	Default IP	Standard-IP-Adresse	
		Custom IP	Stellt die IP-Adresse manuell ein	
Universe	000–255 (Art-Net™/DMX) oder 001–256 (sACN)		Stellt die Umgebung für Art-Net™ oder sACN ein	

Hauptebene	Programmirebenen			Beschreibung	
Output Setting	Power Mode			Meidet übermäßig hohe Temperaturen durch Anpassung des Intensitätsausgang	
	Steady Mode			Verwendet einen niedrigeren Intensitätsausgang mit konstanter Rate, um übermäßig hohe Temperaturen zu vermeiden	
Static Colors	Preset Colors	Color 1–14	0–100%	Voreingestellte statische Farben	
	Color Temperature Presets	White 1–14		Voreingestellte Farbtemperaturen	
	Manual Color Mixer	Red	Red 0–255	Kombiniert rote, grüne, blaue, bernsteinfarbene und weiße Farben zu einer benutzerdefinierten Farbe	
		Green	Green 0–255		
		Blue	Blue 0–255		
Amber		Amber 0–255			
	White	White 0–255			
Auto Programs	Run	Auto 1–10	0–100%	Wählt das Auto-Programm und die Programm-Geschwindigkeit aus	
		User Program 1–10			
	Edit	User Program 1–10	Scene 01–30	Red 0–255	Wählt ein Benutzer-Programm und bearbeitet es
				Green 0–255	
				Blue 0–255	
				Amber 0–255	
White 0–255					
			Strobe 0–255		
Master/Slave	Master			DMX-Modus (Master)	
	Slave			Slave-Modus	
Dimmer Mode	Off			Linear dimmer	
	Dimmer 1–4			Dimmungskurven Dimmer 1 (schnell) nach Dimmer 4 (langsam)	
LED Frequency	600Hz			Stellt die PWM-Frequenz ein	
	1200Hz				
	2000Hz				
	4000Hz				
	6000Hz				
	25000Hz				
Cell Order	1 - 4(Left to Right)			Wählt die Reihenfolge der Zellen	
	4 - 1(Right to Left)				
Settings	**** (Enter Passcode)	DMX Error/ Loss	Hold Last	Geht bei Verlust der DMX-Steuerung mit dem letzten Befehl weiter	
			Blackout	Verdunkelung bei Verlust von DMX aus	
		Display Backlight Timeout	On	Hintergrundbeleuchtung der Anzeige immer an	
			10s	Damit wird die Anzeige nach 10 Sekunden Inaktivität ausgeschaltet	
			20s	Damit wird die Anzeige nach 20 Sekunden Inaktivität ausgeschaltet	
			30s	Damit wird die Anzeige nach 30 Sekunden Inaktivität ausgeschaltet	
		Display Passcode	On	Damit wird die Anzeige gesperrt (Passwort lautet <UP>, <DOWN>, <UP>, <DOWN>, <ENTER>)	
	Off				

Hauptebene	Programmirebenen		Beschreibung
Information	Fixture Hours	----- --:--	Zeigt an, wie lange das Gerät eingeschaltet gewesen ist
	Firmware Version	V_._	Zeigt die aktuelle Firmware-Version an
	Device Label	Colorado Solo Batten 4	Zeigt den Produktnamen für RDM an
	Device UID	-----	Zeigt die Geräte-UID an
	MAC Address	-----	Zeigt die MAC-Adresse
Factory Reset	**** (Enter Passcode)	No Yes	Damit stellen Sie das Gerät auf die Werkseinstellungen zurück

4-Zellen-DMX-Werte

4 Cell HSIC (29 Kanäle)

Kanal	Funktion	Wert	Prozent/Einstellung
1	Dimmer 1	000 ⇔ 255	0–100%
2	Farbton 1	000 ⇔ 255	0–100%
3	Feine Farbton 1	000 ⇔ 255	0–100%
4	Farbsättigung 1	000 ⇔ 255	0–100%
5	Stroboskop 1	000 ⇔ 009	Keine Funktion
		010 ⇔ 099	Stroboskop, von langsam nach schnell
		100 ⇔ 109	Keine Funktion
		110 ⇔ 179	Blitzeffekt, langsam nach schnell
		180 ⇔ 189	Keine Funktion
		190 ⇔ 255	Zufalls-Stroboskop, langsam nach schnell
6	Farbmakros 1	000 ⇔ 255	Siehe Farbmakro Wert-Tabelle
7	Farbtemperaturen 1	000 ⇔ 255	Siehe Farbtemperatur-Tabelle
8	Dimmer 2	000 ⇔ 255	0–100%
9	Farbton 2	000 ⇔ 255	0–100%
10	Feine Farbton 2	000 ⇔ 255	0–100%
11	Farbsättigung 2	000 ⇔ 255	0–100%
12	Stroboskop 2	000 ⇔ 009	Keine Funktion
		010 ⇔ 099	Stroboskop, von langsam nach schnell
		100 ⇔ 109	Keine Funktion
		110 ⇔ 179	Blitzeffekt, langsam nach schnell
		180 ⇔ 189	Keine Funktion
		190 ⇔ 255	Zufalls-Stroboskop, langsam nach schnell
13	Farbmakros 2	000 ⇔ 255	Siehe Farbmakro Wert-Tabelle
14	Farbtemperaturen 2	000 ⇔ 255	Siehe Farbtemperatur-Tabelle
15	Dimmer 3	000 ⇔ 255	0–100%
16	Farbton 3	000 ⇔ 255	0–100%
17	Feine Farbton 3	000 ⇔ 255	0–100%
18	Farbsättigung 3	000 ⇔ 255	0–100%
19	Stroboskop 3	000 ⇔ 009	Keine Funktion
		010 ⇔ 099	Stroboskop, von langsam nach schnell
		100 ⇔ 109	Keine Funktion
		110 ⇔ 179	Blitzeffekt, langsam nach schnell
		180 ⇔ 189	Keine Funktion
		190 ⇔ 255	Zufalls-Stroboskop, langsam nach schnell
20	Farbmakros 3	000 ⇔ 255	Siehe Farbmakro Wert-Tabelle
21	Farbtemperaturen 3	000 ⇔ 255	Siehe Farbtemperatur-Tabelle
22	Dimmer 4	000 ⇔ 255	0–100%
23	Farbton 4	000 ⇔ 255	0–100%
24	Feine Farbton 4	000 ⇔ 255	0–100%
25	Farbsättigung 4	000 ⇔ 255	0–100%

Kanal	Funktion	Wert	Prozent/Einstellung
26	Stroboskop 4	000 ⇔ 009	Keine Funktion
		010 ⇔ 099	Stroboskop, von langsam nach schnell
		100 ⇔ 109	Keine Funktion
		110 ⇔ 179	Blitzeffekt, langsam nach schnell
		180 ⇔ 189	Keine Funktion
		190 ⇔ 255	Zufalls-Stroboskop, langsam nach schnell
27	Farbmakros 4	000 ⇔ 255	Siehe Farbmakro Wert-Tabelle
28	Farbtemperaturen 4	000 ⇔ 255	Siehe Farbtemperatur-Tabelle
29	Dimmergeschwindigkeit	000 ⇔ 009	Dimmergeschwindigkeit von Anzeige eingestellt
		010 ⇔ 029	Dimmer-Geschwindigkeits-Modus aus
		030 ⇔ 069	Dimmer-Geschwindigkeits-Modus 1 (schnellste)
		070 ⇔ 129	Dimmer-Geschwindigkeits-Modus 2
		130 ⇔ 189	Dimmer-Geschwindigkeits-Modus 3
		190 ⇔ 255	Dimmer-Geschwindigkeits-Modus 4 (langsamste)

4 Cell RGBAW FUL (56 Kanäle)

Kanal	Funktion	Wert	Prozent/Einstellung
1	Dimmer	000 ⇔ 255	0–100%
2	Feine Dimmer	000 ⇔ 255	0–100%
3	Rot 1	000 ⇔ 255	0–100%
4	Feine Rot 1	000 ⇔ 255	0–100%
5	Grün 1	000 ⇔ 255	0–100%
6	Feine Grün 1	000 ⇔ 255	0–100%
7	Blau 1	000 ⇔ 255	0–100%
8	Feine Blau 1	000 ⇔ 255	0–100%
9	Bernsteinfarben 1	000 ⇔ 255	0–100%
10	Feine Bernsteinfarben 1	000 ⇔ 255	0–100%
11	Weiß 1	000 ⇔ 255	0–100%
12	Feine Weiß 1	000 ⇔ 255	0–100%
13	Farbmakros 1	000 ⇔ 255	Siehe Farbmakro Wert-Tabelle
14	Farbtemperaturen 1	000 ⇔ 255	Siehe Farbtemperatur-Tabelle
15	Stroboskop 1	000 ⇔ 009	Keine Funktion
		010 ⇔ 099	Stroboskop, von langsam nach schnell
		100 ⇔ 109	Keine Funktion
		110 ⇔ 179	Blitzeffekt, langsam nach schnell
		180 ⇔ 189	Keine Funktion
		190 ⇔ 255	Zufalls-Stroboskop, langsam nach schnell
16	Rot 2	000 ⇔ 255	0–100%
17	Feine Rot 2	000 ⇔ 255	0–100%
18	Grün 2	000 ⇔ 255	0–100%
19	Feine Grün 2	000 ⇔ 255	0–100%
20	Blau 2	000 ⇔ 255	0–100%
21	Feine Blau 2	000 ⇔ 255	0–100%
22	Bernsteinfarben 2	000 ⇔ 255	0–100%
23	Feine Bernsteinfarben 2	000 ⇔ 255	0–100%
24	Weiß 2	000 ⇔ 255	0–100%
25	Feine Weiß 2	000 ⇔ 255	0–100%
26	Farbmakros 2	000 ⇔ 255	Siehe Farbmakro Wert-Tabelle
27	Farbtemperaturen 2	000 ⇔ 255	Siehe Farbtemperatur-Tabelle
28	Stroboskop 2	000 ⇔ 009	Keine Funktion
		010 ⇔ 099	Stroboskop, von langsam nach schnell
		100 ⇔ 109	Keine Funktion
		110 ⇔ 179	Blitzeffekt, langsam nach schnell
		180 ⇔ 189	Keine Funktion
29	Rot 3	190 ⇔ 255	Zufalls-Stroboskop, langsam nach schnell
		000 ⇔ 255	0–100%

Kanal	Funktion	Wert	Prozent/Einstellung
30	Feine Rot 3	000 ⇔ 255	0–100%
31	Grün 3	000 ⇔ 255	0–100%
32	Feine Grün 3	000 ⇔ 255	0–100%
33	Blau 3	000 ⇔ 255	0–100%
34	Feine Blau 3	000 ⇔ 255	0–100%
35	Bernsteinfarben 3	000 ⇔ 255	0–100%
36	Feine Bernsteinfarben 3	000 ⇔ 255	0–100%
37	Weiß 3	000 ⇔ 255	0–100%
38	Feine Weiß 3	000 ⇔ 255	0–100%
39	Farbmakros 3	000 ⇔ 255	Siehe Farbmakro Wert-Tabelle
40	Farbtemperaturen 3	000 ⇔ 255	Siehe Farbtemperatur-Tabelle
41	Stroboskop 3	000 ⇔ 009	Keine Funktion
		010 ⇔ 099	Stroboskop, von langsam nach schnell
		100 ⇔ 109	Keine Funktion
		110 ⇔ 179	Blitzeffekt, langsam nach schnell
		180 ⇔ 189	Keine Funktion
		190 ⇔ 255	Zufalls-Stroboskop, langsam nach schnell
42	Rot 1	000 ⇔ 255	0–100%
43	Feine Rot 1	000 ⇔ 255	0–100%
44	Grün 1	000 ⇔ 255	0–100%
45	Feine Grün 1	000 ⇔ 255	0–100%
46	Blau 1	000 ⇔ 255	0–100%
47	Feine Blau 1	000 ⇔ 255	0–100%
48	Bernsteinfarben 1	000 ⇔ 255	0–100%
49	Feine Bernsteinfarben 1	000 ⇔ 255	0–100%
50	Weiß 1	000 ⇔ 255	0–100%
51	Feine Weiß 1	000 ⇔ 255	0–100%
52	Farbmakros 1	000 ⇔ 255	Siehe Farbmakro Wert-Tabelle
53	Farbtemperaturen 1	000 ⇔ 255	Siehe Farbtemperatur-Tabelle
54	Stroboskop 1	000 ⇔ 009	Keine Funktion
		010 ⇔ 099	Stroboskop, von langsam nach schnell
		100 ⇔ 109	Keine Funktion
		110 ⇔ 179	Blitzeffekt, langsam nach schnell
		180 ⇔ 189	Keine Funktion
		190 ⇔ 255	Zufalls-Stroboskop, langsam nach schnell
55	Stroboskop alle	000 ⇔ 009	Keine Funktion
		010 ⇔ 099	Stroboskop, von langsam nach schnell
		100 ⇔ 109	Keine Funktion
		110 ⇔ 179	Blitzeffekt, langsam nach schnell
		180 ⇔ 189	Keine Funktion
		190 ⇔ 255	Zufalls-Stroboskop, langsam nach schnell
56	Dimmergeschwindigkeit	000 ⇔ 009	Dimmergeschwindigkeit von Anzeige eingestellt
		010 ⇔ 029	Dimmer-Geschwindigkeits-Modus aus
		030 ⇔ 069	Dimmer-Geschwindigkeits-Modus 1 (schnellste)
		070 ⇔ 129	Dimmer-Geschwindigkeits-Modus 2
		130 ⇔ 189	Dimmer-Geschwindigkeits-Modus 3
		190 ⇔ 255	Dimmer-Geschwindigkeits-Modus 4 (langsamste)

4 Cell RGBAW FIN (40 Kanäle)

Kanal	Funktion	Wert	Prozent/Einstellung
1	Rot 1	000 ⇔ 255	0–100%
2	Feine Rot 1	000 ⇔ 255	0–100%
3	Grün 1	000 ⇔ 255	0–100%
4	Feine Grün 1	000 ⇔ 255	0–100%
5	Blau 1	000 ⇔ 255	0–100%
6	Feine Blau 1	000 ⇔ 255	0–100%
7	Bernsteinfarben 1	000 ⇔ 255	0–100%
8	Feine Bernsteinfarben 1	000 ⇔ 255	0–100%
9	Weiß 1	000 ⇔ 255	0–100%
10	Feine Weiß 1	000 ⇔ 255	0–100%
11	Rot 2	000 ⇔ 255	0–100%
12	Feine Rot 2	000 ⇔ 255	0–100%
13	Grün 2	000 ⇔ 255	0–100%
14	Feine Grün 2	000 ⇔ 255	0–100%
15	Blau 2	000 ⇔ 255	0–100%
16	Feine Blau 2	000 ⇔ 255	0–100%
17	Bernsteinfarben 2	000 ⇔ 255	0–100%
18	Feine Bernsteinfarben 2	000 ⇔ 255	0–100%
19	Weiß 2	000 ⇔ 255	0–100%
20	Feine Weiß 2	000 ⇔ 255	0–100%
21	Rot 3	000 ⇔ 255	0–100%
22	Feine Rot 3	000 ⇔ 255	0–100%
23	Grün 3	000 ⇔ 255	0–100%
24	Feine Grün 3	000 ⇔ 255	0–100%
25	Blau 3	000 ⇔ 255	0–100%
26	Feine Blau 3	000 ⇔ 255	0–100%
27	Bernsteinfarben 3	000 ⇔ 255	0–100%
28	Feine Bernsteinfarben 3	000 ⇔ 255	0–100%
29	Weiß 3	000 ⇔ 255	0–100%
30	Feine Weiß 3	000 ⇔ 255	0–100%
31	Rot 4	000 ⇔ 255	0–100%
32	Feine Rot 4	000 ⇔ 255	0–100%
33	Grün 4	000 ⇔ 255	0–100%
34	Feine Grün 4	000 ⇔ 255	0–100%
35	Blau 4	000 ⇔ 255	0–100%
36	Feine Blau 4	000 ⇔ 255	0–100%
37	Bernsteinfarben 4	000 ⇔ 255	0–100%
38	Feine Bernsteinfarben 4	000 ⇔ 255	0–100%
39	Weiß 4	000 ⇔ 255	0–100%
40	Feine Weiß 4	000 ⇔ 255	0–100%

4 Cell RGBAW EXT (35 Kanäle)

Kanal	Funktion	Wert	Prozent/Einstellung
1	Dimmer	000 ⇔ 255	0–100%
2	Feine Dimmer	000 ⇔ 255	0–100%
3	Rot 1	000 ⇔ 255	0–100%
4	Grün 1	000 ⇔ 255	0–100%
5	Blau 1	000 ⇔ 255	0–100%
6	Bernsteinfarben 1	000 ⇔ 255	0–100%
7	Weiß 1	000 ⇔ 255	0–100%
8	Farbmakros 1	000 ⇔ 255	Siehe Farbmakro Wert-Tabelle
9	Farbtemperaturen 1	000 ⇔ 255	Siehe Farbtemperatur-Tabelle
10	Stroboskop 1	000 ⇔ 009	Keine Funktion
		010 ⇔ 099	Stroboskop, von langsam nach schnell
		100 ⇔ 109	Keine Funktion
		110 ⇔ 179	Blitzeffekt, langsam nach schnell
		180 ⇔ 189	Keine Funktion
		190 ⇔ 255	Zufalls-Stroboskop, langsam nach schnell
11	Rot 2	000 ⇔ 255	0–100%
12	Grün 2	000 ⇔ 255	0–100%
13	Blau 2	000 ⇔ 255	0–100%
14	Bernsteinfarben 2	000 ⇔ 255	0–100%
15	Weiß 2	000 ⇔ 255	0–100%
16	Farbmakros 2	000 ⇔ 255	Siehe Farbmakro Wert-Tabelle
17	Farbtemperaturen 2	000 ⇔ 255	Siehe Farbtemperatur-Tabelle
18	Stroboskop 2	000 ⇔ 009	Keine Funktion
		010 ⇔ 099	Stroboskop, von langsam nach schnell
		100 ⇔ 109	Keine Funktion
		110 ⇔ 179	Blitzeffekt, langsam nach schnell
		180 ⇔ 189	Keine Funktion
		190 ⇔ 255	Zufalls-Stroboskop, langsam nach schnell
19	Rot 3	000 ⇔ 255	0–100%
20	Grün 3	000 ⇔ 255	0–100%
21	Blau 3	000 ⇔ 255	0–100%
22	Bernsteinfarben 3	000 ⇔ 255	0–100%
23	Weiß 3	000 ⇔ 255	0–100%
24	Farbmakros 3	000 ⇔ 255	Siehe Farbmakro Wert-Tabelle
25	Farbtemperaturen 3	000 ⇔ 255	Siehe Farbtemperatur-Tabelle
26	Stroboskop 3	000 ⇔ 009	Keine Funktion
		010 ⇔ 099	Stroboskop, von langsam nach schnell
		100 ⇔ 109	Keine Funktion
		110 ⇔ 179	Blitzeffekt, langsam nach schnell
		180 ⇔ 189	Keine Funktion
		190 ⇔ 255	Zufalls-Stroboskop, langsam nach schnell
27	Rot 4	000 ⇔ 255	0–100%
28	Grün 4	000 ⇔ 255	0–100%
29	Blau 4	000 ⇔ 255	0–100%
30	Bernsteinfarben 4	000 ⇔ 255	0–100%
31	Weiß 4	000 ⇔ 255	0–100%
32	Farbmakros 4	000 ⇔ 255	Siehe Farbmakro Wert-Tabelle
33	Farbtemperaturen 4	000 ⇔ 255	Siehe Farbtemperatur-Tabelle
34	Stroboskop 4	000 ⇔ 009	Keine Funktion
		010 ⇔ 099	Stroboskop, von langsam nach schnell
		100 ⇔ 109	Keine Funktion
		110 ⇔ 179	Blitzeffekt, langsam nach schnell
		180 ⇔ 189	Keine Funktion
		190 ⇔ 255	Zufalls-Stroboskop, langsam nach schnell

Kanal	Funktion	Wert	Prozent/Einstellung
35	Stroboskop alle	000 ⇔ 009	Keine Funktion
		010 ⇔ 099	Stroboskop, von langsam nach schnell
		100 ⇔ 109	Keine Funktion
		110 ⇔ 179	Blitzeffekt, langsam nach schnell
		180 ⇔ 189	Keine Funktion
		190 ⇔ 255	Zufalls-Stroboskop, langsam nach schnell

4 Cell RGBAW (20 Kanäle)

Kanal	Funktion	Wert	Prozent/Einstellung
1	Rot 1	000 ⇔ 255	0–100%
2	Grün 1	000 ⇔ 255	0–100%
3	Blau 1	000 ⇔ 255	0–100%
4	Bernsteinfarben 1	000 ⇔ 255	0–100%
5	Weiß 1	000 ⇔ 255	0–100%
6	Rot 2	000 ⇔ 255	0–100%
7	Grün 2	000 ⇔ 255	0–100%
8	Blau 2	000 ⇔ 255	0–100%
9	Bernsteinfarben 2	000 ⇔ 255	0–100%
10	Weiß 2	000 ⇔ 255	0–100%
11	Rot 3	000 ⇔ 255	0–100%
12	Grün 3	000 ⇔ 255	0–100%
13	Blau 3	000 ⇔ 255	0–100%
14	Bernsteinfarben 3	000 ⇔ 255	0–100%
15	Weiß 3	000 ⇔ 255	0–100%
16	Rot 4	000 ⇔ 255	0–100%
17	Grün 4	000 ⇔ 255	0–100%
18	Blau 4	000 ⇔ 255	0–100%
19	Bernsteinfarben 4	000 ⇔ 255	0–100%
20	Weiß 4	000 ⇔ 255	0–100%

4 Cell RGBA EXT (31 Kanäle)

Kanal	Funktion	Wert	Prozent/Einstellung
1	Dimmer	000 ⇔ 255	0–100%
2	Feine Dimmer	000 ⇔ 255	0–100%
3	Rot 1	000 ⇔ 255	0–100%
4	Grün 1	000 ⇔ 255	0–100%
5	Blau 1	000 ⇔ 255	0–100%
6	Bernsteinfarben 1	000 ⇔ 255	0–100%
7	Farbmakros 1	000 ⇔ 255	Siehe Farbmakro Wert-Tabelle
8	Farbtemperaturen 1	000 ⇔ 255	Siehe Farbtemperatur-Tabelle
9	Stroboskop 1	000 ⇔ 009	Keine Funktion
		010 ⇔ 099	Stroboskop, von langsam nach schnell
		100 ⇔ 109	Keine Funktion
		110 ⇔ 179	Blitzeffekt, langsam nach schnell
		180 ⇔ 189	Keine Funktion
		190 ⇔ 255	Zufalls-Stroboskop, langsam nach schnell
10	Rot 2	000 ⇔ 255	0–100%
11	Grün 2	000 ⇔ 255	0–100%
12	Blau 2	000 ⇔ 255	0–100%
13	Bernsteinfarben 2	000 ⇔ 255	0–100%
14	Farbmakros 2	000 ⇔ 255	Siehe Farbmakro Wert-Tabelle
15	Farbtemperaturen 2	000 ⇔ 255	Siehe Farbtemperatur-Tabelle

Kanal	Funktion	Wert	Prozent/Einstellung
16	Stroboskop 2	000 ⇔ 009	Keine Funktion
		010 ⇔ 099	Stroboskop, von langsam nach schnell
		100 ⇔ 109	Keine Funktion
		110 ⇔ 179	Blitzeffekt, langsam nach schnell
		180 ⇔ 189	Keine Funktion
		190 ⇔ 255	Zufalls-Stroboskop, langsam nach schnell
17	Rot 3	000 ⇔ 255	0–100%
18	Grün 3	000 ⇔ 255	0–100%
19	Blau 3	000 ⇔ 255	0–100%
20	Bernsteinfarben 3	000 ⇔ 255	0–100%
21	Farbmakros 3	000 ⇔ 255	Siehe Farbmakro Wert-Tabelle
22	Farbtemperaturen 3	000 ⇔ 255	Siehe Farbtemperatur-Tabelle
23	Stroboskop 3	000 ⇔ 009	Keine Funktion
		010 ⇔ 099	Stroboskop, von langsam nach schnell
		100 ⇔ 109	Keine Funktion
		110 ⇔ 179	Blitzeffekt, langsam nach schnell
		180 ⇔ 189	Keine Funktion
		190 ⇔ 255	Zufalls-Stroboskop, langsam nach schnell
24	Rot 4	000 ⇔ 255	0–100%
25	Grün 4	000 ⇔ 255	0–100%
26	Blau 4	000 ⇔ 255	0–100%
27	Bernsteinfarben 4	000 ⇔ 255	0–100%
28	Farbmakros 4	000 ⇔ 255	Siehe Farbmakro Wert-Tabelle
29	Farbtemperaturen 4	000 ⇔ 255	Siehe Farbtemperatur-Tabelle
30	Stroboskop 4	000 ⇔ 009	Keine Funktion
		010 ⇔ 099	Stroboskop, von langsam nach schnell
		100 ⇔ 109	Keine Funktion
		110 ⇔ 179	Blitzeffekt, langsam nach schnell
		180 ⇔ 189	Keine Funktion
		190 ⇔ 255	Zufalls-Stroboskop, langsam nach schnell
31	Stroboskop alle	000 ⇔ 009	Keine Funktion
		010 ⇔ 099	Stroboskop, von langsam nach schnell
		100 ⇔ 109	Keine Funktion
		110 ⇔ 179	Blitzeffekt, langsam nach schnell
		180 ⇔ 189	Keine Funktion
		190 ⇔ 255	Zufalls-Stroboskop, langsam nach schnell

4 Cell RGBA (16 Kanäle)

Kanal	Funktion	Wert	Prozent/Einstellung
1	Rot 1	000 ⇔ 255	0–100%
2	Grün 1	000 ⇔ 255	0–100%
3	Blau 1	000 ⇔ 255	0–100%
4	Bernsteinfarben 1	000 ⇔ 255	0–100%
5	Rot 2	000 ⇔ 255	0–100%
6	Grün 2	000 ⇔ 255	0–100%
7	Blau 2	000 ⇔ 255	0–100%
8	Bernsteinfarben 2	000 ⇔ 255	0–100%
9	Rot 3	000 ⇔ 255	0–100%
10	Grün 3	000 ⇔ 255	0–100%
11	Blau 3	000 ⇔ 255	0–100%
12	Bernsteinfarben 3	000 ⇔ 255	0–100%
13	Rot 4	000 ⇔ 255	0–100%
14	Grün 4	000 ⇔ 255	0–100%
15	Blau 4	000 ⇔ 255	0–100%
16	Bernsteinfarben 4	000 ⇔ 255	0–100%

4 Cell RGB EXT (27 Kanäle)

Kanal	Funktion	Wert	Prozent/Einstellung
1	Dimmer	000 ⇔ 255	0–100%
2	Feine Dimmer	000 ⇔ 255	0–100%
3	Rot 1	000 ⇔ 255	0–100%
4	Grün 1	000 ⇔ 255	0–100%
5	Blau 1	000 ⇔ 255	0–100%
6	Farbmakros 1	000 ⇔ 255	Siehe Farbmakro Wert-Tabelle
7	Farbtemperaturen 1	000 ⇔ 255	Siehe Farbtemperatur-Tabelle
8	Stroboskop 1	000 ⇔ 009	Keine Funktion
		010 ⇔ 099	Stroboskop, von langsam nach schnell
		100 ⇔ 109	Keine Funktion
		110 ⇔ 179	Blitzeffekt, langsam nach schnell
		180 ⇔ 189	Keine Funktion
		190 ⇔ 255	Zufalls-Stroboskop, langsam nach schnell
9	Rot 2	000 ⇔ 255	0–100%
10	Grün 2	000 ⇔ 255	0–100%
11	Blau 2	000 ⇔ 255	0–100%
12	Farbmakros 2	000 ⇔ 255	Siehe Farbmakro Wert-Tabelle
13	Farbtemperaturen 2	000 ⇔ 255	Siehe Farbtemperatur-Tabelle
14	Stroboskop 2	000 ⇔ 009	Keine Funktion
		010 ⇔ 099	Stroboskop, von langsam nach schnell
		100 ⇔ 109	Keine Funktion
		110 ⇔ 179	Blitzeffekt, langsam nach schnell
		180 ⇔ 189	Keine Funktion
		190 ⇔ 255	Zufalls-Stroboskop, langsam nach schnell
15	Rot 3	000 ⇔ 255	0–100%
16	Grün 3	000 ⇔ 255	0–100%
17	Blau 3	000 ⇔ 255	0–100%
18	Farbmakros 3	000 ⇔ 255	Siehe Farbmakro Wert-Tabelle
19	Farbtemperaturen 3	000 ⇔ 255	Siehe Farbtemperatur-Tabelle
20	Stroboskop 3	000 ⇔ 009	Keine Funktion
		010 ⇔ 099	Stroboskop, von langsam nach schnell
		100 ⇔ 109	Keine Funktion
		110 ⇔ 179	Blitzeffekt, langsam nach schnell
		180 ⇔ 189	Keine Funktion
		190 ⇔ 255	Zufalls-Stroboskop, langsam nach schnell

Kanal	Funktion	Wert	Prozent/Einstellung
21	Rot 4	000 ⇔ 255	0–100%
22	Grün 4	000 ⇔ 255	0–100%
23	Blau 4	000 ⇔ 255	0–100%
24	Farbmakros 4	000 ⇔ 255	Siehe Farbmakro Wert-Tabelle
25	Farbtemperaturen 4	000 ⇔ 255	Siehe Farbtemperatur-Tabelle
26	Stroboskop 4	000 ⇔ 009	Keine Funktion
		010 ⇔ 099	Stroboskop, von langsam nach schnell
		100 ⇔ 109	Keine Funktion
		110 ⇔ 179	Blitzeffekt, langsam nach schnell
		180 ⇔ 189	Keine Funktion
		190 ⇔ 255	Zufalls-Stroboskop, langsam nach schnell
27	Stroboskop alle	000 ⇔ 009	Keine Funktion
		010 ⇔ 099	Stroboskop, von langsam nach schnell
		100 ⇔ 109	Keine Funktion
		110 ⇔ 179	Blitzeffekt, langsam nach schnell
		180 ⇔ 189	Keine Funktion
		190 ⇔ 255	Zufalls-Stroboskop, langsam nach schnell

4 Cell RGB (12 Kanäle)

Kanal	Funktion	Wert	Prozent/Einstellung
1	Rot 1	000 ⇔ 255	0–100%
2	Grün 1	000 ⇔ 255	0–100%
3	Blau 1	000 ⇔ 255	0–100%
4	Rot 2	000 ⇔ 255	0–100%
5	Grün 2	000 ⇔ 255	0–100%
6	Blau 2	000 ⇔ 255	0–100%
7	Rot 3	000 ⇔ 255	0–100%
8	Grün 3	000 ⇔ 255	0–100%
9	Blau 3	000 ⇔ 255	0–100%
10	Rot 4	000 ⇔ 255	0–100%
11	Grün 4	000 ⇔ 255	0–100%
12	Blau 4	000 ⇔ 255	0–100%

1-Zellen-DMX-Wert
1 Cell RGBAW Basic (13 Kanäle)

Kanal	Funktion	Wert	Prozent/Einstellung
1	Dimmer	000 ⇔ 255	0–100%
2	Feine Dimmer	000 ⇔ 255	0–100%
3	Rot	000 ⇔ 255	0–100%
4	Grün	000 ⇔ 255	0–100%
5	Blau	000 ⇔ 255	0–100%
6	Bernsteinfarben	000 ⇔ 255	0–100%
7	Weiß	000 ⇔ 255	0–100%
8	Farbmakros	000 ⇔ 255	Siehe Farbmakro Wert-Tabelle
9	Farbtemperaturen	000 ⇔ 255	Siehe Farbtemperatur-Tabelle
10	Stroboskop	000 ⇔ 009	Keine Funktion
		010 ⇔ 099	Stroboskop, von langsam nach schnell
		100 ⇔ 109	Keine Funktion
		110 ⇔ 179	Blitzeffekt, langsam nach schnell
		180 ⇔ 189	Keine Funktion
		190 ⇔ 255	Zufalls-Stroboskop, langsam nach schnell
11	Automatische Programme	000 ⇔ 040	Keine Funktion
		041 ⇔ 050	Auto1
		051 ⇔ 060	Auto2
		061 ⇔ 070	Auto3
		071 ⇔ 080	Auto4
		081 ⇔ 090	Auto5
		091 ⇔ 100	Auto6
		101 ⇔ 110	Auto7
		111 ⇔ 120	Auto8
		121 ⇔ 130	Auto9
		131 ⇔ 140	Auto10
		141 ⇔ 150	Program1
		151 ⇔ 160	Program2
		161 ⇔ 170	Program3
		171 ⇔ 180	Program4
		181 ⇔ 190	Program5
		191 ⇔ 200	Program6
		201 ⇔ 210	Program7
		211 ⇔ 220	Program8
		221 ⇔ 230	Program9
231 ⇔ 240	Program10		
12	Auto Geschwindigkeit	000 ⇔ 255	Automatische Geschwindigkeitsanpassung
13	Auto Verzögerung	000 ⇔ 255	Automatische Einstellung der Programmverzögerung

DE

1 Cell HSIC (9 Kanäle)

Kanal	Funktion	Wert	Prozent/Einstellung
1	Dimmer	000 ⇔ 255	0–100%
2	Farbton	000 ⇔ 255	0–100%
3	Feine Farbton	000 ⇔ 255	0–100%
4	Farbsättigung	000 ⇔ 255	0–100%
5	Stroboskop	000 ⇔ 009	Keine Funktion
		010 ⇔ 099	Stroboskop, von langsam nach schnell
		100 ⇔ 109	Keine Funktion
		110 ⇔ 179	Blitzeffekt, langsam nach schnell
		180 ⇔ 189	Keine Funktion
		190 ⇔ 255	Zufalls-Stroboskop, langsam nach schnell
6	Farbmakros	000 ⇔ 255	Siehe Farbmakro Wert-Tabelle
7	Farbtemperaturen	000 ⇔ 255	Siehe Farbtemperatur-Tabelle
8	Dimmergeschwindigkeit	000 ⇔ 009	Dimmergeschwindigkeit von Anzeige eingestellt
		010 ⇔ 029	Dimmer-Geschwindigkeits-Modus aus
		030 ⇔ 069	Dimmer-Geschwindigkeits-Modus 1 (schnellste)
		070 ⇔ 129	Dimmer-Geschwindigkeits-Modus 2
		130 ⇔ 189	Dimmer-Geschwindigkeits-Modus 3
		190 ⇔ 255	Dimmer-Geschwindigkeits-Modus 4 (langsamste)
9	GN-Sättigung	000 ⇔ 010	Keine Funktion
		011 ⇔ 029	Voll minus grün
		030 ⇔ 069	-99% bis -1%
		070 ⇔ 129	Keine Funktion
		130 ⇔ 189	1% bis 99%
		190 ⇔ 255	Voll plus grün

1 Cell RGBAW FUL (16 Kanäle)

Kanal	Funktion	Wert	Prozent/Einstellung
1	Dimmer	000 ⇔ 255	0–100%
2	Feine Dimmer	000 ⇔ 255	0–100%
3	Rot	000 ⇔ 255	0–100%
4	Feine Rot	000 ⇔ 255	0–100%
5	Grün	000 ⇔ 255	0–100%
6	Feine Grün	000 ⇔ 255	0–100%
7	Blau	000 ⇔ 255	0–100%
8	Feine Blau	000 ⇔ 255	0–100%
9	Bernsteinfarben	000 ⇔ 255	0–100%
10	Feine Bernsteinfarben	000 ⇔ 255	0–100%
11	Weiß	000 ⇔ 255	0–100%
12	Feine Weiß	000 ⇔ 255	0–100%
13	Farbmakros	000 ⇔ 255	Siehe Farbmakro Wert-Tabelle
14	Farbtemperaturen	000 ⇔ 255	Siehe Farbtemperatur-Tabelle
15	Stroboskop	000 ⇔ 009	Keine Funktion
		010 ⇔ 099	Stroboskop, von langsam nach schnell
		100 ⇔ 109	Keine Funktion
		110 ⇔ 179	Blitzeffekt, langsam nach schnell
		180 ⇔ 189	Keine Funktion
		190 ⇔ 255	Zufalls-Stroboskop, langsam nach schnell
16	Dimmergeschwindigkeit	000 ⇔ 009	Dimmergeschwindigkeit von Anzeige eingestellt
		010 ⇔ 029	Dimmer-Geschwindigkeits-Modus aus
		030 ⇔ 069	Dimmer-Geschwindigkeits-Modus 1 (schnellste)
		070 ⇔ 129	Dimmer-Geschwindigkeits-Modus 2
		130 ⇔ 189	Dimmer-Geschwindigkeits-Modus 3
		190 ⇔ 255	Dimmer-Geschwindigkeits-Modus 4 (langsamste)

1 Cell RGBAW FIN (10 Kanäle)

Kanal	Funktion	Wert	Prozent/Einstellung
1	Rot	000 ⇔ 255	0–100%
2	Feine Rot	000 ⇔ 255	0–100%
3	Grün	000 ⇔ 255	0–100%
4	Feine Grün	000 ⇔ 255	0–100%
5	Blau	000 ⇔ 255	0–100%
6	Feine Blau	000 ⇔ 255	0–100%
7	Bernsteinfarben	000 ⇔ 255	0–100%
8	Feine Bernsteinfarben	000 ⇔ 255	0–100%
9	Weiß	000 ⇔ 255	0–100%
10	Feine Weiß	000 ⇔ 255	0–100%

1 Cell RGBAW EXT (10 Kanäle)

Kanal	Funktion	Wert	Prozent/Einstellung
1	Dimmer	000 ⇔ 255	0–100%
2	Feine Dimmer	000 ⇔ 255	0–100%
3	Rot	000 ⇔ 255	0–100%
4	Grün	000 ⇔ 255	0–100%
5	Blau	000 ⇔ 255	0–100%
6	Bernsteinfarben	000 ⇔ 255	0–100%
7	Weiß	000 ⇔ 255	0–100%
8	Farbmakros	000 ⇔ 255	Siehe Farbmakro Wert-Tabelle
9	Farbtemperaturen	000 ⇔ 255	Siehe Farbtemperatur-Tabelle
10	Stroboskop	000 ⇔ 009	Keine Funktion
		010 ⇔ 099	Stroboskop, von langsam nach schnell
		100 ⇔ 109	Keine Funktion
		110 ⇔ 179	Blitzeffekt, langsam nach schnell
		180 ⇔ 189	Keine Funktion
		190 ⇔ 255	Zufalls-Stroboskop, langsam nach schnell

1 Cell RGBAW (5 Kanäle)

Kanal	Funktion	Wert	Prozent/Einstellung
1	Rot	000 ⇔ 255	0–100%
2	Grün	000 ⇔ 255	0–100%
3	Blau	000 ⇔ 255	0–100%
4	Bernsteinfarben	000 ⇔ 255	0–100%
5	Weiß	000 ⇔ 255	0–100%

1 Cell RGBA EXT (9 Kanäle)

Kanal	Funktion	Wert	Prozent/Einstellung
1	Dimmer	000 ⇔ 255	0–100%
2	Feine Dimmer	000 ⇔ 255	0–100%
3	Rot	000 ⇔ 255	0–100%
4	Grün	000 ⇔ 255	0–100%
5	Blau	000 ⇔ 255	0–100%
6	Bernsteinfarben	000 ⇔ 255	0–100%
7	Farbmakros	000 ⇔ 255	Siehe Farbmakro Wert-Tabelle
8	Farbtemperaturen	000 ⇔ 255	Siehe Farbtemperatur-Tabelle
9	Stroboskop	000 ⇔ 009	Keine Funktion
		010 ⇔ 099	Stroboskop, von langsam nach schnell
		100 ⇔ 109	Keine Funktion
		110 ⇔ 179	Blitzeffekt, langsam nach schnell
		180 ⇔ 189	Keine Funktion
		190 ⇔ 255	Zufalls-Stroboskop, langsam nach schnell

1 Cell RGBA (4 Kanäle)

Kanal	Funktion	Wert	Prozent/Einstellung
1	Rot	000 ⇔ 255	0–100%
2	Grün	000 ⇔ 255	0–100%
3	Blau	000 ⇔ 255	0–100%
4	Bernsteinfarben	000 ⇔ 255	0–100%

1 Cell RGB EXT (8 Kanäle)

Kanal	Funktion	Wert	Prozent/Einstellung
1	Dimmer	000 ⇔ 255	0–100%
2	Feine Dimmer	000 ⇔ 255	0–100%
3	Rot	000 ⇔ 255	0–100%
4	Grün	000 ⇔ 255	0–100%
5	Blau	000 ⇔ 255	0–100%
6	Farbmakros	000 ⇔ 255	Siehe Farbmakro Wert-Tabelle
7	Farbtemperaturen	000 ⇔ 255	Siehe Farbtemperatur-Tabelle
8	Stroboskop	000 ⇔ 009	Keine Funktion
		010 ⇔ 099	Stroboskop, von langsam nach schnell
		100 ⇔ 109	Keine Funktion
		110 ⇔ 179	Blitzeffekt, langsam nach schnell
		180 ⇔ 189	Keine Funktion
		190 ⇔ 255	Zufalls-Stroboskop, langsam nach schnell

1 Cell RGB (3 Kanäle)

Kanal	Funktion	Wert	Prozent/Einstellung
1	Rot	000 ⇔ 255	0–100%
2	Grün	000 ⇔ 255	0–100%
3	Blau	000 ⇔ 255	0–100%

Over deze handleiding

De COLORado Solo Batten 4 Beknopte Handleiding (BH) bevat basisinformatie over het product, zoals aansluiting, montage, menu-opties en DMX-waarden. Download de gebruikershandleiding op www.chauvetprofessional.com voor meer informatie.

Disclaimer

De informatie en specificaties in deze BH kunnen zonder voorafgaande kennisgeving worden gewijzigd.

BEPERKTE GARANTIE

GA NAAR ONZE WEBSITE VOOR REGISTRATIE VAN DE GARANTIE EN DE VOLLEDIGE ALGEMENE VOORWAARDEN.

Voor klanten in de Verenigde Staten en Mexico: www.chauvetlighting.com/warranty-registration.

Voor klanten in het Verenigd Koninkrijk, Ierland, België, Nederland, Luxemburg, Frankrijk en Duitsland: www.chauvetlighting.eu/warranty-registration.

Chauvet garandeert dat dit product bij normaal gebruik vrij zal blijven van defecten in materiaal en vakmanschap, voor de opgegeven periode en onder voorbehoud van de uitzonderingen en beperkingen die zijn uiteengezet in de volledige beperkte garantie op onze website. Deze garantie geldt uitsluitend voor de oorspronkelijke koper van het product en is niet overdraagbaar. Om onder deze garantie rechten uit te oefenen, moet u een aankoopbewijs overleggen in de vorm van een origineel verkoopbewijs van een geautoriseerde dealer, waarop de naam van het product en de aankoopdatum zichtbaar zijn. ER ZIJN GEEN ANDERE EXPLICIETE OF IMPLICIETE GARANTIES. Deze garantie geeft u specifieke wettelijke rechten. Mogelijk heeft u ook andere rechten die van staat tot staat en van land tot land verschillen. Deze garantie is uitsluitend geldig in de Verenigde Staten, het Verenigd Koninkrijk, Ierland, België, Nederland, Luxemburg, Frankrijk, Duitsland en Mexico. Neem contact op met uw lokale verkoper voor garantievoorwaarden in andere landen.

Veiligheidsinstructies

- Open het product NIET. Het bevat geen te onderhouden onderdelen.
- Om onnodige slijtage te elimineren en zijn levensduur te verlengen, gedurende perioden wanneer het product niet wordt gebruikt, moet u het product van de stroom afsluiten door een aardlekschakelaar om te zetten of door het te ontkoppelen.
- KIJK NIET in de lichtbron wanneer het apparaat is ingeschakeld.
- LET OP: De behuizing van dit product kan heet zijn wanneer het in bedrijf is.
- Monteer dit product op een plek met voldoende ventilatie, ten minste 50 cm van de aangrenzende oppervlakken.
- Plaats geen ontvlambaar materiaal binnen 50 cm van dit product als het in gebruik is of is aangesloten op het stopcontact.
- LET OP: Bij het verplaatsen van het product uit extreme omgevingen, (bijv. koude vrachtwagen naar warme, vochtige balzaal) kan er condensvorming optreden op de elektronica van het product. Om storingen te vermijden moet het product volledig kunnen acclimatiseren aan de omgeving voordat het op stroom wordt aangesloten.
- Niet voor permanente buiteninstallatie in locaties met extreme weersomstandigheden. Dit is met inbegrip van, maar niet beperkt tot:
 - Blootstelling aan een marien/zout milieu (binnen 5 km van zout water).
 - Waar de gebruikelijke hoge of lage temperaturen van de locatie de temperatuurbereiken in deze handleiding overschrijden.
 - Locaties die kunnen overstromen of onder sneeuw begraven kunnen worden.
 - Andere gebieden waar het product blootstaat aan extreme straling of bijtende substanties.
- GEBRUIK een veiligheidskabel bij het boven het hoofd plaatsen van dit product.
- Dit product NIET onderdompelen (IP65). Regelmatig gebruik buitenshuis is prima.
- Gebruik dit product NIET als de behuizing, lenzen of kabels beschadigd lijken.
- Sluit dit product NIET aan op een dimmer of een regelweerstand.
- Sluit dit product UITSLUITEND op een geaard en beveiligd stroomcircuit.
- Gebruik UITSLUITEND de ophang-/montagebeugel om dit product te dragen.
- Stop in het geval van ernstige operationele problemen onmiddellijk met het gebruik.
- De maximale omgevingstemperatuur bedraagt 45 °C. Gebruik dit product niet bij hogere temperaturen.
- De minimale opstarttemperatuur is -20° C. Start het product niet op bij lagere temperaturen.
- De minimale omgevingstemperatuur is -30 °C. Gebruik het product niet bij lagere temperaturen.

FCC-naleving

Dit apparaat voldoet aan Part 15 Part B van de FCC-regels. Het gebruik is onderworpen aan de volgende twee voorwaarden:

1. Dit apparaat mag geen schadelijke interferentie veroorzaken, en
2. Dit apparaat moet enige ontvangen interferentie accepteren, inclusief interferentie die een ongewenste werking kan veroorzaken.

Eventuele wijzigingen of aanpassingen die niet uitdrukkelijk door de voor naleving verantwoordelijke partij zijn goedgekeurd, kan de bevoegdheid van de gebruiker om de apparatuur te bedienen ongeldig verklaren.

Contact

Van buiten de VS, Verenigd Koninkrijk, Ierland, Benelux, Frankrijk, Duitsland of Mexico kunt u contact opnemen met de distributeur of om ondersteuning vragen dan wel het product retourneren. Raadpleeg [Contact Us](#) aan het einde van deze BH voor contactinformatie.

Wat is inbegrepen

- COLORado Solo Batten 4 met verblindings scherm
- Seetronic Powerkon IP65 stroomsnoer
- Muur wassen-filter
- Omegabeugels
- Beknopte handleiding

AC-stroom

Dit product heeft een voeding met automatisch bereik die werkt met een ingangsspanning van 100–240 VAC, 50/60 Hz.

Power Linking

U kunt tot 14 COLORado Solo Batten 4-producten koppelen bij 120 V, 24 COLORado Solo Batten-producten koppelen bij 208 V, of 26 producten bij 230 V. Dit aantal niet overschrijden. Power Linking-snoeren kunnen apart aangeschaft worden.

AC-stekker

Aansluiting	Snoer (VS)	Snoer (Europa)	Schroefkleur
AC Live	Zwart	Bruin	Geel/messing
AC Neutraal	Wit	Blauw	Zilver
AC Aarde	Groen/geel	Groen/geel	Groen



- Om onnodige slijtage te elimineren en zijn levensduur te verlengen, gedurende perioden wanneer het product niet wordt gebruikt, moet u het product van de stroom afsluiten door een aardlekschakelaar om te zetten of door het te ontkoppelen.
- Wanneer dit product buiten wordt gebruikt moeten stroom- en gegevenskabels met een IP65-certificering (of hoger) worden gebruikt. Zorg ervoor dat ongebruikte stroom- en gegevenspoorten worden afgesloten met de aangehechte IP65-afdekkingen.

Signaal-verbindingen

U kunt de COLORado Solo Batten 4 aansluiten op een controller of controllersoftware met behulp van een DMX-aansluiting of een ethernetverbinding. Bij het gebruik van andere Art-Net™ of sACN-compatible producten met de COLORado Solo Batten 4, kunt u deze individueel aansturen op een enkel netwerk. Zie de gebruikershandleiding voor meer informatie over het verbinden en configureren van het product voor deze signalen.

Aansturings-persoonlijkheden

De COLORado Solo Batten 4 gebruikt een 5-pins DMX-gegevensverbinding voor haar 18 bedieningspersoonlijkheden in een bereik van 3-kanaals tot 56-kanaals in 1-cel modi en 4-cel modi:

Modus	1-cel	4-cel
RGB	3	12
RGB EXT	8	27
RGBA	4	16
RGBA EXT	9	31
RGBAW	5	20
RGBAW EXT	10	35
RGBAW Fine	10	40
RGBAW FULL	16	56
HSIC	9	29

DMX-aansluiting

De COLORado Solo Batten 4 kan met een DMX-controller werken met een 5-pins DMX seriële verbinding. Op www.chauvetprofessional.com is een DMX basishandleiding verkrijgbaar.

Art-Net™-aansluiting

Art-Net™ is een ethernet-protocol dat gebruikmaakt van TCP/IP dat over een groot netwerk grote hoeveelheden DMX512-gegevens verzendt met behulp van een etherCON RJ45-verbinding. Een Art-Net™-protocoldocument is te verkrijgen op www.chauvetprofessional.com. Chauvet Professional raadt het gebruik van unicast-modus voor het beste resultaat.

Art-Net™ ontworpen en auteursrecht door Artistic Licence Holdings Ltd.

sACN-aansluiting

Streaming-ACN staat ook wel bekend als ANSI E1.31 en is een ethernetprotocol dat de laag- en opmaakstructuur gebruikt van Architecture for Control Networks om DMX512-gegevens te transporteren over IP of een ander ACN compatibel netwerk.

Master/slave-verbinding

De COLORado Solo Batten maakt gebruik van de DMX-dataverbinding voor haar Master-/Slave-modus. Zie de gebruikershandleiding om te verbinden en te configureren voor Master/Slave-werking.

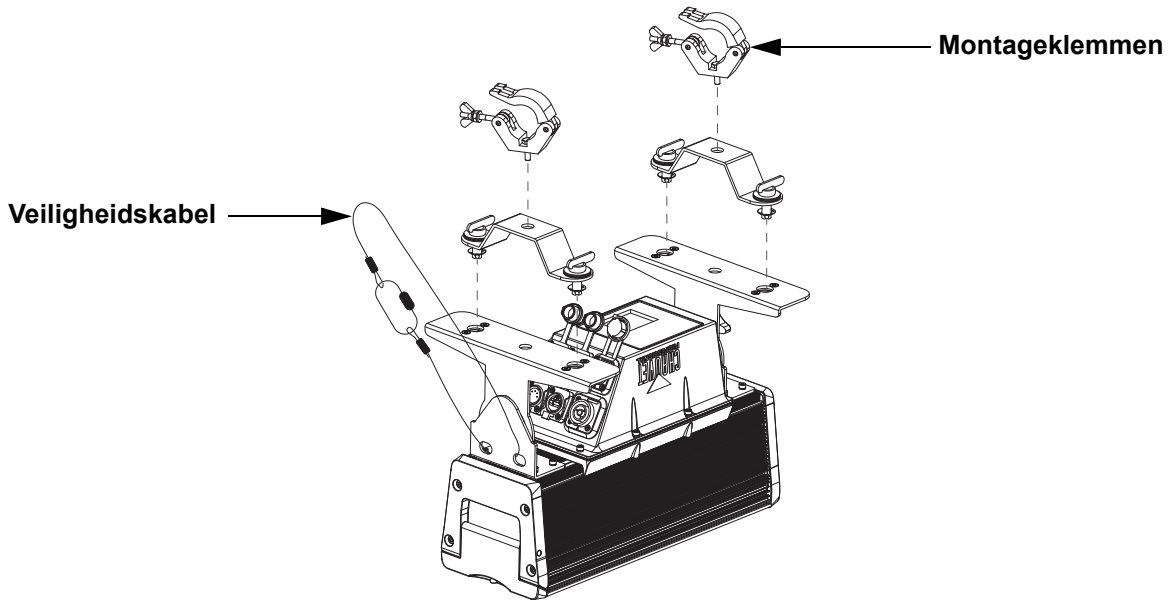
RDM (apparaatbeheer op afstand)

Remote Device Management of RDM (apparaatbeheer op afstand) is een standaard die het voor DMX-apparaten mogelijk maakt om in twee richtingen te communiceren over bestaande DMX-kabels. De COLORado Solo Batten 4 ondersteunt het RDM-protocol dat zorgt feedback toelaat bij de bewaking van wijzigingen aan de menu map-opties van. Download de gebruikershandleiding op www.chauvetprofessional.com voor meer informatie.

Montage

Lees alvorens dit product te monteren alle [Veiligheidsinstructies](#). Gebruik ten minste twee montagepunten per product. Controleer of de montageklem het gewicht van het product kan dragen. Ga voor onze Chauvet-serie montageklemmen naar <http://trusst.com/productcategory/truss-clamps/>.

Montagediagram van het product



Web-server

De COLORado Solo Batten-web-server is toegankelijk voor elke computer op hetzelfde netwerk als het product. Het biedt voor het netwerk de mogelijkheid om toegang te hebben tot de systeeminformatie, instellingen zoals bedieningsprotocol en startadres, testen kleur uitgang en de mogelijkheid om het web-server-wachtwoord te wijzigen. Toegang tot de webserver:

1. Stel het IP-adres van het netwerk in om dezelfde eerste digit als IP-adres van het product te hebben.
2. Voer het IP-adres van het product in de URL-balk van een webbrowser-applicatie in.
3. Voer zowel de gebruikersnaam als wachtwoord als **admin** in om in te loggen.

Beschrijving bedieningspaneel

Toets	Functie
<MENU>	Sluit het huidige menu of functie af
<ENTER>	Activeert het huidige getoonde menu of plaatst de huidige geselecteerde waarde in de geselecteerde functie
<UP>	Navigeert omhoog via het menu of verhoogt de numerieke waarde wanneer in een functie
<DOWN>	Navigeert omlaag via het menu of verlaagt de numerieke waarde wanneer in een functie

Toegangscode

Vul na dat gevraagd te worden de volgende toegangscode in door te drukken op: <UP>, <DOWN>, <UP>, <DOWN>, <ENTER>. Dit toegangscode kan niet gewijzigd worden en moet indien gevraagd ingevuld worden.

Kleuren macrodiagram

DMX-kanaalwaarde	Rode waarde	Groene waarde	Blauwe waarde	Gele waarde	Wit waarde
000 ⇔ 010	Geen functie	Geen functie	Geen functie	Geen functie	Geen functie
011 ⇔ 034	100%	0–100%	0%	0%	0%
035 ⇔ 059	100–0%	100%	0%	0%	0%
060 ⇔ 084	0%	100%	0–100%	0%	0%
085 ⇔ 109	0%	100–0%	100%	0%	0%
110 ⇔ 134	0–100%	0%	100%	0%	0%
135 ⇔ 159	100%	0%	100–0%	0%	0%
160 ⇔ 184	100%	0–100%	0–100%	0%	0%
185 ⇔ 209	100–0%	100–0%	100%	0%	0%
210 ⇔ 255	100%	100%	100%	100%	100%

Kleurtemperatuur-kaart

DMX-kanaalwaarde	Kleurtemperatuur
000 ⇔ 010	Geen functie
011 ⇔ 028	1800K
029 ⇔ 046	2200K
047 ⇔ 064	2700K
065 ⇔ 082	3000K
083 ⇔ 100	3200K
101 ⇔ 118	3500K
119 ⇔ 136	4000K
137 ⇔ 154	4200K
155 ⇔ 172	4500K
173 ⇔ 190	5600K
191 ⇔ 208	6000K
209 ⇔ 226	6500K
227 ⇔ 244	7200K
245 ⇔ 255	8000K



De bovenstaande kleurtemperaturen zijn gesimuleerde weergaven van de geproduceerde kleuropbrengst, in vergelijking met een wolfram-lamp bij de opgegeven kleurtemperatuur. Chauvet geeft geen garantie over de nauwkeurigheid van de kleuropbrengst.

Menu-map

Hoofdniveau	Programmeerniveaus		Beschrijving	
Protocol	DMX512		Stelt de control protocol in	
	Art-Net			
	Art-Net to DMX			
	sACN			
Start Address	1–510*		Selecteert het start-adres (hoogste kanaal beperkt tot de gekozen persoonlijkheid)	
Personality	1 Cell	1 Cell - RGB	3-kanaals: RGB	
		1 Cell - RGB EXT	8-kanaals: 16-bits dimmer, RGB, kleur macro, kleurtemperatuur, stroboscoop	
		1 Cell - RGBA	4-kanaals: RGBA	
		1 Cell - RGBA EXT	9-kanaals: 16-bits dimmer, RGBA, kleur macro, kleurtemperatuur, stroboscoop	
		1 Cell - RGBAW	5-kanaals: RGBAW	
		1 Cell - RGBAW EXT	10-kanaals: 16-bits dimmer, RGBAW, kleur macro, kleurtemperatuur, stroboscoop	
		1 Cell - RGBAW Fine	10-kanaals: 16-bits RGBAW	
		1 Cell - RGBAW FULL	16-kanaals: 16-bits dimmer, 16-bits RGBAW, kleur macro, kleurtemperatuur, stroboscoop, dimmersnelheid	
		1 Cell - HSIC	9-kanaals: Dimmer, 16-bits tint, verzadiging, stroboscoop, kleur macro, kleurtemperatuur, dimmersnelheid, GN-verzadiging	
	1 Cell - RGBAW Basic	13-kanaals: 16-bits dimmer, RGBAW, kleur macro, kleurtemperatuur, stroboscoop, automatische programma's, automatische snelheid, automatische vertraging		
	4 Cell	4 Cell - RGB	12-kanaals (4-cel): RGB	
		4 Cell - RGB EXT	27-kanaals (4-cel): 16-bits dimmer, RGB, kleur macro, kleurtemperatuur, stroboscoop	
		4 Cell - RGBA	16-kanaals (4-cel): RGBA	
		4 Cell - RGBA EXT	31-kanaals (4-cel): 16-bits dimmer, RGBA, kleur macro, kleurtemperatuur, stroboscoop	
		4 Cell - RGBAW	20-kanaals (4-cel): RGBAW	
		4 Cell - RGBAW EXT	35-kanaals (4-cel): 16-bits dimmer, RGBAW, kleur macro, kleurtemperatuur, stroboscoop	
		4 Cell - RGBAW Fine	40-kanaals (4-cel): 16-bits RGBAW	
		4 Cell - RGBAW FULL	56-kanaals (4-cel): 16-bits dimmer, 16-bits RGBAW, kleur macro, kleurtemperatuur, stroboscoop, dimmersnelheid	
4 Cell - HSIC		29-kanaals (4-cel): dimmer, 16-bits tint, verzadiging, stroboscoop, kleur macro, kleurtemperatuur, dimmersnelheid		
Network	Net Switch	2.x.x.x	Stelt het netwerk naar een vooringesteld 2.x.x.x IP-adres	
		10.x.x.x	Stelt het netwerk naar een vooringesteld 10.x.x.x IP-adres	
	IP Mode	Default IP		Standaard IP-adres
		Custom IP	_____	Stel het IP-adres handmatig in
	Universe	000–255 (Art-Net™/DMX) of 001–256 (sACN)		Sets universe for Art-Net™ or sACN

Hoofdniveau	Programmeerniveaus			Beschrijving	
Output Setting	Power Mode			Voorkom dat de maximale temperatuur overschreden wordt door de intensiteit aan te passen	
	Steady Mode			Gebruikt een lager intensiteit bij een constante niveau, om de maximale temperatuur niet te overschrijden	
Static Colors	Preset Colors	Color 1–14	0–100%	Vooraf ingestelde statische kleuren	
	Color Temperature Presets	White 1–14		Vooraf ingestelde kleurtemperaturen	
	Manual Color Mixer	Red	Red 0–255	Combineert rood, groen, blauw, amber en wit om een aangepaste kleur te genereren	
		Green	Green 0–255		
		Blue	Blue 0–255		
Amber		Amber 0–255			
	White	White 0–255			
Auto Programs	Run	Auto 1–10	0–100%	Selecteert automatische programma's en automatische programmasnelheid	
		User Program 1–10			
	Edit	User Program 1–10	Scene 01–30	Red 0–255	Selecteert en bewerkt een instelbare programma
				Green 0–255	
				Blue 0–255	
				Amber 0–255	
White 0–255					
			Strobe 0–255		
Master/Slave	Master			DMX-modus (Master)	
	Slave			Slave-modus	
Dimmer Mode	Off			Lineaire dimmer	
	Dimmer 1–4			Dimprofielen van Dimmer 1 (snel) tot Dimmer 4 (langzaam)	
LED Frequency	600Hz			Selecteert de PWM-uitgangsfrequentie	
	1200Hz				
	2000Hz				
	4000Hz				
	6000Hz				
	25000Hz				
Cell Order	1 - 4(Left to Right)			Stelt de volgorde van de cellen in	
	4 - 1(Right to Left)				
Settings	**** (Enter Passcode)	DMX Error/ Loss	Hold Last	Gaat verder met de laatste opdracht na verlies van DMX-regeling	
			Blackout	Verduistert de product na verlies van DMX	
	Display Backlight Timeout	On	De backlight van de display is altijd aan		
		10s	Schakelt de backlight van de display uit na 10s van inactiviteit		
		20s	Schakelt de backlight van de display uit na 20s van inactiviteit		
		30s	Schakelt de backlight van de display uit na 30s van inactiviteit		
	Display Passcode	On	Vergrendelt het display (toegangscode is <UP>, <DOWN>, <UP>, <DOWN>, <ENTER>)		
Off					

Hoofdniveau	Programmeerniveaus		Beschrijving
Information	Fixture Hours	----- --:--	Toont het totale aantal uren, minuten en seconden producturen
	Firmware Version	V._.	Toont de geïnstalleerde softwareversie
	Device Label	Colorado Solo Batten 4	Toont de productnaam voor RDM
	Device UID	-----	Geeft de huidige UID
	MAC Address	-----	Toont het MAC-adres
Factory Reset	**** (Enter Passcode)	No Yes	Herstellen naar de fabrieksstandaard

4-Cel DMX-waarden

4 Cell HSIC (29 kanalen)

Kanaal	Functie	Waarde	Percentage/Instelling
1	Dimmer 1	000 ⇔ 255	0–100%
2	Tint 1	000 ⇔ 255	0–100%
3	Fijne tint 1	000 ⇔ 255	0–100%
4	Verzadiging 1	000 ⇔ 255	0–100%
5	Stroboscoop 1	000 ⇔ 009	Geen functie
		010 ⇔ 099	Stroboscoop, langzaam naar snel
		100 ⇔ 109	Geen functie
		110 ⇔ 179	Bliksemeffect, langzaam naar snel
		180 ⇔ 189	Geen functie
		190 ⇔ 255	Willekeurige stroboscoop, langzaam naar snel
6	Kleur macro's 1	000 ⇔ 255	Zie Kleuren macrodiagram
7	Kleurtemperaturen 1	000 ⇔ 255	Zie Kleurtemperatuur-kaart
8	Dimmer 2	000 ⇔ 255	0–100%
9	Tint 2	000 ⇔ 255	0–100%
10	Fijne tint 2	000 ⇔ 255	0–100%
11	Verzadiging 2	000 ⇔ 255	0–100%
12	Stroboscoop 2	000 ⇔ 009	Geen functie
		010 ⇔ 099	Stroboscoop, langzaam naar snel
		100 ⇔ 109	Geen functie
		110 ⇔ 179	Bliksemeffect, langzaam naar snel
		180 ⇔ 189	Geen functie
		190 ⇔ 255	Willekeurige stroboscoop, langzaam naar snel
13	Kleur macro's 2	000 ⇔ 255	Zie Kleuren macrodiagram
14	Kleurtemperaturen 2	000 ⇔ 255	Zie Kleurtemperatuur-kaart
15	Dimmer 3	000 ⇔ 255	0–100%
16	Tint 3	000 ⇔ 255	0–100%
17	Fijne tint 3	000 ⇔ 255	0–100%
18	Verzadiging 3	000 ⇔ 255	0–100%
19	Stroboscoop 3	000 ⇔ 009	Geen functie
		010 ⇔ 099	Stroboscoop, langzaam naar snel
		100 ⇔ 109	Geen functie
		110 ⇔ 179	Bliksemeffect, langzaam naar snel
		180 ⇔ 189	Geen functie
		190 ⇔ 255	Willekeurige stroboscoop, langzaam naar snel
20	Kleur macro's 3	000 ⇔ 255	Zie Kleuren macrodiagram
21	Kleurtemperaturen 3	000 ⇔ 255	Zie Kleurtemperatuur-kaart
22	Dimmer 4	000 ⇔ 255	0–100%
23	Tint 4	000 ⇔ 255	0–100%
24	Fijne tint 4	000 ⇔ 255	0–100%
25	Verzadiging 4	000 ⇔ 255	0–100%

Kanaal	Functie	Waarde	Percentage/Instelling
26	Stroboscoop 4	000 ⇔ 009	Geen functie
		010 ⇔ 099	Stroboscoop, langzaam naar snel
		100 ⇔ 109	Geen functie
		110 ⇔ 179	Bliksemeffect, langzaam naar snel
		180 ⇔ 189	Geen functie
		190 ⇔ 255	Willekeurige stroboscoop, langzaam naar snel
27	Kleur macro's 4	000 ⇔ 255	Zie Kleuren macrodiagram
28	Kleurtemperaturen 4	000 ⇔ 255	Zie Kleurtemperatuur-kaart
29	Dimmersnelheid	000 ⇔ 009	Voorinstelling van de dimmersnelheid vanaf het displaymenu
		010 ⇔ 029	Dimmer snelheidsmodus uit
		030 ⇔ 069	Dimmer snelheidsmodus 1 (snel)
		070 ⇔ 129	Dimmer snelheidsmodus 2
		130 ⇔ 189	Dimmer snelheidsmodus 3
		190 ⇔ 255	Dimmer snelheidsmodus 4 (langzaam)

4 Cell RGBAW FUL (56 kanalen)

Kanaal	Functie	Waarde	Percentage/Instelling
1	Dimmer	000 ⇔ 255	0–100%
2	Fijne dimmer	000 ⇔ 255	0–100%
3	Rood 1	000 ⇔ 255	0–100%
4	Fijn rood 1	000 ⇔ 255	0–100%
5	Groen 1	000 ⇔ 255	0–100%
6	Fijn groen 1	000 ⇔ 255	0–100%
7	Blauw 1	000 ⇔ 255	0–100%
8	Fijn blauw 1	000 ⇔ 255	0–100%
9	Amber 1	000 ⇔ 255	0–100%
10	Fijn amber 1	000 ⇔ 255	0–100%
11	Wit 1	000 ⇔ 255	0–100%
12	Fijn wit 1	000 ⇔ 255	0–100%
13	Kleur macro's 1	000 ⇔ 255	Zie Kleuren macrodiagram
14	Kleurtemperaturen 1	000 ⇔ 255	Zie Kleurtemperatuur-kaart
15	Stroboscoop 1	000 ⇔ 009	Geen functie
		010 ⇔ 099	Stroboscoop, langzaam naar snel
		100 ⇔ 109	Geen functie
		110 ⇔ 179	Bliksemeffect, langzaam naar snel
		180 ⇔ 189	Geen functie
		190 ⇔ 255	Willekeurige stroboscoop, langzaam naar snel
16	Rood 2	000 ⇔ 255	0–100%
17	Fijn rood 2	000 ⇔ 255	0–100%
18	Groen 2	000 ⇔ 255	0–100%
19	Fijn groen 2	000 ⇔ 255	0–100%
20	Blauw 2	000 ⇔ 255	0–100%
21	Fijn blauw 2	000 ⇔ 255	0–100%
22	Amber 2	000 ⇔ 255	0–100%
23	Fijn amber 2	000 ⇔ 255	0–100%
24	Wit 2	000 ⇔ 255	0–100%
25	Fijn wit 2	000 ⇔ 255	0–100%
26	Kleur macro's 2	000 ⇔ 255	Zie Kleuren macrodiagram
27	Kleurtemperaturen 2	000 ⇔ 255	Zie Kleurtemperatuur-kaart
28	Stroboscoop 2	000 ⇔ 009	Geen functie
		010 ⇔ 099	Stroboscoop, langzaam naar snel
		100 ⇔ 109	Geen functie
		110 ⇔ 179	Bliksemeffect, langzaam naar snel
		180 ⇔ 189	Geen functie
		190 ⇔ 255	Willekeurige stroboscoop, langzaam naar snel
29	Rood 3	000 ⇔ 255	0–100%

Kanaal	Functie	Waarde	Percentage/Instelling
30	Fijn rood 3	000 ⇔ 255	0–100%
31	Groen 3	000 ⇔ 255	0–100%
32	Fijn groen 3	000 ⇔ 255	0–100%
33	Blauw 3	000 ⇔ 255	0–100%
34	Fijn blauw 3	000 ⇔ 255	0–100%
35	Amber 3	000 ⇔ 255	0–100%
36	Fijn amber 3	000 ⇔ 255	0–100%
37	Wit 3	000 ⇔ 255	0–100%
38	Fijn wit 3	000 ⇔ 255	0–100%
39	Kleur macro's 3	000 ⇔ 255	Zie Kleuren macrodiagram
40	Kleurtemperaturen 3	000 ⇔ 255	Zie Kleurtemperatuur-kaart
41	Stroboscoop 3	000 ⇔ 009	Geen functie
		010 ⇔ 099	Stroboscoop, langzaam naar snel
		100 ⇔ 109	Geen functie
		110 ⇔ 179	Bliksemeffect, langzaam naar snel
		180 ⇔ 189	Geen functie
		190 ⇔ 255	Willekeurige stroboscoop, langzaam naar snel
42	Rood 4	000 ⇔ 255	0–100%
43	Fijn rood 4	000 ⇔ 255	0–100%
44	Groen 4	000 ⇔ 255	0–100%
45	Fijn groen 4	000 ⇔ 255	0–100%
46	Blauw 4	000 ⇔ 255	0–100%
47	Fijn blauw 4	000 ⇔ 255	0–100%
48	Amber 4	000 ⇔ 255	0–100%
49	Fijn amber 4	000 ⇔ 255	0–100%
50	Wit 4	000 ⇔ 255	0–100%
51	Fijn wit 4	000 ⇔ 255	0–100%
52	Kleur macro's 4	000 ⇔ 255	Zie Kleuren macrodiagram
53	Kleurtemperaturen 4	000 ⇔ 255	Zie Kleurtemperatuur-kaart
54	Stroboscoop 4	000 ⇔ 009	Geen functie
		010 ⇔ 099	Stroboscoop, langzaam naar snel
		100 ⇔ 109	Geen functie
		110 ⇔ 179	Bliksemeffect, langzaam naar snel
		180 ⇔ 189	Geen functie
		190 ⇔ 255	Willekeurige stroboscoop, langzaam naar snel
55	Alles stroboscoop	000 ⇔ 009	Geen functie
		010 ⇔ 099	Stroboscoop, langzaam naar snel
		100 ⇔ 109	Geen functie
		110 ⇔ 179	Bliksemeffect, langzaam naar snel
		180 ⇔ 189	Geen functie
		190 ⇔ 255	Willekeurige stroboscoop, langzaam naar snel
56	Dimmersnelheid	000 ⇔ 009	Voorinstelling van de dimmersnelheid vanaf het displaymenu
		010 ⇔ 029	Dimmer snelheidsmodus uit
		030 ⇔ 069	Dimmer snelheidsmodus 1 (snel)
		070 ⇔ 129	Dimmer snelheidsmodus 2
		130 ⇔ 189	Dimmer snelheidsmodus 3
		190 ⇔ 255	Dimmer snelheidsmodus 4 (langzaam)

4 Cell RGBAW FIN (40 kanalen)

Kanaal	Functie	Waarde	Percentage/Instelling
1	Rood 1	000 ⇔ 255	0–100%
2	Fijn rood 1	000 ⇔ 255	0–100%
3	Groen 1	000 ⇔ 255	0–100%
4	Fijn groen 1	000 ⇔ 255	0–100%
5	Blauw 1	000 ⇔ 255	0–100%
6	Fijn blauw 1	000 ⇔ 255	0–100%
7	Amber 1	000 ⇔ 255	0–100%
8	Fijn amber 1	000 ⇔ 255	0–100%
9	Wit 1	000 ⇔ 255	0–100%
10	Fijn wit 1	000 ⇔ 255	0–100%
11	Rood 2	000 ⇔ 255	0–100%
12	Fijn rood 2	000 ⇔ 255	0–100%
13	Groen 2	000 ⇔ 255	0–100%
14	Fijn groen 2	000 ⇔ 255	0–100%
15	Blauw 2	000 ⇔ 255	0–100%
16	Fijn blauw 2	000 ⇔ 255	0–100%
17	Amber 2	000 ⇔ 255	0–100%
18	Fijn amber 2	000 ⇔ 255	0–100%
19	Wit 2	000 ⇔ 255	0–100%
20	Fijn wit 2	000 ⇔ 255	0–100%
21	Rood 3	000 ⇔ 255	0–100%
22	Fijn rood 3	000 ⇔ 255	0–100%
23	Groen 3	000 ⇔ 255	0–100%
24	Fijn groen 3	000 ⇔ 255	0–100%
25	Blauw 3	000 ⇔ 255	0–100%
26	Fijn blauw 3	000 ⇔ 255	0–100%
27	Amber 3	000 ⇔ 255	0–100%
28	Fijn amber 3	000 ⇔ 255	0–100%
29	Wit 3	000 ⇔ 255	0–100%
30	Fijn wit 3	000 ⇔ 255	0–100%
31	Rood 4	000 ⇔ 255	0–100%
32	Fijn rood 4	000 ⇔ 255	0–100%
33	Groen 4	000 ⇔ 255	0–100%
34	Fijn groen 4	000 ⇔ 255	0–100%
35	Blauw 4	000 ⇔ 255	0–100%
36	Fijn blauw 4	000 ⇔ 255	0–100%
37	Amber 4	000 ⇔ 255	0–100%
38	Fijn amber 4	000 ⇔ 255	0–100%
39	Wit 4	000 ⇔ 255	0–100%
40	Fijn wit 4	000 ⇔ 255	0–100%

4 Cell RGBAW EXT (35 kanalen)

Kanaal	Functie	Waarde	Percentage/Instelling
1	Dimmer	000 ⇔ 255	0–100%
2	Fijne Dimmer	000 ⇔ 255	0–100%
3	Rood 1	000 ⇔ 255	0–100%
4	Groen 1	000 ⇔ 255	0–100%
5	Blauw 1	000 ⇔ 255	0–100%
6	Amber 1	000 ⇔ 255	0–100%
7	Wit 1	000 ⇔ 255	0–100%
8	Kleur macro's 1	000 ⇔ 255	Zie Kleuren macrodiagram
9	Kleurtemperaturen 1	000 ⇔ 255	Zie Kleurtemperatuur-kaart
10	Stroboscoop 1	000 ⇔ 009	Geen functie
		010 ⇔ 099	Stroboscoop, langzaam naar snel
		100 ⇔ 109	Geen functie
		110 ⇔ 179	Bliksemeffect, langzaam naar snel
		180 ⇔ 189	Geen functie
		190 ⇔ 255	Willekeurige stroboscoop, langzaam naar snel
11	Rood 2	000 ⇔ 255	0–100%
12	Groen 2	000 ⇔ 255	0–100%
13	Blauw 2	000 ⇔ 255	0–100%
14	Amber 2	000 ⇔ 255	0–100%
15	Wit 2	000 ⇔ 255	0–100%
16	Kleur macro's 2	000 ⇔ 255	Zie Kleuren macrodiagram
17	Kleurtemperaturen 2	000 ⇔ 255	Zie Kleurtemperatuur-kaart
18	Stroboscoop 2	000 ⇔ 009	Geen functie
		010 ⇔ 099	Stroboscoop, langzaam naar snel
		100 ⇔ 109	Geen functie
		110 ⇔ 179	Bliksemeffect, langzaam naar snel
		180 ⇔ 189	Geen functie
		190 ⇔ 255	Willekeurige stroboscoop, langzaam naar snel
19	Rood 3	000 ⇔ 255	0–100%
20	Groen 3	000 ⇔ 255	0–100%
21	Blauw 3	000 ⇔ 255	0–100%
22	Amber 3	000 ⇔ 255	0–100%
23	Wit 3	000 ⇔ 255	0–100%
24	Kleur macro's 3	000 ⇔ 255	Zie Kleuren macrodiagram
25	Kleurtemperaturen 3	000 ⇔ 255	Zie Kleurtemperatuur-kaart
26	Stroboscoop 3	000 ⇔ 009	Geen functie
		010 ⇔ 099	Stroboscoop, langzaam naar snel
		100 ⇔ 109	Geen functie
		110 ⇔ 179	Bliksemeffect, langzaam naar snel
		180 ⇔ 189	Geen functie
		190 ⇔ 255	Willekeurige stroboscoop, langzaam naar snel
27	Rood 4	000 ⇔ 255	0–100%
28	Groen 4	000 ⇔ 255	0–100%
29	Blauw 4	000 ⇔ 255	0–100%
30	Amber 4	000 ⇔ 255	0–100%
31	Wit 4	000 ⇔ 255	0–100%
32	Kleur macro's 4	000 ⇔ 255	Zie Kleuren macrodiagram
33	Kleurtemperaturen 4	000 ⇔ 255	Zie Kleurtemperatuur-kaart
34	Stroboscoop 4	000 ⇔ 009	Geen functie
		010 ⇔ 099	Stroboscoop, langzaam naar snel
		100 ⇔ 109	Geen functie
		110 ⇔ 179	Bliksemeffect, langzaam naar snel
		180 ⇔ 189	Geen functie
		190 ⇔ 255	Willekeurige stroboscoop, langzaam naar snel

Kanaal	Functie	Waarde	Percentage/Instelling
35	Alles stroboscoop	000 ⇔ 009	Geen functie
		010 ⇔ 099	Stroboscoop, langzaam naar snel
		100 ⇔ 109	Geen functie
		110 ⇔ 179	Bliksemeffect, langzaam naar snel
		180 ⇔ 189	Geen functie
		190 ⇔ 255	Willekeurige stroboscoop, langzaam naar snel

4 Cell RGBAW (20 kanalen)

Kanaal	Functie	Waarde	Percentage/Instelling
1	Rood 1	000 ⇔ 255	0–100%
2	Groen 1	000 ⇔ 255	0–100%
3	Blauw 1	000 ⇔ 255	0–100%
4	Amber 1	000 ⇔ 255	0–100%
5	Wit 1	000 ⇔ 255	0–100%
6	Rood 2	000 ⇔ 255	0–100%
7	Groen 2	000 ⇔ 255	0–100%
8	Blauw 2	000 ⇔ 255	0–100%
9	Amber 2	000 ⇔ 255	0–100%
10	Wit 2	000 ⇔ 255	0–100%
11	Rood 3	000 ⇔ 255	0–100%
12	Groen 3	000 ⇔ 255	0–100%
13	Blauw 3	000 ⇔ 255	0–100%
14	Amber 3	000 ⇔ 255	0–100%
15	Wit 3	000 ⇔ 255	0–100%
16	Rood 4	000 ⇔ 255	0–100%
17	Groen 4	000 ⇔ 255	0–100%
18	Blauw 4	000 ⇔ 255	0–100%
19	Amber 4	000 ⇔ 255	0–100%
20	Wit 4	000 ⇔ 255	0–100%

4 Cell RGBA EXT (31 kanalen)

Kanaal	Functie	Waarde	Percentage/Instelling
1	Dimmer	000 ⇔ 255	0–100%
2	Fijne Dimmer	000 ⇔ 255	0–100%
3	Rood 1	000 ⇔ 255	0–100%
4	Groen 1	000 ⇔ 255	0–100%
5	Blauw 1	000 ⇔ 255	0–100%
6	Amber 1	000 ⇔ 255	0–100%
7	Kleur macro's 1	000 ⇔ 255	Zie Kleuren macrodiagram
8	Kleurtemperaturen 1	000 ⇔ 255	Zie Kleurtemperatuur-kaart
9	Stroboscoop 1	000 ⇔ 009	Geen functie
		010 ⇔ 099	Stroboscoop, langzaam naar snel
		100 ⇔ 109	Geen functie
		110 ⇔ 179	Bliksemeffect, langzaam naar snel
		180 ⇔ 189	Geen functie
		190 ⇔ 255	Willekeurige stroboscoop, langzaam naar snel
10	Rood 2	000 ⇔ 255	0–100%
11	Groen 2	000 ⇔ 255	0–100%
12	Blauw 2	000 ⇔ 255	0–100%
13	Amber 2	000 ⇔ 255	0–100%
14	Kleur macro's 2	000 ⇔ 255	Zie Kleuren macrodiagram
15	Kleurtemperaturen 2	000 ⇔ 255	Zie Kleurtemperatuur-kaart

Kanaal	Functie	Waarde	Percentage/Instelling
16	Stroboscoop 2	000 ⇔ 009	Geen functie
		010 ⇔ 099	Stroboscoop, langzaam naar snel
		100 ⇔ 109	Geen functie
		110 ⇔ 179	Bliksemeffect, langzaam naar snel
		180 ⇔ 189	Geen functie
		190 ⇔ 255	Willekeurige stroboscoop, langzaam naar snel
17	Rood 3	000 ⇔ 255	0–100%
18	Groen 3	000 ⇔ 255	0–100%
19	Blauw 3	000 ⇔ 255	0–100%
20	Amber 3	000 ⇔ 255	0–100%
21	Kleur macro's 3	000 ⇔ 255	Zie Kleuren macrodiagram
22	Kleurtemperaturen 3	000 ⇔ 255	Zie Kleurtemperatuur-kaart
23	Stroboscoop 3	000 ⇔ 009	Geen functie
		010 ⇔ 099	Stroboscoop, langzaam naar snel
		100 ⇔ 109	Geen functie
		110 ⇔ 179	Bliksemeffect, langzaam naar snel
		180 ⇔ 189	Geen functie
		190 ⇔ 255	Willekeurige stroboscoop, langzaam naar snel
24	Rood 4	000 ⇔ 255	0–100%
25	Groen 4	000 ⇔ 255	0–100%
26	Blauw 4	000 ⇔ 255	0–100%
27	Amber 4	000 ⇔ 255	0–100%
28	Kleur macro's 4	000 ⇔ 255	Zie Kleuren macrodiagram
29	Kleurtemperaturen 4	000 ⇔ 255	Zie Kleurtemperatuur-kaart
30	Stroboscoop 4	000 ⇔ 009	Geen functie
		010 ⇔ 099	Stroboscoop, langzaam naar snel
		100 ⇔ 109	Geen functie
		110 ⇔ 179	Bliksemeffect, langzaam naar snel
		180 ⇔ 189	Geen functie
		190 ⇔ 255	Willekeurige stroboscoop, langzaam naar snel
31	Alles stroboscoop	000 ⇔ 009	Geen functie
		010 ⇔ 099	Stroboscoop, langzaam naar snel
		100 ⇔ 109	Geen functie
		110 ⇔ 179	Bliksemeffect, langzaam naar snel
		180 ⇔ 189	Geen functie
		190 ⇔ 255	Willekeurige stroboscoop, langzaam naar snel

4 Cell RGBA (16 kanalen)

Kanaal	Functie	Waarde	Percentage/Instelling
1	Rood 1	000 ⇔ 255	0–100%
2	Groen 1	000 ⇔ 255	0–100%
3	Blauw 1	000 ⇔ 255	0–100%
4	Amber 1	000 ⇔ 255	0–100%
5	Rood 2	000 ⇔ 255	0–100%
6	Groen 2	000 ⇔ 255	0–100%
7	Blauw 2	000 ⇔ 255	0–100%
8	Amber 2	000 ⇔ 255	0–100%
9	Rood 3	000 ⇔ 255	0–100%
10	Groen 3	000 ⇔ 255	0–100%
11	Blauw 3	000 ⇔ 255	0–100%
12	Amber 3	000 ⇔ 255	0–100%
13	Rood 4	000 ⇔ 255	0–100%
14	Groen 4	000 ⇔ 255	0–100%
15	Blauw 4	000 ⇔ 255	0–100%
16	Amber 4	000 ⇔ 255	0–100%

4 Cell RGB EXT (27 kanalen)

Kanaal	Functie	Waarde	Percentage/Instelling
1	Dimmer	000 ⇔ 255	0–100%
2	Fijne Dimmer	000 ⇔ 255	0–100%
3	Rood 1	000 ⇔ 255	0–100%
4	Groen 1	000 ⇔ 255	0–100%
5	Blauw 1	000 ⇔ 255	0–100%
6	Kleur macro's 1	000 ⇔ 255	Zie Kleuren macrodiagram
7	Kleurtemperaturen 1	000 ⇔ 255	Zie Kleurtemperatuur-kaart
8	Stroboscoop 1	000 ⇔ 009	Geen functie
		010 ⇔ 099	Stroboscoop, langzaam naar snel
		100 ⇔ 109	Geen functie
		110 ⇔ 179	Bliksemffect, langzaam naar snel
		180 ⇔ 189	Geen functie
		190 ⇔ 255	Willekeurige stroboscoop, langzaam naar snel
9	Rood 2	000 ⇔ 255	0–100%
10	Groen 2	000 ⇔ 255	0–100%
11	Blauw 2	000 ⇔ 255	0–100%
12	Kleur macro's 2	000 ⇔ 255	Zie Kleuren macrodiagram
13	Kleurtemperaturen 2	000 ⇔ 255	Zie Kleurtemperatuur-kaart
14	Stroboscoop 2	000 ⇔ 009	Geen functie
		010 ⇔ 099	Stroboscoop, langzaam naar snel
		100 ⇔ 109	Geen functie
		110 ⇔ 179	Bliksemffect, langzaam naar snel
		180 ⇔ 189	Geen functie
		190 ⇔ 255	Willekeurige stroboscoop, langzaam naar snel
15	Rood 3	000 ⇔ 255	0–100%
16	Groen 3	000 ⇔ 255	0–100%
17	Blauw 3	000 ⇔ 255	0–100%
18	Kleur macro's 3	000 ⇔ 255	Zie Kleuren macrodiagram
19	Kleurtemperaturen 3	000 ⇔ 255	Zie Kleurtemperatuur-kaart
20	Stroboscoop 3	000 ⇔ 009	Geen functie
		010 ⇔ 099	Stroboscoop, langzaam naar snel
		100 ⇔ 109	Geen functie
		110 ⇔ 179	Bliksemffect, langzaam naar snel
		180 ⇔ 189	Geen functie
		190 ⇔ 255	Willekeurige stroboscoop, langzaam naar snel
21	Rood 4	000 ⇔ 255	0–100%
22	Groen 4	000 ⇔ 255	0–100%
23	Blauw 4	000 ⇔ 255	0–100%
24	Kleur macro's 4	000 ⇔ 255	Zie Kleuren macrodiagram
25	Kleurtemperaturen 4	000 ⇔ 255	Zie Kleurtemperatuur-kaart
26	Stroboscoop 4	000 ⇔ 009	Geen functie
		010 ⇔ 099	Stroboscoop, langzaam naar snel
		100 ⇔ 109	Geen functie
		110 ⇔ 179	Bliksemffect, langzaam naar snel
		180 ⇔ 189	Geen functie
		190 ⇔ 255	Willekeurige stroboscoop, langzaam naar snel
27	Alles stroboscoop	000 ⇔ 009	Geen functie
		010 ⇔ 099	Stroboscoop, langzaam naar snel
		100 ⇔ 109	Geen functie
		110 ⇔ 179	Bliksemffect, langzaam naar snel
		180 ⇔ 189	Geen functie
		190 ⇔ 255	Willekeurige stroboscoop, langzaam naar snel

4 Cell RGB (12 kanalen)

Kanaal	Functie	Waarde	Percentage/Instelling
1	Rood 1	000 ⇔ 255	0–100%
2	Groen 1	000 ⇔ 255	0–100%
3	Blauw 1	000 ⇔ 255	0–100%
4	Rood 2	000 ⇔ 255	0–100%
5	Groen 2	000 ⇔ 255	0–100%
6	Blauw 2	000 ⇔ 255	0–100%
7	Rood 3	000 ⇔ 255	0–100%
8	Groen 3	000 ⇔ 255	0–100%
9	Blauw 3	000 ⇔ 255	0–100%
10	Rood 4	000 ⇔ 255	0–100%
11	Groen 4	000 ⇔ 255	0–100%
12	Blauw 4	000 ⇔ 255	0–100%

NL

1-Cel DMX-waarden**1 Cell RGBAW Basic (13 kanalen)**

Kanaal	Functie	Waarde	Percentage/Instelling
1	Dimmer	000 ⇔ 255	0–100%
2	Fijne Dimmer	000 ⇔ 255	0–100%
3	Rood	000 ⇔ 255	0–100%
4	Groen	000 ⇔ 255	0–100%
5	Blauw	000 ⇔ 255	0–100%
6	Amber	000 ⇔ 255	0–100%
7	Wit	000 ⇔ 255	0–100%
8	Kleur macro's	000 ⇔ 255	Zie Kleuren macrodiagram
9	Kleurtemperaturen	000 ⇔ 255	Zie Kleurtemperatuur-kaart
10	Stroboscoop	000 ⇔ 009	Geen functie
		010 ⇔ 099	Stroboscoop, langzaam naar snel
		100 ⇔ 109	Geen functie
		110 ⇔ 179	Bliksem-effect, langzaam naar snel
		180 ⇔ 189	Geen functie
		190 ⇔ 255	Willekeurige stroboscoop, langzaam naar snel
11	Auto programma's	000 ⇔ 040	Geen functie
		041 ⇔ 050	Auto1
		051 ⇔ 060	Auto2
		061 ⇔ 070	Auto3
		071 ⇔ 080	Auto4
		081 ⇔ 090	Auto5
		091 ⇔ 100	Auto6
		101 ⇔ 110	Auto7
		111 ⇔ 120	Auto8
		121 ⇔ 130	Auto9
		131 ⇔ 140	Auto10
		141 ⇔ 150	Program1
		151 ⇔ 160	Program2
		161 ⇔ 170	Program3
		171 ⇔ 180	Program4
		181 ⇔ 190	Program5
		191 ⇔ 200	Program6
201 ⇔ 210	Program7		
211 ⇔ 220	Program8		
221 ⇔ 230	Program9		
231 ⇔ 240	Program10		
12	Auto snelheid	000 ⇔ 255	Automatische programmasnelheid aanpassen
13	Auto vertraging	000 ⇔ 255	Automatisch programma vertraging aanpassen

1 Cell HSIC (9 kanalen)

Kanaal	Functie	Waarde	Percentage/Instelling
1	Dimmer	000 ⇔ 255	0–100%
2	Tint	000 ⇔ 255	0–100%
3	Fijne tint	000 ⇔ 255	0–100%
4	Verzadiging	000 ⇔ 255	0–100%
5	Stroboscoop	000 ⇔ 009	Geen functie
		010 ⇔ 099	Stroboscoop, langzaam naar snel
		100 ⇔ 109	Geen functie
		110 ⇔ 179	Bliksemeffect, langzaam naar snel
		180 ⇔ 189	Geen functie
		190 ⇔ 255	Willekeurige stroboscoop, langzaam naar snel
6	Kleur macro's	000 ⇔ 255	Zie Kleuren macrodiagram
7	Kleurtemperaturen	000 ⇔ 255	Zie Kleurtemperatuur-kaart
8	Dimmersnelheid	000 ⇔ 009	Voorinstelling van de dimmersnelheid vanaf het displaymenu
		010 ⇔ 029	Dimmer snelheidsmodus uit
		030 ⇔ 069	Dimmer snelheidsmodus 1 (snel)
		070 ⇔ 129	Dimmer snelheidsmodus 2
		130 ⇔ 189	Dimmer snelheidsmodus 3
		190 ⇔ 255	Dimmer snelheidsmodus 4 (langzaam)
9	GN-verzadiging	000 ⇔ 010	No function
		011 ⇔ 029	Vol min groen
		030 ⇔ 069	-99% tot -1%
		070 ⇔ 129	Geen functie
		130 ⇔ 189	1% tot 99%
		190 ⇔ 255	Vol plus groen

1 Cell RGBAW FUL (16 kanalen)

Kanaal	Functie	Waarde	Percentage/Instelling
1	Dimmer	000 ⇔ 255	0–100%
2	Fijne Dimmer	000 ⇔ 255	0–100%
3	Rood	000 ⇔ 255	0–100%
4	Fijn rood	000 ⇔ 255	0–100%
5	Groen	000 ⇔ 255	0–100%
6	Fijn groen	000 ⇔ 255	0–100%
7	Blauw	000 ⇔ 255	0–100%
8	Fijn blauw	000 ⇔ 255	0–100%
9	Amber	000 ⇔ 255	0–100%
10	Fijn amber	000 ⇔ 255	0–100%
11	Wit	000 ⇔ 255	0–100%
12	Fijn wit	000 ⇔ 255	0–100%
13	Kleur macro's	000 ⇔ 255	Zie Kleuren macrodiagram
14	Kleurtemperaturen	000 ⇔ 255	Zie Kleurtemperatuur-kaart
15	Stroboscoop	000 ⇔ 009	Geen functie
		010 ⇔ 099	Stroboscoop, langzaam naar snel
		100 ⇔ 109	Geen functie
		110 ⇔ 179	Bliksemeffect, langzaam naar snel
		180 ⇔ 189	Geen functie
		190 ⇔ 255	Willekeurige stroboscoop, langzaam naar snel
16	Dimmersnelheid	000 ⇔ 009	Voorinstelling van de dimmersnelheid vanaf het displaymenu
		010 ⇔ 029	Dimmer snelheidsmodus uit
		030 ⇔ 069	Dimmer snelheidsmodus 1 (snel)
		070 ⇔ 129	Dimmer snelheidsmodus 2
		130 ⇔ 189	Dimmer snelheidsmodus 3
		190 ⇔ 255	Dimmer snelheidsmodus 4 (langzaam)

NL

1 Cell RGBAW FIN (10 kanalen)

Kanaal	Functie	Waarde	Percentage/Instelling
1	Rood	000 ⇔ 255	0–100%
2	Fijn rood	000 ⇔ 255	0–100%
3	Groen	000 ⇔ 255	0–100%
4	Fijn groen	000 ⇔ 255	0–100%
5	Blauw	000 ⇔ 255	0–100%
6	Fijn blauw	000 ⇔ 255	0–100%
7	Amber	000 ⇔ 255	0–100%
8	Fijn amber	000 ⇔ 255	0–100%
9	Wit	000 ⇔ 255	0–100%
10	Fijn wit	000 ⇔ 255	0–100%

1 Cell RGBAW EXT (10 kanalen)

Kanaal	Functie	Waarde	Percentage/Instelling
1	Dimmer	000 ⇔ 255	0–100%
2	Fijne Dimmer	000 ⇔ 255	0–100%
3	Rood	000 ⇔ 255	0–100%
4	Groen	000 ⇔ 255	0–100%
5	Blauw	000 ⇔ 255	0–100%
6	Amber	000 ⇔ 255	0–100%
7	Wit	000 ⇔ 255	0–100%
8	Kleur macro's	000 ⇔ 255	Zie Kleuren macrodiagram
9	Kleurtemperaturen	000 ⇔ 255	Zie Kleurtemperatuur-kaart
10	Stroboscoop	000 ⇔ 009	Geen functie
		010 ⇔ 099	Stroboscoop, langzaam naar snel
		100 ⇔ 109	Geen functie
		110 ⇔ 179	Bliksem-effect, langzaam naar snel
		180 ⇔ 189	Geen functie
		190 ⇔ 255	Willekeurige stroboscoop, langzaam naar snel

1 Cell RGBAW (5 kanalen)

Kanaal	Functie	Waarde	Percentage/Instelling
1	Rood	000 ⇔ 255	0–100%
2	Groen	000 ⇔ 255	0–100%
3	Blauw	000 ⇔ 255	0–100%
4	Amber	000 ⇔ 255	0–100%
5	Wit	000 ⇔ 255	0–100%

1 Cell RGBA EXT (9 kanalen)

Kanaal	Functie	Waarde	Percentage/Instelling
1	Dimmer	000 ⇔ 255	0–100%
2	Fijne Dimmer	000 ⇔ 255	0–100%
3	Rood	000 ⇔ 255	0–100%
4	Groen	000 ⇔ 255	0–100%
5	Blauw	000 ⇔ 255	0–100%
6	Amber	000 ⇔ 255	0–100%
7	Kleur macro's	000 ⇔ 255	Zie Kleuren macrodiagram
8	Kleurtemperaturen	000 ⇔ 255	Zie Kleurtemperatuur-kaart
9	Stroboscoop	000 ⇔ 009	Geen functie
		010 ⇔ 099	Stroboscoop, langzaam naar snel
		100 ⇔ 109	Geen functie
		110 ⇔ 179	Bliksemeffect, langzaam naar snel
		180 ⇔ 189	Geen functie
		190 ⇔ 255	Willekeurige stroboscoop, langzaam naar snel

1 Cell RGBA (4 kanalen)

Kanaal	Functie	Waarde	Percentage/Instelling
1	Rood	000 ⇔ 255	0–100%
2	Groen	000 ⇔ 255	0–100%
3	Blauw	000 ⇔ 255	0–100%
4	Amber	000 ⇔ 255	0–100%

1 Cell RGB EXT (8 kanalen)

Kanaal	Functie	Waarde	Percentage/Instelling
1	Dimmer	000 ⇔ 255	0–100%
2	Fijne Dimmer	000 ⇔ 255	0–100%
3	Rood	000 ⇔ 255	0–100%
4	Groen	000 ⇔ 255	0–100%
5	Blauw	000 ⇔ 255	0–100%
6	Kleur macro's	000 ⇔ 255	Zie Kleuren macrodiagram
7	Kleurtemperaturen	000 ⇔ 255	Zie Kleurtemperatuur-kaart
8	Stroboscoop	000 ⇔ 009	Geen functie
		010 ⇔ 099	Stroboscoop, langzaam naar snel
		100 ⇔ 109	Geen functie
		110 ⇔ 179	Bliksemeffect, langzaam naar snel
		180 ⇔ 189	Geen functie
		190 ⇔ 255	Willekeurige stroboscoop, langzaam naar snel

1 Cell RGB (3 kanalen)

Kanaal	Functie	Waarde	Percentage/Instelling
1	Rood	000 ⇔ 255	0–100%
2	Groen	000 ⇔ 255	0–100%
3	Blauw	000 ⇔ 255	0–100%

Contact Us

General Information	Technical Support
Chauvet World Headquarters	
Address: 5200 NW 108th Ave. Sunrise, FL 33351 Voice: (954) 577-4455 Fax: (954) 929-5560 Toll Free: (800) 762-1084	Voice: (844) 393-7575 Fax: (954) 756-8015 Email: chauvetcs@chauvetlighting.com Website: www.chauvetprofessional.com
Chauvet Europe Ltd.	
Address: Unit 1C Brookhill Road Industrial Estate Pinxton, Nottingham, UK NG16 6NT Voice: +44 (0) 1773 511115 Fax: +44 (0) 1773 511110	Email: UKtech@chauvetlighting.eu Website: www.chauvetprofessional.eu
Chauvet Europe BVBA	
Address: Stokstraat 18 9770 Kruishoutem Belgium Voice: +32 9 388 93 97	Email: BNLtech@chauvetlighting.eu Website: www.chauvetprofessional.eu
Chauvet France	
Address: 3, Rue Ampère 91380 Chilly-Mazarin France Voice: +33 1 78 85 33 59	Email: FRtech@chauvetlighting.fr Website: www.chauvetprofessional.eu
Chauvet Germany	
Address: Bruno-Bürgel-Str. 11 28759 Bremen Germany Voice: +49 421 62 60 20	Email: DEtech@chauvetlighting.de Website: www.chauvetprofessional.eu
Chauvet Mexico	
Address: Av. de las Partidas 34 - 3B (Entrance by Calle 2) Zona Industrial Lerma Lerma, Edo. de México, CP 52000 Voice: +52 (728) 690-2010	Email: servicio@chauvet.com.mx Website: www.chauvetprofessional.mx

Visit the applicable website above to verify our contact information and instructions to request support. Outside the US, UK, Ireland, Mexico, France, Germany, or Benelux, contact the dealer of record.

