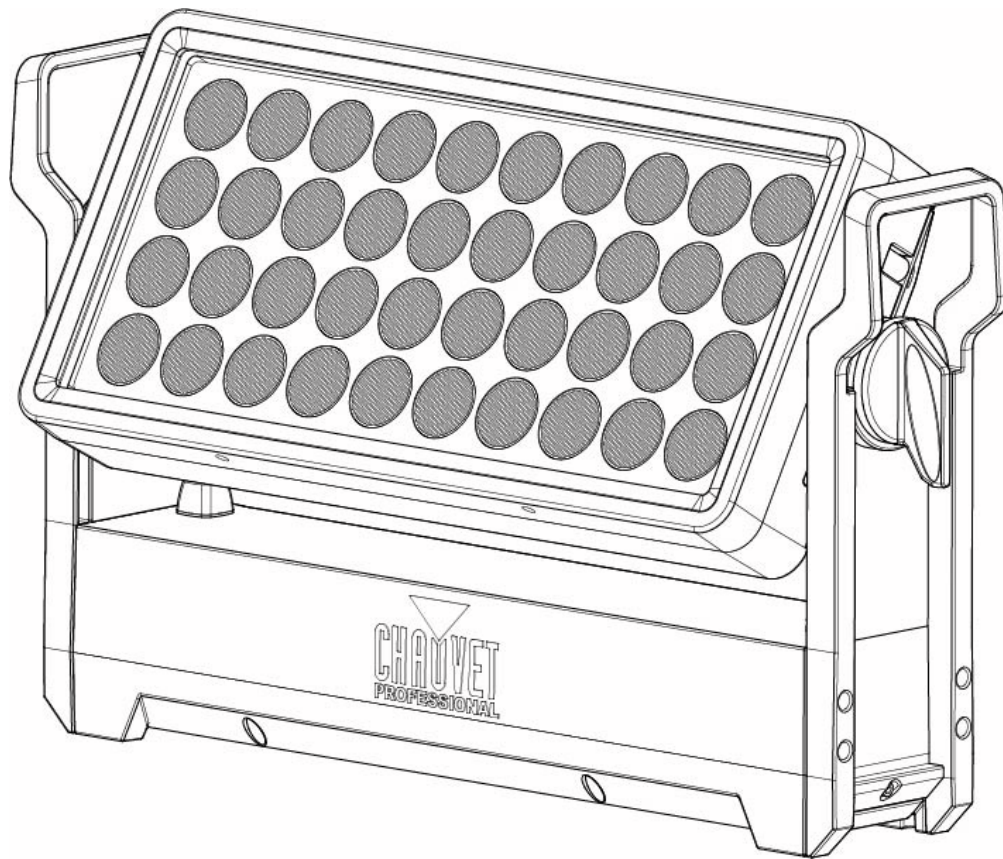


COLORADO *P*ANEL Q40

User Manual




CHAUVET
PROFESSIONAL

Edition Notes

The COLORado Panel Q40 User Manual includes a description, safety precautions, installation, programming, operation and maintenance instructions for the COLORado Panel Q40 as of the release date of this edition.

Trademarks

CHAUVET, the Chauvet logo and COLORado Panel Q40 are registered trademarks or trademarks of Chauvet & Sons, LLC (d/b/a Chauvet and Chauvet Lighting) in the United States and other countries. Other company and product names and logos referred to herein may be trademarks of their respective companies.

Copyright Notice

The works of authorship contained in this manual, including, but not limited to, all design, text and images are owned by Chauvet.

© Copyright 2019 Chauvet & Sons, LLC. All rights reserved.

Electronically published by Chauvet in the United States of America.

Manual Use

Chauvet authorizes its customers to download and print this manual for professional information purposes only. Chauvet expressly prohibits the usage, copy, storage, distribution, modification, or printing of this manual or its content for any other purpose without written consent from Chauvet.

Document Printing

For best results, print this document in color, on letter size paper (8.5 x 11 in), double-sided. If using A4 paper (210 x 297 mm), configure the printer to scale the content accordingly.

Intended Audience

Any person installing, operating, and/or maintaining this product should completely read through the guide that shipped with the product, as well as this manual, before installing, operating, or maintaining this product.

Disclaimer

Chauvet believes that the information contained in this manual is accurate in all respects. However, Chauvet assumes no responsibility and specifically disclaims any and all liability to any party for any loss, damage or disruption caused by any errors or omissions in this document, whether such errors or omissions result from negligence, accident or any other cause. Chauvet reserves the right to revise the content of this document without any obligation to notify any person or company of such revision, however, Chauvet has no obligation to make, and does not commit to make, any such revisions. Download the latest version from www.chauvetprofessional.com.

Document Revision

This COLORado Panel Q40 User Manual is the 2nd edition of this document. Go to www.chauvetprofessional.com for the latest version.

TABLE OF CONTENTS

1. Before You Begin	1
What Is Included	1
Claims	1
Manual Conventions	1
Symbols	1
Safety Notes.....	2
Personal Safety.....	2
Mounting and Rigging	2
Power and Wiring.....	2
Operation	2
RF Exposure Warning for North America, and Australia.....	2
Expected LED Lifespan.....	2
2. Introduction	3
Description	3
Features.....	3
Product Overview.....	3
Product Dimensions	4
3. Setup	5
AC Power.....	5
AC Plug.....	5
Power Linking.....	5
DMX Linking.....	5
DMX Personalities.....	5
Remote Device Management (RDM).....	5
Wireless Operation.....	6
Initial Setup	6
Configuration.....	6
Product Pairing.....	6
Master/Slave Connectivity.....	6
Mounting	7
Orientation.....	7
Rigging	7
Procedure.....	7
Changing the Filter.....	7
4. Operation	8
Control Panel Operation.....	8
Battery Powered Display.....	8
Control Options	8
Programming.....	8
Control Panel Lock.....	8
Passcode	8
Menu Map	9
Configuration (DMX)	10
Control Personalities	10
Starting Address.....	10

DMX Values	11
Zones for DMX Control	11
23Ch.....	11
16Ch.....	12
11Ch.....	12
7Ch.....	13
4Ch.....	14
Configuration (Standalone)	14
Static Mode	14
Auto Programs	14
Configuration (Settings)	14
Master/Slave	14
Dimmer Profiles.....	14
White Balance.....	15
LED Frequency	15
Fan Mode.....	15
Back Light	15
System Information	15
Factory Reset.....	15
5. Technical Information	16
Product Maintenance	16
6. Technical Specifications	17
Photometrics Charts.....	18
Returns.....	19
Contact Us	20

Before You Begin

1. Before You Begin

What Is Included

- COLORado Panel Q40
- Seetronic Powerkon IP65 Power Cord
- Color Blending Filter Lens
- Omega Bracket with Mounting Hardware
- Quick Reference Guide

Claims

Carefully unpack the product immediately and check the container to make sure all the parts are in the package and are in good condition.





If the box or the contents (the product and included accessories) appear damaged from shipping, or show signs of mishandling, notify the carrier immediately, not Chauvet. Failure to report damage to the carrier immediately may invalidate your claim. In addition, keep the box and contents for inspection.

For other issues, such as missing components or parts, damage not related to shipping, or concealed damage, file a claim with Chauvet within 7 days of delivery.

Manual Conventions

Convention	Meaning
1–512	A range of values
50/60	A set of values of which only one can be chosen
<SET>	A button on the product's control panel
Settings	A product function or a menu option

Symbols

Symbol	Meaning
	Electrical warning. Not following these instructions may cause electrical damage to the product, accessories, or the user.
	Critical installation, configuration, or operation information. Not following these instructions may make the product not work, cause damage to the product, or cause harm to the operator.
	Important installation or configuration information. The product may not function correctly if this information is not used.
	Useful information.



Any reference to data or power connections in this manual assumes the use of Seetronic IP rated cables.



The term “DMX” used throughout this manual refers to the USITT DMX512-A digital data transmission protocol.

Safety Notes

Read all the following safety notes before working with this product. These notes contain important information about the installation, usage, and maintenance of this product.



This product contains no user-serviceable parts. Any reference to servicing in this User Manual will only apply to properly trained, certified technicians. Do not open the housing or attempt any repairs.



All applicable local codes and regulations apply to proper installation of this product.

Personal Safety

- Avoid direct eye exposure to the light source while the product is on.
- Always disconnect the product from the power source before cleaning or replacing the fuse.
- Always connect the product to a grounded circuit to avoid the risk of electrocution.
- Do not touch the product's housing when operating because it may be very hot.

Mounting and Rigging

- Do not submerge this product (IP65). Temporary outdoor operation is fine.
- When using this product in an outdoor environment, use IP65 (or higher) rated power and data cables. Secure unused power and data ports with attached IP65 covers.
- CAUTION: When transferring product from extreme temperature environments, (e.g., cold truck to warm, humid ballroom) condensation may form on the internal electronics of the product. To avoid causing a failure, allow product to fully acclimate to the surrounding environment before connecting it to power.
- Not for permanent outdoor installation in locations with extreme environmental conditions. This includes, but is not limited to:
 - Exposure to a marine/saline environment (within 3 miles of a saltwater body of water).
 - Locations where the normal high or low temperatures exceed the temperature ranges in this manual.
 - Locations that are prone to flooding or being buried in snow.
 - Areas where the product will be subjected to extreme radiation or caustic substances.
- Mount this product in a location with adequate ventilation, at least 20 in (50 cm) from adjacent surfaces.
- Make sure there are no flammable materials close to the product when operating.
- When hanging this product, always secure to a fastening device using a safety cable.

Power and Wiring

- Always make sure you are connecting the product to the proper voltage in accordance with the specifications in this manual or on the product's specification label.
- Never connect the product to a dimmer pack or rheostat.
- Never disconnect this product by pulling or tugging on the power cable.

Operation

- Do not operate this product if there is damage on the housing, lenses, or cables. Have the damaged parts replaced by an authorized technician at once.
- Do not cover the ventilation slots when operating to avoid internal overheating.
- The maximum ambient temperature is 113 °F (45 °C). Do not operate the product at higher temperatures.
- The minimum startup temperature is -4°F (-20°C). Do not start the product at lower temperatures.
- The minimum ambient temperature is -22°F (-30°C). Do not operate the product at lower temperatures.
- In the event of a serious operation problem, stop using this product immediately!



If your Chauvet product requires service, contact Chauvet Technical Support.

RF Exposure Warning for North America, and Australia

Warning! This equipment complies with FCC radiation exposure limits set forth for an uncontrolled environment. This equipment should be installed and operated with a minimum distance of 20cm between the radiator and your body. This transmitter must not be co-located or operating in conjunction with any other antenna or transmitter.

Expected LED Lifespan

Over time, use and heat will gradually reduce LED brightness. Clustered LEDs produce more heat than single LEDs, contributing to shorter lifespans if always used at full intensity. The average LED lifespan is 40,000 to 50,000 hours. To extend LED lifespan, maintain proper ventilation around the product, and limit the overall intensity.

2. Introduction

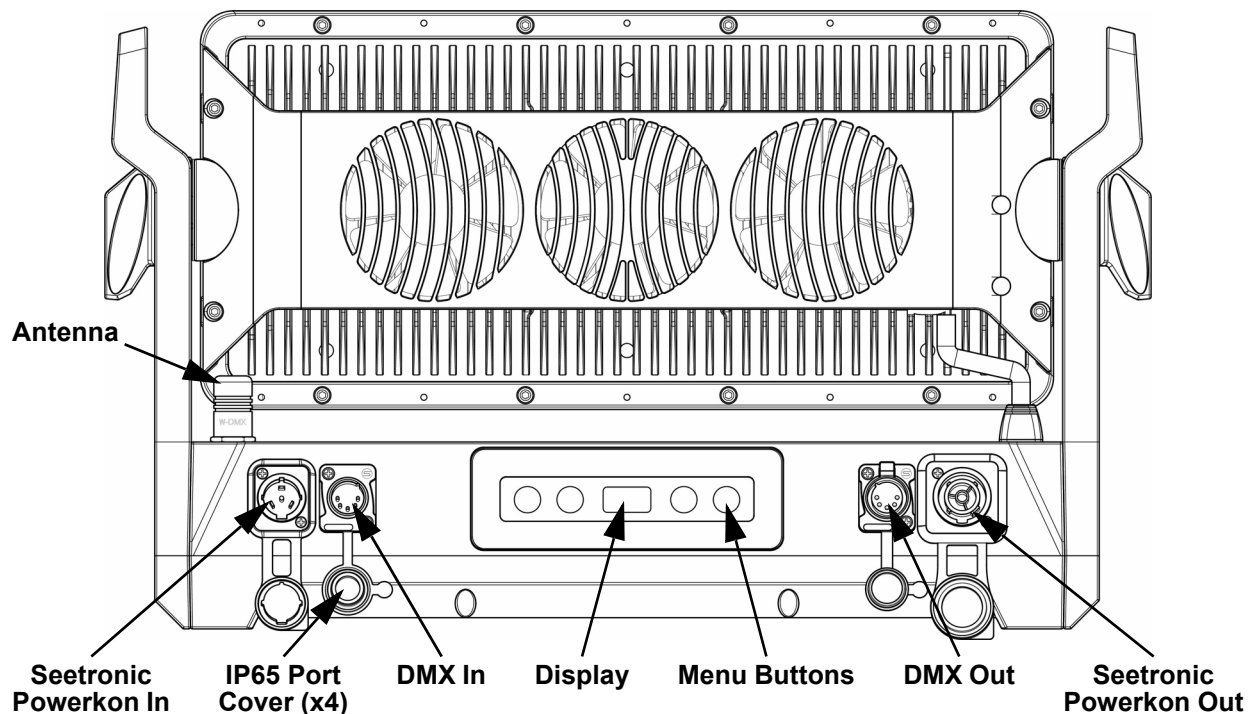
Description

The COLORado Panel Q40 is a rugged wash powered by 40 15 W RGBW LEDs. Advanced optics provide exceptional color mixing. The COLORado Panel Q40 is IP65 rated and features IP rated power and DMX connections.

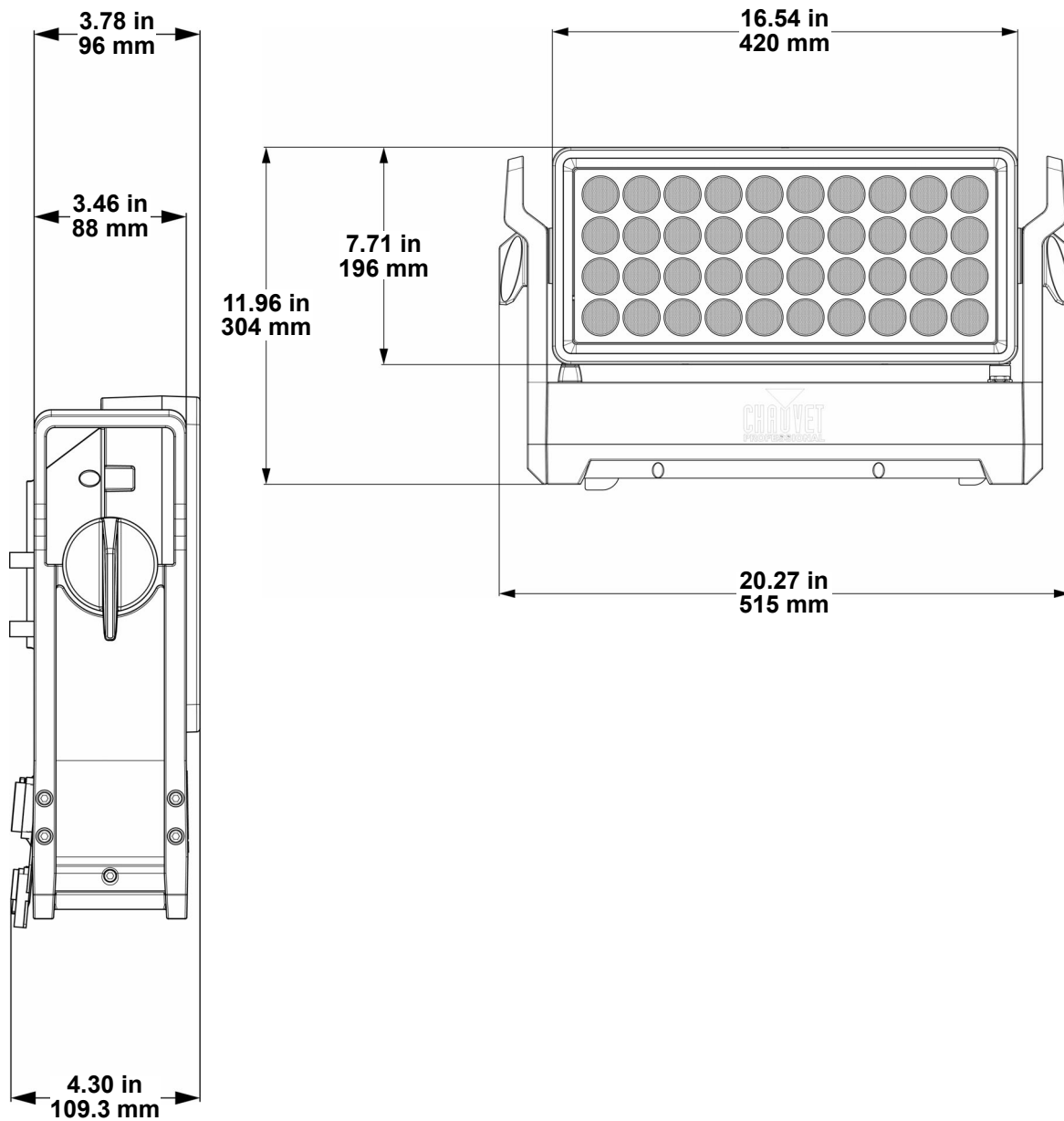
Features

- Operating modes:
 - 4Ch: RGBW
 - 7Ch: 16-bit dimmer, RGBW, strobe
 - 11Ch: 16-bit dimmer, RGBW, strobe, color macro, auto program, auto speed, dimmer speed
 - 16Ch: 4-zone RGBW
 - 23Ch: 16-bit dimmer, 4-zone RGBW, strobe, color macro, auto program, auto speed, dimmer speed
- Rugged RGBW LED wash for events where indoor/outdoor flexibility is needed
- Superior edge-to-edge color mixing
- At home in any weather conditions with IP rated power and DMX connections
- Included magnetic flood filter for wide area wash
- Adjustable PWM (Pulse Width Modulation) to avoid flickering on camera
- WDMX and RDM (Remote Device Management) for added flexibility
- Selectable, smooth dimming curves for eliminate flicker and choppiness in fades
- Easy to read OLED display with password protection and touchscreen interface
- Advanced optics provide exceptional color mixing and high efficiency
- Included omega bracket for quick and easy truss/pipe mounting

Product Overview



Product Dimensions



3. Setup

AC Power

Each COLORado Panel Q40 has an auto-ranging power supply that works with an input voltage range of 100 to 240 VAC, 50/60 Hz. To determine the power requirements for each COLORado Panel Q40, refer to the label affixed to the product. You can also refer to the Technical Specifications chart in this manual.

The listed current rating indicates the maximum current draw during normal operation. For more information, download Sizing Circuit Breakers from the Chauvet website: www.chauvetprofessional.com.



- **Always connect the product to a protected circuit (circuit breaker or fuse). Make sure the product has an appropriate electrical ground to avoid the risk of electrocution or fire.**
- **To eliminate unnecessary wear and improve its lifespan, during periods of non-use completely disconnect the product from power via breaker or by unplugging it.**



Never connect the product to a rheostat (variable resistor) or dimmer circuit, even if the rheostat or dimmer channel serves only as a 0 to 100% switch.

AC Plug

The COLORado Panel Q40 comes with a power input cord terminated with a Seetronic Powerkon A connector on one end and an Edison plug on the other end (U.S. market). If the power input cord that came with your product has no plug, or if you need to change the plug, use the table below to wire the new plug.

Connection	Wire (U.S.)	Wire (Europe)	Screw Color
AC Live	Black	Brown	Yellow or Brass
AC Neutral	White	Blue	Silver
AC Ground	Green/Yellow	Green/Yellow	Green

Power Linking

The product supports power linking. You can power link up to 2 products at 120 V; up to 4 at 208 V; or up to 5 at 230 V.

This product comes with a power input cord. Power linking cables are available from Chauvet for purchase.



- **To preserve the IP65 rating and the warranty of this product Seetronic Powerkon cables must be used.**
- **Insert the attached IP65 rated plugs into the corresponding power/data connections when not in use.**

DMX Linking

You can link the COLORado Panel Q40 to a DMX controller using a 5-pin DMX connection. If using other DMX-compatible products with this product, you can control each individually with a single DMX controller.

DMX Personalities

The COLORado Panel Q40 uses a 5-pin DMX data connection for the **4Ch**, **7Ch**, **11Ch**, **16Ch**, and **23Ch** DMX personalities.

- Refer to the [Introduction](#) chapter for a brief description of each DMX personality.
- Refer to the [Operation](#) chapter to learn how to configure the COLORado Panel Q40 to work in these personalities.
- The [DMX Values](#) section provides detailed information regarding the control personalities.



If you are not familiar with or need more information about DMX standards, Master/Slave connectivity, or the DMX cables needed to link this product to a DMX controller, download the DMX Primer from the Chauvet website: www.chauvetprofessional.com.

Remote Device Management (RDM)

Remote Device Management, or RDM, is a standard for allowing DMX-enabled devices to communicate bi-directionally along existing DMX cabling. Check the DMX controller's User Manual or with the manufacturer as not all DMX controllers have this capability. The COLORado Panel Q40 supports RDM protocol that allows feedback to make changes to menu map options.

Wireless Operation

In optimal conditions, the COLORado Panel Q40 can operate up to 300 m (900 ft) away from the W-DMX transmitter. The W-DMX receiver in the COLORado Panel Q40 must be paired with the W-DMX transmitter for wireless operation.



Once a WDMX receiver has been linked to a specific WDMX transmitter, it will remain linked to that specific transmitter until it is linked to a different one.

Initial Setup

1. Turn the W-DMX transmitter on.
2. Connect the W-DMX transmitter to a DMX controller.
3. Place the COLORado Panel Q40 within 300 m from the W-DMX transmitter.
4. Disconnect any DMX cable from the COLORado Panel Q40.
5. Turn the COLORado Panel Q40 on.

Configuration

1. From the COLORado Panel Q40 control panel, go to **DMX Address**.
2. Select the start address, as with any other DMX compatible product.
3. Go to **Wireless Setting > Receive On/Off**.
4. Select **On**. (The Signal Strength Indicator will show a ? in front of the bars).
5. Press the reset button on the W-DMX transmitter. (The Signal Strength Indicator on the COLORado Panel Q40 will show a ⚡ in front of the bars for 3 seconds while a connection is established.)

Product Pairing

If the COLORado Panel Q40 has already been paired with the W-DMX transmitter, the Signal Strength Indicator in the middle of the OLED screen will show the strength of the signal. In this case, the COLORado Panel Q40 is ready to work in Wireless mode.

Pairing the COLORado Panel Q40 and a new W-DMX transmitter:

1. From the COLORado Panel Q40 control panel, go to **Wireless Setting > Receive Reset**.
2. Select **Yes**. The Signal Strength Indicator on the COLORado Panel Q40 will show a ? in front of the bars.
3. From the W-DMX transmitter, press **<RESET>** (the Signal Indicator on the transmitter will flash).
4. Once the transmitter has found the COLORado Panel Q40, the Signal indicator on the W-DMX transmitter will illuminate solid.
5. The Signal Strength Indicator in the middle of the OLED screen on the COLORado Panel Q40 will show the strength of the signal.



W-DMX operation can be interrupted or inhibited by liquid masses between the transmitter and receiver such as water, snow, or people. For best results, keep the area between the transmitter and receiver clear of any liquid mass.

Master/Slave Connectivity

The Master/Slave mode allows an COLORado Panel Q40 (the master) to control one or more COLORado Panel Q40 products (the slaves) without a DMX controller. One COLORado Panel Q40 becomes the master when running an auto program, or by being in Static mode.

You must configure each slave's control panel to operate in Slave mode. During Master/Slave operation, the slaves will operate in unison with the master.



DO NOT connect a DMX controller to products operating in Master/Slave mode. The DMX controller signals may interfere with the signals from the master.



- The [Operation](#) section of this manual provides detailed instructions on how to configure the master and slaves.
- If you are not familiar with or need more information about DMX standards, or the DMX cables needed to link this product to a DMX controller, download the DMX Primer from the Chauvet website: www.chauvetprofessional.com.

Setup

Mounting

Before mounting the product, read and follow the safety recommendations indicated in the Safety Notes. For our CHAUVET Professional line of mounting clamps, go to <http://trusst.com/products/>.

Orientation

Always mount this product in a safe position, making sure there is adequate room for ventilation, configuration, and maintenance.

Rigging

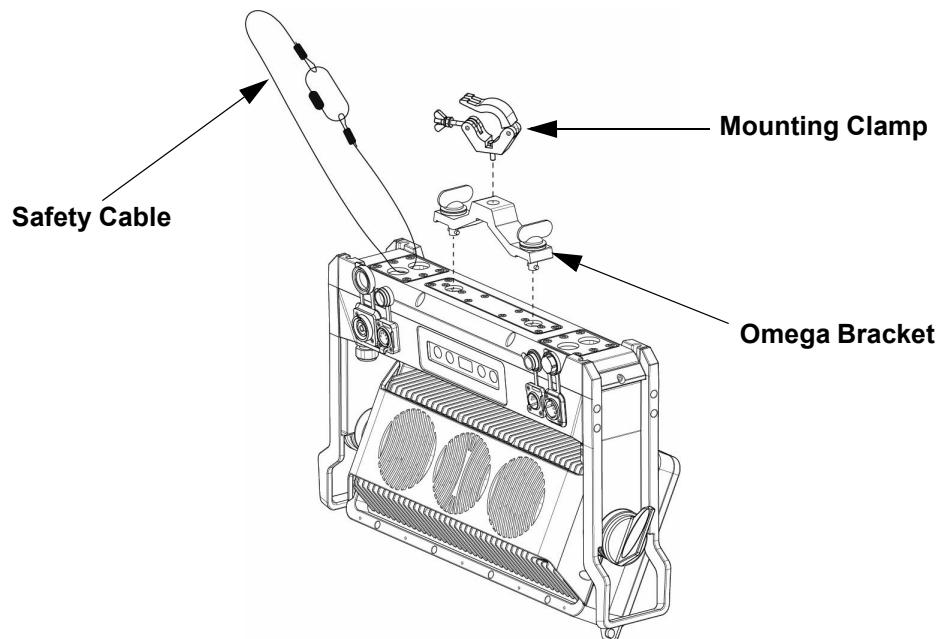
Chauvet recommends using the following general guidelines when mounting this product.

- Before deciding on a location for the product, make sure there is easy access to the product for maintenance and programming purposes.
- Make sure that the structure onto which you are mounting the product can support the product's weight. See the [Technical Specifications](#) for weight information.
- When mounting the product overhead, always use a safety cable. Mount the product securely to a rigging point, whether an elevated platform or a truss.
- When rigging the product onto a truss, use a mounting clamp of appropriate weight capacity.
- When power linking multiple products, mount the products close enough for power linking cables to reach.
- The bracket adjustment knobs allow for directional adjustment when aiming the product to the desired angle. Only loosen or tighten the bracket knobs manually. Using tools could damage the knobs.

Procedure

The COLORado Panel Q40 comes with a bracket to which you can attach a mounting clamp directly. Mounting clamps are sold separately. Make sure the clamps are capable of supporting the weight of this product. Use at least one mounting point per product. For the CHAUVET Professional line of mounting clamps, go to <http://www.trusst.com/products>.

Mounting Diagram



Changing the Filter

To change the filter on the COLORado Panel Q40, remove the magnetic filter frame from the front of the product and pull back on the magnetic catch. The filter can then be removed and replaced.

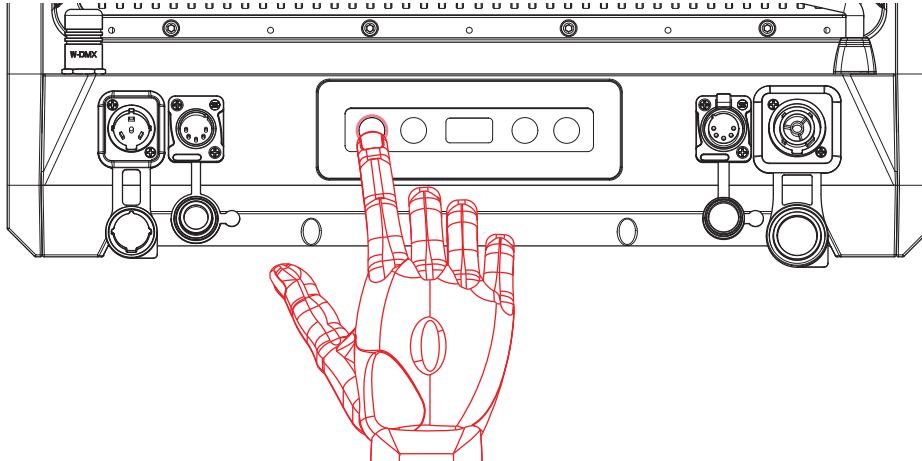
4. Operation

Control Panel Operation

Button	Function
<MENU>	Exits from the current menu or function
<ENTER>	Enables the currently displayed menu or sets the currently selected value in to the current function
<UP>	Navigates upward through the menu list or increases the numeric value when in a function
<DOWN>	Navigates downward through the menu list or decreases the numeric value when in a function

Battery Powered Display

Press and hold until menu screen appears (approximately 15 seconds).



Control Options

Set the COLORado Panel Q40 starting address in the 001–512 DMX range. This enables control of up to 22 products in the 23-channel **23Ch** personality.

Programming

Refer to the Menu Map to understand the menu options. The menu map shows the main level and a variable number of programming levels for each option.

- To go to the desired main level, press <MENU> repeatedly until the option shows on the display. Press <ENTER> to select. This will take you to the first programming level for that option.
- To select an option or value within the current programming level, press <UP> or <DOWN> until the option shows on the display. Press <ENTER> to select. In this case, if there is another programming level, you will see that first option, or you will see the selected value.
- Press <MENU> repeatedly to exit to the previous main level.

Control Panel Lock

The setting locks or unlocks the control panel.

1. Go to the **Key Lock** main level.
2. Select **On** (locks control panel) or **Off** (control panel stays unlocked).



When the control panel lock is activated, the product will prompt for the passcode in order to access the menu. Enter the passcode as described below.

Passcode

After being prompted to enter the passcode, press <UP>, <DOWN>, <UP>, <DOWN>, <ENTER>.

Menu Map

Main Level	Programming Levels		Description	
DMX Address	<001–509>		Selects DMX address (highest channel restricted to personality chosen)	
DMX Channel	4Ch		4-channel: RGBW	
	7Ch		7-channel: 16-bit dimmer, RGBW, strobe	
	11Ch		11-channel: 16-bit dimmer, RGBW, strobe, color macro, auto program, auto speed, dimmer speed	
	16Ch		16-channel: 4-zone RGBW	
	23Ch		23-channel: 16-bit dimmer, 4-zone RGBW, strobe, color macro, auto program, auto speed, dimmer speed	
Static	Fixed Color	R	Red	
		G	Green	
		B	Blue	
		W	White	
		GB	Green and blue	
		RB	Red and blue	
		RG	Red and green	
		RGB	Red, green, and blue	
		RW	Red and white	
		GW	Green and white	
		BW	Blue and white	
		RGW	Red, green, and white	
		RBW	Red, blue, and white	
	GBW	Green, blue, and white		
	RGBW	Red, green, blue, and white		
Manual Color Mixer	Red	0–255	Combine red, green, blue, and white to make a custom color	
	Green			
	Blue			
	White			
Auto Show	Auto 1–11	<001–100>	Automatic programs and program speed	
Master/Slave Mode	Master		DMX mode (Master)	
	Slave		Slave mode	
Dimmer Mode	Off		Linear dimmer	
	Dimmer 1–3		Dimming curves Dimmer 1 (fast) to Dimmer 3 (slow)	
White Balance	Manual	Off	Uses factory default white setting	
		Red	125–255	Sets red LED maximum value
		Green		Sets green LED maximum value
		Blue		Sets blue LED maximum value
	White	Sets white LED maximum value		
Legacy	On	Matches output to previous COLORado Panel Q40 models		
		Off		
LED Frequency	600Hz		Sets the PWM frequency	
	1200Hz			
	2000Hz			
	4000Hz			
	6000Hz			
	25KHz			

Main Level	Programming Levels		Description
Fan Mode	Auto		Sets the fan to auto mode
	On		Sets the fan to always on
Wireless Setting	Receive On/Off	On	Enables/disables wireless DMX
		Off	
	Receive Reset	No	Resets wireless DMX receiver
		Yes	
Back Light	On		Display backlight always on
	10S		Turns off display backlight after 10 seconds of inactivity
	20S		Turns off display backlight after 20 seconds of inactivity
	30S		Turns off display backlight after 30 seconds of inactivity
Key Lock	On		Locks display (password is <UP>, <DOWN>, <UP>, <DOWN>, <ENTER>)
	Off		
Information	Fixture Hours	<_ _ _ _ H>	Shows total hours the product has been on
	Version	<V _ . _>	Shows current firmware version
	UID	<_ _ _ _ _>	Shows product UID
	Battery	<_ _ _ _ %>	Shows remaining battery power
Reset Factory	No		Resets the product to factory default settings
	Yes		

Configuration (DMX)

Use control configurations to operate the product with a DMX controller. See [Wireless Operation](#) for instructions on configuring the product for wireless DMX.

Control Personalities

This setting allows you to choose a particular control personality.

- Go to the **DMX Channel** main level.
- Select the desired personality (see table below).

Personality	Channels
4Ch	4
7Ch	7
11Ch	11
16Ch	16
23Ch	23



- See the [Starting Address](#) section for the highest starting address you can select for each personality.
- Make sure that the starting addresses on the various products do not overlap due to the new personality setting.

Starting Address

Each product will respond to a unique starting address from the DMX controller. All products with the same starting address will respond in unison.

- Go to the **DMX Address** main level.
- Select the starting address (**001–509**).

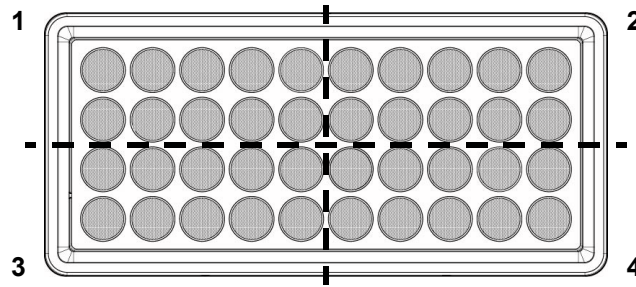
The highest recommended starting address for each DMX mode is as follows:

Personality	Address
4Ch	509
7Ch	506
11Ch	502
16Ch	497
23Ch	490

Operation

DMX Values

Zones for DMX Control



23Ch

Channel	Function	Value	Percent/Setting
1	Dimmer	000 ⇔ 255	0–100%
2	Fine Dimmer	000 ⇔ 255	0–100%
3	Red 1	000 ⇔ 255	0–100%
4	Green 1	000 ⇔ 255	0–100%
5	Blue 1	000 ⇔ 255	0–100%
6	White 1	000 ⇔ 255	0–100%
7	Red 2	000 ⇔ 255	0–100%
8	Green 2	000 ⇔ 255	0–100%
9	Blue 2	000 ⇔ 255	0–100%
10	White 2	000 ⇔ 255	0–100%
11	Red 3	000 ⇔ 255	0–100%
12	Green 3	000 ⇔ 255	0–100%
13	Blue 3	000 ⇔ 255	0–100%
14	White 3	000 ⇔ 255	0–100%
15	Red 4	000 ⇔ 255	0–100%
16	Green 4	000 ⇔ 255	0–100%
17	Blue 4	000 ⇔ 255	0–100%
18	White 4	000 ⇔ 255	0–100%
19	Strobe	000 ⇔ 010 011 ⇔ 255	No function Strobe, slow to fast
20	Color Macro	000 ⇔ 010	No function
		011 ⇔ 030	R: 100% G: 0–100% B: 0%
		031 ⇔ 050	R: 100–0% G: 100% B: 0%
		051 ⇔ 070	R: 0% G: 100% B: 0–100%
		071 ⇔ 090	R: 0% G: 100–0% B: 100%
		091 ⇔ 110	R: 0–100% G: 0% B: 100%
		111 ⇔ 130	R: 100% G: 0% B: 100–0%
		131 ⇔ 150	R: 100% G: 0–100% B: 0–100%
		151 ⇔ 170	R: 100% G: 100–0% B: 100%
		171 ⇔ 200	R: 100% G: 100% B: 100%
		201 ⇔ 205	Color temperature 1
		206 ⇔ 210	Color temperature 2
		211 ⇔ 215	Color temperature 3
		216 ⇔ 220	Color temperature 4
		221 ⇔ 225	Color temperature 5
		226 ⇔ 230	Color temperature 6
		231 ⇔ 235	Color temperature 7
236 ⇔ 240	Color temperature 8		
241 ⇔ 245	Color temperature 9		
246 ⇔ 250	Color temperature 10		
251 ⇔ 255	Color temperature 11		

Channel	Function	Value	Percent/Setting
21	Auto Programs	000 ⇔ 010	No function
		011 ⇔ 032	Auto program 1
		033 ⇔ 054	Auto program 2
		055 ⇔ 076	Auto program 3
		077 ⇔ 098	Auto program 4
		099 ⇔ 120	Auto program 5 (Auto program 1–4)
		121 ⇔ 142	Auto program 6
		143 ⇔ 164	Auto program 7
		165 ⇔ 186	Auto program 8
		187 ⇔ 208	Auto program 9
		209 ⇔ 230	Auto program 10
231 ⇔ 255	Auto program 11 (Auto program 6–10)		
22	Auto Program Speed	000 ⇔ 255	Auto speed, slow to fast
23	Dimmer Speed Mode	000 ⇔ 051	Preset dimmer speed from display menu
		052 ⇔ 101	Dimmer speed mode off
		102 ⇔ 152	Dimmer speed mode 1 (fastest)
		153 ⇔ 203	Dimmer speed mode 2
		204 ⇔ 255	Dimmer speed mode 3 (slowest)

16Ch

Channel	Function	Value	Percent/Setting
1	Red 1	000 ⇔ 255	0–100%
2	Green 1	000 ⇔ 255	0–100%
3	Blue 1	000 ⇔ 255	0–100%
4	White 1	000 ⇔ 255	0–100%
5	Red 2	000 ⇔ 255	0–100%
6	Green 2	000 ⇔ 255	0–100%
7	Blue 2	000 ⇔ 255	0–100%
8	White 2	000 ⇔ 255	0–100%
9	Red 3	000 ⇔ 255	0–100%
10	Green 3	000 ⇔ 255	0–100%
11	Blue 3	000 ⇔ 255	0–100%
12	White 3	000 ⇔ 255	0–100%
13	Red 4	000 ⇔ 255	0–100%
14	Green 4	000 ⇔ 255	0–100%
15	Blue 4	000 ⇔ 255	0–100%
16	White 4	000 ⇔ 255	0–100%

11Ch

Channel	Function	Value	Percent/Setting
1	Dimmer	000 ⇔ 255	0–100%
2	Fine Dimmer	000 ⇔ 255	0–100%
3	Red	000 ⇔ 255	0–100%
4	Green	000 ⇔ 255	0–100%
5	Blue	000 ⇔ 255	0–100%
6	White	000 ⇔ 255	0–100%
7	Strobe	000 ⇔ 010	No function
		011 ⇔ 255	Strobe, slow to fast

Channel	Function	Value	Percent/Setting
8	Color Macro	000 ⇔ 010	No function
		011 ⇔ 030	R: 100% G: 0–100% B: 0%
		031 ⇔ 050	R: 100–0% G: 100% B: 0%
		051 ⇔ 070	R: 0% G: 100% B: 0–100%
		071 ⇔ 090	R: 0% G: 100–0% B: 100%
		091 ⇔ 110	R: 0–100% G: 0% B: 100%
		111 ⇔ 130	R: 100% G: 0% B: 100–0%
		131 ⇔ 150	R: 100% G: 0–100% B: 0–100%
		151 ⇔ 170	R: 100% G: 100–0% B: 100%
		171 ⇔ 200	R: 100% G: 100% B: 100%
		201 ⇔ 205	Color temperature 1
		206 ⇔ 210	Color temperature 2
		211 ⇔ 215	Color temperature 3
		216 ⇔ 220	Color temperature 4
		221 ⇔ 225	Color temperature 5
		226 ⇔ 230	Color temperature 6
		231 ⇔ 235	Color temperature 7
		236 ⇔ 240	Color temperature 8
241 ⇔ 245	Color temperature 9		
246 ⇔ 250	Color temperature 10		
251 ⇔ 255	Color temperature 11		
9	Auto Programs	000 ⇔ 010	No function
		011 ⇔ 032	Auto program 1
		033 ⇔ 054	Auto program 2
		055 ⇔ 076	Auto program 3
		077 ⇔ 098	Auto program 4
		099 ⇔ 120	Auto program 5 (Auto program 1–4)
		121 ⇔ 142	Auto program 6
		143 ⇔ 164	Auto program 7
		165 ⇔ 186	Auto program 8
		187 ⇔ 208	Auto program 9
		209 ⇔ 230	Auto program 10
231 ⇔ 255	Auto program 11 (Auto program 6–10)		
10	Auto Program Speed	000 ⇔ 255	Auto speed, slow to fast
11	Dimmer Speed Mode	000 ⇔ 051	Preset dimmer speed from display menu
		052 ⇔ 101	Dimmer speed mode off
		102 ⇔ 152	Dimmer speed mode 1 (fastest)
		153 ⇔ 203	Dimmer speed mode 2
		204 ⇔ 255	Dimmer speed mode 3 (slowest)

7Ch

Channel	Function	Value	Percent/Setting
1	Dimmer	000 ⇔ 255	0–100%
2	Fine Dimmer	000 ⇔ 255	0–100%
3	Red	000 ⇔ 255	0–100%
4	Green	000 ⇔ 255	0–100%
5	Blue	000 ⇔ 255	0–100%
6	White	000 ⇔ 255	0–100%
7	Strobe	000 ⇔ 010	No function
		011 ⇔ 255	Strobe, slow to fast

4Ch

Channel	Function	Value	Percent/Setting
1	Red	000 ⇄ 255	0–100%
2	Green	000 ⇄ 255	0–100%
3	Blue	000 ⇄ 255	0–100%
4	White	000 ⇄ 255	0–100%

Configuration (Standalone)

Use standalone configuration to operate the product without a DMX controller.

Static Mode

The Static mode allows for permanent dimmer and strobe presets without a DMX controller.

1. Go to the **Static** main level.
2. Select **Fixed Color** or **Manual Color Mixer**.
3. For **Fixed Color**:
 - a. Select the desired fixed color (**R, G, B, W, GB, RB, RG, RGB, RW, GW, BW, RGW, RBW, GBW, or RGBW**).
- For **Manual Color Mixer**:
 - a. Select the desired color (**Red, Green, Blue, or White**).
 - b. Set the desired value for the selected color (**0–255**).
 - c. Repeat steps a-b until the static color is set as desired.

Auto Programs

Auto programs allow for dynamic blinder effects without a DMX controller.

1. Go to the **Auto Show** main level.
2. Select the desired auto (**Auto 1–11**).
3. Select the desired speed (**1–100**).



The auto programs cannot be edited.

Configuration (Settings)

Master/Slave

The Master/Slave mode allows a group of COLORado Panel Q40 products (the slaves) to simultaneously duplicate the output of another COLORado Panel Q40 (the master) without a DMX controller. To set each of the slaves:

1. Go to the **Master/Slave** main level.
2. Select **Slave**.

To set the master:

1. Go to the **Master/Slave** main level.
2. Select **Master**.
3. Select a static setting.



- The master is the one that runs a program whether in Auto or Static mode.
- Do not connect a DMX controller to the products configured for Master/Slave operation. The DMX controller may interfere with signals from the master.
- The master should be the first product in the daisy chain.

Dimmer Profiles

This setting determines how fast the output of the COLORado Panel Q40 changes when you modify the output value. This setting provides four different options to simulate the dimming curve of an incandescent lighting product.

1. Go to the **Dimmer Mode** main level.
2. Select a dimmer curve (**Off, Dimmer 1, Dimmer 2, or Dimmer 3**).



Off: The output is proportional (linear) to the dimmer channel value.
Dimmer 1-3: The output follows the dimmer value based on the corresponding dimmer curve, DIM1 being the fastest.

Operation

White Balance

This setting controls the maximum values for each LED color.

1. Go to the **White Balance** main level.
2. Select **Off** (uses factory default white setting), **Manual** (sets a custom white balance), or **Legacy** (matches the output to previous COLORado Panel Q40 models).
3. For **Manual**:
 - a. Select a color to edit (**Red, Green, Blue, or White**).
 - b. Set the maximum value of the selected color (**125–255**).
 - c. Repeat steps a-b until the white balance is set as desired.For **Legacy**, select from **On** (legacy mode active) or **Off** (legacy mode inactive).

LED Frequency

This option changes the Pulse Width Modulation (PWM) frequency of the LEDs on the COLORado Panel Q40.

1. Go to the **LED Frequency** main level.
2. Select PWM Frequency (**600Hz, 1200Hz, 2000Hz, 4000Hz, 6000Hz, or 25Khz**).

Fan Mode

This option sets the fan to run automatically when needed or to always run.

1. Go to the **Fan Mode** main level.
2. Select **Auto** (fan runs when needed) or **On** (fan always runs).

Back Light

This setting allows for selection of the amount of time the backlight on the COLORado Panel Q40's display stays on after the last button is pressed on the control panel.

1. Go to the **Back Light** main level.
2. Select **On** (remains on), **10S** (10 seconds), **20S** (20 seconds), or **30S** (seconds).

System Information

This option displays the total number of hours the product has run, the installed software version, and the product's UID.

1. Go to the **Information** main level.
2. Select **Fixture Hours, Version, UID, or Battery**.

Factory Reset

This option restores the COLORado Panel Q40 to factory default settings.

1. Go to the **Reset Factory** main level.
2. Select **No** or **Yes**.

5. Technical Information

Product Maintenance

To maintain optimum performance and minimize wear, clean this product frequently. Usage and environment are contributing factors in determining the cleaning frequency.

Clean this product at least twice a month. Dust build-up reduces light output performance and can cause overheating. This can lead to reduced light source life and increased mechanical wear.

To clean the product:

1. Unplug the product from power.
2. Wait until the product is at room temperature.
3. Use a vacuum (or dry compressed air) and a soft brush to remove dust collected on the external vents.
4. Clean all transparent surfaces with a mild soap solution, ammonia-free glass cleaner, or isopropyl alcohol.
5. Apply the solution directly to a soft, lint free cotton cloth or a lens cleaning tissue.
6. Softly drag any dirt or grime to the outside of the transparent surface.
7. Gently polish the transparent surfaces until they are free of haze and lint.



Always dry the transparent surfaces carefully after cleaning them.



Avoid spinning the cooling fans using compressed air to prevent damage.

6. Technical Specifications

Dimensions and Weight

Length	Width	Height	Weight
20.27 in (515 mm)	7.71 in (196 mm)	11.96 in (304 mm)	28.2 lb (12.8 kg)

Note: Dimensions in inches rounded to the nearest decimal digit.

Power

Power Supply Type	Range	Voltage Selection
Switching (internal)	100 to 240 VAC, 50/60 Hz	Auto-ranging

Parameter	120 V, 60 Hz	208 V, 60 Hz	230 V, 50 Hz
Consumption	570 W	560 W	560 W
Operating Current	4.69 A	2.71 A	2.44 A
Power linking current (products)	13.6 A (2 products)	13.6 A (4 products)	13.6 A (5 products)

Power I/O	U.S./Worldwide	UK/Europe
Power input connector	Seetronic Powerkon A	Seetronic Powerkon A
Power output connector	Seetronic Powerkon B	Seetronic Powerkon B
Power Cord plug	Edison (U.S.)	Local Plug

Light Source

Type	Color	Quantity	Power	Current	Lifespan
LED	Quad-color RGBW	40	15 W	970 mA	50,000 hours

Photometrics

Parameter	Value
Color Temperature Range	2800 to 10000 K
Beam Angle (without filter)	15°
Beam Angle (with filter)	24°
Field Angle (without filter)	28°
Field Angle (with filter)	48°
Illuminance @ 5 m (without filter)	12,800 lux
Illuminance @ 5 m (with filter)	3,570 lux

Thermal

Maximum External Temperature	Cooling System
113 °F (45 °C)	Fan-assisted Convection

DMX

I/O Connector	Channel Range
5-pin XLR	4, 7, 11, 16 or 23

Ordering

Product Name	Item Name	Item Code	UPC Number
COLORado Panel Q40	COLORADOPANELQ40	03031471	781462218195

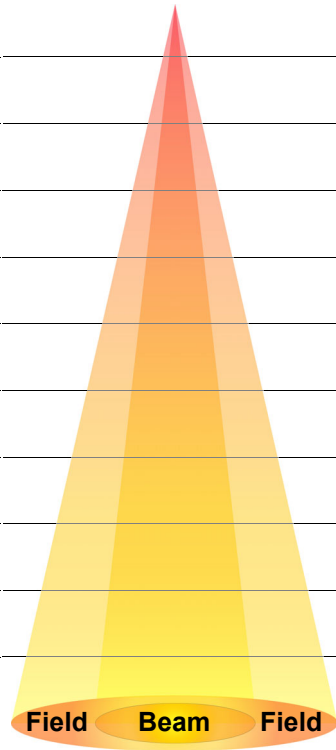


RoHS

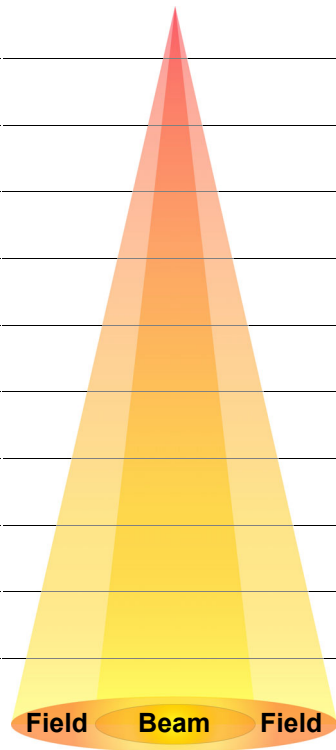


Photometrics Charts

Distance	W/o Filter (15°)		COLORado Panel Q40 (Imperial)		W/ Filter (24°)	
	Beam Diameter	Field Diameter	Footcandle	Footcandle	Beam Diameter	Field Diameter
15 ft	3.95 ft	7.48 ft	1,422	397	6.38 ft	13.36 ft
20 ft	5.27 ft	9.97 ft	800	223	8.50 ft	17.81 ft
30 ft	7.90 ft	14.96 ft	356	99	12.75 ft	26.71 ft
40 ft	10.53 ft	19.95 ft	200	56	17.00 ft	35.62 ft
50 ft	13.17 ft	24.93 ft	128	36	21.26 ft	44.52 ft
75 ft	19.75 ft	37.40 ft	57	16	31.88 ft	66.78 ft
100 ft	26.33 ft	49.87 ft	32	9	42.51 ft	89.05 ft
125 ft	32.91 ft	62.33 ft	20	6	53.14 ft	111.31 ft
150 ft	39.50 ft	74.80 ft	14	4	63.77 ft	133.57 ft



Distance	W/o Filter (15°)		COLORado Panel Q40 (Metric)		W/ Filter (24°)	
	Beam Diameter	Field Diameter	Lux	Lux	Beam Diameter	Field Diameter
1 m	0.26 m	0.50 m	320,000	89,250	0.43 m	0.89 m
2 m	0.53 m	1.00 m	80,000	22,313	0.85 m	1.78 m
5 m	1.32 m	2.49 m	12,800	3,570	2.13 m	4.45 m
8 m	2.11 m	3.99 m	5,000	1,395	3.40 m	7.12 m
10 m	2.63 m	4.99 m	3,200	893	4.25 m	8.90 m
15 m	3.95 m	7.48 m	1,422	397	6.38 m	13.36 m
20 m	5.27 m	9.97 m	800	223	8.50 m	17.81 m
25 m	6.58 m	12.47 m	512	143	10.63 m	22.26 m
30 m	7.90 m	14.96 m	356	99	12.75 m	26.71 m



Returns

Send the product prepaid, in the original box, and with the original packing and accessories. Chauvet will not issue call tags.

Call Chauvet and request a Return Merchandise Authorization (RMA) number before shipping the product. Be prepared to provide the model number, serial number, and a brief description of the cause(s) for the return.

To submit a service request online, go to www.chauvetprofessional.com/service-request.

Clearly label the package with an RMA number. Chauvet will refuse any product returned without an RMA number.



Write the RMA number on a properly affixed label. DO NOT write the RMA number directly on the box.

Once you have the RMA number, provide the following information on a piece of paper and place it inside the box:

- Your name
- Your address
- Your phone number
- RMA number
- A brief description of the problem

Be sure to pack the product properly. Any shipping damage resulting from inadequate packaging will be your responsibility. FedEx packing or double-boxing are recommended.



Chauvet reserves the right to use its own discretion to repair or replace returned product(s).

Contact Us

General Information	Technical Support
Chauvet World Headquarters	
Address: 5200 NW 108th Ave. Sunrise, FL 33351 Voice: (954) 577-4455 Fax: (954) 929-5560 Toll Free: (800) 762-1084	Voice: (844) 393-7575 Fax: (954) 756-8015 Email: chauvetcs@chauvetlighting.com Website: www.chauvetprofessional.com
Chauvet Europe Ltd	
Address: Unit 1C Brookhill Road Industrial Estate Pinxton, Nottingham, UK NG16 6NT Voice: +44 (0) 1773 511115 Fax: +44 (0) 1773 511110	Email: UKtech@chauvetlighting.eu Website: www.chauvetprofessional.eu
Chauvet Europe BVBA	
Address: Stokstraat 18 9770 Kruishoutem Belgium Voice: +32 9 388 93 97	Email: BNLtech@chauvetlighting.eu Website: www.chauvetprofessional.eu
Chauvet France	
Address: 3, Rue Ampère 91380 Chilly-Mazarin France Voice: +33 1 78 85 33 59	Email: FRtech@chauvetlighting.fr Website: www.chauvetprofessional.eu
Chauvet Germany	
Address: Bruno-Bürgerl-Str. 11 28759 Bremen Germany Voice: +49 421 62 60 20	Email: DEtech@chauvetlighting.de Website: www.chauvetprofessional.eu
Chauvet Mexico	
Address: Av. de las Partidas 34 - 3B (Entrance by Calle 2) Zona Industrial Lerma Lerma, Edo. de México, CP 52000 Voice: +52 (728) 690-2010	Email: servicio@chauvet.com.mx Website: www.chauvetprofessional.mx

Visit the applicable website above to verify our contact information and instructions to request support. Outside the U.S., U.K., Ireland, Benelux, France, Germany, or Mexico, contact the dealer of record.