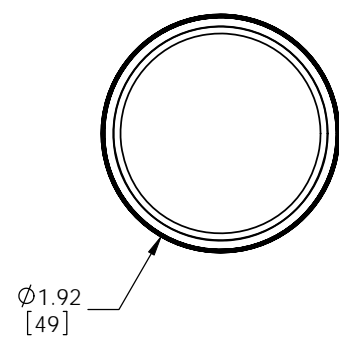
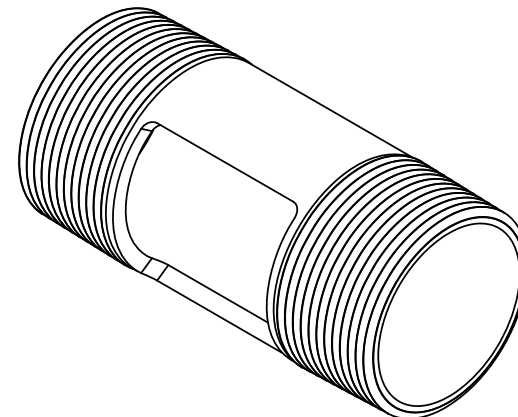
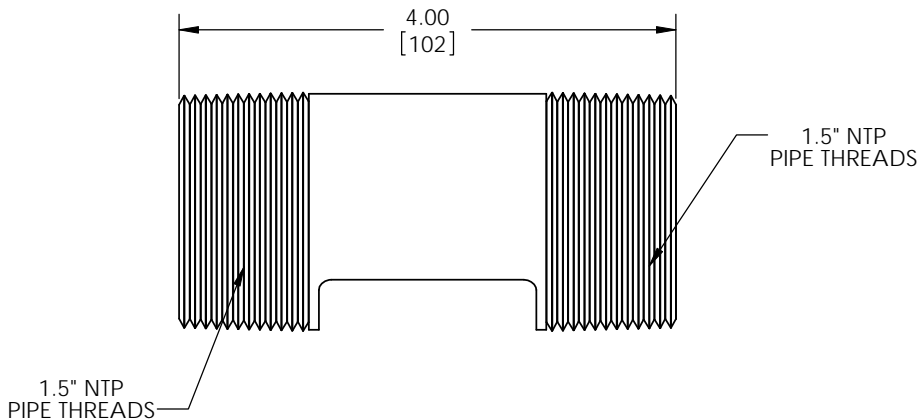


THE INFORMATION CONTAINED IN THIS DRAWING IS THE SOLE PROPERTY OF PREMIER MOUNTS DIVISION OF <PMPI>. ANY REPRODUCTION IN PART OR WHOLE WITHOUT THE WRITTEN PERMISSION OF PREMIER MOUNTS DIVISION OF <PMPI> IS PROHIBITED.



MOUNTS.COM

PREMIER MOUNTS®
CREATING POSITIVE CUSTOMER EXPERIENCES
3130 East Miraloma Avenue
Anaheim, CA 92806
P. 800.368.9700 - F. 800.832.4888

ITEM DESCRIPTION: **PWH-4**

SIZE B	DWG. NO.
-----------	----------

SCALE: 1:1

SHEET 1 OF 1