

TK-200-B

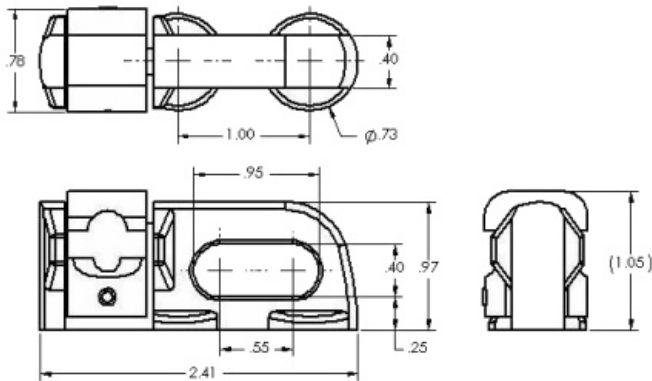
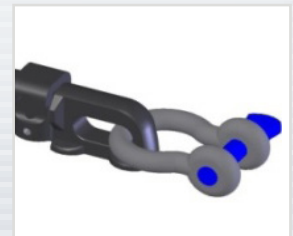
(500 lb. WLL)

DOUBLE STUD FITTING

STUD FITTINGS



The double stud with ring option allows loudspeakers and other objects, equipped with L-track, to be secured from a wide range of readily available coupling devices such as, carabiners, quick links and shackles. This design does not offer a redundant locking feature that is sometimes required in overhead applications.



SPECIFICATIONS:

Diameter: -

Color: Black

Design Factor: 10:1

WLL: 500 lb / 227 Kg

(FROM ZERO TO 90 DEGREE ANGLE OF LOAD)



Rated for indoor use.

ALWAYS INSTALL SAFETY CABLES

WARNING: Mounting and/or suspension of audio and video equipment requires experienced professionals. Improperly installed loudspeakers can result in property damage, personal injury and/or liability to the installing contractor.