

Instrument

AIR LINK DW 20BR

Bluetooth Wireless Stereo Receiver for
High-Performance Stereo Audio Broadcasting



- Stereo receiver to wirelessly stream Bluetooth* to any audio system
- Perfect for hospitality and event spaces, retail and home audio, etc.
- High headroom design offers superior sound quality
- Maximum wireless range 100 feet (30 m)
- External, articulating antenna ensures optimum transmission and reception
- Aluminium extrusion casing with protective rubber corners
- Floor and wall mount brackets for fixed installation (included)
- High quality Neutrik* XLR and ¼" TRS connectors
- Compact and rugged design
- 10-Year Warranty Program*
- Designed and engineered in the U.K.

The AIR LINK DW 20BR Bluetooth Wireless Stereo Receiver brings the convenience of high-performance audio-streaming to any installed or portable sound system, making it ideal for hospitality and event spaces, as well as retail, home audio, and much more. Featuring a maximum wireless range of 100 feet (30 m), DW 20BR is easy to use and utilises premium-grade Neutrik balanced XLR and unbalanced ¼" TRS connectors to cover a wide range of audio applications.



Superior Performance

Thanks to its high headroom design, the DW 20BR receiver provides pristine audio streaming that is far superior to competing products. Care has been taken in both the design process and component selection to ensure the highest-quality performance in its class.

Instrument

AIR LINK DW 20BR

Bluetooth Wireless Stereo Receiver for
High-Performance Stereo Audio Broadcasting

Maximum Range and Flexibility

Aided by an external articulated antenna, the DW 20BR is designed to provide dependable reception over an astounding range of up to 100 feet (30 m). Multiple receivers can be deployed to provide targeted zone broadcasting, as long as each DW 20BR is paired with only one Bluetooth streaming device at a time – allowing unique content to be streamed concurrently across each of the individual zones.



Robust Construction

Housed in a compact and rugged aluminium extrusion enclosure, the DW 20BR receiver can be permanently installed via the included floor/wall mount brackets, or placed securely on a shelf thanks to its corner protectors. Connectivity options include high quality Neutrik* XLR and ¼" TRS output sockets, ensuring a crystal-clear signal path to professional mixers, amplifiers, or powered loudspeakers.

Single Streaming Solution

Engineered by the Award-winning **KLARK TEKNIK** design team, the DW 20BR is sublimely easy to use – and is the single audio streaming solution for a broad variety of applications.



Instrument

AIR LINK DW 20BR

Bluetooth Wireless Stereo Receiver for
High-Performance Stereo Audio Broadcasting



You Are Covered

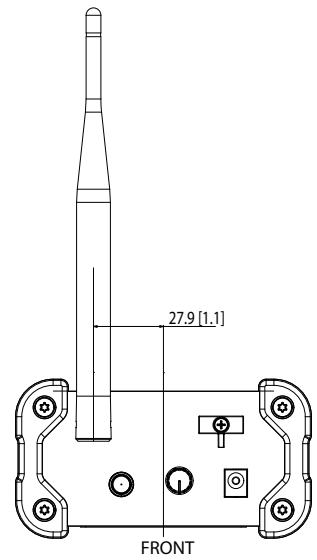
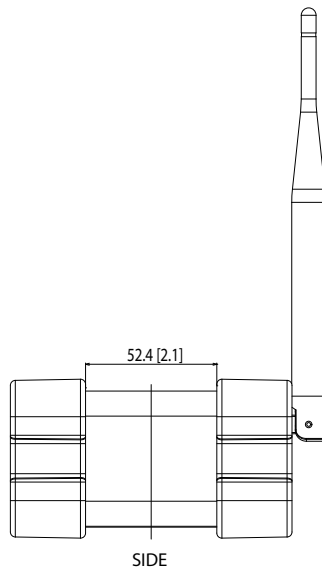
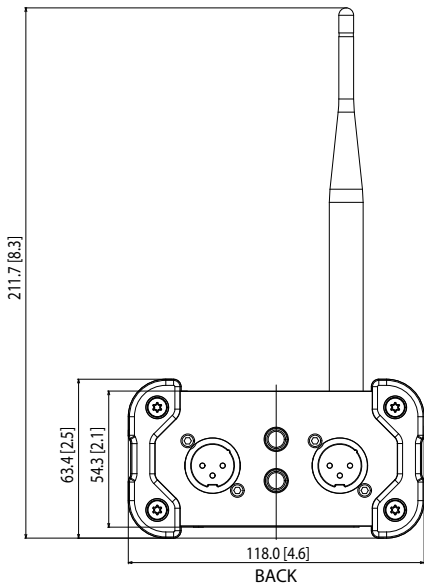
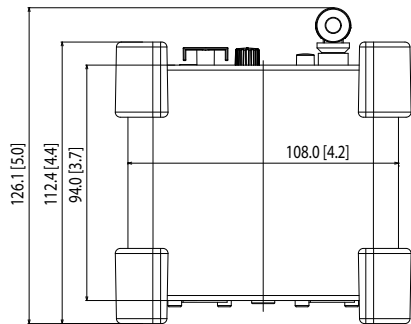
We always strive to provide the best possible Customer Experience. Our products are made in our own [Music Tribe](#) factory using state-of-the-art automation, enhanced production workflows and quality assurance labs with the most sophisticated test equipment available in the world. As a result, we have one of the lowest product failure rates in the industry, and we confidently back it up with a generous [Warranty program](#).

Instrument

AIR LINK DW 20BR

Bluetooth Wireless Stereo Receiver for
High-Performance Stereo Audio Broadcasting

Dimensions

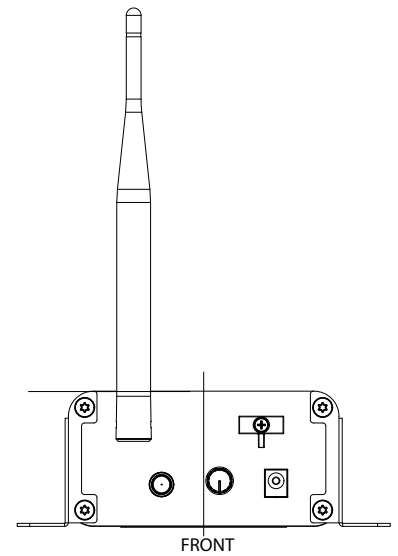
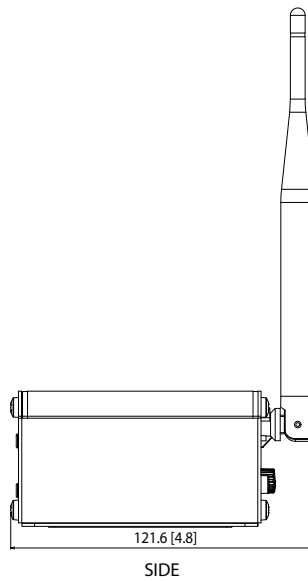
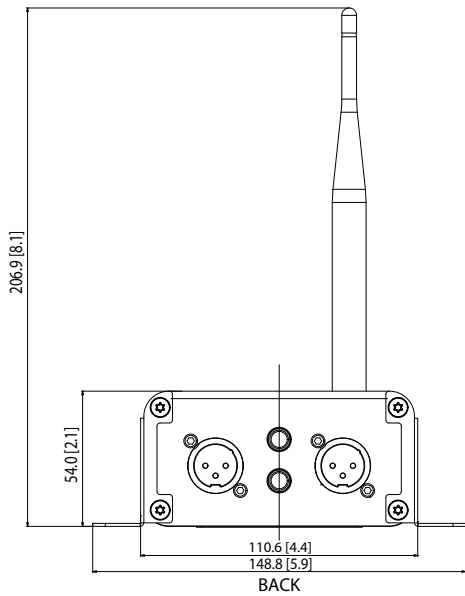
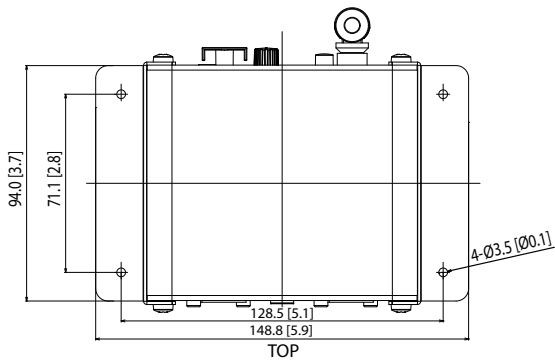


Instrument

AIR LINK DW 20BR

Bluetooth Wireless Stereo Receiver for
High-Performance Stereo Audio Broadcasting

Dimensions



Instrument

AIR LINK

DW 20BR

Bluetooth Wireless Stereo Receiver for
High-Performance Stereo Audio Broadcasting

Technical Specifications

Outputs

Connectors	Balanced XLR, unbalanced ¼"
Impedance	240 Ω
Max. output level	4 dBu @ 1 kHz

Bluetooth

Frequency range	2402 - 2480 MHz
Channel number	79
Bluetooth version	4.2
Receiver range	Up to 30 m (100 ft)
Output power	Class 2, <10 dBm
Supported codec	SBC, aptX
Supported profiles	AVRCP 1.4, A2DP 1.2

System

Frequency response	20 Hz to 20 kHz (+0/-2 dB)
THD + N (distortion)	0.1% @ 1 kHz
Signal-to-noise ratio	>90 dB
Power adaptor	12 V DC, 400 mA, center positive

Physical

Dimensions (H x W x D)	
Without bumpers or antenna	54 x 108 x 103 mm (2.1 x 4.3 x 4.1")
With bumpers, without antenna	63 x 118 x 112 mm (2.5 x 4.6 x 4.4")
With bumpers, upright antenna	212 x 118 x 126 mm (8.3 x 4.6 x 5.0")
Weight incl. bumpers and antenna	0.6 kg (1.3 lbs)

Instrument

AIR LINK DW 20BR

Bluetooth Wireless Stereo Receiver for
High-Performance Stereo Audio Broadcasting



Instrument

AIR LINK DW 20BR

Bluetooth Wireless Stereo Receiver for
High-Performance Stereo Audio Broadcasting



Instrument

AIR LINK DW 20BR

Bluetooth Wireless Stereo Receiver for
High-Performance Stereo Audio Broadcasting



Instrument

AIR LINK DW 20BR

Bluetooth Wireless Stereo Receiver for
High-Performance Stereo Audio Broadcasting



Instrument

AIR LINK DW 20BR

Bluetooth Wireless Stereo Receiver for
High-Performance Stereo Audio Broadcasting



Instrument

AIR LINK DW 20BR

Bluetooth Wireless Stereo Receiver for
High-Performance Stereo Audio Broadcasting



For service, support or more information contact the Klark Teknik location nearest you:

Europe
Music Tribe Brands UK Ltd.
Tel: +44156 273 2290
Email: CARECrea@musictribe.com
CAREnte@musictribe.com
CARELife@musictribe.com

USA/Canada
Music Tribe Commercial NV Inc.
Tel: +1 702 800 8290
Email: CARECrea@musictribe.com
CAREnte@musictribe.com
CARELife@musictribe.com

Japan
Music Tribe Services JP K.K.
Tel: +81 3 6231 0453
Email: CARECrea@musictribe.com
CAREnte@musictribe.com
CARELife@musictribe.com

Music Tribe accepts no liability for any loss which may be suffered by any person who relies either wholly or in part upon any description, photograph, or statement contained herein. Technical specifications, appearances and other information are subject to change without notice. All trademarks are the property of their respective owners. Midas, Klark Teknik, Lab Gruppen, Lake, Tannoy, Turbosound, TC Electronic, TC Helicon, Behringer, Bugera and Coolaudio are trademarks or registered trademarks of Music Tribe Global Brands Ltd. © Music Tribe Global Brands Ltd. 2019 All rights reserved.

KLARKTEKNIK