

Mixer Accessories

PRO SERIES PRO2-RC

Touring Grade Road Case for
MIDAS PRO2 Live Digital
Console Control Centre

- ⊗ Touring grade road case for MIDAS PRO2 Live Digital Console control centre
- ⊗ Features marine grade plywood, aluminium extrusions and composite density protective foam
- ⊗ 3-Year Warranty Program*
- ⊗ Designed and engineered in England

The PRO2-RC touring grade road case for the MIDAS PRO2 Live Digital Console is designed to withstand the rigours of live concert tours and is constructed from 12 mm thick rigid marine grade plywood with 40 x 40 mm durable aluminium edging extrusions. Composite density foam provides internal support and superior protection in transit, night after night, city after city.



The PRO2-RC features premium Penn-Elcom* castors and RK* handles for long working life.

PRO2-RC ships with a removable protective pallet that allows the road case to be stored and shipped on its side.

You Are Covered

We always strive to provide the best possible Customer Experience. Our products are made in our own MUSIC Group factory using state-of-the-art automation, enhanced production workflows and quality assurance labs with the most sophisticated test equipment available in the world. As a result, we have one of the lowest product failure rates in the industry, and we confidently back it up with a generous 3-Year Warranty program.



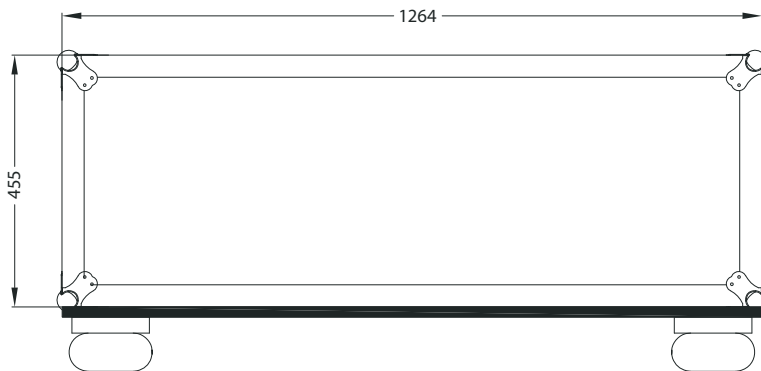
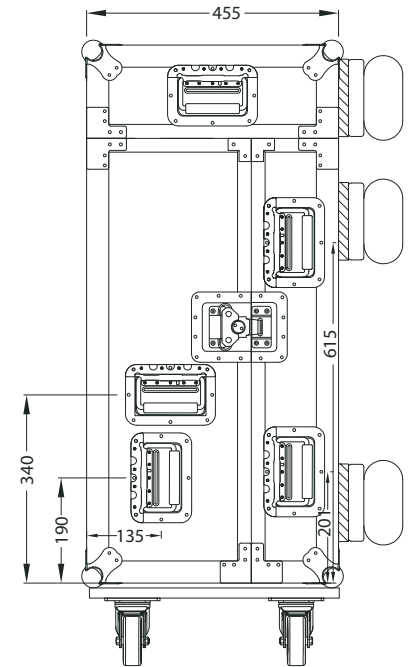
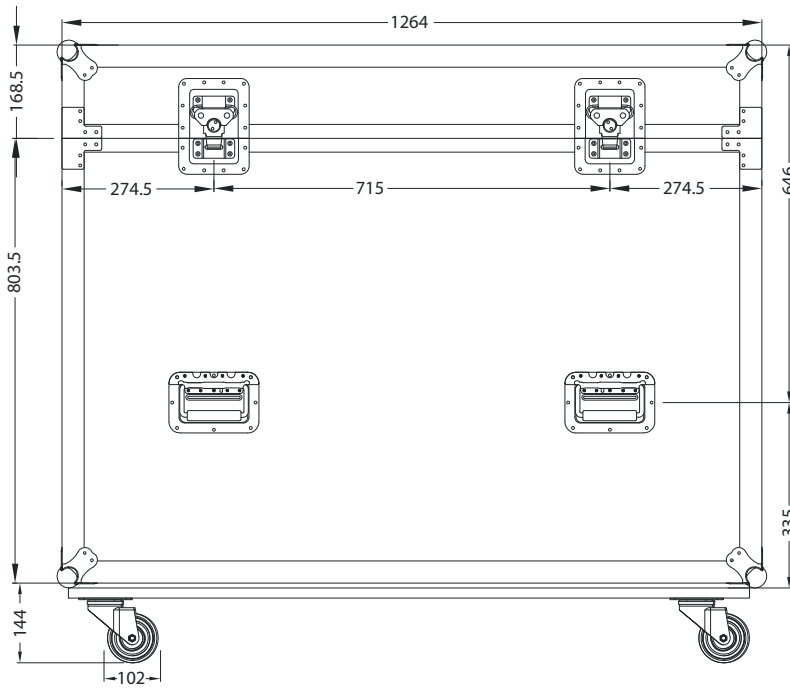
*Warranty details can be found at music-group.com.

Mixer Accessories

PRO SERIES PRO2-RC

Touring Grade Road Case for
MIDAS PRO2 Live Digital
Console Control Centre

Dimensions



Mixer Accessories

PRO SERIES PRO2-RC

Touring Grade Road Case for
MIDAS PRO2 Live Digital
Console Control Centre

Technical Specifications

Material	12.0 mm thick marine grade plywood 40 x 40 mm aluminium edging extrusions
Castors	Penn-Elcom
Length	455 mm (18")
Width	1264 mm (49.8")
Height	1260 mm (49.6")
Net weight	99.4 kg (218.7 lbs)

PRO SERIES

PRO2-RC

Touring Grade Road Case for
MIDAS PRO2 Live Digital
Console Control Centre

Architecture and Engineering Specifications

The road case shall be specifically designed for the [MIDAS PRO2](#) Live Digital Console.

The road case shall be constructed from 12 mm thick marine grade plywood with 40 x 40 mm aluminium edging extrusions for added protection.

The road case shall have internal support consisting of composite density foam.

The road case shall use Penn-Elcom castors and RK handles.

The road case shall have 455 mm length x 1264 mm width x 1260 mm height (18" x 49.8" x 49.6"), with nominal weight 99.4 kg (218.7 lbs).

The road case shall be the MIDAS PRO2-RC and no other alternative shall be acceptable.

Mixer Accessories

PRO SERIES PRO2-RC

Touring Grade Road Case for
MIDAS PRO2 Live Digital
Console Control Centre



Mixer Accessories

PRO SERIES PRO2-RC

Touring Grade Road Case for
MIDAS PRO2 Live Digital
Console Control Centre



For service, support or more information contact the MIDAS location nearest you:

Europe
MUSIC Group Services UK
Tel: +44 156 273 2290
Email: CARE@music-group.com

USA/Canada
MUSIC Group Services NV Inc.
Tel: +1 702 800 8290
Email: CARE@music-group.com

Japan
MUSIC Group Services JP K.K.
Tel.: +81 3 6231 0454
Email: CARE@music-group.com

MUSIC Group accepts no liability for any loss which may be suffered by any person who relies either wholly or in part upon any description, photograph, or statement contained herein. Technical specifications, appearances and other information are subject to change without notice. All trademarks are the property of their respective owners. MIDAS, KLARK TEKNIK, LAB.GRUPPEN, LAKE, TANNÖY, TURBOSOUND, TC ELECTRONIC, TC-HELICON, BEHRINGER, BUGERA, DDA and TC APPLIED TECHNOLOGIES are trademarks or registered trademarks of MUSIC Group IP Ltd. © MUSIC Group IP Ltd. 2015 All rights reserved.

