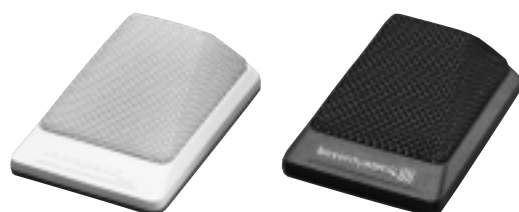


## MPC 65

Acoustical Boundary  
Microphone



### FEATURES

- Semi-cardioid response
- Low profile with small footprint and surface mountable
- Phantom power 12 - 48 V
- Higher gain before feedback over typical boundary microphones
- Low-cut filter eliminates low frequency rumble and unwanted surfacebound noise
- Available in matt black or off-white
- Available with various terminations

### APPLICATIONS

The MPC 65 is recommended for telephone and video conference systems, sound reinforcement, installations in churches, and wherever high quality speech reproduction requires that the microphone be small and unobtrusive. The MPC 65's semi-cardioid response makes it ideal where multiple microphones are required.

### VERSIONS

MPC 65 V sw	black version with built-in pre-amp, captive cable and bare ends . . . . .	Order # 441.511
MPC 65 V ws	white version with built-in pre-amp, captive cable and bare ends . . . . .	Order # 441.538
MPC 65 VC sw	black version with built-in pre-amp & male XLR connector in base plate . . . . .	Order # 441.481
MPC 65 VC ws	white version with built-in pre-amp & male XLR connector in base plate . . . . .	Order # 441.503
MPC 65 VJ sw	black version with built-in pre-amp & 6.35 mm (1/4") jack connector in base plate . . . . .	Order # 440.736
MPC 65 VJ ws	white version with built-in pre-amp & 6.35 mm (1/4") jack connector in base plate . . . . .	Order # 441.473

#### Germany

Theresienstr. 8  
D-74072 Heilbronn  
Tel. +49 (0)71 31 / 6 17-0  
Fax +49 (0)71 31 / 617-224  
E-mail: info@beyerdynamic.de  
Internet: www.beyerdynamic.de

#### United States

56 Central Ave.  
Farmingdale, NY 11735  
Tel. +1 (631) 293-3200  
Fax +1 (631) 293-3288  
E-mail: salesUSA@beyerdynamic.com  
Internet: www.beyerdynamic.com

#### Great Britain

17 Albert Drive  
Burgess Hill RH15 9TN  
Tel. +44 (0)1444 / 258 258  
Fax +44 (0)1444 / 258 444  
E-mail: sales@beyerdynamic.co.uk  
Internet: www.beyerdynamic.co.uk

# TECHNICAL SPECIFICATIONS

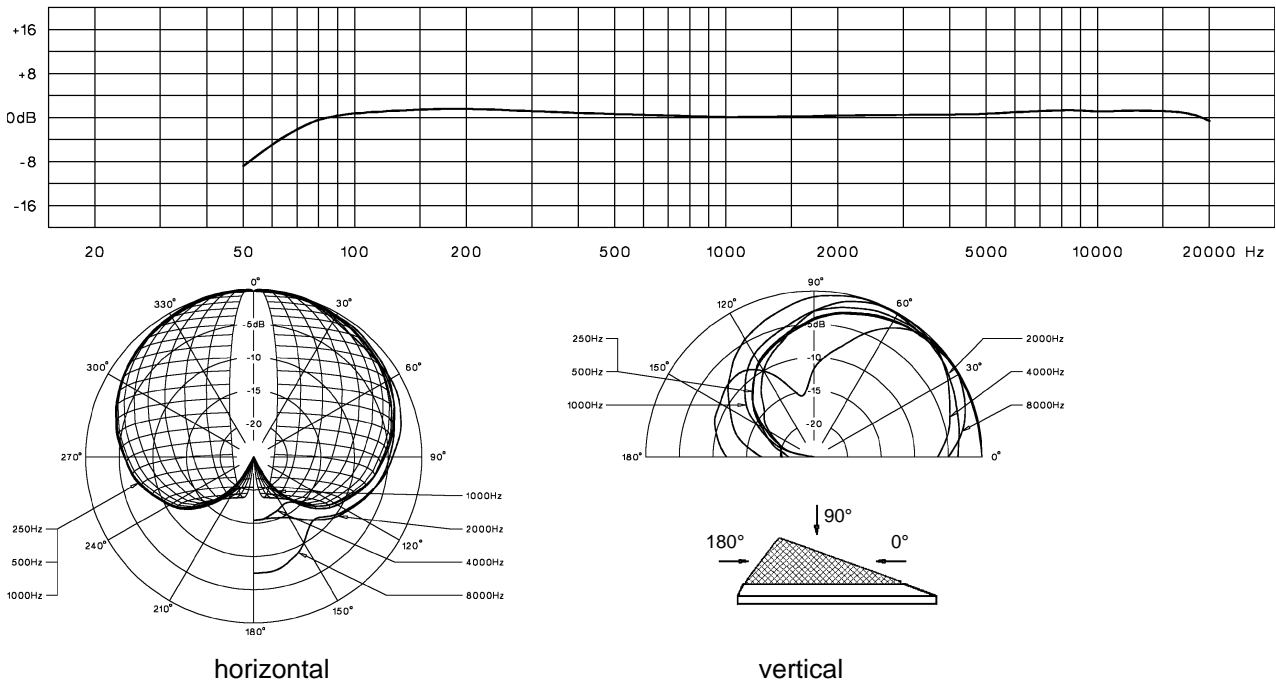
## MPC 65 V, VJ, VC

Transducer type	Condenser (back electret)
Operating principle	Pressure gradient
Frequency response	60 - 20,000 Hz
Polar pattern	Semi-cardioid
Open circuit voltage	16 mV/Pa
Nominal output impedance	180 Ω
Load impedance	≥ 1000 Ω
Max. SPL at 1 kHz	124 dB
Signal-to-noise ratio rel. to 1 Pa	61 dB
A-weighted equivalent SPL	25 dB
Supply voltage	8 - 52 V phantom power
Consumption	approx. 3.4 mA
Dimensions (L x W x H)	86 x 61 x 31 mm
Weight with cable	240 g (MPC 65 V), 180 g (VC), 175 g (VJ)

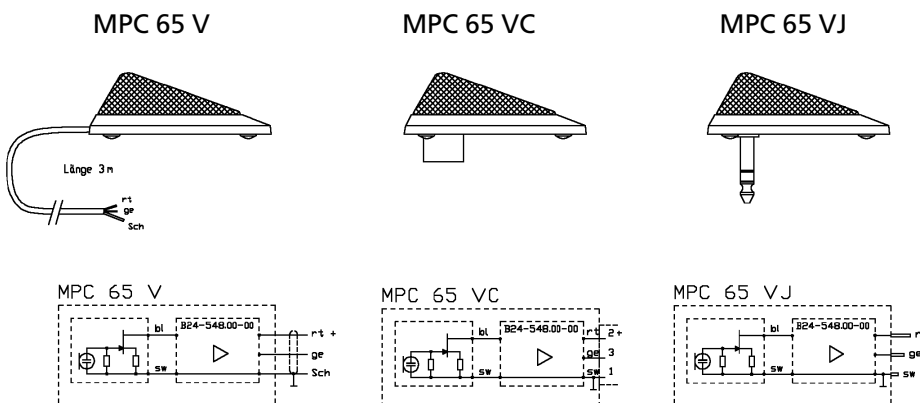
# FREQUENCY RESPONSE & POLAR PATTERN

This frequency response curve (measuring tolerance ± 2.5 dB) and polar patterns correspond to a typical production sample for this microphone.

Frequency response ± 2.5 dB      0 dB = 16 mV/Pa



# WIRING DIAGRAMS



Photos are non-contractual. Contents subject to change without notice.