



GENERAL INFORMATION

A member of ETC’s Echo family of lighting control and power control products, the Echo Architectural Control Processor brings Echo control to the Unison® DRd power control family. The Echo Control Processor works with any Unison DRd to provide the flexibility of a modular power-control rack to any installation. With support for control stations, DMX input and Ethernet, the Echo Control Processor can be easily adapted to your needs.

APPLICATIONS

- Houses of worship
- Education
- Hospitality
- Healthcare facilities
- Office buildings
- Conference rooms
- Meeting rooms
- Retail

FEATURES

- Designed for use with any EchoConnect-enabled station, sensor or power controller
- Snapshot: connect a DMX input, or set levels locally and then save to the preset with the touch of a button
- Plug and Play: ready to go out of the box, no software or external programming required
- Secure-It User Access: multiple levels of secure user access at the interface
- EchoConnect®: Two-wire topology-free system provides the freedom to put stations where you need them
- NetConnect: low-cost, easy-to-install Ethernet for data input from Net3™ and sACN products
- USBConnect: support for USB flash drives for configuration upload and download
- QuickLoad: SD media support for upload and backup of processor and DRd rack configuration data
- Support for up to 64 presets and 16 rooms

GENERAL

- UL and cUL LISTED
- CE marked

ORDERING INFORMATION

Unison Echo Architectural Control Processor

MODEL	DESCRIPTION
E-ACP	Echo Architectural Control Processor

Note: Requires a compatible power-control enclosure from the Unison DRd family

Related DRd Power Control Enclosures

MODEL	DESCRIPTION
DRd6	Six-Module (12-Circuit) Power Enclosure
DRd12	12-Module (24-Circuit) Power Enclosure

Echo Power Requirements

EchoConnect:	One unit of output power
Auxiliary Power:	Not required

Echo Presets

Supports 64 Echo Presets
--------------------------



**SPECIFICATIONS****MECHANICAL**

- Designed for use in Unison DRd Power Enclosures
- Microprocessor-based, solid-state technology to provide multi-scene lighting
- Fully-contained plug-in assembly with no discrete wire connections
- Front-panel user interface with backlit LCD
- Support for Secure Digital (SD) and Universal Serial Bus (USB) media on the front panel

**FUNCTIONAL**

- Capacity
  - Supports 512 zones of control
  - Supports one physical DMX port for data input and one DMX thru port for DMX data through to other devices
  - Supports sACN data input for level control, up to four universes and six simultaneous sources (requires option card)
- Configuration Data
  - Stored in non-volatile flash memory
  - Ability to load to and from removable media (SD media and USB)
- Local user interface
  - Access to dimming enclosure setup and status
  - Control for channels, presets, and sequence
- Stations
  - Connect to an Echo Architectural Control Processor via topology-free EchoConnect control network
  - Supports up to 16 Echo Control and Preset Stations
- Operation
  - Support for 16-bit DMX attributes
  - Supports ETC Dimmer Doubling
  - Activate/Deactivate presets
  - Preset up, down and hold times up to 60 minutes and 59 seconds
  - Synchronized control of up to sixteen Unison Echo Power Controllers or panels

**ELECTRICAL**

- No discrete wiring connections required
- One ESTA DMX512A input and thru port
- Supports ANSI E1.31 (streaming ACN)
- EchoConnect communication bus
  - Topology-free station wiring, utilizing Belden 8471 or equivalent, and one #14 ESD drain wire
- System configuration and programming information stored in non-volatile flash memory
- UL and cUL LISTED, CE marked

**THERMAL**

- Ambient room temperature: 0-40°C / 32-104°F
- Ambient humidity: 10-90% non-condensing

## ECHO FAMILY OF PRODUCTS

## EchoConnect Power Supplies

MODEL	DESCRIPTION
E-SPS	6U Room Station Power Supply, Knockout Mount
E-SPS-DIN	16U DIN rail Station Power Supply with 24V Aux
E-SPM	16U DRd Station Power Module
E-SPM-A	16U DRd Station Power Module with 24V Aux
E-SPM-RM	16U Rack-Mount Station Power Module Aux
E-SPM-RM-A	16U Rack-Mount Station Power Module 24V Aux
E-SPM-WM	16U Wall-Mount Station Power Module
E-SPM-WM-A	16U Wall-Mount Station Power Module 24V Aux
E-APS	24V Aux Power Supply, Knockout Mount

## Echo Stations

MODEL	DESCRIPTION
E1001	Inspire One Button Station
E1002	Inspire Two Button Station
E1004	Inspire Four Button Station
E1006	Inspire Six Button Station
E1008	Inspire Eight Button Station
E1104	Inspire Four Button with Fader Station
EPS05	Echo Preset Station - 5 Button
EPS10	Echo Preset Station - 10 Button
EPSLO	Echo Lockout Station
E-ATC	Echo TimeClock

## Echo Responsive Controls

MODEL	DESCRIPTION
ELS	Light Sensor
EOCC	Ceiling-Mount PIR Occupancy Sensor
EVAC	Ceiling-Mount PIR Vacancy Sensor
E-DOC-C	Ceiling-Mount Dual Tech Occupancy Sensor
E-DVAC-C	Ceiling-Mount Dual Tech Vacancy Sensor
E-DOC-W	Wall-Mount Dual Tech Occupancy Sensor
E-DVAC-W	Wall-Mount Dual Tech Vacancy Sensor
E-DOC-SM1	Switch-Mount Dual Tech Sensor - One Button
E-DOC-SM2	Switch-Mount Dual Tech Sensor - Two Button

## Echo Interfaces

MODEL	DESCRIPTION
EACC	EchoAccess™ Interface
EEB	Echo Expansion Bridge
EDMXC	Echo DMX Scene Controller
EEL	Echo-Echoflex Interface
ECII	Echo Contact Input Interface
ECOI	Echo Contact Output Interface

## Zone Controllers

MODEL	DESCRIPTION
ERC	One Zone Relay Controller
EDRC	Two Zone Relay Controller
ELD	One Zone 0-10V Dimming Controller
EDLD	Two Zone 0-10V Dimming Controller
ESSC	One Zone SmartSpace Controller
EDSSC	Two Zone SmartSpace Controller
ELVD	600-Watt Phase Adaptive Dimmer
ELVD-277	600-Watt Phase Adaptive Dimmer- 277V

## Room Controllers

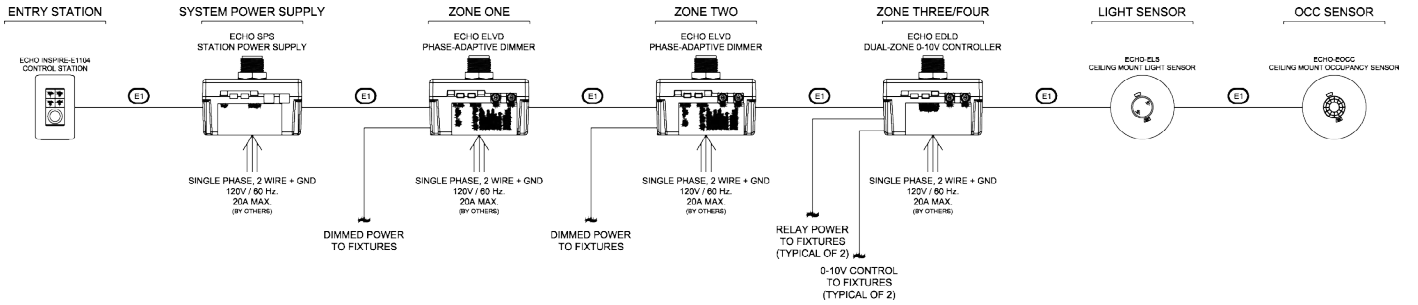
MODEL	DESCRIPTION
ERM4	Four Zone Room Controller
ERMCT4	Four Zone Room Controller with TimeClock
ERM8	Eight Zone Room Controller
ERMCT8	Eight Zone Room Controller with TimeClock

## Panel Products

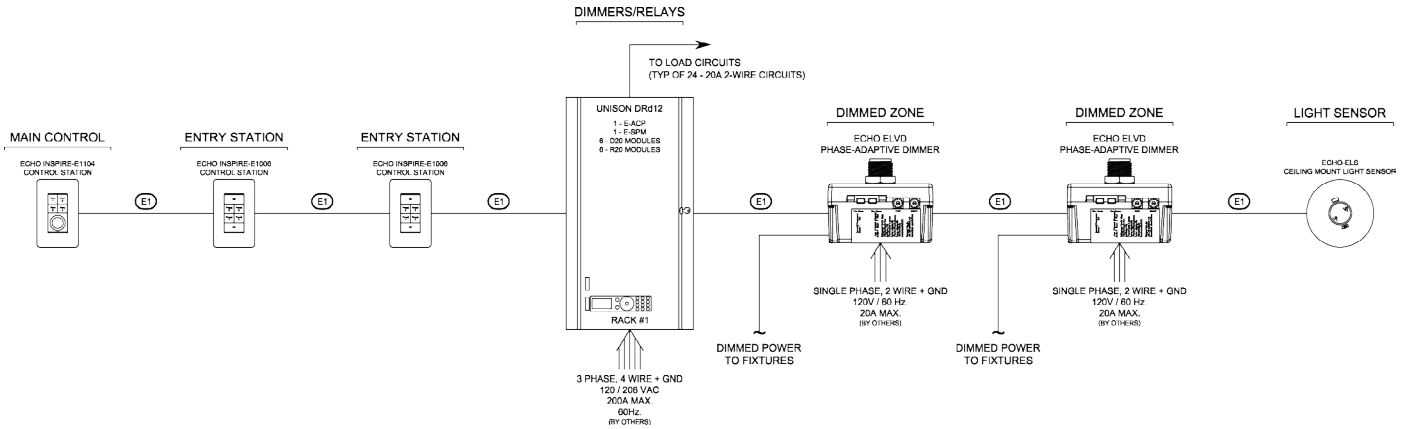
MODEL	DESCRIPTION
ERP	Echo Relay Panel Mains Feed
ERP-FT	Echo Relay Panel Feed Through
SensorIQ	Sensor IQ Intelligent Breaker System
SR3	Sensor3 Power Control System
DRd	Unison DRd with Echo Control

SAMPLE ECHO SYSTEMS

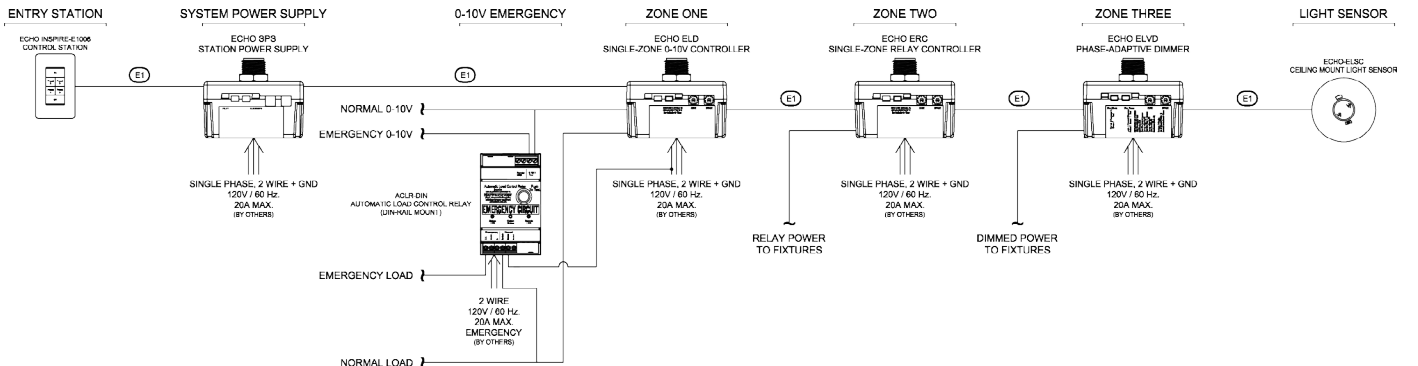
SMALL SYSTEM



MEDIUM SYSTEM

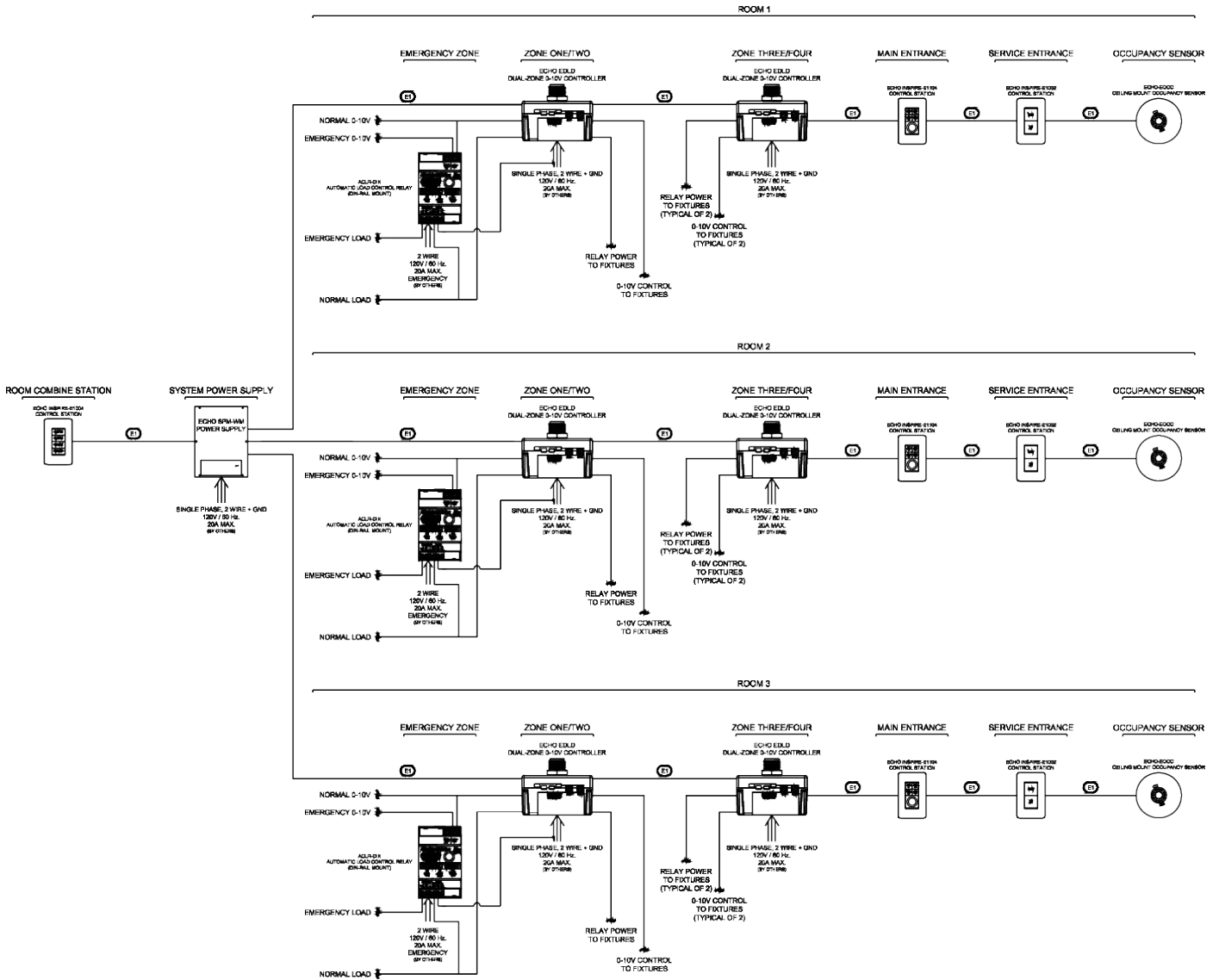


CONFERENCE ROOM



SAMPLE ECHO SYSTEMS

### MEDIUM BALLROOM



PHYSICAL

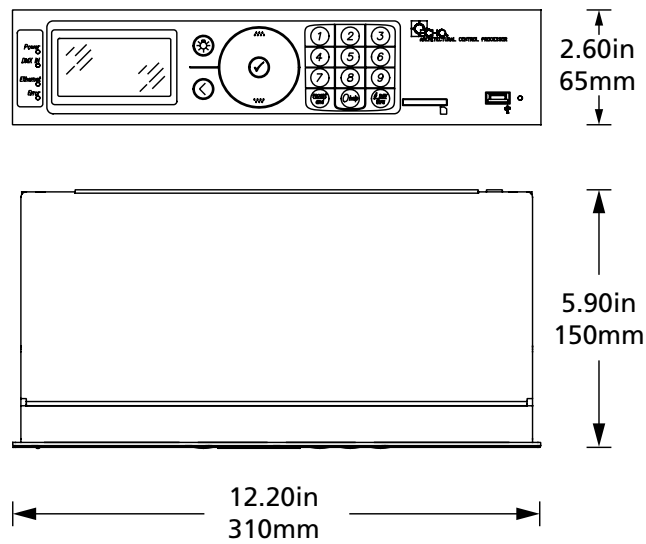
**Processor Dimensions\***

MODEL	HEIGHT		WIDTH		DEPTH	
	inches	mm	inches	mm	inches	mm
E-ACP	2.6	66	12.2	310	5.9	150

**Processor Weights\***

MODEL	WEIGHT		SHIPPING WEIGHT	
	lbs	kgs	lbs	kgs
E-ACP	2.6	1.2	5.0	2.3

\*Weights and dimensions typical



**Corporate Headquarters** • 3031 Pleasant View Rd, PO Box 620979, Middleton WI 53562 0979 USA • +1 608 831 4116  
**London, UK** • Unit 26-28, Victoria Industrial Estate, Victoria Road, London W3 6UU, UK • +44 (0) 20 8896 1000  
**Rome, IT** • Via Pieve Torina, 48, 00156 Rome, Italy • +39 (06) 32 111 683  
**Holzkirchen, DE** • Ohmstrasse 3, 83607 Holzkirchen, Germany • +49 (80 24) 47 00-0  
**Hong Kong** • Room 1801, 18/F, Tower 1 Phase 1, Enterprise Square, 9 Sheung Yuet Road, Kowloon Bay, Kowloon, Hong Kong • +852 2799 1220  
**Web** • etconnect.com • Copyright©2017 ETC. All Rights Reserved. All product information and specifications subject to change. 7186L1006 Rev G 08/17