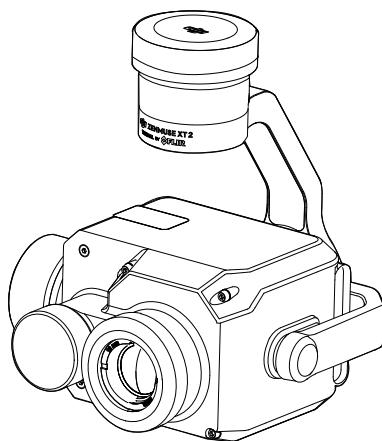


ZENMUSE XT 2

THERMAL BY 

User Manual

V1.0 2018.04



Searching for Keywords

Search for keywords such as “battery” and “install” to find a topic. If you are using Adobe Acrobat Reader to read this document, press Ctrl+F on Windows or Command+F on Mac to begin a search.

Navigating to a Topic

View a complete list of topics in the table of contents. Click on a topic to navigate to that section.

Printing this Document

This document supports high resolution printing.

Using this Manual

Legend



Warning



Important



Tips

DJI Pilot App Download

Search for “DJI Pilot” in Google Play and install the app on your tablet.



DJI Pilot is compatible with Android 5.0 and later and is only available for 7.85” and larger size tablets. It is recommended to use the DJI CrystalSky, Xiaomi Pad 2/3, Nexus 9, Samsung Galaxy Tab Pro 8.4/Tab A, and Huawei M2/M3 tablets for optimal usage.

Content

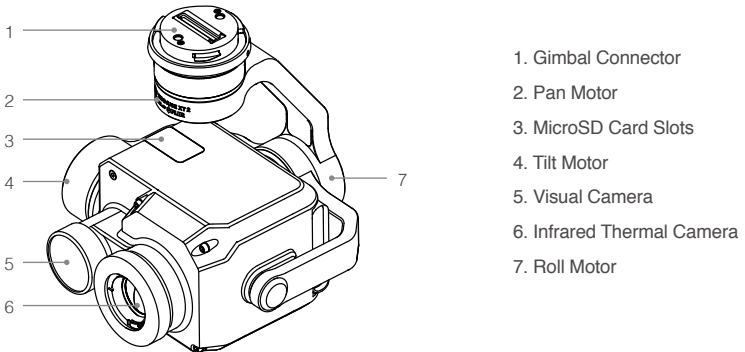
Using this Manual	2
Legend	2
DJI Pilot App Download	2
Introduction	4
Installation	5
Supported Aircraft	5
Mounting the Zenmuse XT 2	5
DJI Pilot App	6
Connecting to DJI Pilot	6
Settings	6
Remote Controller Operation	15
Specifications	15

Introduction

The ZENMUSE™ XT 2 gimbal and camera features a FLIR longwave infrared thermal camera and a visual camera, providing both infrared and visible light imaging simultaneously. The HeatTrack and QuickTrack features make it easy to mark and track objects on your mobile device's screen. The FLIR longwave infrared thermal camera provides high-sensitivity (<50 mK @nf/1.0) infrared scanning at 640/30 fps or 336/60 fps (depending on the camera model), and has 9 mm, 13 mm, 19 mm, and 25 mm lens options. The visual camera captures 4K videos and 12MP photos.

As with other DJI™ 3-axis gimbal systems, the Zenmuse XT 2 can be mounted onto the MATRICE™ 200 series and Matrice 600 series aircraft and can stream live HD video to the DJI Pilot app. This makes it excellent for aerial thermal applications such as inspection and maintenance, search and rescue, and precision agriculture.

Zenmuse XT 2 Overview



Installation

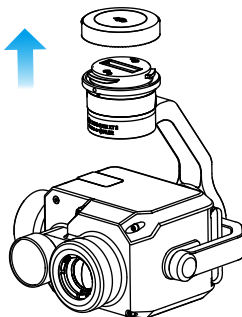
Supported Aircraft

Matrice 200 Series

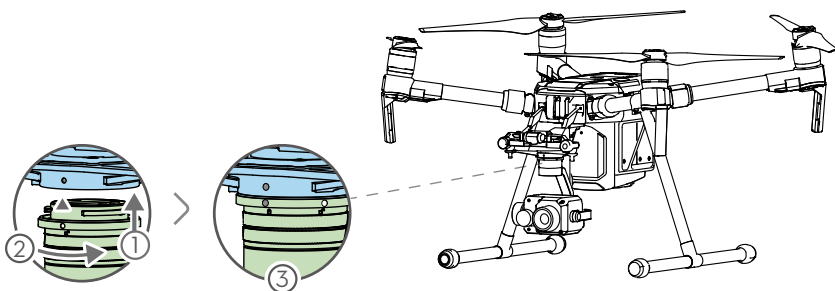
Matrice 600 Series

Mounting the Zenmuse XT 2

1. Remove the gimbal cap, as shown below.



2. Rotate the gimbal connector to the unlocked position and insert the gimbal. Rotate the gimbal connector to the locked position, as shown below using the Matrice 200 aircraft as an example.

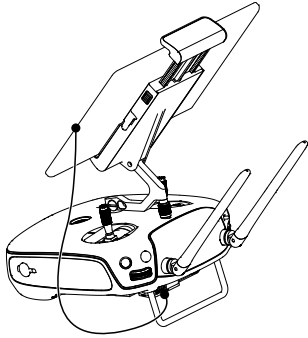


- Ensure that the Zenmuse XT 2 is mounted securely. Hold the gimbal connector firmly and apply a steady, firm rotating force when attaching or detaching the gimbal.
- Ensure that the M200 series aircraft firmware version is 1.01.0900 or later. When mounting on a M210 or M210 RTK aircraft, ensure that the Zenmuse XT 2 is mounted to gimbal connector I.
- Ensure that the microSD card slot cover is firmly in place to prevent dust or moisture damage.
- The Zenmuse XT 2 is a sophisticated device. Do not disassemble the gimbal or camera, as this will cause permanent damage.

DJI Pilot App

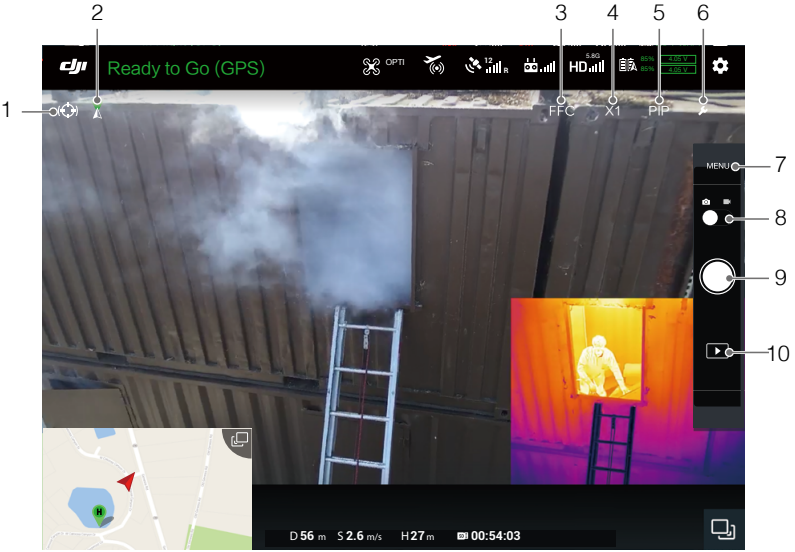
Connecting to DJI Pilot

1. Turn on the aircraft and remote controller.
2. Connect your mobile device to the remote controller via the USB cable.
3. Launch DJI Pilot and enter Camera View. When the connection is established, your mobile device will display real-time video from the camera.



Settings

Camera View

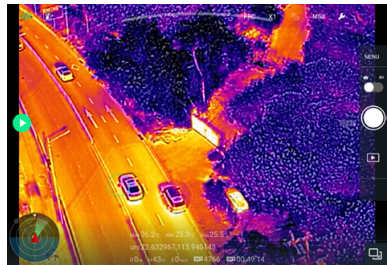


1. Spotlight

Spotlight provides access to the QuickTrack and HeatTrack features. When using QuickTrack, drag a box on the screen surrounding the desired subject, which the gimbal will follow. The red and blue points represent the hottest and coolest points in the selected area, respectively. If the desired subject is lost during tracking, manually reselect it.

When using HeatTrack, the gimbal automatically recognizes and follows the hottest object on the screen. The red point represents the hottest point on the screen. If the gimbal recognizes a hotter point while tracking, the red point will move and a circle will appear around it. Tap on this point to follow it.

Please note that Spotlight is only available when using the Zenmuse XT 2 with the M200 series aircraft.



2. Gimbal Mode

The three gimbal modes are Follow, Free, and Recenter.

3. FFC Calibration

Calibration is used to optimize image quality. During calibration, your screen may freeze momentarily and the camera will make a clicking sound.

4. Digital Zoom

Tap to adjust the digital zoom.

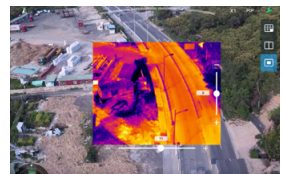
5. Display Mode

Tap to switch between the Vision, PIP, Infrared, and MSX display modes.

Vision mode: Only displays the footage that visual camera captures.

PIP mode: PIP mode includes three sub-modes:

- 1) Visual footage contains embedded infrared footage, whose position can be adjusted;
- 2) Visual and infrared footage display side by side;
- 3) Infrared footage lays exactly over corresponding visual footage.

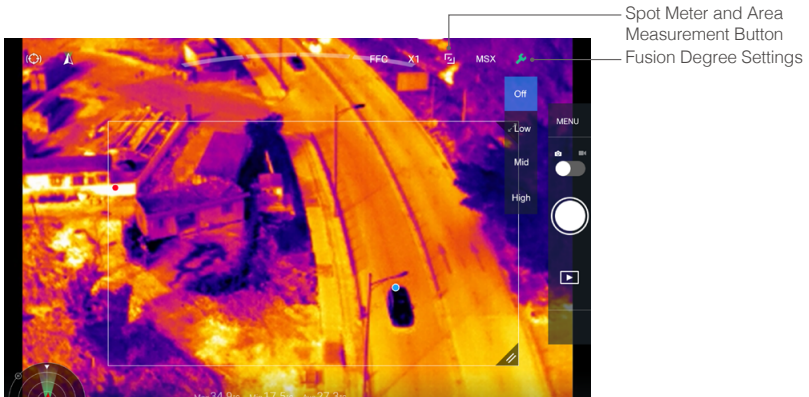


Infrared mode

Only displays the footage that infrared thermal camera captures.

MSX mode

Fuses the infrared and visual footage. Tap the tool icon to select the degree of fusion.



Spot meter and Area measurement are available when using Infrared or MSX modes.

Spot Meter

The temperature of any position in an image can be measured with an accuracy of $\pm 10^{\circ}\text{C}$ (14°F - 50°F). Under ideal environmental conditions are ideal, the camera provides an accuracy of $\pm 5^{\circ}\text{C}$ (23°F - 41°F).

Area Measurement

Enabling this function will display the average temperature, lowest temperature, highest temperature, and the corresponding locations of each area in DJI Pilot. Full-screen view also supported.

The temperature measurement accuracy is affected by various factors:

- 1) Reflectivity of objects - shiny metals with high reflectivity will reflect more of the background radiation and result in lower accuracy, whereas objects with matte surfaces will produce a higher accuracy.
- 2) Temperature of background radiation - a sunny day without clouds will have less of an effect on the accuracy than a cloudy day.
- 3) Air temperature and humidity - as temperature and humidity increases, accuracy decreases.
- 4) Distance between camera and object - as distance decreases, accuracy increases.
- 5) Emissivity of objects – emissivity and accuracy increase together.

When MSX is selected, adjust the accuracy of the MSX footage using MSX adjustment.



6. Tool Icon

Tap for display mode settings.

7. Camera Settings

1) Photo Settings

Shooting modes include Single Shot, Burst: 3/5 frames, Interval Timer (2/3/5/7/10/15/20/30 s).
Photo Format: R-JPEG, JPEG, TIFF (14-bit).

2) Video Settings

The video format can be set independently for the infrared and visual cameras.
Visual camera: MOV or MP4 formats, with differing resolutions.
Infrared camera: MOV, MP4, TIFF Sequence and SEQ formats.

3) General Settings

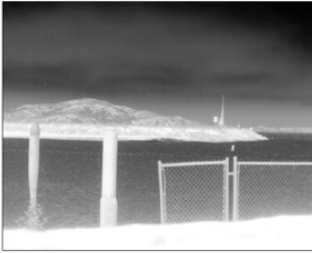
Video caption: Create an onscreen information file to support the video file.
Anti-flicker: Select the frequency to prevent light flickering.
PIP settings: Set where live views from both cameras are displayed on the screen.

ROI (Region of Interest)

Use this feature to manage color range distribution across the screen to maximize contrast for regions of highest interest.

Select "Full" to evenly distribute the color spectrum across the entire image.

For instance, if there is a large patch of sky (relatively low temperature) in your image, much of the color spectrum will be allocated to the lower range, meaning that other parts of the spectrum will have a lower contrast. In this case, you may select "Sky excluded (33%)" or "Sky excluded (50%)" to ignore areas of the sky so that most of the spectrum can be allocated to remaining areas, providing higher contrast and utility for analysis.



ROI set to "Full"



Sky excluded from ROI

Palette

The Zenmuse XT 2 offers a variety of palette options. Distinct colors are used to show temperature differences in the thermal image, which are related to grayscale intensity. The temperature range of the image is mapped to 256 colors and displayed in the 8-bit JPEG or MPEG-4, MOV format.

The following table shows all palette options.

<p>Cold</p> <p>Hot</p> <p>White Hot</p>	<p>Cold</p> <p>Hot</p> <p>Black Hot</p>	<p>Cold</p> <p>Hot</p> <p>Fusion</p>	<p>Cold</p> <p>Hot</p> <p>Rainbow</p>
<p>Cold</p> <p>Hot</p> <p>Glowbow</p>	<p>Cold</p> <p>Hot</p> <p>Ironbow1</p>	<p>Cold</p> <p>Hot</p> <p>Ironbow2</p>	<p>Cold</p> <p>Hot</p> <p>Sepia</p>
<p>Cold</p> <p>Hot</p> <p>Color1</p>	<p>Cold</p> <p>Hot</p> <p>Color2</p>	<p>Cold</p> <p>Hot</p> <p>Ice Fire</p>	<p>Cold</p> <p>Hot</p> <p>Rain</p>

Different palettes applied to the same example image are shown below.

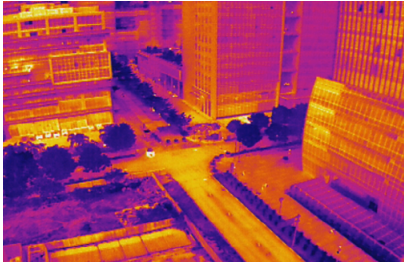
White Hot



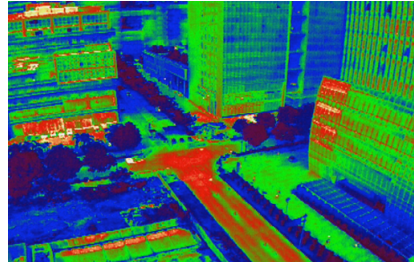
Black Hot



Fusion



Rainbow



Scene

Instantly enhance your images through selecting the Linear, Default, Sea/Sky, Outdoor, Indoor, Manual, or Custom options. The camera will automatically apply the following properties to obtain the best result.

- DDE (Digital Detail Enhancement): Enhances image details and/or suppresses fixed pattern noise.
- ACE (Active Contrast Enhancement): Provides a contrast adjustment dependent on the relative scene temperature. ACE thresholds greater than 0 impart more contrast to hotter scene content and decrease contrast for colder scene content (e.g., the sky or ocean). ACE thresholds less than 0 do the opposite by decreasing contrast for hotter scene content and leaves more of the gray-scale shades available to represent the colder scene content.
- SSO (Smart Scene Optimization): Defines the percentage of the histogram that will be allotted a linear mapping. SSO features facilitate the avoidance of irradiance level compression, which is specifically important for bimodal scenes, and better preserves the radiometric aspects of an image (i.e., the difference in gray shades between two objects is a better representative of the difference in temperature). While radiometry is better preserved with this feature, the optimization of local contrast is compromised.
- Contrast: The ratio of the black and white of the image. Colors will be richer and have more contrast when the value is high.
- Brightness: The brightness of the image.

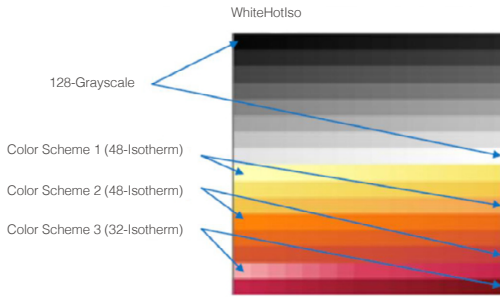
Isotherm

This feature allows designated temperature ranges to be represented with different color schemes, so that objects measured in a single color scheme impart higher contrast and better visibility.

Individual isotherms (or color schemes) are separated by upper, middle, and lower thresholds, which have a value in percentage or temperature.

Take the white-hot isotherm as an example. In the image below, the lower threshold of 128-grayscale is used to represent temperature differences.

Between the lower and middle thresholds, color scheme 1 (48-Isotherm) is used. Between the middle and upper thresholds, color scheme 2 (48-Isotherm) is used. Above the upper threshold, color scheme 3 (32-Isotherm) is used.



<p>Cold WhiteHotIso</p> <p>Hot</p>	<p>Cold BlackHotIso</p> <p>Hot</p>	<p>Cold FusionIso</p> <p>Hot</p>	<p>Cold RainbowIso</p> <p>Hot</p>
<p>Cold GlowbolIso</p> <p>Hot</p>	<p>Cold IronbowWhiteHotIso</p> <p>Hot</p>	<p>Cold IronbowBlackHotIso</p> <p>Hot</p>	<p>Cold SepiaIso</p> <p>Hot</p>
<p>Cold MidRangeWHIso</p> <p>Hot</p>	<p>Cold MidRangeBHIso</p> <p>Hot</p>	<p>Cold IceFireIso</p> <p>Hot</p>	<p>Cold RainbowHCIso</p> <p>Hot</p>
<p>Cold RedHotIso</p> <p>Hot</p>	<p>Cold GreenHotIso</p> <p>Hot</p>		

White Hot Isotherm



Black Hot Isotherm



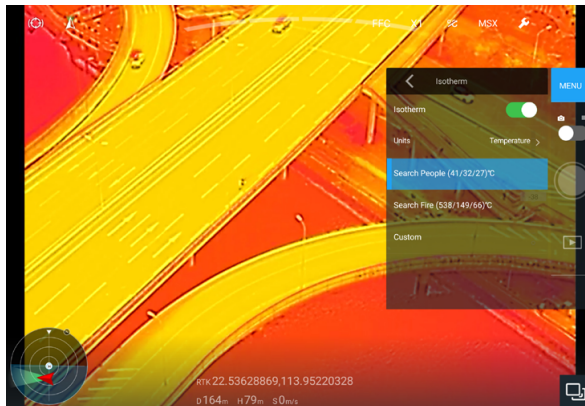
Fusion Isotherm



Rainbow Isotherm



There are three options for Isotherm: Search People, Search Fire, and Customized. When Search People or Search Fire are selected, the upper, middle, and lower thresholds are set. The footage will display with people or fire enhanced for greater visibility. Screenshot shown below is an example of Search People.



Gain Modes

High Gain mode: A narrower temperature range can be captured with a higher sensitivity to temperature differences.

Low Gain mode: A wider temperature range can be captured with a lower sensitivity to temperature differences.

Auto Gain mode (default): The optimal temperature range is automatically selected according to the temperature range of the image.

External Parameters

The scene emissivity, background temperature, and other external parameters can be set by the user to improve temperature measurement accuracy.

Temperature Alert

After enabling the Area measurement feature, an alert temperature value can be set.

When the highest temperature in the selected area exceeds the alert value, an onscreen notification will appear in DJI Pilot.

FFC Settings

Both manual and automatic FFC calibration are supported.

Restore Settings

Tap restore factory default settings to restore the camera to the default settings.

Tap "Format microSD card" to format and remove all content from the microSD card.



- SD card 2, which is located near the lens, is used to store TIFF Sequence and SEQ infrared RAW video only. All other format footage will be stored on SD card 1.
 - It is recommended to use ImageJ to play the TIFF Sequence video and FLIR Tools to play SEQ video.
-

8. Shutter/Record Toggle

Switch between photo and video modes.

9. Shutter/Record Button

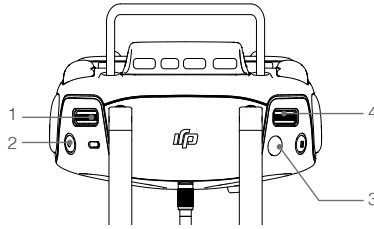
Shoot photos or video depending on the camera mode.

10. Playback

Tap to view photos and videos from the microSD card.

Remote Controller Operation

Press the right dial to select a Palette and press the Shutter or Record button to capture photos or record video. Adjust the camera's tilt using the left dial.



- 1. Left Dial**
Turn to adjust the camera's tilt or pan.
- 2. Record Button**
Press to start/stop recording video.
- 3. Shutter Button**
Press to take photos.
- 4. Right Dial**
Press to select a palette.

Specifications

General	
Name	Zenmuse XT 2
Dimensions	25 mm lens: 123.7×112.6×127.1 mm Other lens versions: 118.02×111.6×125.5 mm
Weight	25 mm lens: 629 g; Other lens versions: 588 g
Gimbal	
Angular Vibration Range	±0.01°
Mount	Detachable
Controllable Range	Tilt: +30° to -90°, Pan: ±320°
Mechanical Range	Tilt: +45° to -130°, Pan: ±330°, Roll: -90° to +60°
Max Controllable Speed	Tilt: 90°/s, Pan: 90°/s
Camera (Thermal)	
Thermal Imager	Uncooled VOx Microbolometer
FPA/ Digital Video Display Formats	640×512; 336×256
Digital Zoom	640×512: 1x, 2x, 4x, 8x; 336×256: 1x, 2x, 4x
Pixel Pitch	17 μm
Spectral Band	7.5-13.5 μm
Full Frame Rates	30 Hz
Exportable Frame Rates	<9 Hz

Sensitivity (NEdT)	<50 mk @ f/1.0
Scene Range (High Gain)	640×512: -25° to 135°C 336×256: -25° to 100°C
Scene Range (Low Gain)	-40° to 550°C
File Storage	microSD card
Photo Format	JPEG, TIFF, R-JPEG
Video Format	8 bit: MOV, MP4 14 bit: TIFF Sequence, SEQ
Camera (Visual)	
Sensor	CMOS, 1/1.7", Effective Pixels: 12 M
Lens	Prime lens; Focus at 8 mm, FOV 57.12°× 42.44°
Digital Zoom	1x, 2x, 4x, 8x
Photo Formats	JPEG
Video Formats	MOV, MP4
Video Resolutions	4K Ultra HD: 3840×2160 29.97p FHD: 1920×1080 29.97p
Working Modes	Capture, Record, Playback
Still Photography Modes	Single Shot Burst Shooting (3/5 frames) Interval (2/3/5/7/10/15/20/30 s)
Video Caption	Supported
Anti-flicker	Auto, 50 Hz, 60 Hz
Storage	microSD card. Max capacity: 128 GB. UHS-3 required. Recommended model: Sandisk Extreme 16/32 GB UHS-3 microSDHC Sandisk Extreme 64/128 GB UHS-3 microSDXC
Supported File System	FAT 32 (≤32GB), exFAT (>32GB)
Image Processing & Display Control	
Image Optimization	Yes
Digital Detail Enhancement	Yes
Polarity Control (Black Hot/ White Hot)	Yes
Color & Monochrome Palettes (LUT)	Yes

Lens Models		9 mm	13 mm	19 mm	25 mm
640×512	FoV	/	f/1.25	f/1.25	f/1.1
	iFoV	/	45°×37° 1.308 mr	32°×26° 0.895 mr	25°×20° 0.680 mr
336×256	FoV	f/1.25	f/1.25	f/1.25	/
	iFoV	35°×27° 1.889 mr	25°×19° 1.308 mr	17°×13° 0.895 mr	/
Min Focus Distance		3.2 cm	7.6 cm	15.3 cm	30 cm
Hyperfocal Distance		2.1 m	4.4 m	9.5 m	21 m
Hyperfocal Depth of Field		1.1 m	2.2 m	4.8 m	11 m

DJI Support
<http://www.dji.com/support>

This content is subject to change.

Download the latest version from
<https://www.dji.com/zenmuse-xt2>



If you have any questions about this document, please contact
DJI by sending a message to DocSupport@dji.com.

ZENMUSE is a trademark of DJI OSMO.
DJI is a trademark of DJI.
Copyright © 2018 DJI All Rights Reserved.