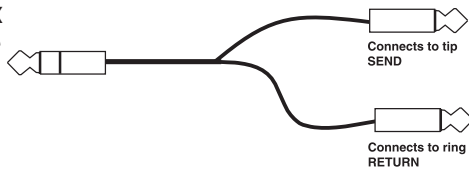


USING THE MIC EFFECTS INSERT

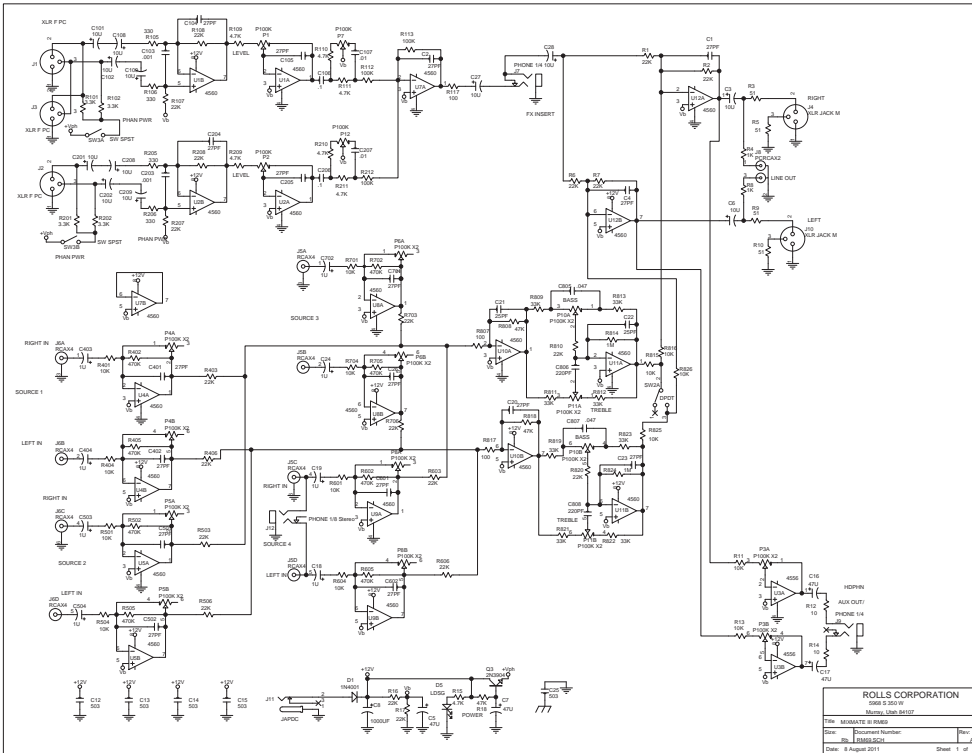
In order to add effects to the microphone signal, an insert cable is needed. The Tip of the plug acts as the Send, the Ring is the Return.

Connect the insert cable's TRS end to the Mic FX Insert jack on the rear of the RM69. Connect the Tip connection to your effects processor's Input jack, and the Ring connection to the Output of the effects processor. The RM69 effects insert is mono, so if the effects processor is stereo - choose a Mono output. You may need to refer to your effects processor owners manual for more information about operating it in mono.



Make sure a microphone is properly connected to the RM69 and the unit is on. Speak into the microphone and adjust the levels of your effects processor for the desired process and level of effect.

SCHEMATIC



ROLLS CORPORATION
SALT LAKE CITY, UTAH
09/11
www.rolls.com

ROLLS

RM69 MixMate 3 Mic/Source Mixer



SPECIFICATIONS

Input Impedance:	Mic:	600 Ohms XLR balanced
	Source:	22K Ohms RCA
	Mic Insert:	22K Ohms 1/4" TRS insert
Max Input Level:	Mic:	-14 dBV Mic level
	Source:	24 dBV
Headphone Output Impedance:		>8 Ohms
Total - In/Out Connectors:		5: XLR, 5: Stereo RCA, 1: 1/4" TRS, 2: 3.5mm
Phantom Power:		+15 VDC
Output Level:		+17 dBV max
Output Impedance:		100 Ohms Balanced
Max Gain:	Mic:	60 dB
	Source:	26 dB
Tone Controls:		+/-12 dB 100 Hz Bass +/-12 dB 11 kHz Treble
Noise Floor:		- 80 dB, THD: <.025%,
S/N Ratio:		96 dB
Size:		19" x 1.75" x 4" (48.3 x 4.5 x 10 cm)
Weight:		5 lbs. (2.3 kg)

USER GUIDE

Thank you for your purchase of the Rolls RM69 MixMate 3 Mic / Source Mixer. The RM69 mixes two microphones with up to four stereo source signals such as CD players, karaoke machines, MP3 Players, etc.. The unit is housed in a compact yet sturdy steel 1U rack chassis.

CONNECTION

INSPECTION

1. Unpack and inspect the RM69 box and package.

Your RM69 was carefully packed at the factory in a protective carton. Nonetheless, be sure to examine the unit and the carton for any signs of damage that may have occurred during shipping. If obvious physical damage is noticed, contact the carrier immediately to make a damage claim. We suggest saving the shipping carton and packing materials for safely transporting the unit in the future.

2. For warranty information, visit our website; www.rolls.com Please register your new RM69 there, or complete the Warranty Registration Card and return it to the factory.

Ensure the RM69 is securely mounted in a 19" rack. Connect the power supply to an AC outlet (preferably a power strip with master switch). If the unit is to be used in a permanent install, connect all sources and microphones to the desired channels on the rear panel. Remember which signal sources are connected to which Source Inputs. For use in mobile DJ/Karaoke rigs, the microphone should be connected to the front panel Microphone Input so it may be easily removed when the mobile rig is packed.

DESCRIPTION

FRONT PANEL



INPUT: Balanced XLR jack for connection to a dynamic or condenser microphone. This jack parallels the Channel 1 Microphone Input on the rear panel.

NOTE: The following two descriptions are for Mic 1 and Mic 2.

LEVEL: Adjusts the amount of signal from the Microphone Input channel to the Main Outputs.

TONE: Adjusts the relative frequency components of the Mic signal. Turning this control clockwise from the center (detented) position decreases the low frequencies. Turning the control counter-clockwise from center decreases the high frequencies.

SOURCE LEVEL CONTROLS 1 - 4: Adjust the amount of signal from the indicated Source channel to the Main Outputs.

IN 4: 1/8" (3.5 mm) Source Input jack. This jack parallels the Source 4 Input on the rear panel.

BASS: Varies the amount of the low frequency portion (150 Hz) of the Source signals.

TREBLE: Varies the amount of the high frequency portion (10 kHz) of the Source signals.

HEADPHONE LEVEL: Adjusts the amount of signal to the Headphone Output.

HEADPHONE OUTPUT: 1/8" Tip-Ring-Sleeve jack for connection to any standard pair of audio headphones.

pwr LED: Indicates that the RM69 is powered on.

OPERATION

Make sure all audio connections are in place, and power is applied to all pieces of equipment necessary for operation, ie; speakers, power amplifiers, microphones etc.

Normally, only one source signal is heard at a time along with a microphone signal. Therefore, begin with all Levels completely counter-clockwise (off). Keep the Headphone Level control low at first. There will be nothing heard from the Main Outputs until you increase the level of a Source or Mic channel. You may now turn up the Source's for playing. Set the Headphone Level for a comfortable amount. Increase the Source Level of the desired channel, and begin playing the selection.

REAR PANEL



DC INPUT: Connects to the included Rolls PS27's power adapter.

LINE OUTPUTS RCA: Unbalanced output jacks

XLR: balanced output jacks

SOURCE INPUTS: Unbalanced RCA input jacks.

FX INSERT: 1/4" Tip-Ring-Sleeve jack for connection to an insert plug (see diagram) and to an effects processor. Allows for effects to be added to the microphone signals.

PHANTOM POWER: Dip switches for applying phantom power to the indicated microphone.

MICROPHONE INPUTS 1 and 2: Balanced XLR jacks for connecting to dynamic or condenser microphones.