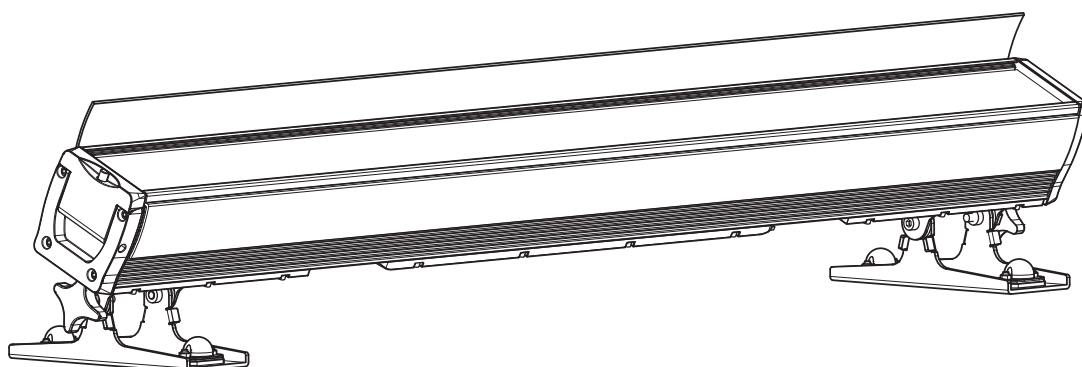


COLORADO *BATTEN* 72X

Quick Reference Guide

English	EN
Español	ES
Français	FR
Deutsch	DE
Nederlands	NL



About This Guide

The COLORado Batten 72X Quick Reference Guide (QRG) has basic product information such as connection, mounting, menu options, and DMX values. Download the User Manual from www.chauvetprofessional.com for more details.

Disclaimer

The information and specifications contained in this QRG are subject to change without notice.

LIMITED WARRANTY

FOR WARRANTY REGISTRATION AND COMPLETE TERMS AND CONDITIONS PLEASE VISIT OUR WEBSITE.

For Customers in the United States and Mexico: www.chauvetlighting.com/warranty-registration.

For Customers in the United Kingdom, Republic of Ireland, Belgium, the Netherlands, Luxembourg, France, and Germany: www.chauvetlighting.eu/warranty-registration.

Chauvet warrants that this product shall be free from defects in material and workmanship under normal use, for the period specified in, and subject to the exclusions and limitations set forth in the full limited warranty on our website. This warranty extends only to the original purchaser of the product and is not transferable. To exercise rights under this warranty, you must provide proof of purchase in the form of an original sales receipt from an authorized dealer that shows the product name and date of purchase. THERE ARE NO OTHER EXPRESS OR IMPLIED WARRANTIES. This warranty gives you specific legal rights. You may also have other rights that vary from state to state and country to country. This warranty is valid only in the United States, United Kingdom, Republic of Ireland, Belgium, the Netherlands, Luxembourg, France, Germany and Mexico. For warranty terms in other countries, please consult your local distributor.

Safety Notes

These Safety Notes include important information about installation, use, and maintenance.

- DO NOT open this product. It contains no user-serviceable parts.
- To eliminate unnecessary wear and improve its lifespan, during periods of non-use completely disconnect the product from power via breaker or by unplugging it.
- DO NOT look at the light source when the product is on.
- CAUTION: This product's housing may be hot when lights are operating. Mount this product in a location with adequate ventilation, at least 20 in (50 cm) from adjacent surfaces.
- DO NOT leave any flammable material within 50 cm of this product while operating or connected to power.
- CAUTION: When transferring product from extreme temperature environments, (e.g., cold truck to warm humid ballroom) condensation may form on the internal electronics of the product. To avoid causing a failure, allow product to fully acclimate to the surrounding environment before connecting it to power.
- Not for permanent outdoor installation in locations with extreme environmental conditions. This includes, but is not limited to:
 - Exposure to a marine/saline environment (within 3 miles of a saltwater body of water).
 - Where the normal high or low temperatures of the location exceed the temperature ranges in this manual.
 - Locations that are prone to flooding or being buried in snow.
 - Other areas where the product will be subject to extreme radiation or caustic substances.
- USE a safety cable when mounting this product overhead.
- DO NOT submerge this product (IP65). Regular outdoor operation is fine.
- DO NOT operate this product if the housing, lenses, or cables appear damaged.
- DO NOT connect this product to a dimmer or rheostat.
- ONLY connect this product to a grounded and protected circuit.
- ONLY use the hanging/mounting bracket to carry this product.
- In the event of a serious operating problem, stop using immediately.
- The maximum ambient temperature is 113 °F (45 °C). Do not operate this product at higher temperatures.

Contact

Outside the U.S., United Kingdom, Ireland, Benelux, France, Germany, or Mexico, contact your distributor to request support or return a product. Refer to [Contact Us](#) at the end of this QRG for contact information.

What is Included

- COLORado Batten 72X with glare shield
- Seetronic Powerkon IP65 power cord
- Omega Brackets
- Quick Reference Guide

AC Power

This product has an auto-ranging power supply that can work with an input voltage range of 100–240 VAC, 50/60 Hz.

Power Linking

You can link up to 6 COLORado Batten 72X products at 120 V, 17 products at 208 V, or 19 products at 230 V. Never exceed this number. Power linking cords can be purchased separately.

AC Plug

Connection	Wire (U.S.)	Wire (Europe)	Screw Color
AC Live	Black	Brown	Yellow/Brass
AC Neutral	White	Blue	Silver
AC Ground	Green/Yellow	Green/Yellow	Green



To eliminate unnecessary wear and improve its lifespan, during periods of non-use completely disconnect the product from power via breaker or by unplugging it.

DMX Linking

The COLORado Batten 72X will work with a DMX controller using a 5-pin DMX serial connection. A DMX Primer is available from www.chauvetprofessional.com.

DMX Connection

The COLORado Batten 72X uses a 5-pin DMX data connection for its 18 control personalities, ranging from 3-channel to 43-channel in 1-cell modes and 3-cell modes:

	RGB	RGB EXT	RGBA	RGBA EXT	RGBAW	RGBAW EXT	RGBAW FIN	RGBAW FUL	HSIC
1-Cell	3	8	4	9	5	10	10	16	8
3-Cells	9	21	12	24	15	27	30	43	22

See the User Manual for information about connecting and configuring the product for DMX operation.

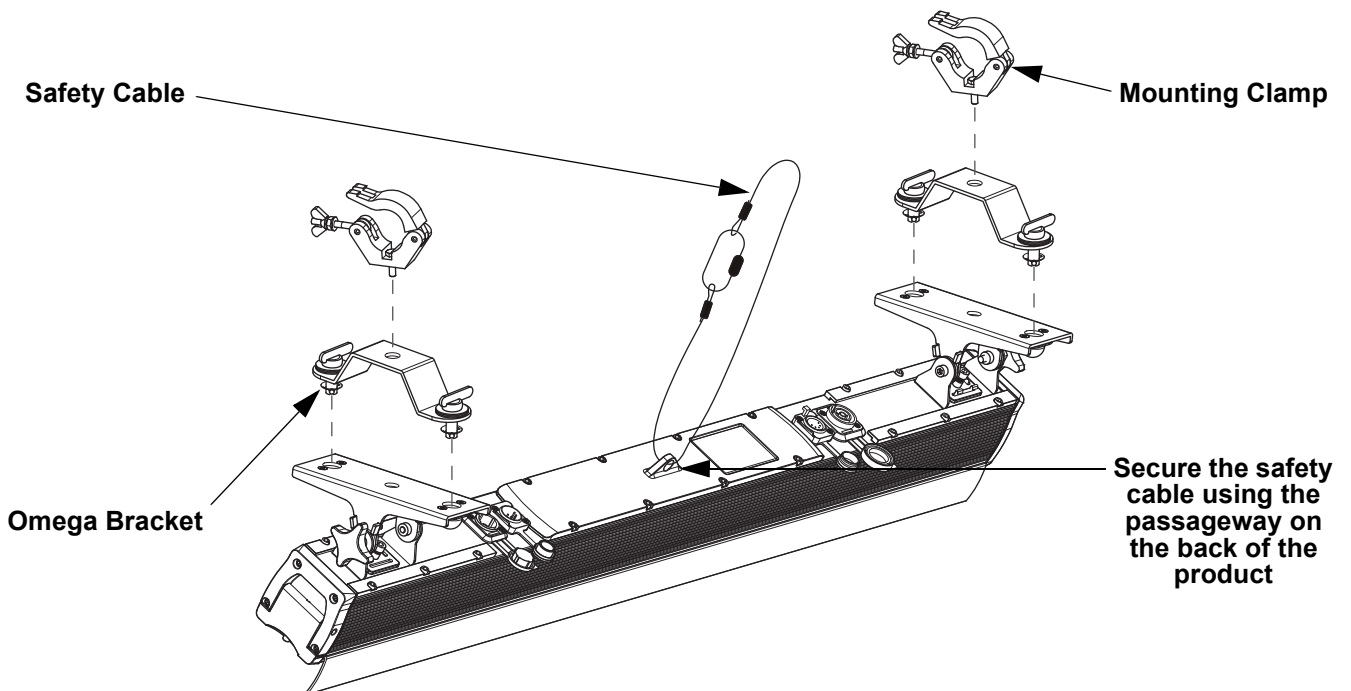
RDM (Remote Device Management)

Remote Device Management, or RDM, is a standard for allowing DMX-enabled devices to communicate bi-directionally along existing DMX cabling. Check the DMX controller’s User Manual or with the manufacturer as not all DMX controllers have this capability. The COLORado Batten 72X supports RDM protocol that allows feedback to make changes to menu map options. Download the User Manual from www.chauvetprofessional.com for more details.

Mounting

Before mounting this product, read the [Safety Notes](#). Use at least two mounting point per product. Make sure the mounting clamps are capable of supporting the weight of the product. For our Chauvet line of mounting clamps, go to <http://trusst.com/productcategory/truss-clamps/>.

Mounting Diagram



Control Panel Description

Button	Function
<MENU>	Exits from the current menu or function
<ENTER>	Enables the currently displayed menu or sets the currently selected value into the selected function
<UP>	Navigates upwards through the menu list or increases the numeric value when in a function
<DOWN>	Navigates downwards through the menu list or decreases the numeric value when in a function

Menu Map

Main Level	Programming Levels	Description
Start Address	1–510*	Selects DMX address (*highest channel restricted to personality chosen)
	1 RGB	3-channel: RGB
Personality	1 RGB EXT	8-channel: 16-bit Dimmer, RGB, Color Macro, Color Temperature, Strobe
	1 RGBA	4-channel: RGBA
	1 RGBA EXT	9-channel: 16-bit Dimmer, RGBA, Color Macro, Color Temperature, Strobe
	1 RGBAW	5-channel: RGBAW
	1 RGBAW EXT	10-channel: 16-bit Dimmer, RGBAW, Color Macro, Color Temperature, Strobe
	1 RGBAW FIN	10-channel: 16-bit RGBAW
	1 RGBAW FUL	16-channel: 16-bit Dimmer, 16-bit RGBAW, Color Macro, Color Temperature, Strobe, Dimmer Speed
	1 HSIC	8-channel: Dimmer, 16-bit Hue, Saturation, Strobe, Color Macro, Color Temperature, Dimmer Speed
	3 RGB	9-channel (3-cell): RGB
	3 RGB EXT	21-channel (3-cell): 16-bit Dimmer, RGB, Color Macro, Color Temperature, Strobe
	3 RGBA	12-channel (3-cell): RGBA
	3 RGBA EXT	24-channel (3-cell): 16-bit Dimmer, RGBA, Color Macro, Color Temperature, Strobe
	3 RGBAW	15-channel (3-cell): RGBAW
	3 RGBAW EXT	27-channel (3-cell): 16-bit Dimmer, RGBAW, Color Macro, Color Temperature, Strobe
	3 RGBAW FIN	30-channel (3-cell): 16-bit RGBAW
	3 RGBAW FUL	43-channel (3-cell): 16-bit Dimmer, 16-bit RGBAW, Color Macro, Color Temperature, Strobe, Dimmer Speed
	3 HSIC	22-channel (3-cell): Dimmer, 16-bit Hue, Saturation, Strobe, Color Macro, Color Temperature, Dimmer Speed
Output Setting	Power Mode	Avoids going over the maximum temperature by adjusting output intensity
	Steady Mode	Uses lower output intensity at a constant rate to avoid going over the maximum temperature
	Legacy Mode	Matches output intensity of COLORado Batten 72 Tour

Main Level	Programming Levels			Description	
Static Colors	Preset Colors	Color 1–14	Dimmer 0–100%	Preset static colors	
	CCT Temper	White 1–14		Preset color temperatures	
	RGBAW	Red	Red 0–255	Combine red, green, blue, amber, and white to make a custom color	
		Green	Green 0–255		
		Blue	Blue 0–255		
Amber		Amber 0–255			
White	White 0–255				
Auto Programs	Run	AUTO.1–10	Speed 0–100	Selects automatic programs and program speed	
		Program 1–10			
	Edit	Program 1–10	SCENE-01–30	Red 0–255	Selects and edits a custom program
				Green 0–255	
				Blue 0–255	
Amber 0–255					
White 0–255					
Master/Slave	Master			DMX mode (Master)	
	Slave			Slave mode	
Dimmer Mode	OFF			Linear dimmer	
	DIM1–4			Dimming curves DIM1 (fast) to DIM4 (slow)	
LED Frequency	600Hz			Sets the PWM frequency	
	1200Hz				
	2000Hz				
	2400Hz				
	4000Hz				
	25000Hz				
Cell Order	1 – 3			Sets order of cells	
	3 – 1				
Setting	**** (Enter Passcode)	DMX Error/ Loss	Hold Last	Continues last command upon loss of DMX	
			Blackout	Blacks out product upon loss of DMX	
		Disp TimeOut	On	Display backlight always on	
			10s	Turns off display backlight after 10 seconds of inactivity	
			20s	Turns off display backlight after 20 seconds of inactivity	
		Disp Passcode	30s	Turns off display backlight after 30 seconds of inactivity	
On	Locks display (passcode is <UP>, <DOWN>, <UP>, <DOWN>, <ENTER>)				
Information	Fixture Hours		___ _ Hours	Shows total hours the product has been powered on	
	Firmware Vers		V__	Shows current firmware version	
	RDM	UID	_____	Shows product UID	
		LABEL	Batten 72X	Shows RDM label	
Factory Reset	No			Resets the product to factory default settings	
	Yes				

QUICK REFERENCE GUIDE



EN

3-Cell DMX Values

3 HSIC (22 Channels)

Channel	Function	Value	Percent/Setting
1	Dimmer 1	000 ⇄ 255	0–100%
2	Hue 1	000 ⇄ 255	0–100%
3	Fine Hue 1	000 ⇄ 255	0–100%
4	Saturation 1	000 ⇄ 255	0–100%
5	Strobe 1	000 ⇄ 009	No function
		010 ⇄ 099	Strobe, slow to fast
		100 ⇄ 109	No function
		110 ⇄ 179	Pulse strobe, slow to fast
		180 ⇄ 189	No function
		190 ⇄ 255	Random strobe, slow to fast
6	Color Macros 1	000 ⇄ 010	No function
		011 ⇄ 034	R: 100% G: 0–100% B: 0% A: 0% W: 0%
		035 ⇄ 059	R: 100–0% G: 100% B: 0% A: 0% W: 0%
		060 ⇄ 084	R: 0% G: 100% B: 0–100% A: 0% W: 0%
		084 ⇄ 109	R: 0% G: 100–0% B: 100% A: 0% W: 0%
		110 ⇄ 134	R: 0–100% G: 0% B: 100% A: 0% W: 0%
		134 ⇄ 159	R: 100% G: 0% B: 100–0% A: 0% W: 0%
		160 ⇄ 184	R: 100% G: 0–100% B: 0–100% A: 0% W: 0%
		184 ⇄ 209	R: 100–0% G: 100–0% B: 100% A: 0% W: 0%
210 ⇄ 255	R: 100% G: 100% B: 100% A: 100% W: 100%		
7	Color Temperatures 1	000 ⇄ 010	No function
		011 ⇄ 028	White 1
		029 ⇄ 046	White 2
		047 ⇄ 064	White 3
		065 ⇄ 082	White 4
		083 ⇄ 100	White 5
		101 ⇄ 118	White 6
		119 ⇄ 136	White 7
		137 ⇄ 154	White 8
		155 ⇄ 172	White 9
		173 ⇄ 190	White 10
		191 ⇄ 208	White 11
		209 ⇄ 226	White 12
		227 ⇄ 244	White 13
245 ⇄ 255	White 14		
8	Dimmer 2	000 ⇄ 255	0–100%
9	Hue 2	000 ⇄ 255	0–100%
10	Fine Hue 2	000 ⇄ 255	0–100%
11	Saturation 2	000 ⇄ 255	0–100%
12	Strobe 2	000 ⇄ 009	No function
		010 ⇄ 099	Strobe, slow to fast
		100 ⇄ 109	No function
		110 ⇄ 179	Pulse strobe, slow to fast
		180 ⇄ 189	No function
		190 ⇄ 255	Random strobe, slow to fast

Channel	Function	Value	Percent/Setting
13	Color Macros 2	000 ⇔ 010	No function
		011 ⇔ 034	R: 100% G: 0–100% B: 0% A: 0% W: 0%
		035 ⇔ 059	R: 100–0% G: 100% B: 0% A: 0% W: 0%
		060 ⇔ 084	R: 0% G: 100% B: 0–100% A: 0% W: 0%
		084 ⇔ 109	R: 0% G: 100–0% B: 100% A: 0% W: 0%
		110 ⇔ 134	R: 0–100% G: 0% B: 100% A: 0% W: 0%
		134 ⇔ 159	R: 100% G: 0% B: 100–0% A: 0% W: 0%
		160 ⇔ 184	R: 100% G: 0–100% B: 0–100% A: 0% W: 0%
		184 ⇔ 209	R: 100–0% G: 100–0% B: 100% A: 0% W: 0%
		210 ⇔ 255	R: 100% G: 100% B: 100% A: 100% W: 100%
14	Color Temperatures 2	000 ⇔ 010	No function
		011 ⇔ 028	White 1
		029 ⇔ 046	White 2
		047 ⇔ 064	White 3
		065 ⇔ 082	White 4
		083 ⇔ 100	White 5
		101 ⇔ 118	White 6
		119 ⇔ 136	White 7
		137 ⇔ 154	White 8
		155 ⇔ 172	White 9
		173 ⇔ 190	White 10
		191 ⇔ 208	White 11
		209 ⇔ 226	White 12
		227 ⇔ 244	White 13
245 ⇔ 255	White 14		
15	Dimmer 3	000 ⇔ 255	0–100%
16	Hue 3	000 ⇔ 255	0–100%
17	Fine Hue 3	000 ⇔ 255	0–100%
18	Saturation 3	000 ⇔ 255	0–100%
19	Strobe 3	000 ⇔ 009	No function
		010 ⇔ 099	Strobe, slow to fast
		100 ⇔ 109	No function
		110 ⇔ 179	Pulse strobe, slow to fast
		180 ⇔ 189	No function
		190 ⇔ 255	Random strobe, slow to fast
20	Color Macros 3	000 ⇔ 010	No function
		011 ⇔ 034	R: 100% G: 0–100% B: 0% A: 0% W: 0%
		035 ⇔ 059	R: 100–0% G: 100% B: 0% A: 0% W: 0%
		060 ⇔ 084	R: 0% G: 100% B: 0–100% A: 0% W: 0%
		084 ⇔ 109	R: 0% G: 100–0% B: 100% A: 0% W: 0%
		110 ⇔ 134	R: 0–100% G: 0% B: 100% A: 0% W: 0%
		134 ⇔ 159	R: 100% G: 0% B: 100–0% A: 0% W: 0%
		160 ⇔ 184	R: 100% G: 0–100% B: 0–100% A: 0% W: 0%
		184 ⇔ 209	R: 100–0% G: 100–0% B: 100% A: 0% W: 0%
		210 ⇔ 255	R: 100% G: 100% B: 100% A: 100% W: 100%

QUICK REFERENCE GUIDE



EN

Channel	Function	Value	Percent/Setting
21	Color Temperatures 3	000 ⇄ 010	No function
		011 ⇄ 028	White 1
		029 ⇄ 046	White 2
		047 ⇄ 064	White 3
		065 ⇄ 082	White 4
		083 ⇄ 100	White 5
		101 ⇄ 118	White 6
		119 ⇄ 136	White 7
		137 ⇄ 154	White 8
		155 ⇄ 172	White 9
		173 ⇄ 190	White 10
		191 ⇄ 208	White 11
		209 ⇄ 226	White 12
		227 ⇄ 244	White 13
245 ⇄ 255	White 14		
22	Dimmer Speed	000 ⇄ 009	Preset dimmer speed from display menu
		010 ⇄ 029	Dimmer speed mode off
		030 ⇄ 069	Dimmer speed mode 1 (fastest)
		070 ⇄ 129	Dimmer speed mode 2
		130 ⇄ 189	Dimmer speed mode 3
		190 ⇄ 255	Dimmer speed mode 4 (slowest)

3 RGBAW FUL (43 Channels)

Channel	Function	Value	Percent/Setting
1	Dimmer	000 ⇄ 255	0–100%
2	Fine Dimmer	000 ⇄ 255	0–100%
3	Red 1	000 ⇄ 255	0–100%
4	Fine Red 1	000 ⇄ 255	0–100%
5	Green 1	000 ⇄ 255	0–100%
6	Fine Green 1	000 ⇄ 255	0–100%
7	Blue 1	000 ⇄ 255	0–100%
8	Fine Blue 1	000 ⇄ 255	0–100%
9	Amber 1	000 ⇄ 255	0–100%
10	Fine Amber 1	000 ⇄ 255	0–100%
11	White 1	000 ⇄ 255	0–100%
12	Fine White 1	000 ⇄ 255	0–100%
13	Color Macros 1	000 ⇄ 010	No function
		011 ⇄ 034	R: 100% G: 0–100% B: 0% A: 0% W: 0%
		035 ⇄ 059	R: 100–0% G: 100% B: 0% A: 0% W: 0%
		060 ⇄ 084	R: 0% G: 100% B: 0–100% A: 0% W: 0%
		084 ⇄ 109	R: 0% G: 100–0% B: 100% A: 0% W: 0%
		110 ⇄ 134	R: 0–100% G: 0% B: 100% A: 0% W: 0%
		134 ⇄ 159	R: 100% G: 0% B: 100–0% A: 0% W: 0%
		160 ⇄ 184	R: 100% G: 0–100% B: 0–100% A: 0% W: 0%
184 ⇄ 209	R: 100–0% G: 100–0% B: 100% A: 0% W: 0%		
210 ⇄ 255	R: 100% G: 100% B: 100% A: 100% W: 100%		

Channel	Function	Value	Percent/Setting
14	Color Temperatures 1	000 ⇔ 010	No function
		011 ⇔ 028	White 1
		029 ⇔ 046	White 2
		047 ⇔ 064	White 3
		065 ⇔ 082	White 4
		083 ⇔ 100	White 5
		101 ⇔ 118	White 6
		119 ⇔ 136	White 7
		137 ⇔ 154	White 8
		155 ⇔ 172	White 9
		173 ⇔ 190	White 10
		191 ⇔ 208	White 11
		209 ⇔ 226	White 12
		227 ⇔ 244	White 13
245 ⇔ 255	White 14		
15	Strobe 1	000 ⇔ 009	No function
		010 ⇔ 099	Strobe, slow to fast
		100 ⇔ 109	No function
		110 ⇔ 179	Pulse strobe, slow to fast
		180 ⇔ 189	No function
		190 ⇔ 255	Random strobe, slow to fast
16	Red 2	000 ⇔ 255	0–100%
17	Fine Red 2	000 ⇔ 255	0–100%
18	Green 2	000 ⇔ 255	0–100%
19	Fine Green 2	000 ⇔ 255	0–100%
20	Blue 2	000 ⇔ 255	0–100%
21	Fine Blue 2	000 ⇔ 255	0–100%
22	Amber 2	000 ⇔ 255	0–100%
23	Fine Amber 2	000 ⇔ 255	0–100%
24	White 2	000 ⇔ 255	0–100%
25	Fine White 2	000 ⇔ 255	0–100%
26	Color Macros 2	000 ⇔ 010	No function
		011 ⇔ 034	R: 100% G: 0–100% B: 0% A: 0% W: 0%
		035 ⇔ 059	R: 100–0% G: 100% B: 0% A: 0% W: 0%
		060 ⇔ 084	R: 0% G: 100% B: 0–100% A: 0% W: 0%
		084 ⇔ 109	R: 0% G: 100–0% B: 100% A: 0% W: 0%
		110 ⇔ 134	R: 0–100% G: 0% B: 100% A: 0% W: 0%
		134 ⇔ 159	R: 100% G: 0% B: 100–0% A: 0% W: 0%
		160 ⇔ 184	R: 100% G: 0–100% B: 0–100% A: 0% W: 0%
		184 ⇔ 209	R: 100–0% G: 100–0% B: 100% A: 0% W: 0%
		210 ⇔ 255	R: 100% G: 100% B: 100% A: 100% W: 100%

QUICK REFERENCE GUIDE



EN

Channel	Function	Value	Percent/Setting
27	Color Temperatures 2	000 ⇄ 010	No function
		011 ⇄ 028	White 1
		029 ⇄ 046	White 2
		047 ⇄ 064	White 3
		065 ⇄ 082	White 4
		083 ⇄ 100	White 5
		101 ⇄ 118	White 6
		119 ⇄ 136	White 7
		137 ⇄ 154	White 8
		155 ⇄ 172	White 9
		173 ⇄ 190	White 10
		191 ⇄ 208	White 11
		209 ⇄ 226	White 12
		227 ⇄ 244	White 13
245 ⇄ 255	White 14		
28	Strobe 2	000 ⇄ 009	No function
		010 ⇄ 099	Strobe, slow to fast
		100 ⇄ 109	No function
		110 ⇄ 179	Pulse strobe, slow to fast
		180 ⇄ 189	No function
		190 ⇄ 255	Random strobe, slow to fast
29	Red 3	000 ⇄ 255	0–100%
30	Fine Red 3	000 ⇄ 255	0–100%
31	Green 3	000 ⇄ 255	0–100%
32	Fine Green 3	000 ⇄ 255	0–100%
33	Blue 3	000 ⇄ 255	0–100%
34	Fine Blue 3	000 ⇄ 255	0–100%
35	Amber 3	000 ⇄ 255	0–100%
36	Fine Amber 3	000 ⇄ 255	0–100%
37	White 3	000 ⇄ 255	0–100%
38	Fine White 3	000 ⇄ 255	0–100%
39	Color Macros 3	000 ⇄ 010	No function
		011 ⇄ 034	R: 100% G: 0–100% B: 0% A: 0% W: 0%
		035 ⇄ 059	R: 100–0% G: 100% B: 0% A: 0% W: 0%
		060 ⇄ 084	R: 0% G: 100% B: 0–100% A: 0% W: 0%
		084 ⇄ 109	R: 0% G: 100–0% B: 100% A: 0% W: 0%
		110 ⇄ 134	R: 0–100% G: 0% B: 100% A: 0% W: 0%
		134 ⇄ 159	R: 100% G: 0% B: 100–0% A: 0% W: 0%
		160 ⇄ 184	R: 100% G: 0–100% B: 0–100% A: 0% W: 0%
		184 ⇄ 209	R: 100–0% G: 100–0% B: 100% A: 0% W: 0%
		210 ⇄ 255	R: 100% G: 100% B: 100% A: 100% W: 100%

Channel	Function	Value	Percent/Setting
40	Color Temperatures 3	000 ⇔ 010	No function
		011 ⇔ 028	White 1
		029 ⇔ 046	White 2
		047 ⇔ 064	White 3
		065 ⇔ 082	White 4
		083 ⇔ 100	White 5
		101 ⇔ 118	White 6
		119 ⇔ 136	White 7
		137 ⇔ 154	White 8
		155 ⇔ 172	White 9
		173 ⇔ 190	White 10
		191 ⇔ 208	White 11
		209 ⇔ 226	White 12
		227 ⇔ 244	White 13
245 ⇔ 255	White 14		
41	Strobe 3	000 ⇔ 009	No function
		010 ⇔ 099	Strobe, slow to fast
		100 ⇔ 109	No function
		110 ⇔ 179	Pulse strobe, slow to fast
		180 ⇔ 189	No function
		190 ⇔ 255	Random strobe, slow to fast
42	Strobe All	000 ⇔ 009	No function
		010 ⇔ 099	Strobe, slow to fast
		100 ⇔ 109	No function
		110 ⇔ 179	Pulse strobe, slow to fast
		180 ⇔ 189	No function
		190 ⇔ 255	Random strobe, slow to fast
43	Dimmer Speed	000 ⇔ 009	Preset dimmer speed from display menu
		010 ⇔ 029	Dimmer speed mode off
		030 ⇔ 069	Dimmer speed mode 1 (fastest)
		070 ⇔ 129	Dimmer speed mode 2
		130 ⇔ 189	Dimmer speed mode 3
		190 ⇔ 255	Dimmer speed mode 4 (slowest)

3 RGBAW FIN (30 Channels)

Channel	Function	Value	Percent/Setting
1	Red 1	000 ⇔ 255	0–100%
2	Fine Red 1	000 ⇔ 255	0–100%
3	Green 1	000 ⇔ 255	0–100%
4	Fine Green 1	000 ⇔ 255	0–100%
5	Blue 1	000 ⇔ 255	0–100%
6	Fine Blue 1	000 ⇔ 255	0–100%
7	Amber 1	000 ⇔ 255	0–100%
8	Fine Amber 1	000 ⇔ 255	0–100%
9	White 1	000 ⇔ 255	0–100%
10	Fine White 1	000 ⇔ 255	0–100%
11	Red 2	000 ⇔ 255	0–100%
12	Fine Red 2	000 ⇔ 255	0–100%
13	Green 2	000 ⇔ 255	0–100%
14	Fine Green 2	000 ⇔ 255	0–100%
15	Blue 2	000 ⇔ 255	0–100%
16	Fine Blue 2	000 ⇔ 255	0–100%
17	Amber 2	000 ⇔ 255	0–100%
18	Fine Amber 2	000 ⇔ 255	0–100%
19	White 2	000 ⇔ 255	0–100%

QUICK REFERENCE GUIDE



EN

Channel	Function	Value	Percent/Setting
20	Fine White 2	000 ⇄ 255	0–100%
21	Red 3	000 ⇄ 255	0–100%
22	Fine Red 3	000 ⇄ 255	0–100%
23	Green 3	000 ⇄ 255	0–100%
24	Fine Green 3	000 ⇄ 255	0–100%
25	Blue 3	000 ⇄ 255	0–100%
26	Fine Blue 3	000 ⇄ 255	0–100%
27	Amber 3	000 ⇄ 255	0–100%
28	Fine Amber 3	000 ⇄ 255	0–100%
29	White 3	000 ⇄ 255	0–100%
30	Fine White 3	000 ⇄ 255	0–100%

3 RGBAW EXT (27 Channels)

Channel	Function	Value	Percent/Setting
1	Dimmer	000 ⇄ 255	0–100%
2	Fine Dimmer	000 ⇄ 255	0–100%
3	Red 1	000 ⇄ 255	0–100%
4	Green 1	000 ⇄ 255	0–100%
5	Blue 1	000 ⇄ 255	0–100%
6	Amber 1	000 ⇄ 255	0–100%
7	White 1	000 ⇄ 255	0–100%
8	Color Macros 1	000 ⇄ 010	No function
		011 ⇄ 034	R: 100% G: 0–100% B: 0% A: 0% W: 0%
		035 ⇄ 059	R: 100–0% G: 100% B: 0% A: 0% W: 0%
		060 ⇄ 084	R: 0% G: 100% B: 0–100% A: 0% W: 0%
		084 ⇄ 109	R: 0% G: 100–0% B: 100% A: 0% W: 0%
		110 ⇄ 134	R: 0–100% G: 0% B: 100% A: 0% W: 0%
		134 ⇄ 159	R: 100% G: 0% B: 100–0% A: 0% W: 0%
		160 ⇄ 184	R: 100% G: 0–100% B: 0–100% A: 0% W: 0%
		184 ⇄ 209	R: 100–0% G: 100–0% B: 100% A: 0% W: 0%
210 ⇄ 255	R: 100% G: 100% B: 100% A: 100% W: 100%		
9	Color Temperatures 1	000 ⇄ 010	No function
		011 ⇄ 028	White 1
		029 ⇄ 046	White 2
		047 ⇄ 064	White 3
		065 ⇄ 082	White 4
		083 ⇄ 100	White 5
		101 ⇄ 118	White 6
		119 ⇄ 136	White 7
		137 ⇄ 154	White 8
		155 ⇄ 172	White 9
		173 ⇄ 190	White 10
		191 ⇄ 208	White 11
		209 ⇄ 226	White 12
		227 ⇄ 244	White 13
245 ⇄ 255	White 14		
10	Strobe 1	000 ⇄ 009	No function
		010 ⇄ 099	Strobe, slow to fast
		100 ⇄ 109	No function
		110 ⇄ 179	Pulse strobe, slow to fast
		180 ⇄ 189	No function
		190 ⇄ 255	Random strobe, slow to fast
11	Red 2	000 ⇄ 255	0–100%
12	Green 2	000 ⇄ 255	0–100%
13	Blue 2	000 ⇄ 255	0–100%

Channel	Function	Value	Percent/Setting
14	Amber 2	000 ⇔ 255	0–100%
15	White 2	000 ⇔ 255	0–100%
16	Color Macros 2	000 ⇔ 010	No function
		011 ⇔ 034	R: 100% G: 0–100% B: 0% A: 0% W: 0%
		035 ⇔ 059	R: 100–0% G: 100% B: 0% A: 0% W: 0%
		060 ⇔ 084	R: 0% G: 100% B: 0–100% A: 0% W: 0%
		084 ⇔ 109	R: 0% G: 100–0% B: 100% A: 0% W: 0%
		110 ⇔ 134	R: 0–100% G: 0% B: 100% A: 0% W: 0%
		134 ⇔ 159	R: 100% G: 0% B: 100–0% A: 0% W: 0%
		160 ⇔ 184	R: 100% G: 0–100% B: 0–100% A: 0% W: 0%
		184 ⇔ 209	R: 100–0% G: 100–0% B: 100% A: 0% W: 0%
210 ⇔ 255	R: 100% G: 100% B: 100% A: 100% W: 100%		
17	Color Temperatures 2	000 ⇔ 010	No function
		011 ⇔ 028	White 1
		029 ⇔ 046	White 2
		047 ⇔ 064	White 3
		065 ⇔ 082	White 4
		083 ⇔ 100	White 5
		101 ⇔ 118	White 6
		119 ⇔ 136	White 7
		137 ⇔ 154	White 8
		155 ⇔ 172	White 9
		173 ⇔ 190	White 10
		191 ⇔ 208	White 11
		209 ⇔ 226	White 12
		227 ⇔ 244	White 13
245 ⇔ 255	White 14		
18	Strobe 2	000 ⇔ 009	No function
		010 ⇔ 099	Strobe, slow to fast
		100 ⇔ 109	No function
		110 ⇔ 179	Pulse strobe, slow to fast
		180 ⇔ 189	No function
		190 ⇔ 255	Random strobe, slow to fast
19	Red 3	000 ⇔ 255	0–100%
20	Green 3	000 ⇔ 255	0–100%
21	Blue 3	000 ⇔ 255	0–100%
22	Amber 3	000 ⇔ 255	0–100%
23	White 3	000 ⇔ 255	0–100%
24	Color Macros 3	000 ⇔ 010	No function
		011 ⇔ 034	R: 100% G: 0–100% B: 0% A: 0% W: 0%
		035 ⇔ 059	R: 100–0% G: 100% B: 0% A: 0% W: 0%
		060 ⇔ 084	R: 0% G: 100% B: 0–100% A: 0% W: 0%
		084 ⇔ 109	R: 0% G: 100–0% B: 100% A: 0% W: 0%
		110 ⇔ 134	R: 0–100% G: 0% B: 100% A: 0% W: 0%
		134 ⇔ 159	R: 100% G: 0% B: 100–0% A: 0% W: 0%
		160 ⇔ 184	R: 100% G: 0–100% B: 0–100% A: 0% W: 0%
		184 ⇔ 209	R: 100–0% G: 100–0% B: 100% A: 0% W: 0%
210 ⇔ 255	R: 100% G: 100% B: 100% A: 100% W: 100%		

QUICK REFERENCE GUIDE



EN

Channel	Function	Value	Percent/Setting
25	Color Temperatures 3	000 ⇔ 010	No function
		011 ⇔ 028	White 1
		029 ⇔ 046	White 2
		047 ⇔ 064	White 3
		065 ⇔ 082	White 4
		083 ⇔ 100	White 5
		101 ⇔ 118	White 6
		119 ⇔ 136	White 7
		137 ⇔ 154	White 8
		155 ⇔ 172	White 9
		173 ⇔ 190	White 10
		191 ⇔ 208	White 11
		209 ⇔ 226	White 12
		227 ⇔ 244	White 13
245 ⇔ 255	White 14		
26	Strobe 3	000 ⇔ 009	No function
		010 ⇔ 099	Strobe, slow to fast
		100 ⇔ 109	No function
		110 ⇔ 179	Pulse strobe, slow to fast
		180 ⇔ 189	No function
		190 ⇔ 255	Random strobe, slow to fast
27	Strobe All	000 ⇔ 009	No function
		010 ⇔ 099	Strobe, slow to fast
		100 ⇔ 109	No function
		110 ⇔ 179	Pulse strobe, slow to fast
		180 ⇔ 189	No function
		190 ⇔ 255	Random strobe, slow to fast

3 RGBAW (15 Channels)

Channel	Function	Value	Percent/Setting
1	Red 1	000 ⇔ 255	0–100%
2	Green 1	000 ⇔ 255	0–100%
3	Blue 1	000 ⇔ 255	0–100%
4	Amber 1	000 ⇔ 255	0–100%
5	White 1	000 ⇔ 255	0–100%
6	Red 2	000 ⇔ 255	0–100%
7	Green 2	000 ⇔ 255	0–100%
8	Blue 2	000 ⇔ 255	0–100%
9	Amber 2	000 ⇔ 255	0–100%
10	White 2	000 ⇔ 255	0–100%
11	Red 3	000 ⇔ 255	0–100%
12	Green 3	000 ⇔ 255	0–100%
13	Blue 3	000 ⇔ 255	0–100%
14	Amber 3	000 ⇔ 255	0–100%
15	White 3	000 ⇔ 255	0–100%

3 RGBA EXT (24 Channels)

Channel	Function	Value	Percent/Setting
1	Dimmer	000 ⇔ 255	0–100%
2	Fine Dimmer	000 ⇔ 255	0–100%
3	Red 1	000 ⇔ 255	0–100%
4	Green 1	000 ⇔ 255	0–100%
5	Blue 1	000 ⇔ 255	0–100%
6	Amber 1	000 ⇔ 255	0–100%

Channel	Function	Value	Percent/Setting
7	Color Macros 1	000 ⇔ 010	No function
		011 ⇔ 034	R: 100% G: 0–100% B: 0% A: 0% W: 0%
		035 ⇔ 059	R: 100–0% G: 100% B: 0% A: 0% W: 0%
		060 ⇔ 084	R: 0% G: 100% B: 0–100% A: 0% W: 0%
		084 ⇔ 109	R: 0% G: 100–0% B: 100% A: 0% W: 0%
		110 ⇔ 134	R: 0–100% G: 0% B: 100% A: 0% W: 0%
		134 ⇔ 159	R: 100% G: 0% B: 100–0% A: 0% W: 0%
		160 ⇔ 184	R: 100% G: 0–100% B: 0–100% A: 0% W: 0%
		184 ⇔ 209	R: 100–0% G: 100–0% B: 100% A: 0% W: 0%
		210 ⇔ 255	R: 100% G: 100% B: 100% A: 100% W: 100%
8	Color Temperatures 1	000 ⇔ 010	No function
		011 ⇔ 028	White 1
		029 ⇔ 046	White 2
		047 ⇔ 064	White 3
		065 ⇔ 082	White 4
		083 ⇔ 100	White 5
		101 ⇔ 118	White 6
		119 ⇔ 136	White 7
		137 ⇔ 154	White 8
		155 ⇔ 172	White 9
		173 ⇔ 190	White 10
		191 ⇔ 208	White 11
		209 ⇔ 226	White 12
		227 ⇔ 244	White 13
245 ⇔ 255	White 14		
9	Strobe 1	000 ⇔ 009	No function
		010 ⇔ 099	Strobe, slow to fast
		100 ⇔ 109	No function
		110 ⇔ 179	Pulse strobe, slow to fast
		180 ⇔ 189	No function
		190 ⇔ 255	Random strobe, slow to fast
10	Red 2	000 ⇔ 255	0–100%
11	Green 2	000 ⇔ 255	0–100%
12	Blue 2	000 ⇔ 255	0–100%
13	Amber 2	000 ⇔ 255	0–100%
14	Color Macros 2	000 ⇔ 010	No function
		011 ⇔ 034	R: 100% G: 0–100% B: 0% A: 0% W: 0%
		035 ⇔ 059	R: 100–0% G: 100% B: 0% A: 0% W: 0%
		060 ⇔ 084	R: 0% G: 100% B: 0–100% A: 0% W: 0%
		084 ⇔ 109	R: 0% G: 100–0% B: 100% A: 0% W: 0%
		110 ⇔ 134	R: 0–100% G: 0% B: 100% A: 0% W: 0%
		134 ⇔ 159	R: 100% G: 0% B: 100–0% A: 0% W: 0%
		160 ⇔ 184	R: 100% G: 0–100% B: 0–100% A: 0% W: 0%
		184 ⇔ 209	R: 100–0% G: 100–0% B: 100% A: 0% W: 0%
		210 ⇔ 255	R: 100% G: 100% B: 100% A: 100% W: 100%

QUICK REFERENCE GUIDE



EN

Channel	Function	Value	Percent/Setting
15	Color Temperatures 2	000 ⇄ 010	No function
		011 ⇄ 028	White 1
		029 ⇄ 046	White 2
		047 ⇄ 064	White 3
		065 ⇄ 082	White 4
		083 ⇄ 100	White 5
		101 ⇄ 118	White 6
		119 ⇄ 136	White 7
		137 ⇄ 154	White 8
		155 ⇄ 172	White 9
		173 ⇄ 190	White 10
		191 ⇄ 208	White 11
		209 ⇄ 226	White 12
		227 ⇄ 244	White 13
245 ⇄ 255	White 14		
16	Strobe 2	000 ⇄ 009	No function
		010 ⇄ 099	Strobe, slow to fast
		100 ⇄ 109	No function
		110 ⇄ 179	Pulse strobe, slow to fast
		180 ⇄ 189	No function
		190 ⇄ 255	Random strobe, slow to fast
17	Red 3	000 ⇄ 255	0–100%
18	Green 3	000 ⇄ 255	0–100%
19	Blue 3	000 ⇄ 255	0–100%
20	Amber 3	000 ⇄ 255	0–100%
21	Color Macros 3	000 ⇄ 010	No function
		011 ⇄ 034	R: 100% G: 0–100% B: 0% A: 0% W: 0%
		035 ⇄ 059	R: 100–0% G: 100% B: 0% A: 0% W: 0%
		060 ⇄ 084	R: 0% G: 100% B: 0–100% A: 0% W: 0%
		084 ⇄ 109	R: 0% G: 100–0% B: 100% A: 0% W: 0%
		110 ⇄ 134	R: 0–100% G: 0% B: 100% A: 0% W: 0%
		134 ⇄ 159	R: 100% G: 0% B: 100–0% A: 0% W: 0%
		160 ⇄ 184	R: 100% G: 0–100% B: 0–100% A: 0% W: 0%
		184 ⇄ 209	R: 100–0% G: 100–0% B: 100% A: 0% W: 0%
		210 ⇄ 255	R: 100% G: 100% B: 100% A: 100% W: 100%
22	Color Temperatures 3	000 ⇄ 010	No function
		011 ⇄ 028	White 1
		029 ⇄ 046	White 2
		047 ⇄ 064	White 3
		065 ⇄ 082	White 4
		083 ⇄ 100	White 5
		101 ⇄ 118	White 6
		119 ⇄ 136	White 7
		137 ⇄ 154	White 8
		155 ⇄ 172	White 9
		173 ⇄ 190	White 10
		191 ⇄ 208	White 11
		209 ⇄ 226	White 12
		227 ⇄ 244	White 13
245 ⇄ 255	White 14		

Channel	Function	Value	Percent/Setting
23	Strobe 3	000 ⇔ 009	No function
		010 ⇔ 099	Strobe, slow to fast
		100 ⇔ 109	No function
		110 ⇔ 179	Pulse strobe, slow to fast
		180 ⇔ 189	No function
		190 ⇔ 255	Random strobe, slow to fast
24	Strobe All	000 ⇔ 009	No function
		010 ⇔ 099	Strobe, slow to fast
		100 ⇔ 109	No function
		110 ⇔ 179	Pulse strobe, slow to fast
		180 ⇔ 189	No function
		190 ⇔ 255	Random strobe, slow to fast

3 RGBA (12 Channels)

Channel	Function	Value	Percent/Setting
1	Red 1	000 ⇔ 255	0–100%
2	Green 1	000 ⇔ 255	0–100%
3	Blue 1	000 ⇔ 255	0–100%
4	Amber 1	000 ⇔ 255	0–100%
5	Red 2	000 ⇔ 255	0–100%
6	Green 2	000 ⇔ 255	0–100%
7	Blue 2	000 ⇔ 255	0–100%
8	Amber 2	000 ⇔ 255	0–100%
9	Red 3	000 ⇔ 255	0–100%
10	Green 3	000 ⇔ 255	0–100%
11	Blue 3	000 ⇔ 255	0–100%
12	Amber 3	000 ⇔ 255	0–100%

3 RGB EXT (21 Channels)

Channel	Function	Value	Percent/Setting
1	Dimmer	000 ⇔ 255	0–100%
2	Fine Dimmer	000 ⇔ 255	0–100%
3	Red 1	000 ⇔ 255	0–100%
4	Green 1	000 ⇔ 255	0–100%
5	Blue 1	000 ⇔ 255	0–100%
6	Color Macros 1	000 ⇔ 010	No function
		011 ⇔ 034	R: 100% G: 0–100% B: 0% A: 0% W: 0%
		035 ⇔ 059	R: 100–0% G: 100% B: 0% A: 0% W: 0%
		060 ⇔ 084	R: 0% G: 100% B: 0–100% A: 0% W: 0%
		084 ⇔ 109	R: 0% G: 100–0% B: 100% A: 0% W: 0%
		110 ⇔ 134	R: 0–100% G: 0% B: 100% A: 0% W: 0%
		134 ⇔ 159	R: 100% G: 0% B: 100–0% A: 0% W: 0%
		160 ⇔ 184	R: 100% G: 0–100% B: 0–100% A: 0% W: 0%
		184 ⇔ 209	R: 100–0% G: 100–0% B: 100% A: 0% W: 0%
210 ⇔ 255	R: 100% G: 100% B: 100% A: 100% W: 100%		

QUICK REFERENCE GUIDE



EN

Channel	Function	Value	Percent/Setting
7	Color Temperatures 1	000 ⇄ 010	No function
		011 ⇄ 028	White 1
		029 ⇄ 046	White 2
		047 ⇄ 064	White 3
		065 ⇄ 082	White 4
		083 ⇄ 100	White 5
		101 ⇄ 118	White 6
		119 ⇄ 136	White 7
		137 ⇄ 154	White 8
		155 ⇄ 172	White 9
		173 ⇄ 190	White 10
		191 ⇄ 208	White 11
		209 ⇄ 226	White 12
		227 ⇄ 244	White 13
245 ⇄ 255	White 14		
8	Strobe 1	000 ⇄ 009	No function
		010 ⇄ 099	Strobe, slow to fast
		100 ⇄ 109	No function
		110 ⇄ 179	Pulse strobe, slow to fast
		180 ⇄ 189	No function
		190 ⇄ 255	Random strobe, slow to fast
9	Red 2	000 ⇄ 255	0–100%
10	Green 2	000 ⇄ 255	0–100%
11	Blue 2	000 ⇄ 255	0–100%
12	Color Macros 2	000 ⇄ 010	No function
		011 ⇄ 034	R: 100% G: 0–100% B: 0% A: 0% W: 0%
		035 ⇄ 059	R: 100–0% G: 100% B: 0% A: 0% W: 0%
		060 ⇄ 084	R: 0% G: 100% B: 0–100% A: 0% W: 0%
		084 ⇄ 109	R: 0% G: 100–0% B: 100% A: 0% W: 0%
		110 ⇄ 134	R: 0–100% G: 0% B: 100% A: 0% W: 0%
		134 ⇄ 159	R: 100% G: 0% B: 100–0% A: 0% W: 0%
		160 ⇄ 184	R: 100% G: 0–100% B: 0–100% A: 0% W: 0%
		184 ⇄ 209	R: 100–0% G: 100–0% B: 100% A: 0% W: 0%
		210 ⇄ 255	R: 100% G: 100% B: 100% A: 100% W: 100%
13	Color Temperatures 2	000 ⇄ 010	No function
		011 ⇄ 028	White 1
		029 ⇄ 046	White 2
		047 ⇄ 064	White 3
		065 ⇄ 082	White 4
		083 ⇄ 100	White 5
		101 ⇄ 118	White 6
		119 ⇄ 136	White 7
		137 ⇄ 154	White 8
		155 ⇄ 172	White 9
		173 ⇄ 190	White 10
		191 ⇄ 208	White 11
		209 ⇄ 226	White 12
		227 ⇄ 244	White 13
245 ⇄ 255	White 14		
14	Strobe 2	000 ⇄ 009	No function
		010 ⇄ 099	Strobe, slow to fast
		100 ⇄ 109	No function
		110 ⇄ 179	Pulse strobe, slow to fast
		180 ⇄ 189	No function
		190 ⇄ 255	Random strobe, slow to fast

Channel	Function	Value	Percent/Setting
15	Red 3	000 ⇔ 255	0–100%
16	Green 3	000 ⇔ 255	0–100%
17	Blue 3	000 ⇔ 255	0–100%
18	Color Macros 3	000 ⇔ 010	No function
		011 ⇔ 034	R: 100% G: 0–100% B: 0% A: 0% W: 0%
		035 ⇔ 059	R: 100–0% G: 100% B: 0% A: 0% W: 0%
		060 ⇔ 084	R: 0% G: 100% B: 0–100% A: 0% W: 0%
		084 ⇔ 109	R: 0% G: 100–0% B: 100% A: 0% W: 0%
		110 ⇔ 134	R: 0–100% G: 0% B: 100% A: 0% W: 0%
		134 ⇔ 159	R: 100% G: 0% B: 100–0% A: 0% W: 0%
		160 ⇔ 184	R: 100% G: 0–100% B: 0–100% A: 0% W: 0%
		184 ⇔ 209	R: 100–0% G: 100–0% B: 100% A: 0% W: 0%
210 ⇔ 255	R: 100% G: 100% B: 100% A: 100% W: 100%		
19	Color Temperatures 3	000 ⇔ 010	No function
		011 ⇔ 028	White 1
		029 ⇔ 046	White 2
		047 ⇔ 064	White 3
		065 ⇔ 082	White 4
		083 ⇔ 100	White 5
		101 ⇔ 118	White 6
		119 ⇔ 136	White 7
		137 ⇔ 154	White 8
		155 ⇔ 172	White 9
		173 ⇔ 190	White 10
		191 ⇔ 208	White 11
		209 ⇔ 226	White 12
		227 ⇔ 244	White 13
245 ⇔ 255	White 14		
20	Strobe 3	000 ⇔ 009	No function
		010 ⇔ 099	Strobe, slow to fast
		100 ⇔ 109	No function
		110 ⇔ 179	Pulse strobe, slow to fast
		180 ⇔ 189	No function
		190 ⇔ 255	Random strobe, slow to fast
21	Strobe All	000 ⇔ 009	No function
		010 ⇔ 099	Strobe, slow to fast
		100 ⇔ 109	No function
		110 ⇔ 179	Pulse strobe, slow to fast
		180 ⇔ 189	No function
		190 ⇔ 255	Random strobe, slow to fast

3 RGB (9 Channels)

Channel	Function	Value	Percent/Setting
1	Red 1	000 ⇔ 255	0–100%
2	Green 1	000 ⇔ 255	0–100%
3	Blue 1	000 ⇔ 255	0–100%
4	Red 2	000 ⇔ 255	0–100%
5	Green 2	000 ⇔ 255	0–100%
6	Blue 2	000 ⇔ 255	0–100%
7	Red 3	000 ⇔ 255	0–100%
8	Green 3	000 ⇔ 255	0–100%
9	Blue 3	000 ⇔ 255	0–100%

QUICK REFERENCE GUIDE



EN

1-Cell DMX Values

1 HSIC (8 Channels)

Channel	Function	Value	Percent/Setting
1	Dimmer	000 ⇔ 255	0–100%
2	Hue	000 ⇔ 255	0–100%
3	Fine Hue	000 ⇔ 255	0–100%
4	Saturation	000 ⇔ 255	0–100%
5	Strobe	000 ⇔ 009	No function
		010 ⇔ 099	Strobe, slow to fast
		100 ⇔ 109	No function
		110 ⇔ 179	Pulse strobe, slow to fast
		180 ⇔ 189	No function
		190 ⇔ 255	Random strobe, slow to fast
6	Color Macros	000 ⇔ 010	No function
		011 ⇔ 034	R: 100% G: 0–100% B: 0% A: 0% W: 0%
		035 ⇔ 059	R: 100–0% G: 100% B: 0% A: 0% W: 0%
		060 ⇔ 084	R: 0% G: 100% B: 0–100% A: 0% W: 0%
		084 ⇔ 109	R: 0% G: 100–0% B: 100% A: 0% W: 0%
		110 ⇔ 134	R: 0–100% G: 0% B: 100% A: 0% W: 0%
		134 ⇔ 159	R: 100% G: 0% B: 100–0% A: 0% W: 0%
		160 ⇔ 184	R: 100% G: 0–100% B: 0–100% A: 0% W: 0%
		184 ⇔ 209	R: 100–0% G: 100–0% B: 100% A: 0% W: 0%
210 ⇔ 255	R: 100% G: 100% B: 100% A: 100% W: 100%		
7	Color Temperatures	000 ⇔ 010	No function
		011 ⇔ 028	White 1
		029 ⇔ 046	White 2
		047 ⇔ 064	White 3
		065 ⇔ 082	White 4
		083 ⇔ 100	White 5
		101 ⇔ 118	White 6
		119 ⇔ 136	White 7
		137 ⇔ 154	White 8
		155 ⇔ 172	White 9
		173 ⇔ 190	White 10
		191 ⇔ 208	White 11
		209 ⇔ 226	White 12
		227 ⇔ 244	White 13
245 ⇔ 255	White 14		
8	Dimmer Speed	000 ⇔ 009	Preset dimmer speed from display menu
		010 ⇔ 029	Dimmer speed mode off
		030 ⇔ 069	Dimmer speed mode 1 (fastest)
		070 ⇔ 129	Dimmer speed mode 2
		130 ⇔ 189	Dimmer speed mode 3
		190 ⇔ 255	Dimmer speed mode 4 (slowest)

1 RGBAW FUL (16 Channels)

Channel	Function	Value	Percent/Setting
1	Dimmer	000 ⇔ 255	0–100%
2	Fine Dimmer	000 ⇔ 255	0–100%
3	Red	000 ⇔ 255	0–100%
4	Fine Red	000 ⇔ 255	0–100%
5	Green	000 ⇔ 255	0–100%
6	Fine Green	000 ⇔ 255	0–100%
7	Blue	000 ⇔ 255	0–100%
8	Fine Blue	000 ⇔ 255	0–100%

Channel	Function	Value	Percent/Setting
9	Amber	000 ⇔ 255	0–100%
10	Fine Amber	000 ⇔ 255	0–100%
11	White	000 ⇔ 255	0–100%
12	Fine White	000 ⇔ 255	0–100%
13	Color Macros	000 ⇔ 010	No function
		011 ⇔ 034	R: 100% G: 0–100% B: 0% A: 0% W: 0%
		035 ⇔ 059	R: 100–0% G: 100% B: 0% A: 0% W: 0%
		060 ⇔ 084	R: 0% G: 100% B: 0–100% A: 0% W: 0%
		084 ⇔ 109	R: 0% G: 100–0% B: 100% A: 0% W: 0%
		110 ⇔ 134	R: 0–100% G: 0% B: 100% A: 0% W: 0%
		134 ⇔ 159	R: 100% G: 0% B: 100–0% A: 0% W: 0%
		160 ⇔ 184	R: 100% G: 0–100% B: 0–100% A: 0% W: 0%
		184 ⇔ 209	R: 100–0% G: 100–0% B: 100% A: 0% W: 0%
210 ⇔ 255	R: 100% G: 100% B: 100% A: 100% W: 100%		
14	Color Temperatures	000 ⇔ 010	No function
		011 ⇔ 028	White 1
		029 ⇔ 046	White 2
		047 ⇔ 064	White 3
		065 ⇔ 082	White 4
		083 ⇔ 100	White 5
		101 ⇔ 118	White 6
		119 ⇔ 136	White 7
		137 ⇔ 154	White 8
		155 ⇔ 172	White 9
		173 ⇔ 190	White 10
		191 ⇔ 208	White 11
		209 ⇔ 226	White 12
		227 ⇔ 244	White 13
245 ⇔ 255	White 14		
15	Strobe	000 ⇔ 009	No function
		010 ⇔ 099	Strobe, slow to fast
		100 ⇔ 109	No function
		110 ⇔ 179	Pulse strobe, slow to fast
		180 ⇔ 189	No function
		190 ⇔ 255	Random strobe, slow to fast
16	Dimmer Speed	000 ⇔ 009	Preset dimmer speed from display menu
		010 ⇔ 029	Dimmer speed mode off
		030 ⇔ 069	Dimmer speed mode 1 (fastest)
		070 ⇔ 129	Dimmer speed mode 2
		130 ⇔ 189	Dimmer speed mode 3
		190 ⇔ 255	Dimmer speed mode 4 (slowest)

1 RGBAW FIN (10 Channels)

Channel	Function	Value	Percent/Setting
1	Red	000 ⇔ 255	0–100%
2	Fine Red	000 ⇔ 255	0–100%
3	Green	000 ⇔ 255	0–100%
4	Fine Green	000 ⇔ 255	0–100%
5	Blue	000 ⇔ 255	0–100%
6	Fine Blue	000 ⇔ 255	0–100%
7	Amber	000 ⇔ 255	0–100%
8	Fine Amber	000 ⇔ 255	0–100%
9	White	000 ⇔ 255	0–100%
10	Fine White	000 ⇔ 255	0–100%

1 RGBAW EXT (10 Channels)

Channel	Function	Value	Percent/Setting
1	Dimmer	000 ⇔ 255	0–100%
2	Fine Dimmer	000 ⇔ 255	0–100%
3	Red	000 ⇔ 255	0–100%
4	Green	000 ⇔ 255	0–100%
5	Blue	000 ⇔ 255	0–100%
6	Amber	000 ⇔ 255	0–100%
7	White	000 ⇔ 255	0–100%
8	Color Macros	000 ⇔ 010	No function
		011 ⇔ 034	R: 100% G: 0–100% B: 0% A: 0% W: 0%
		035 ⇔ 059	R: 100–0% G: 100% B: 0% A: 0% W: 0%
		060 ⇔ 084	R: 0% G: 100% B: 0–100% A: 0% W: 0%
		084 ⇔ 109	R: 0% G: 100–0% B: 100% A: 0% W: 0%
		110 ⇔ 134	R: 0–100% G: 0% B: 100% A: 0% W: 0%
		134 ⇔ 159	R: 100% G: 0% B: 100–0% A: 0% W: 0%
		160 ⇔ 184	R: 100% G: 0–100% B: 0–100% A: 0% W: 0%
		184 ⇔ 209	R: 100–0% G: 100–0% B: 100% A: 0% W: 0%
210 ⇔ 255	R: 100% G: 100% B: 100% A: 100% W: 100%		
9	Color Temperatures	000 ⇔ 010	No function
		011 ⇔ 028	White 1
		029 ⇔ 046	White 2
		047 ⇔ 064	White 3
		065 ⇔ 082	White 4
		083 ⇔ 100	White 5
		101 ⇔ 118	White 6
		119 ⇔ 136	White 7
		137 ⇔ 154	White 8
		155 ⇔ 172	White 9
		173 ⇔ 190	White 10
		191 ⇔ 208	White 11
		209 ⇔ 226	White 12
		227 ⇔ 244	White 13
245 ⇔ 255	White 14		
10	Strobe	000 ⇔ 009	No function
		010 ⇔ 099	Strobe, slow to fast
		100 ⇔ 109	No function
		110 ⇔ 179	Pulse strobe, slow to fast
		180 ⇔ 189	No function
		190 ⇔ 255	Random strobe, slow to fast

1 RGBAW (5 Channels)

Channel	Function	Value	Percent/Setting
1	Red	000 ⇔ 255	0–100%
2	Green	000 ⇔ 255	0–100%
3	Blue	000 ⇔ 255	0–100%
4	Amber	000 ⇔ 255	0–100%
5	White	000 ⇔ 255	0–100%

1 RGBA EXT (9 Channels)

Channel	Function	Value	Percent/Setting
1	Dimmer	000 ⇔ 255	0–100%
2	Fine Dimmer	000 ⇔ 255	0–100%
3	Red	000 ⇔ 255	0–100%
4	Green	000 ⇔ 255	0–100%

Channel	Function	Value	Percent/Setting
5	Blue	000 ⇔ 255	0–100%
6	Amber	000 ⇔ 255	0–100%
7	Color Macros	000 ⇔ 010	No function
		011 ⇔ 034	R: 100% G: 0–100% B: 0% A: 0% W: 0%
		035 ⇔ 059	R: 100–0% G: 100% B: 0% A: 0% W: 0%
		060 ⇔ 084	R: 0% G: 100% B: 0–100% A: 0% W: 0%
		084 ⇔ 109	R: 0% G: 100–0% B: 100% A: 0% W: 0%
		110 ⇔ 134	R: 0–100% G: 0% B: 100% A: 0% W: 0%
		134 ⇔ 159	R: 100% G: 0% B: 100–0% A: 0% W: 0%
		160 ⇔ 184	R: 100% G: 0–100% B: 0–100% A: 0% W: 0%
		184 ⇔ 209	R: 100–0% G: 100–0% B: 100% A: 0% W: 0%
		210 ⇔ 255	R: 100% G: 100% B: 100% A: 100% W: 100%
8	Color Temperatures	000 ⇔ 010	No function
		011 ⇔ 028	White 1
		029 ⇔ 046	White 2
		047 ⇔ 064	White 3
		065 ⇔ 082	White 4
		083 ⇔ 100	White 5
		101 ⇔ 118	White 6
		119 ⇔ 136	White 7
		137 ⇔ 154	White 8
		155 ⇔ 172	White 9
		173 ⇔ 190	White 10
		191 ⇔ 208	White 11
		209 ⇔ 226	White 12
		227 ⇔ 244	White 13
245 ⇔ 255	White 14		
9	Strobe	000 ⇔ 009	No function
		010 ⇔ 099	Strobe, slow to fast
		100 ⇔ 109	No function
		110 ⇔ 179	Pulse strobe, slow to fast
		180 ⇔ 189	No function
		190 ⇔ 255	Random strobe, slow to fast

1 RGBA (4 Channels)

Channel	Function	Value	Percent/Setting
1	Red	000 ⇔ 255	0–100%
2	Green	000 ⇔ 255	0–100%
3	Blue	000 ⇔ 255	0–100%
4	Amber	000 ⇔ 255	0–100%

1 RGB EXT (8 Channels)

Channel	Function	Value	Percent/Setting
1	Dimmer	000 ⇔ 255	0–100%
2	Fine Dimmer	000 ⇔ 255	0–100%
3	Red	000 ⇔ 255	0–100%
4	Green	000 ⇔ 255	0–100%
5	Blue	000 ⇔ 255	0–100%

QUICK REFERENCE GUIDE



EN

Channel	Function	Value	Percent/Setting
6	Color Macros	000 ⇔ 010	No function
		011 ⇔ 034	R: 100% G: 0–100% B: 0% A: 0% W: 0%
		035 ⇔ 059	R: 100–0% G: 100% B: 0% A: 0% W: 0%
		060 ⇔ 084	R: 0% G: 100% B: 0–100% A: 0% W: 0%
		084 ⇔ 109	R: 0% G: 100–0% B: 100% A: 0% W: 0%
		110 ⇔ 134	R: 0–100% G: 0% B: 100% A: 0% W: 0%
		134 ⇔ 159	R: 100% G: 0% B: 100–0% A: 0% W: 0%
		160 ⇔ 184	R: 100% G: 0–100% B: 0–100% A: 0% W: 0%
		184 ⇔ 209	R: 100–0% G: 100–0% B: 100% A: 0% W: 0%
		210 ⇔ 255	R: 100% G: 100% B: 100% A: 100% W: 100%
7	Color Temperatures	000 ⇔ 010	No function
		011 ⇔ 028	White 1
		029 ⇔ 046	White 2
		047 ⇔ 064	White 3
		065 ⇔ 082	White 4
		083 ⇔ 100	White 5
		101 ⇔ 118	White 6
		119 ⇔ 136	White 7
		137 ⇔ 154	White 8
		155 ⇔ 172	White 9
		173 ⇔ 190	White 10
		191 ⇔ 208	White 11
		209 ⇔ 226	White 12
		227 ⇔ 244	White 13
		245 ⇔ 255	White 14
8	Strobe	000 ⇔ 009	No function
		010 ⇔ 099	Strobe, slow to fast
		100 ⇔ 109	No function
		110 ⇔ 179	Pulse strobe, slow to fast
		180 ⇔ 189	No function
		190 ⇔ 255	Random strobe, slow to fast

1 RGB (3 Channels)

Channel	Function	Value	Percent/Setting
1	Red	000 ⇔ 255	0–100%
2	Green	000 ⇔ 255	0–100%
3	Blue	000 ⇔ 255	0–100%

Acerca de Esta Guía

La Guía de Referencia Rápida (GRR) del COLORado Batten 72X contiene información básica sobre el producto, como montaje, opciones de menú y valores DMX. Descargue el Manual de Usuario de www.chauvetprofessional.com para información más detallada.

Exención de Responsabilidad

La información y especificaciones contenidas en esta GRR están sujetas a cambio sin previo aviso.

GARANTÍA LIMITADA

PARA VER EL REGISTRO DE GARANTÍA Y LOS TÉRMINOS Y CONDICIONES COMPLETOS, VISITE NUESTRO SITIO WEB.

Para clientes en los Estados Unidos y México: www.chauvetlighting.com/warranty-registration.

Para clientes en Reino Unido, República de Irlanda, Bélgica, Países Bajos, Luxemburgo, Francia y Alemania: www.chauvetlighting.eu/warranty-registration.

Chauvet garantiza que este producto estará libre de defectos de material y mano de obra en condiciones de uso normales, durante el periodo especificado, sujeto siempre a las exclusiones y limitaciones establecidas en la garantía limitada completa de nuestro sitio web. Esta garantía se concede únicamente al comprador original del producto y no es transferible. Para ejercer los derechos que otorga esta garantía, usted debe proporcionar una prueba de compra en forma de un recibo de compra original, expedido por un distribuidor autorizado, donde figure el nombre del producto y la fecha de compra. **NO EXISTEN OTRAS GARANTÍAS EXPRESAS NI IMPLÍCITAS.** Esta garantía le otorga derechos legales específicos. Es posible que a usted le asistan otros derechos, que variarán dependiendo del estado o del país. Esta garantía solamente es válida en los Estados Unidos, Reino Unido, República de Irlanda, Bélgica, Países Bajos, Luxemburgo, Francia, Alemania y México. Para conocer los términos de garantía en otros países, consulte a su distribuidor local.

Notas de Seguridad

- NO abra este producto. No contiene piezas reparables por el usuario.
- Para evitar un desgaste innecesario y alargar su vida útil, desconecte complemente el producto de la alimentación, mediante el interruptor o desenchufándolo, durante los periodos en los que no se use.
- NO mire a la fuente de luz cuando el producto esté encendido.
- CUIDADO: La carcasa de este producto está caliente cuando las luces están en funcionamiento.
- Monte este producto en una ubicación con ventilación adecuada, al menos a 20" (50 cm) de superficies adyacentes.
- NO deje ningún material inflamable a menos de 50 cm de este producto mientras esté funcionando o conectado a la alimentación.
- Cuidado: cuando transfiera el producto desde ambientes con temperatura extrema (p. ej., del remolque frío de un camión a una sala de baile con calor y humedad), puede formarse condensación en la electrónica interna del producto. Para evitar que se produzca una avería, deje que el producto se aclimate completamente al ambiente antes de conectar la alimentación.
- No apto para la instalación permanente en exteriores en lugares con condiciones ambientales extremas. Estas incluyen, sin limitarse a ellas:
 - Exposición a un ambiente marino/salino (a menos de 4,8 km de una masa de agua salada).
 - Cuando las temperaturas máxima o mínima habituales del lugar superan los rangos de temperatura en este manual.
 - Lugares proclives a inundaciones o a ser sepultados por la nieve.
 - Otras zonas en las que el producto esté expuesto a radiación extrema o sustancias cáusticas.
- USE un cable de seguridad cuando monte este producto en lo alto.
- NO sumerja este producto (IP65). La operación normal en exteriores es correcta.
- NO ponga en funcionamiento este producto si sospecha que la carcasa, lentes o cables están dañados.
- NO conecte este producto a un atenuador o reostato.
- Conecte este producto SOLO a un circuito con toma de tierra y protegido.
- Use SOLAMENTE los soportes de colgar/montar para mover este producto.
- En caso de un problema grave de funcionamiento, deje de usarlo inmediatamente.
- La máxima temperatura ambiente es de 113 °F (45 °C). No haga funcionar este producto a temperaturas más altas.

Contacto

Fuera de EE. UU., Reino Unido, Irlanda, Benelux, Francia, Alemania o México póngase en contacto con su distribuidor para solicitar asistencia o devolver un producto. Consulte [Contact Us](#) al final de este GRR para información de contacto.

Qué va Incluido

- COLORado Batten 72X con pantalla antirreflectante
- Cable de alimentación Seetronic Powerkon IP65
- Soportes Omega
- Guía de Referencia Rápida

Corriente Alterna

Este producto tiene una fuente de alimentación con detección automática que puede funcionar con un rango de tensión de entrada de 100 a 240 VCA, 50/60 Hz.

Alimentación en Cadena

Puede enlazar hasta 6 productos COLORado Batten 72X a 120 V, 17 productos a 208 V o 19 productos a 230 V. Los cables de alimentación en cadena se pueden adquirir por separado.

Enchufe CA

Conexión	Cable (EE.UU.)	Cable (Europa)	Color del tornillo
CA Cargado	Negro	Marrón	Amarillo/Latón
CA Neutro	Blanco	Azul	Plata
CA Tierra	Verde/Amarillo	Verde/Amarillo	Verde



Para evitar un desgaste innecesario y alargar su vida útil, desconecte completamente el producto de la alimentación, mediante el interruptor o desenchufándolo, durante los periodos en los que no se use.

Enlace DMX

El COLORado Batten 72X funcionará con un controlador DMX usando una conexión serie DMX de 5 pines. Hay un Manual DMX disponible en www.chauvetprofessional.com.

Conexión DMX

El COLORado Batten 72X usa una conexión de datos DMX de 5 pines para sus 18 personalidades de control, que van de 3 canales a 43 canales en modos de 1 celda y modos de 3 celdas:

	RGB	RGB EXT	RGBA	RGBA EXT	RGBAW	RGBAW EXT	RGBAW FIN	RGBAW FUL	HSIC
1 celda	3	8	4	9	5	10	10	16	8
3 celdas	9	21	12	24	15	27	30	43	22

Vea el Manual de Usuario para información sobre cómo conectar y configurar el producto para funcionamiento DMX.

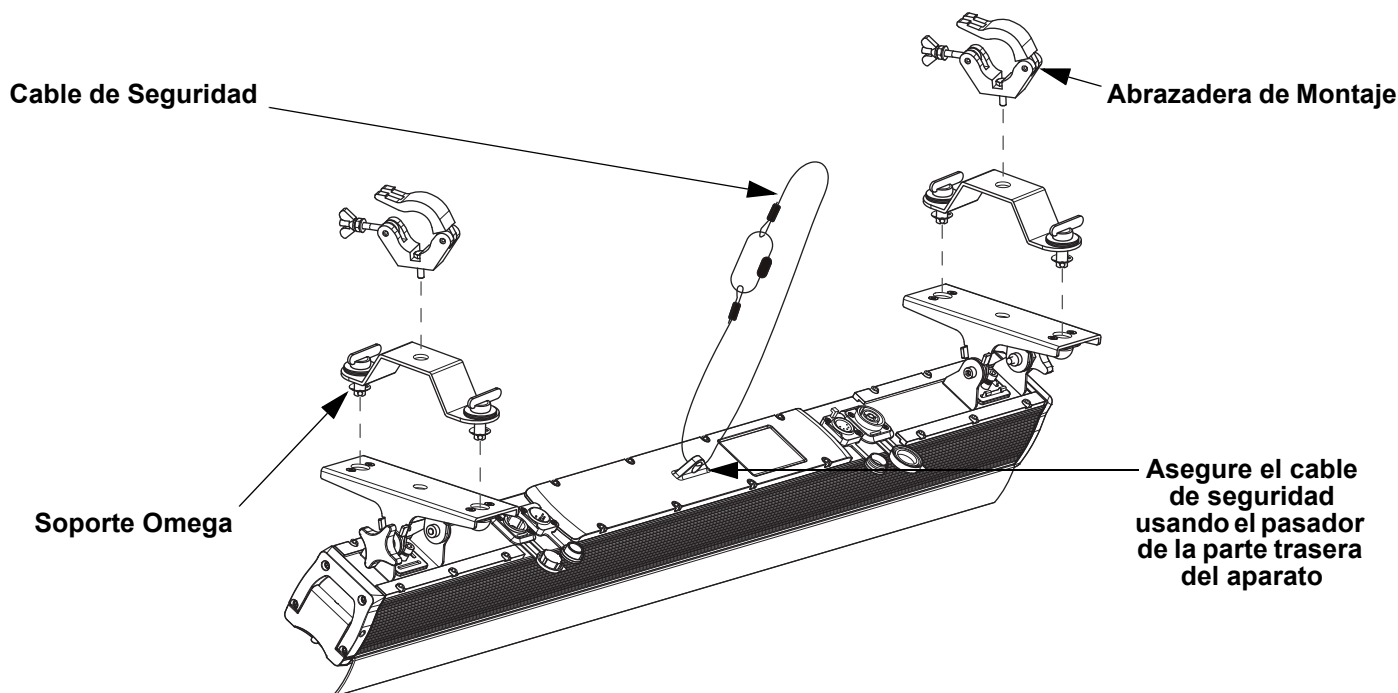
RDM (gestión remota del dispositivo)

Remote Device Management (gestión remota del dispositivo) o RDM, es un estándar que permite a los dispositivos con capacidad DMX una comunicación bidireccional por un cableado DMX existente. El COLORado Batten 72X admite protocolo RDM, que posibilita información para supervisar cambiar las opciones del mapa de menú. Descargue el manual de usuario de www.chauvetprofessional.com para una información más detallada.

Montaje

Antes de montar este producto, lea las [Notas de Seguridad](#). Utilice al menos dos puntos de montaje por producto. Asegúrese de que las abrazaderas de montaje son capaces de soportar el peso del producto. Para nuestra línea Chauvet de abrazaderas de montaje, visite <http://trusst.com/productcategory/truss-clamps/>.

Diagrama de Montaje del Producto



Descripción del Panel de Control

Botón	Función
<MENU>	Sale del menú o función actual
<ENTER>	Habilita el menú actualmente en pantalla o configura el valor seleccionado actualmente dentro de la función seleccionada
<UP>	Navega hacia arriba por la lista de menú o aumenta el valor numérico cuando está en una función
<DOWN>	Navega hacia abajo por la lista de menú o disminuye el valor numérico cuando está en una función

Mapa de Menú

Nivel principal	Niveles de Programación	Descripción
Start Address	1–510*	Selecciona la dirección de inicio (*canal más alto restringido a la elección de personalidad)
Personality	1 RGB	3 canal: RGB
	1 RGB EXT	8 canal: 16 bits atenuador, RGB, macro de color, temperatura de color, estroboscopio
	1 RGBA	4 canal: RGBA
	1 RGBA EXT	9 canal: 16 bits atenuador, RGBA, macro de color, temperatura de color, estroboscopio
	1 RGBAW	5 canal: RGBAW
	1 RGBAW EXT	10 canal: 16 bits atenuador, RGBAW, macro de color, temperatura de color, estroboscopio
	1 RGBAW FIN	10 canal: 16 bits RGBAW
	1 RGBAW FUL	16 canal: 16 bits atenuador, 16 bits RGBAW, macro de color, temperatura de color, estroboscopio, velocidad de atenuador
	1 HSIC	8 canal: atenuador, 16 bits tono, saturación, estroboscopio, macro de color, temperatura de color, velocidad de atenuador
	3 RGB	9 canal (3 celdas): RGB
	3 RGB EXT	21 canal (3 celdas): 16 bits atenuador, RGB, macro de color, temperatura de color, estroboscopio
	3 RGBA	12 canal (3 celdas): RGBA
	3 RGBA EXT	24 canal (3 celdas): 16 bits atenuador, RGBA, macro de color, temperatura de color, estroboscopio
	3 RGBAW	15 canal (3 celdas): RGBAW
	3 RGBAW EXT	27 canal (3 celdas): 16 bits atenuador, RGBAW, macro de color, temperatura de color, estroboscopio
	3 RGBAW FIN	30 canal (3 celdas): 16 bits RGBAW
	3 RGBAW FUL	43 canal (3 celdas): 16 bits atenuador, 16 bits RGBAW, macro de color, temperatura de color, estroboscopio, velocidad de atenuador
	3 HSIC	22 canal (3 celdas): atenuador, 16 bits tono, saturación, estroboscopio, macro de color, temperatura de color, velocidad de atenuador
Output Setting	Power Mode	Evita pasar de la temperatura máxima ajustando la intensidad de salida
	Steady Mode	Utiliza una intensidad mas baja de salida a una tasa constante para evitar pasar de la temperatura máxima
	Legacy Mode	Coincidirá con la intensidad de salida del COLORado Batten 72 Tour

GUÍA DE REFERENCIA RÁPIDA



ES

Nivel principal	Niveles de Programación			Descripción	
Static Colors	Preset Colors	Color 1–14	Dimmer 0–100%	Colores estáticos preestablecidos	
	CCT Temper	White 1–14		Temperaturas de color preestablecidas	
	RGBAW	Red	Red 0–255	Combina rojo, verde, azul, ámbar y blanco para generar un color personalizado	
		Green	Green 0–255		
		Blue	Blue 0–255		
Amber		Amber 0–255			
White	White 0–255				
Auto Programs	Run	AUTO.1–10	Speed 0–100	Selecciona programas automáticos y velocidad de programa	
		Program 1–10			
	Edit	Program 1–10	SCENE-01–30	Red 0–255	Selecciona y edita un programa personalizable
				Green 0–255	
				Blue 0–255	
Amber 0–255					
White 0–255					
Master/Slave	Master			Modo DMX (maestro)	
	Slave			Modo esclavo	
Dimmer Mode	OFF			Atenuador lineal	
	DIM1–4			Curvas de atenuador DIM1 (rápido) a DIM4 (lento)	
LED Frequency	600Hz			Selecciona la frecuencia de emisión PWM	
	1200Hz				
	2000Hz				
	2400Hz				
	4000Hz				
	6000Hz				
	25000Hz				
Cell Order	1 – 3			Establece el orden de las celdas	
	3 – 1				
Setting	**** (introducir contraseña)	DMX Error/ Loss	Hold Last	Continúa con el último comando tras la pérdida de control DMX	
			Blackout	Oscuro el dispositivo tras la pérdida de señal DMX	
		Disp TimeOut	On	Retro-iluminación de la pantalla siempre activa	
			10s	Retro-iluminación de la pantalla se apaga después de 10 segundos de inactividad	
			20s	Retro-iluminación de la pantalla se apaga después de 20 segundos de inactividad	
		Disp Passcode	30s	Retro-iluminación de la pantalla se apaga después de 30 segundos de inactividad	
On	Bloquea la pantalla (la contraseña es <UP>, <DOWN>, <UP>, <DOWN>, <ENTER>)				
Information	Fixture Hours		___ _ _ _ Hours	Muestra el nombre total de las horas del producto	
	Firmware Vers		V_ _	Muestra instalada la versión de firmware	
	RDM	UID	_____	Muestra el UID # del producto	
		LABEL	Batten 72X	Muestra el nombre del producto para RDM	
Factory Reset	No			Reinicia a la configuración de fábrica	
	Yes				

Valores DMX de 3 celdas
3 HSIC (22 canales)

Canal	Función	Valor	Porcentaje/Configuración
1	Atenuador 1	000 ⇔ 255	0–100%
2	Tono 1	000 ⇔ 255	0–100%
3	Tono fino 1	000 ⇔ 255	0–100%
4	Saturación 1	000 ⇔ 255	0–100%
5	Estroboscopia 1	000 ⇔ 009	Sin función
		010 ⇔ 099	Estroboscopia, lento a rápido
		100 ⇔ 109	Sin función
		110 ⇔ 179	Estroboscopia de pulso, lento a rápido
		180 ⇔ 189	Sin función
		190 ⇔ 255	Estroboscopia aleatorio, lento a rápido
6	Macros de color 1	000 ⇔ 010	Sin función
		011 ⇔ 034	R: 100% G: 0–100% B: 0% A: 0% W: 0%
		035 ⇔ 059	R: 100–0% G: 100% B: 0% A: 0% W: 0%
		060 ⇔ 084	R: 0% G: 100% B: 0–100% A: 0% W: 0%
		084 ⇔ 109	R: 0% G: 100–0% B: 100% A: 0% W: 0%
		110 ⇔ 134	R: 0–100% G: 0% B: 100% A: 0% W: 0%
		134 ⇔ 159	R: 100% G: 0% B: 100–0% A: 0% W: 0%
		160 ⇔ 184	R: 100% G: 0–100% B: 0–100% A: 0% W: 0%
		184 ⇔ 209	R: 100–0% G: 100–0% B: 100% A: 0% W: 0%
		210 ⇔ 255	R: 100% G: 100% B: 100% A: 100% W: 100%
7	Temperaturas de color 1	000 ⇔ 010	Sin función
		011 ⇔ 028	Blanco 1
		029 ⇔ 046	Blanco 2
		047 ⇔ 064	Blanco 3
		065 ⇔ 082	Blanco 4
		083 ⇔ 100	Blanco 5
		101 ⇔ 118	Blanco 6
		119 ⇔ 136	Blanco 7
		137 ⇔ 154	Blanco 8
		155 ⇔ 172	Blanco 9
		173 ⇔ 190	Blanco 10
		191 ⇔ 208	Blanco 11
		209 ⇔ 226	Blanco 12
		227 ⇔ 244	Blanco 13
245 ⇔ 255	Blanco 14		
8	Atenuador 2	000 ⇔ 255	0–100%
9	Tono 2	000 ⇔ 255	0–100%
10	Tono fino 2	000 ⇔ 255	0–100%
11	Saturación 2	000 ⇔ 255	0–100%
12	Estroboscopia 2	000 ⇔ 009	Sin función
		010 ⇔ 099	Estroboscopia, lento a rápido
		100 ⇔ 109	Sin función
		110 ⇔ 179	Estroboscopia de pulso, lento a rápido
		180 ⇔ 189	Sin función
		190 ⇔ 255	Estroboscopia aleatorio, lento a rápido

GUÍA DE REFERENCIA RÁPIDA



ES

Canal	Función	Valor	Porcentaje/Configuración
13	Macros de color 2	000 ⇔ 010	Sin función
		011 ⇔ 034	R: 100% G: 0–100% B: 0% A: 0% W: 0%
		035 ⇔ 059	R: 100–0% G: 100% B: 0% A: 0% W: 0%
		060 ⇔ 084	R: 0% G: 100% B: 0–100% A: 0% W: 0%
		084 ⇔ 109	R: 0% G: 100–0% B: 100% A: 0% W: 0%
		110 ⇔ 134	R: 0–100% G: 0% B: 100% A: 0% W: 0%
		134 ⇔ 159	R: 100% G: 0% B: 100–0% A: 0% W: 0%
		160 ⇔ 184	R: 100% G: 0–100% B: 0–100% A: 0% W: 0%
		184 ⇔ 209	R: 100–0% G: 100–0% B: 100% A: 0% W: 0%
		210 ⇔ 255	R: 100% G: 100% B: 100% A: 100% W: 100%
14	Temperaturas de color 2	000 ⇔ 010	Sin función
		011 ⇔ 028	Blanco 1
		029 ⇔ 046	Blanco 2
		047 ⇔ 064	Blanco 3
		065 ⇔ 082	Blanco 4
		083 ⇔ 100	Blanco 5
		101 ⇔ 118	Blanco 6
		119 ⇔ 136	Blanco 7
		137 ⇔ 154	Blanco 8
		155 ⇔ 172	Blanco 9
		173 ⇔ 190	Blanco 10
		191 ⇔ 208	Blanco 11
		209 ⇔ 226	Blanco 12
		227 ⇔ 244	Blanco 13
		245 ⇔ 255	Blanco 14
15	Atenuador 3	000 ⇔ 255	0–100%
16	Tono 3	000 ⇔ 255	0–100%
17	Tono fino 3	000 ⇔ 255	0–100%
18	Saturación 3	000 ⇔ 255	0–100%
19	Estroboscopio 3	000 ⇔ 009	Sin función
		010 ⇔ 099	Estroboscopio, lento a rápido
		100 ⇔ 109	Sin función
		110 ⇔ 179	Estroboscopio de pulso, lento a rápido
		180 ⇔ 189	Sin función
		190 ⇔ 255	Estroboscopio aleatorio, lento a rápido
20	Macros de color 3	000 ⇔ 010	Sin función
		011 ⇔ 034	R: 100% G: 0–100% B: 0% A: 0% W: 0%
		035 ⇔ 059	R: 100–0% G: 100% B: 0% A: 0% W: 0%
		060 ⇔ 084	R: 0% G: 100% B: 0–100% A: 0% W: 0%
		084 ⇔ 109	R: 0% G: 100–0% B: 100% A: 0% W: 0%
		110 ⇔ 134	R: 0–100% G: 0% B: 100% A: 0% W: 0%
		134 ⇔ 159	R: 100% G: 0% B: 100–0% A: 0% W: 0%
		160 ⇔ 184	R: 100% G: 0–100% B: 0–100% A: 0% W: 0%
		184 ⇔ 209	R: 100–0% G: 100–0% B: 100% A: 0% W: 0%
		210 ⇔ 255	R: 100% G: 100% B: 100% A: 100% W: 100%

Canal	Función	Valor	Porcentaje/Configuración
21	Temperaturas de color 3	000 ⇔ 010	Sin función
		011 ⇔ 028	Blanco 1
		029 ⇔ 046	Blanco 2
		047 ⇔ 064	Blanco 3
		065 ⇔ 082	Blanco 4
		083 ⇔ 100	Blanco 5
		101 ⇔ 118	Blanco 6
		119 ⇔ 136	Blanco 7
		137 ⇔ 154	Blanco 8
		155 ⇔ 172	Blanco 9
		173 ⇔ 190	Blanco 10
		191 ⇔ 208	Blanco 11
		209 ⇔ 226	Blanco 12
		227 ⇔ 244	Blanco 13
245 ⇔ 255	Blanco 14		
22	Velocidad de atenuador	000 ⇔ 009	Ajuste de la velocidad del atenuador desde la pantalla
		010 ⇔ 029	Modo velocidad del atenuador desactivado
		030 ⇔ 069	Velocidad de atenuador 1 (rápida)
		070 ⇔ 129	Velocidad de atenuador 2
		130 ⇔ 189	Velocidad de atenuador 3
		190 ⇔ 255	Velocidad de atenuador 4 (lenta)

3 RGBAW FUL (43 canales)

Canal	Función	Valor	Porcentaje/Configuración
1	Atenuador	000 ⇔ 255	0–100%
2	Atenuador fino	000 ⇔ 255	0–100%
3	Rojo 1	000 ⇔ 255	0–100%
4	Rojo fino 1	000 ⇔ 255	0–100%
5	Verde 1	000 ⇔ 255	0–100%
6	Verde fino 1	000 ⇔ 255	0–100%
7	Azul 1	000 ⇔ 255	0–100%
8	Azul fino 1	000 ⇔ 255	0–100%
9	Ámbar 1	000 ⇔ 255	0–100%
10	Ámbar fino 1	000 ⇔ 255	0–100%
11	Blanco 1	000 ⇔ 255	0–100%
12	Blanco fino 1	000 ⇔ 255	0–100%
13	Macros de color 1	000 ⇔ 010	Sin función
		011 ⇔ 034	R: 100% G: 0–100% B: 0% A: 0% W: 0%
		035 ⇔ 059	R: 100–0% G: 100% B: 0% A: 0% W: 0%
		060 ⇔ 084	R: 0% G: 100% B: 0–100% A: 0% W: 0%
		084 ⇔ 109	R: 0% G: 100–0% B: 100% A: 0% W: 0%
		110 ⇔ 134	R: 0–100% G: 0% B: 100% A: 0% W: 0%
		134 ⇔ 159	R: 100% G: 0% B: 100–0% A: 0% W: 0%
		160 ⇔ 184	R: 100% G: 0–100% B: 0–100% A: 0% W: 0%
		184 ⇔ 209	R: 100–0% G: 100–0% B: 100% A: 0% W: 0%
210 ⇔ 255	R: 100% G: 100% B: 100% A: 100% W: 100%		

Canal	Función	Valor	Porcentaje/Configuración
14	Temperatura de color 1	000 ⇔ 010	Sin función
		011 ⇔ 028	Blanco 1
		029 ⇔ 046	Blanco 2
		047 ⇔ 064	Blanco 3
		065 ⇔ 082	Blanco 4
		083 ⇔ 100	Blanco 5
		101 ⇔ 118	Blanco 6
		119 ⇔ 136	Blanco 7
		137 ⇔ 154	Blanco 8
		155 ⇔ 172	Blanco 9
		173 ⇔ 190	Blanco 10
		191 ⇔ 208	Blanco 11
		209 ⇔ 226	Blanco 12
		227 ⇔ 244	Blanco 13
245 ⇔ 255	Blanco 14		
15	Estroboscopio 1	000 ⇔ 009	Sin función
		010 ⇔ 099	Estroboscopio, lento a rápido
		100 ⇔ 109	Sin función
		110 ⇔ 179	Estroboscopio de pulso, lento a rápido
		180 ⇔ 189	Sin función
		190 ⇔ 255	Estroboscopio aleatorio, lento a rápido
16	Rojo 2	000 ⇔ 255	0-100%
17	Rojo fino 2	000 ⇔ 255	0-100%
18	Verde 2	000 ⇔ 255	0-100%
19	Verde fino 2	000 ⇔ 255	0-100%
20	Azul 2	000 ⇔ 255	0-100%
21	Azul fino 2	000 ⇔ 255	0-100%
22	Ámbar 2	000 ⇔ 255	0-100%
23	Ámbar fino 2	000 ⇔ 255	0-100%
24	Blanco 2	000 ⇔ 255	0-100%
25	Blanco fino 2	000 ⇔ 255	0-100%
26	Macros de color 2	000 ⇔ 010	Sin función
		011 ⇔ 034	R: 100% G: 0-100% B: 0% A: 0% W: 0%
		035 ⇔ 059	R: 100-0% G: 100% B: 0% A: 0% W: 0%
		060 ⇔ 084	R: 0% G: 100% B: 0-100% A: 0% W: 0%
		084 ⇔ 109	R: 0% G: 100-0% B: 100% A: 0% W: 0%
		110 ⇔ 134	R: 0-100% G: 0% B: 100% A: 0% W: 0%
		134 ⇔ 159	R: 100% G: 0% B: 100-0% A: 0% W: 0%
		160 ⇔ 184	R: 100% G: 0-100% B: 0-100% A: 0% W: 0%
		184 ⇔ 209	R: 100-0% G: 100-0% B: 100% A: 0% W: 0%
		210 ⇔ 255	R: 100% G: 100% B: 100% A: 100% W: 100%

Canal	Función	Valor	Porcentaje/Configuración
27	Temperatura de color 2	000 ⇔ 010	Sin función
		011 ⇔ 028	Blanco 1
		029 ⇔ 046	Blanco 2
		047 ⇔ 064	Blanco 3
		065 ⇔ 082	Blanco 4
		083 ⇔ 100	Blanco 5
		101 ⇔ 118	Blanco 6
		119 ⇔ 136	Blanco 7
		137 ⇔ 154	Blanco 8
		155 ⇔ 172	Blanco 9
		173 ⇔ 190	Blanco 10
		191 ⇔ 208	Blanco 11
		209 ⇔ 226	Blanco 12
		227 ⇔ 244	Blanco 13
245 ⇔ 255	Blanco 14		
28	Estroboscopio 2	000 ⇔ 009	Sin función
		010 ⇔ 099	Estroboscopio, lento a rápido
		100 ⇔ 109	Sin función
		110 ⇔ 179	Estroboscopio de pulso, lento a rápido
		180 ⇔ 189	Sin función
		190 ⇔ 255	Estroboscopio aleatorio, lento a rápido
29	Rojo 3	000 ⇔ 255	0–100%
30	Rojo fino 3	000 ⇔ 255	0–100%
31	Verde 3	000 ⇔ 255	0–100%
32	Verde fino 3	000 ⇔ 255	0–100%
33	Azul 3	000 ⇔ 255	0–100%
34	Azul fino 3	000 ⇔ 255	0–100%
35	Ámbar 3	000 ⇔ 255	0–100%
36	Ámbar fino 3	000 ⇔ 255	0–100%
37	Blanco 3	000 ⇔ 255	0–100%
38	Blanco fino 3	000 ⇔ 255	0–100%
39	Macros de color 3	000 ⇔ 010	Sin función
		011 ⇔ 034	R: 100% G: 0–100% B: 0% A: 0% W: 0%
		035 ⇔ 059	R: 100–0% G: 100% B: 0% A: 0% W: 0%
		060 ⇔ 084	R: 0% G: 100% B: 0–100% A: 0% W: 0%
		084 ⇔ 109	R: 0% G: 100–0% B: 100% A: 0% W: 0%
		110 ⇔ 134	R: 0–100% G: 0% B: 100% A: 0% W: 0%
		134 ⇔ 159	R: 100% G: 0% B: 100–0% A: 0% W: 0%
		160 ⇔ 184	R: 100% G: 0–100% B: 0–100% A: 0% W: 0%
		184 ⇔ 209	R: 100–0% G: 100–0% B: 100% A: 0% W: 0%
		210 ⇔ 255	R: 100% G: 100% B: 100% A: 100% W: 100%

Canal	Función	Valor	Porcentaje/Configuración
40	Temperatura de color 3	000 ⇔ 010	Sin función
		011 ⇔ 028	Blanco 1
		029 ⇔ 046	Blanco 2
		047 ⇔ 064	Blanco 3
		065 ⇔ 082	Blanco 4
		083 ⇔ 100	Blanco 5
		101 ⇔ 118	Blanco 6
		119 ⇔ 136	Blanco 7
		137 ⇔ 154	Blanco 8
		155 ⇔ 172	Blanco 9
		173 ⇔ 190	Blanco 10
		191 ⇔ 208	Blanco 11
		209 ⇔ 226	Blanco 12
		227 ⇔ 244	Blanco 13
245 ⇔ 255	Blanco 14		
41	Estroboscopio 3	000 ⇔ 009	Sin función
		010 ⇔ 099	Estroboscopio, lento a rápido
		100 ⇔ 109	Sin función
		110 ⇔ 179	Estroboscopio de pulso, lento a rápido
		180 ⇔ 189	Sin función
		190 ⇔ 255	Estroboscopio aleatorio, lento a rápido
42	Estroboscopio todo	000 ⇔ 009	Sin función
		010 ⇔ 099	Estroboscopio, lento a rápido
		100 ⇔ 109	Sin función
		110 ⇔ 179	Estroboscopio de pulso, lento a rápido
		180 ⇔ 189	Sin función
		190 ⇔ 255	Estroboscopio aleatorio, lento a rápido
43	Velocidad de atenuador	000 ⇔ 009	Ajuste de la velocidad del atenuador desde la pantalla
		010 ⇔ 029	Modo velocidad del atenuador desactivado
		030 ⇔ 069	Velocidad de atenuador 1 (rápida)
		070 ⇔ 129	Velocidad de atenuador 2
		130 ⇔ 189	Velocidad de atenuador 3
		190 ⇔ 255	Velocidad de atenuador 4 (lenta)

3 RGBAW FIN (30 canales)

Canal	Función	Valor	Porcentaje/Configuración
1	Rojo 1	000 ⇔ 255	0-100%
2	Rojo fino 1	000 ⇔ 255	0-100%
3	Verde 1	000 ⇔ 255	0-100%
4	Verde fino 1	000 ⇔ 255	0-100%
5	Azul 1	000 ⇔ 255	0-100%
6	Azul fino 1	000 ⇔ 255	0-100%
7	Ámbar 1	000 ⇔ 255	0-100%
8	Ámbar fino 1	000 ⇔ 255	0-100%
9	Blanco 1	000 ⇔ 255	0-100%
10	Blanco fino 1	000 ⇔ 255	0-100%
11	Rojo 2	000 ⇔ 255	0-100%
12	Rojo fino 2	000 ⇔ 255	0-100%
13	Verde 2	000 ⇔ 255	0-100%
14	Verde fino 2	000 ⇔ 255	0-100%
15	Azul 2	000 ⇔ 255	0-100%
16	Azul fino 2	000 ⇔ 255	0-100%
17	Ámbar 2	000 ⇔ 255	0-100%
18	Ámbar fino 2	000 ⇔ 255	0-100%
19	Blanco 2	000 ⇔ 255	0-100%

Canal	Función	Valor	Porcentaje/Configuración
20	Blanco fino 2	000 ⇔ 255	0–100%
21	Rojo 3	000 ⇔ 255	0–100%
22	Rojo fino 3	000 ⇔ 255	0–100%
23	Verde 3	000 ⇔ 255	0–100%
24	Verde fino 3	000 ⇔ 255	0–100%
25	Azul 3	000 ⇔ 255	0–100%
26	Azul fino 3	000 ⇔ 255	0–100%
27	Ámbar 3	000 ⇔ 255	0–100%
28	Ámbar fino 3	000 ⇔ 255	0–100%
29	Blanco 3	000 ⇔ 255	0–100%
30	Blanco fino 3	000 ⇔ 255	0–100%

3 RGBAW EXT (27 canales)

Canal	Función	Valor	Porcentaje/Configuración
1	Atenuador	000 ⇔ 255	0–100%
2	Atenuador fino	000 ⇔ 255	0–100%
3	Rojo 1	000 ⇔ 255	0–100%
4	Verde 1	000 ⇔ 255	0–100%
5	Azul 1	000 ⇔ 255	0–100%
6	Ámbar 1	000 ⇔ 255	0–100%
7	Blanco 1	000 ⇔ 255	0–100%
8	Macros de color 1	000 ⇔ 010	Sin función
		011 ⇔ 034	R: 100% G: 0–100% B: 0% A: 0% W: 0%
		035 ⇔ 059	R: 100–0% G: 100% B: 0% A: 0% W: 0%
		060 ⇔ 084	R: 0% G: 100% B: 0–100% A: 0% W: 0%
		084 ⇔ 109	R: 0% G: 100–0% B: 100% A: 0% W: 0%
		110 ⇔ 134	R: 0–100% G: 0% B: 100% A: 0% W: 0%
		134 ⇔ 159	R: 100% G: 0% B: 100–0% A: 0% W: 0%
		160 ⇔ 184	R: 100% G: 0–100% B: 0–100% A: 0% W: 0%
184 ⇔ 209	R: 100–0% G: 100–0% B: 100% A: 0% W: 0%		
210 ⇔ 255	R: 100% G: 100% B: 100% A: 100% W: 100%		
9	Temperatura de color 1	000 ⇔ 010	Sin función
		011 ⇔ 028	Blanco 1
		029 ⇔ 046	Blanco 2
		047 ⇔ 064	Blanco 3
		065 ⇔ 082	Blanco 4
		083 ⇔ 100	Blanco 5
		101 ⇔ 118	Blanco 6
		119 ⇔ 136	Blanco 7
		137 ⇔ 154	Blanco 8
		155 ⇔ 172	Blanco 9
		173 ⇔ 190	Blanco 10
		191 ⇔ 208	Blanco 11
		209 ⇔ 226	Blanco 12
		227 ⇔ 244	Blanco 13
245 ⇔ 255	Blanco 14		
10	Estroboscopio 1	000 ⇔ 009	Sin función
		010 ⇔ 099	Estroboscopio, lento a rápido
		100 ⇔ 109	Sin función
		110 ⇔ 179	Estroboscopio de pulso, lento a rápido
		180 ⇔ 189	Sin función
		190 ⇔ 255	Estroboscopio aleatorio, lento a rápido
11	Rojo 2	000 ⇔ 255	0–100%
12	Verde 2	000 ⇔ 255	0–100%
13	Azul 2	000 ⇔ 255	0–100%

GUÍA DE REFERENCIA RÁPIDA



ES

Canal	Función	Valor	Porcentaje/Configuración
14	Ambar 2	000 ⇄ 255	0-100%
15	Blanco 2	000 ⇄ 255	0-100%
16	Macros de color 2	000 ⇄ 010	Sin función
		011 ⇄ 034	R: 100% G: 0-100% B: 0% A: 0% W: 0%
		035 ⇄ 059	R: 100-0% G: 100% B: 0% A: 0% W: 0%
		060 ⇄ 084	R: 0% G: 100% B: 0-100% A: 0% W: 0%
		084 ⇄ 109	R: 0% G: 100-0% B: 100% A: 0% W: 0%
		110 ⇄ 134	R: 0-100% G: 0% B: 100% A: 0% W: 0%
		134 ⇄ 159	R: 100% G: 0% B: 100-0% A: 0% W: 0%
		160 ⇄ 184	R: 100% G: 0-100% B: 0-100% A: 0% W: 0%
		184 ⇄ 209	R: 100-0% G: 100-0% B: 100% A: 0% W: 0%
		210 ⇄ 255	R: 100% G: 100% B: 100% A: 100% W: 100%
17	Temperatura de color 2	000 ⇄ 010	Sin función
		011 ⇄ 028	Blanco 1
		029 ⇄ 046	Blanco 2
		047 ⇄ 064	Blanco 3
		065 ⇄ 082	Blanco 4
		083 ⇄ 100	Blanco 5
		101 ⇄ 118	Blanco 6
		119 ⇄ 136	Blanco 7
		137 ⇄ 154	Blanco 8
		155 ⇄ 172	Blanco 9
		173 ⇄ 190	Blanco 10
		191 ⇄ 208	Blanco 11
		209 ⇄ 226	Blanco 12
		227 ⇄ 244	Blanco 13
		245 ⇄ 255	Blanco 14
18	Estroboscopio 2	000 ⇄ 009	Sin función
		010 ⇄ 099	Estroboscopio, lento a rápido
		100 ⇄ 109	Sin función
		110 ⇄ 179	Estroboscopio de pulso, lento a rápido
		180 ⇄ 189	Sin función
		190 ⇄ 255	Estroboscopio aleatorio, lento a rápido
19	Rojo 3	000 ⇄ 255	0-100%
20	Verde 3	000 ⇄ 255	0-100%
21	Azul 3	000 ⇄ 255	0-100%
22	Ámbar 3	000 ⇄ 255	0-100%
23	Blanco 3	000 ⇄ 255	0-100%
24	Macros de color 3	000 ⇄ 010	Sin función
		011 ⇄ 034	R: 100% G: 0-100% B: 0% A: 0% W: 0%
		035 ⇄ 059	R: 100-0% G: 100% B: 0% A: 0% W: 0%
		060 ⇄ 084	R: 0% G: 100% B: 0-100% A: 0% W: 0%
		084 ⇄ 109	R: 0% G: 100-0% B: 100% A: 0% W: 0%
		110 ⇄ 134	R: 0-100% G: 0% B: 100% A: 0% W: 0%
		134 ⇄ 159	R: 100% G: 0% B: 100-0% A: 0% W: 0%
		160 ⇄ 184	R: 100% G: 0-100% B: 0-100% A: 0% W: 0%
		184 ⇄ 209	R: 100-0% G: 100-0% B: 100% A: 0% W: 0%
		210 ⇄ 255	R: 100% G: 100% B: 100% A: 100% W: 100%

Canal	Función	Valor	Porcentaje/Configuración
25	Temperatura de color 3	000 ⇔ 010	Sin función
		011 ⇔ 028	Blanco 1
		029 ⇔ 046	Blanco 2
		047 ⇔ 064	Blanco 3
		065 ⇔ 082	Blanco 4
		083 ⇔ 100	Blanco 5
		101 ⇔ 118	Blanco 6
		119 ⇔ 136	Blanco 7
		137 ⇔ 154	Blanco 8
		155 ⇔ 172	Blanco 9
		173 ⇔ 190	Blanco 10
		191 ⇔ 208	Blanco 11
		209 ⇔ 226	Blanco 12
		227 ⇔ 244	Blanco 13
245 ⇔ 255	Blanco 14		
26	Estroboscopio 3	000 ⇔ 009	Sin función
		010 ⇔ 099	Estroboscopio, lento a rápido
		100 ⇔ 109	Sin función
		110 ⇔ 179	Estroboscopio de pulso, lento a rápido
		180 ⇔ 189	Sin función
		190 ⇔ 255	Estroboscopio aleatorio, lento a rápido
27	Estroboscopio todo	000 ⇔ 009	Sin función
		010 ⇔ 099	Estroboscopio, lento a rápido
		100 ⇔ 109	Sin función
		110 ⇔ 179	Estroboscopio de pulso, lento a rápido
		180 ⇔ 189	Sin función
		190 ⇔ 255	Estroboscopio aleatorio, lento a rápido

3 RGBAW (15 canales)

Canal	Función	Valor	Porcentaje/Configuración
1	Rojo 1	000 ⇔ 255	0–100%
2	Verde 1	000 ⇔ 255	0–100%
3	Azul 1	000 ⇔ 255	0–100%
4	Ámbar 1	000 ⇔ 255	0–100%
5	Blanco 1	000 ⇔ 255	0–100%
6	Rojo 2	000 ⇔ 255	0–100%
7	Verde 2	000 ⇔ 255	0–100%
8	Azul 2	000 ⇔ 255	0–100%
9	Ámbar 2	000 ⇔ 255	0–100%
10	Blanco 2	000 ⇔ 255	0–100%
11	Rojo 3	000 ⇔ 255	0–100%
12	Verde 3	000 ⇔ 255	0–100%
13	Azul 3	000 ⇔ 255	0–100%
14	Ámbar 3	000 ⇔ 255	0–100%
15	Blanco 3	000 ⇔ 255	0–100%

3 RGBA EXT (24 canales)

Canal	Función	Valor	Porcentaje/Configuración
1	Atenuador	000 ⇔ 255	0–100%
2	Atenuador fino	000 ⇔ 255	0–100%
3	Rojo 1	000 ⇔ 255	0–100%
4	Verde 1	000 ⇔ 255	0–100%
5	Azul 1	000 ⇔ 255	0–100%
6	Ámbar 1	000 ⇔ 255	0–100%

GUÍA DE REFERENCIA RÁPIDA



ES

Canal	Función	Valor	Porcentaje/Configuración
7	Macros de color 1	000 ⇔ 010	Sin función
		011 ⇔ 034	R: 100% G: 0–100% B: 0% A: 0% W: 0%
		035 ⇔ 059	R: 100–0% G: 100% B: 0% A: 0% W: 0%
		060 ⇔ 084	R: 0% G: 100% B: 0–100% A: 0% W: 0%
		084 ⇔ 109	R: 0% G: 100–0% B: 100% A: 0% W: 0%
		110 ⇔ 134	R: 0–100% G: 0% B: 100% A: 0% W: 0%
		134 ⇔ 159	R: 100% G: 0% B: 100–0% A: 0% W: 0%
		160 ⇔ 184	R: 100% G: 0–100% B: 0–100% A: 0% W: 0%
		184 ⇔ 209	R: 100–0% G: 100–0% B: 100% A: 0% W: 0%
		210 ⇔ 255	R: 100% G: 100% B: 100% A: 100% W: 100%
8	Temperatura de color 1	000 ⇔ 010	Sin función
		011 ⇔ 028	Blanco 1
		029 ⇔ 046	Blanco 2
		047 ⇔ 064	Blanco 3
		065 ⇔ 082	Blanco 4
		083 ⇔ 100	Blanco 5
		101 ⇔ 118	Blanco 6
		119 ⇔ 136	Blanco 7
		137 ⇔ 154	Blanco 8
		155 ⇔ 172	Blanco 9
		173 ⇔ 190	Blanco 10
		191 ⇔ 208	Blanco 11
		209 ⇔ 226	Blanco 12
		227 ⇔ 244	Blanco 13
		245 ⇔ 255	Blanco 14
9	Estroboscopio 1	000 ⇔ 009	Sin función
		010 ⇔ 099	Estroboscopio, lento a rápido
		100 ⇔ 109	Sin función
		110 ⇔ 179	Estroboscopio de pulso, lento a rápido
		180 ⇔ 189	Sin función
		190 ⇔ 255	Estroboscopio aleatorio, lento a rápido
10	Rojo 2	000 ⇔ 255	0–100%
11	Verde 2	000 ⇔ 255	0–100%
12	Azul 2	000 ⇔ 255	0–100%
13	Ámbar 2	000 ⇔ 255	0–100%
14	Macros de color 2	000 ⇔ 010	Sin función
		011 ⇔ 034	R: 100% G: 0–100% B: 0% A: 0% W: 0%
		035 ⇔ 059	R: 100–0% G: 100% B: 0% A: 0% W: 0%
		060 ⇔ 084	R: 0% G: 100% B: 0–100% A: 0% W: 0%
		084 ⇔ 109	R: 0% G: 100–0% B: 100% A: 0% W: 0%
		110 ⇔ 134	R: 0–100% G: 0% B: 100% A: 0% W: 0%
		134 ⇔ 159	R: 100% G: 0% B: 100–0% A: 0% W: 0%
		160 ⇔ 184	R: 100% G: 0–100% B: 0–100% A: 0% W: 0%
		184 ⇔ 209	R: 100–0% G: 100–0% B: 100% A: 0% W: 0%
		210 ⇔ 255	R: 100% G: 100% B: 100% A: 100% W: 100%

Canal	Función	Valor	Porcentaje/Configuración
15	Temperatura de color 2	000 ⇔ 010	Sin función
		011 ⇔ 028	Blanco 1
		029 ⇔ 046	Blanco 2
		047 ⇔ 064	Blanco 3
		065 ⇔ 082	Blanco 4
		083 ⇔ 100	Blanco 5
		101 ⇔ 118	Blanco 6
		119 ⇔ 136	Blanco 7
		137 ⇔ 154	Blanco 8
		155 ⇔ 172	Blanco 9
		173 ⇔ 190	Blanco 10
		191 ⇔ 208	Blanco 11
		209 ⇔ 226	Blanco 12
		227 ⇔ 244	Blanco 13
245 ⇔ 255	Blanco 14		
16	Estroboscopio 2	000 ⇔ 009	Sin función
		010 ⇔ 099	Estroboscopio, lento a rápido
		100 ⇔ 109	Sin función
		110 ⇔ 179	Estroboscopio de pulso, lento a rápido
		180 ⇔ 189	Sin función
		190 ⇔ 255	Estroboscopio aleatorio, lento a rápido
17	Rojo 3	000 ⇔ 255	0–100%
18	Verde 3	000 ⇔ 255	0–100%
19	Azul 3	000 ⇔ 255	0–100%
20	Ámbar 3	000 ⇔ 255	0–100%
21	Macros de color 3	000 ⇔ 010	Sin función
		011 ⇔ 034	R: 100% G: 0–100% B: 0% A: 0% W: 0%
		035 ⇔ 059	R: 100–0% G: 100% B: 0% A: 0% W: 0%
		060 ⇔ 084	R: 0% G: 100% B: 0–100% A: 0% W: 0%
		084 ⇔ 109	R: 0% G: 100–0% B: 100% A: 0% W: 0%
		110 ⇔ 134	R: 0–100% G: 0% B: 100% A: 0% W: 0%
		134 ⇔ 159	R: 100% G: 0% B: 100–0% A: 0% W: 0%
		160 ⇔ 184	R: 100% G: 0–100% B: 0–100% A: 0% W: 0%
		184 ⇔ 209	R: 100–0% G: 100–0% B: 100% A: 0% W: 0%
		210 ⇔ 255	R: 100% G: 100% B: 100% A: 100% W: 100%
22	Temperatura de color 3	000 ⇔ 010	Sin función
		011 ⇔ 028	Blanco 1
		029 ⇔ 046	Blanco 2
		047 ⇔ 064	Blanco 3
		065 ⇔ 082	Blanco 4
		083 ⇔ 100	Blanco 5
		101 ⇔ 118	Blanco 6
		119 ⇔ 136	Blanco 7
		137 ⇔ 154	Blanco 8
		155 ⇔ 172	Blanco 9
		173 ⇔ 190	Blanco 10
		191 ⇔ 208	Blanco 11
		209 ⇔ 226	Blanco 12
		227 ⇔ 244	Blanco 13
245 ⇔ 255	Blanco 14		

ES

Canal	Función	Valor	Porcentaje/Configuración
23	Estroboscopio 3	000 ⇔ 009	Sin función
		010 ⇔ 099	Estroboscopio, lento a rápido
		100 ⇔ 109	Sin función
		110 ⇔ 179	Estroboscopio de pulso, lento a rápido
		180 ⇔ 189	Sin función
		190 ⇔ 255	Estroboscopio aleatorio, lento a rápido
24	Estroboscopio todo	000 ⇔ 009	Sin función
		010 ⇔ 099	Estroboscopio, lento a rápido
		100 ⇔ 109	Sin función
		110 ⇔ 179	Estroboscopio de pulso, lento a rápido
		180 ⇔ 189	Sin función
		190 ⇔ 255	Estroboscopio aleatorio, lento a rápido

3 RGBA (12 canales)

Canal	Función	Valor	Porcentaje/Configuración
1	Rojo 1	000 ⇔ 255	0–100%
2	Verde 1	000 ⇔ 255	0–100%
3	Azul 1	000 ⇔ 255	0–100%
4	Ámbar 1	000 ⇔ 255	0–100%
5	Rojo 2	000 ⇔ 255	0–100%
6	Verde 2	000 ⇔ 255	0–100%
7	Azul 2	000 ⇔ 255	0–100%
8	Ámbar 2	000 ⇔ 255	0–100%
9	Rojo 3	000 ⇔ 255	0–100%
10	Verde 3	000 ⇔ 255	0–100%
11	Azul 3	000 ⇔ 255	0–100%
12	Ámbar 3	000 ⇔ 255	0–100%

3 RGB EXT (21 canales)

Canal	Función	Valor	Porcentaje/Configuración
1	Atenuador	000 ⇔ 255	0–100%
2	Atenuador fino	000 ⇔ 255	0–100%
3	Rojo 1	000 ⇔ 255	0–100%
4	Verde 1	000 ⇔ 255	0–100%
5	Azul 1	000 ⇔ 255	0–100%
6	Macros de color 1	000 ⇔ 010	Sin función
		011 ⇔ 034	R: 100% G: 0–100% B: 0% A: 0% W: 0%
		035 ⇔ 059	R: 100–0% G: 100% B: 0% A: 0% W: 0%
		060 ⇔ 084	R: 0% G: 100% B: 0–100% A: 0% W: 0%
		084 ⇔ 109	R: 0% G: 100–0% B: 100% A: 0% W: 0%
		110 ⇔ 134	R: 0–100% G: 0% B: 100% A: 0% W: 0%
		134 ⇔ 159	R: 100% G: 0% B: 100–0% A: 0% W: 0%
		160 ⇔ 184	R: 100% G: 0–100% B: 0–100% A: 0% W: 0%
		184 ⇔ 209	R: 100–0% G: 100–0% B: 100% A: 0% W: 0%
		210 ⇔ 255	R: 100% G: 100% B: 100% A: 100% W: 100%

Canal	Función	Valor	Porcentaje/Configuración
7	Temperatura de color 1	000 ⇔ 010	Sin función
		011 ⇔ 028	Blanco 1
		029 ⇔ 046	Blanco 2
		047 ⇔ 064	Blanco 3
		065 ⇔ 082	Blanco 4
		083 ⇔ 100	Blanco 5
		101 ⇔ 118	Blanco 6
		119 ⇔ 136	Blanco 7
		137 ⇔ 154	Blanco 8
		155 ⇔ 172	Blanco 9
		173 ⇔ 190	Blanco 10
		191 ⇔ 208	Blanco 11
		209 ⇔ 226	Blanco 12
		227 ⇔ 244	Blanco 13
245 ⇔ 255	Blanco 14		
8	Estroboscopio 1	000 ⇔ 009	Sin función
		010 ⇔ 099	Estroboscopio, lento a rápido
		100 ⇔ 109	Sin función
		110 ⇔ 179	Estroboscopio de pulso, lento a rápido
		180 ⇔ 189	Sin función
		190 ⇔ 255	Estroboscopio aleatorio, lento a rápido
9	Rojo 2	000 ⇔ 255	0–100%
10	Verde 2	000 ⇔ 255	0–100%
11	Azul 2	000 ⇔ 255	0–100%
12	Macros de color 2	000 ⇔ 010	Sin función
		011 ⇔ 034	R: 100% G: 0–100% B: 0% A: 0% W: 0%
		035 ⇔ 059	R: 100–0% G: 100% B: 0% A: 0% W: 0%
		060 ⇔ 084	R: 0% G: 100% B: 0–100% A: 0% W: 0%
		084 ⇔ 109	R: 0% G: 100–0% B: 100% A: 0% W: 0%
		110 ⇔ 134	R: 0–100% G: 0% B: 100% A: 0% W: 0%
		134 ⇔ 159	R: 100% G: 0% B: 100–0% A: 0% W: 0%
		160 ⇔ 184	R: 100% G: 0–100% B: 0–100% A: 0% W: 0%
		184 ⇔ 209	R: 100–0% G: 100–0% B: 100% A: 0% W: 0%
		210 ⇔ 255	R: 100% G: 100% B: 100% A: 100% W: 100%
13	Temperatura de color 2	000 ⇔ 010	Sin función
		011 ⇔ 028	Blanco 1
		029 ⇔ 046	Blanco 2
		047 ⇔ 064	Blanco 3
		065 ⇔ 082	Blanco 4
		083 ⇔ 100	Blanco 5
		101 ⇔ 118	Blanco 6
		119 ⇔ 136	Blanco 7
		137 ⇔ 154	Blanco 8
		155 ⇔ 172	Blanco 9
		173 ⇔ 190	Blanco 10
		191 ⇔ 208	Blanco 11
		209 ⇔ 226	Blanco 12
		227 ⇔ 244	Blanco 13
245 ⇔ 255	Blanco 14		
14	Estroboscopio 2	000 ⇔ 009	Sin función
		010 ⇔ 099	Estroboscopio, lento a rápido
		100 ⇔ 109	Sin función
		110 ⇔ 179	Estroboscopio de pulso, lento a rápido
		180 ⇔ 189	Sin función
		190 ⇔ 255	Estroboscopio aleatorio, lento a rápido

Canal	Función	Valor	Porcentaje/Configuración
15	Rojo 3	000 ⇄ 255	0–100%
16	Verde 3	000 ⇄ 255	0–100%
17	Azul 3	000 ⇄ 255	0–100%
18	Macros de color 3	000 ⇄ 010	Sin función
		011 ⇄ 034	R: 100% G: 0–100% B: 0% A: 0% W: 0%
		035 ⇄ 059	R: 100–0% G: 100% B: 0% A: 0% W: 0%
		060 ⇄ 084	R: 0% G: 100% B: 0–100% A: 0% W: 0%
		084 ⇄ 109	R: 0% G: 100–0% B: 100% A: 0% W: 0%
		110 ⇄ 134	R: 0–100% G: 0% B: 100% A: 0% W: 0%
		134 ⇄ 159	R: 100% G: 0% B: 100–0% A: 0% W: 0%
		160 ⇄ 184	R: 100% G: 0–100% B: 0–100% A: 0% W: 0%
		184 ⇄ 209	R: 100–0% G: 100–0% B: 100% A: 0% W: 0%
210 ⇄ 255	R: 100% G: 100% B: 100% A: 100% W: 100%		
19	Temperatura de color 3	000 ⇄ 010	Sin función
		011 ⇄ 028	Blanco 1
		029 ⇄ 046	Blanco 2
		047 ⇄ 064	Blanco 3
		065 ⇄ 082	Blanco 4
		083 ⇄ 100	Blanco 5
		101 ⇄ 118	Blanco 6
		119 ⇄ 136	Blanco 7
		137 ⇄ 154	Blanco 8
		155 ⇄ 172	Blanco 9
		173 ⇄ 190	Blanco 10
		191 ⇄ 208	Blanco 11
		209 ⇄ 226	Blanco 12
		227 ⇄ 244	Blanco 13
245 ⇄ 255	Blanco 14		
20	Estroboscopio 3	000 ⇄ 009	Sin función
		010 ⇄ 099	Estroboscopio, lento a rápido
		100 ⇄ 109	Sin función
		110 ⇄ 179	Estroboscopio de pulso, lento a rápido
		180 ⇄ 189	Sin función
		190 ⇄ 255	Estroboscopio aleatorio, lento a rápido
21	Estroboscopio todo	000 ⇄ 009	Sin función
		010 ⇄ 099	Estroboscopio, lento a rápido
		100 ⇄ 109	Sin función
		110 ⇄ 179	Estroboscopio de pulso, lento a rápido
		180 ⇄ 189	Sin función
		190 ⇄ 255	Estroboscopio aleatorio, lento a rápido

3 RGB (9 canales)

Canal	Función	Valor	Porcentaje/Configuración
1	Rojo 1	000 ⇄ 255	0–100%
2	Verde 1	000 ⇄ 255	0–100%
3	Azul 1	000 ⇄ 255	0–100%
4	Rojo 2	000 ⇄ 255	0–100%
5	Verde 2	000 ⇄ 255	0–100%
6	Azul 2	000 ⇄ 255	0–100%
7	Rojo 3	000 ⇄ 255	0–100%
8	Verde 3	000 ⇄ 255	0–100%
9	Azul 3	000 ⇄ 255	0–100%

Valores DMX de 1 celda
1 HSIC (8 canales)

Canal	Función	Valor	Porcentaje/Configuración
1	Atenuador	000 ⇔ 255	0–100%
2	Tono	000 ⇔ 255	0–100%
3	Tono fino	000 ⇔ 255	0–100%
4	Saturación	000 ⇔ 255	0–100%
5	Estroboscopio	000 ⇔ 009	Sin función
		010 ⇔ 099	Estroboscopio, lento a rápido
		100 ⇔ 109	Sin función
		110 ⇔ 179	Estroboscopio de pulso, lento a rápido
		180 ⇔ 189	Sin función
		190 ⇔ 255	Estroboscopio aleatorio, lento a rápido
6	Macros de color	000 ⇔ 010	Sin función
		011 ⇔ 034	R: 100% G: 0–100% B: 0% A: 0% W: 0%
		035 ⇔ 059	R: 100–0% G: 100% B: 0% A: 0% W: 0%
		060 ⇔ 084	R: 0% G: 100% B: 0–100% A: 0% W: 0%
		084 ⇔ 109	R: 0% G: 100–0% B: 100% A: 0% W: 0%
		110 ⇔ 134	R: 0–100% G: 0% B: 100% A: 0% W: 0%
		134 ⇔ 159	R: 100% G: 0% B: 100–0% A: 0% W: 0%
		160 ⇔ 184	R: 100% G: 0–100% B: 0–100% A: 0% W: 0%
		184 ⇔ 209	R: 100–0% G: 100–0% B: 100% A: 0% W: 0%
210 ⇔ 255	R: 100% G: 100% B: 100% A: 100% W: 100%		
7	Temperaturas de color	000 ⇔ 010	Sin función
		011 ⇔ 028	Blanco 1
		029 ⇔ 046	Blanco 2
		047 ⇔ 064	Blanco 3
		065 ⇔ 082	Blanco 4
		083 ⇔ 100	Blanco 5
		101 ⇔ 118	Blanco 6
		119 ⇔ 136	Blanco 7
		137 ⇔ 154	Blanco 8
		155 ⇔ 172	Blanco 9
		173 ⇔ 190	Blanco 10
		191 ⇔ 208	Blanco 11
		209 ⇔ 226	Blanco 12
		227 ⇔ 244	Blanco 13
245 ⇔ 255	Blanco 14		
8	Velocidad de atenuador	000 ⇔ 009	Ajuste de la velocidad del atenuador desde la pantalla
		010 ⇔ 029	Modo velocidad del atenuador desactivado
		030 ⇔ 069	Velocidad de atenuador 1 (rápida)
		070 ⇔ 129	Velocidad de atenuador 2
		130 ⇔ 189	Velocidad de atenuador 3
		190 ⇔ 255	Velocidad de atenuador 4 (lenta)

1 RGBAW FUL (16 canales)

Canal	Función	Valor	Porcentaje/Configuración
1	Atenuador	000 ⇔ 255	0–100%
2	Atenuador fino	000 ⇔ 255	0–100%
3	Rojo	000 ⇔ 255	0–100%
4	Rojo fino	000 ⇔ 255	0–100%
5	Verde	000 ⇔ 255	0–100%
6	Verde fino	000 ⇔ 255	0–100%
7	Azul	000 ⇔ 255	0–100%
8	Azul fino	000 ⇔ 255	0–100%
9	Ámbar	000 ⇔ 255	0–100%

Canal	Función	Valor	Porcentaje/Configuración
10	Ambar fino	000 ⇄ 255	0–100%
11	Blanco	000 ⇄ 255	0–100%
12	Blanco fino	000 ⇄ 255	0–100%
13	Macros de color	000 ⇄ 010	Sin función
		011 ⇄ 034	R: 100% G: 0–100% B: 0% A: 0% W: 0%
		035 ⇄ 059	R: 100–0% G: 100% B: 0% A: 0% W: 0%
		060 ⇄ 084	R: 0% G: 100% B: 0–100% A: 0% W: 0%
		084 ⇄ 109	R: 0% G: 100–0% B: 100% A: 0% W: 0%
		110 ⇄ 134	R: 0–100% G: 0% B: 100% A: 0% W: 0%
		134 ⇄ 159	R: 100% G: 0% B: 100–0% A: 0% W: 0%
		160 ⇄ 184	R: 100% G: 0–100% B: 0–100% A: 0% W: 0%
		184 ⇄ 209	R: 100–0% G: 100–0% B: 100% A: 0% W: 0%
210 ⇄ 255	R: 100% G: 100% B: 100% A: 100% W: 100%		
14	Temperatura de color	000 ⇄ 010	Sin función
		011 ⇄ 028	Blanco 1
		029 ⇄ 046	Blanco 2
		047 ⇄ 064	Blanco 3
		065 ⇄ 082	Blanco 4
		083 ⇄ 100	Blanco 5
		101 ⇄ 118	Blanco 6
		119 ⇄ 136	Blanco 7
		137 ⇄ 154	Blanco 8
		155 ⇄ 172	Blanco 9
		173 ⇄ 190	Blanco 10
		191 ⇄ 208	Blanco 11
		209 ⇄ 226	Blanco 12
		227 ⇄ 244	Blanco 13
245 ⇄ 255	Blanco 14		
15	Estroboscopio	000 ⇄ 009	Sin función
		010 ⇄ 099	Estroboscopio, lento a rápido
		100 ⇄ 109	Sin función
		110 ⇄ 179	Estroboscopio de pulso, lento a rápido
		180 ⇄ 189	Sin función
		190 ⇄ 255	Estroboscopio aleatorio, lento a rápido
16	Velocidad de atenuador	000 ⇄ 009	Ajuste de la velocidad del atenuador desde la pantalla
		010 ⇄ 029	Modo velocidad del atenuador desactivado
		030 ⇄ 069	Velocidad de atenuador 1 (rápida)
		070 ⇄ 129	Velocidad de atenuador 2
		130 ⇄ 189	Velocidad de atenuador 3
		190 ⇄ 255	Velocidad de atenuador 4 (lenta)

1 RGBAW FIN (10 canales)

Canal	Función	Valor	Porcentaje/Configuración
1	Rojo	000 ⇄ 255	0–100%
2	Rojo fino	000 ⇄ 255	0–100%
3	Verde	000 ⇄ 255	0–100%
4	Verde fino	000 ⇄ 255	0–100%
5	Azul	000 ⇄ 255	0–100%
6	Azul fino	000 ⇄ 255	0–100%
7	Ámbar	000 ⇄ 255	0–100%
8	Ámbar fino	000 ⇄ 255	0–100%
9	Blanco	000 ⇄ 255	0–100%
10	Blanco fino	000 ⇄ 255	0–100%

1 RGBAW EXT (10 canales)

Canal	Función	Valor	Porcentaje/Configuración
1	Atenuador	000 ⇔ 255	0–100%
2	Atenuador fino	000 ⇔ 255	0–100%
3	Rojo	000 ⇔ 255	0–100%
4	Verde	000 ⇔ 255	0–100%
5	Azul	000 ⇔ 255	0–100%
6	Ámbar	000 ⇔ 255	0–100%
7	Blanco	000 ⇔ 255	0–100%
8	Macros de color	000 ⇔ 010	Sin función
		011 ⇔ 034	R: 100% G: 0–100% B: 0% A: 0% W: 0%
		035 ⇔ 059	R: 100–0% G: 100% B: 0% A: 0% W: 0%
		060 ⇔ 084	R: 0% G: 100% B: 0–100% A: 0% W: 0%
		084 ⇔ 109	R: 0% G: 100–0% B: 100% A: 0% W: 0%
		110 ⇔ 134	R: 0–100% G: 0% B: 100% A: 0% W: 0%
		134 ⇔ 159	R: 100% G: 0% B: 100–0% A: 0% W: 0%
		160 ⇔ 184	R: 100% G: 0–100% B: 0–100% A: 0% W: 0%
184 ⇔ 209	R: 100–0% G: 100–0% B: 100% A: 0% W: 0%		
210 ⇔ 255	R: 100% G: 100% B: 100% A: 100% W: 100%		
9	Temperatura de color	000 ⇔ 010	Sin función
		011 ⇔ 028	Blanco 1
		029 ⇔ 046	Blanco 2
		047 ⇔ 064	Blanco 3
		065 ⇔ 082	Blanco 4
		083 ⇔ 100	Blanco 5
		101 ⇔ 118	Blanco 6
		119 ⇔ 136	Blanco 7
		137 ⇔ 154	Blanco 8
		155 ⇔ 172	Blanco 9
		173 ⇔ 190	Blanco 10
		191 ⇔ 208	Blanco 11
		209 ⇔ 226	Blanco 12
		227 ⇔ 244	Blanco 13
245 ⇔ 255	Blanco 14		
10	Estroboscopio	000 ⇔ 009	Sin función
		010 ⇔ 099	Estroboscopio, lento a rápido
		100 ⇔ 109	Sin función
		110 ⇔ 179	Estroboscopio de pulso, lento a rápido
		180 ⇔ 189	Sin función
		190 ⇔ 255	Estroboscopio aleatorio, lento a rápido

1 RGBAW (5 canales)

Canal	Función	Valor	Porcentaje/Configuración
1	Rojo	000 ⇔ 255	0–100%
2	Verde	000 ⇔ 255	0–100%
3	Azul	000 ⇔ 255	0–100%
4	Ámbar	000 ⇔ 255	0–100%
5	Blanco	000 ⇔ 255	0–100%

1 RGBA EXT (9 canales)

Canal	Función	Valor	Porcentaje/Configuración
1	Atenuador	000 ⇔ 255	0–100%
2	Atenuador fino	000 ⇔ 255	0–100%
3	Rojo	000 ⇔ 255	0–100%
4	Verde	000 ⇔ 255	0–100%

ES

Canal	Función	Valor	Porcentaje/Configuración
5	Azul	000 ⇔ 255	0–100%
6	Ámbar	000 ⇔ 255	0–100%
7	Macros de color	000 ⇔ 010	Sin función
		011 ⇔ 034	R: 100% G: 0–100% B: 0% A: 0% W: 0%
		035 ⇔ 059	R: 100–0% G: 100% B: 0% A: 0% W: 0%
		060 ⇔ 084	R: 0% G: 100% B: 0–100% A: 0% W: 0%
		084 ⇔ 109	R: 0% G: 100–0% B: 100% A: 0% W: 0%
		110 ⇔ 134	R: 0–100% G: 0% B: 100% A: 0% W: 0%
		134 ⇔ 159	R: 100% G: 0% B: 100–0% A: 0% W: 0%
		160 ⇔ 184	R: 100% G: 0–100% B: 0–100% A: 0% W: 0%
		184 ⇔ 209	R: 100–0% G: 100–0% B: 100% A: 0% W: 0%
		210 ⇔ 255	R: 100% G: 100% B: 100% A: 100% W: 100%
8	Temperatura de color	000 ⇔ 010	Sin función
		011 ⇔ 028	Blanco 1
		029 ⇔ 046	Blanco 2
		047 ⇔ 064	Blanco 3
		065 ⇔ 082	Blanco 4
		083 ⇔ 100	Blanco 5
		101 ⇔ 118	Blanco 6
		119 ⇔ 136	Blanco 7
		137 ⇔ 154	Blanco 8
		155 ⇔ 172	Blanco 9
		173 ⇔ 190	Blanco 10
		191 ⇔ 208	Blanco 11
		209 ⇔ 226	Blanco 12
		227 ⇔ 244	Blanco 13
245 ⇔ 255	Blanco 14		
9	Estroboscopio	000 ⇔ 009	Sin función
		010 ⇔ 099	Estroboscopio, lento a rápido
		100 ⇔ 109	Sin función
		110 ⇔ 179	Estroboscopio de pulso, lento a rápido
		180 ⇔ 189	Sin función
		190 ⇔ 255	Estroboscopio aleatorio, lento a rápido

1 RGBA (4 canales)

Canal	Función	Valor	Porcentaje/Configuración
1	Rojo	000 ⇔ 255	0–100%
2	Verde	000 ⇔ 255	0–100%
3	Azul	000 ⇔ 255	0–100%
4	Ámbar	000 ⇔ 255	0–100%

1 RGB EXT (8 canales)

Canal	Función	Valor	Porcentaje/Configuración
1	Atenuador	000 ⇔ 255	0–100%
2	Atenuador fino	000 ⇔ 255	0–100%
3	Rojo	000 ⇔ 255	0–100%
4	Verde	000 ⇔ 255	0–100%
5	Azul	000 ⇔ 255	0–100%

Canal	Función	Valor	Porcentaje/Configuración
6	Macros de color	000 ⇔ 010	Sin función
		011 ⇔ 034	R: 100% G: 0–100% B: 0% A: 0% W: 0%
		035 ⇔ 059	R: 100–0% G: 100% B: 0% A: 0% W: 0%
		060 ⇔ 084	R: 0% G: 100% B: 0–100% A: 0% W: 0%
		084 ⇔ 109	R: 0% G: 100–0% B: 100% A: 0% W: 0%
		110 ⇔ 134	R: 0–100% G: 0% B: 100% A: 0% W: 0%
		134 ⇔ 159	R: 100% G: 0% B: 100–0% A: 0% W: 0%
		160 ⇔ 184	R: 100% G: 0–100% B: 0–100% A: 0% W: 0%
		184 ⇔ 209	R: 100–0% G: 100–0% B: 100% A: 0% W: 0%
		210 ⇔ 255	R: 100% G: 100% B: 100% A: 100% W: 100%
7	Temperatura de color	000 ⇔ 010	Sin función
		011 ⇔ 028	Blanco 1
		029 ⇔ 046	Blanco 2
		047 ⇔ 064	Blanco 3
		065 ⇔ 082	Blanco 4
		083 ⇔ 100	Blanco 5
		101 ⇔ 118	Blanco 6
		119 ⇔ 136	Blanco 7
		137 ⇔ 154	Blanco 8
		155 ⇔ 172	Blanco 9
		173 ⇔ 190	Blanco 10
		191 ⇔ 208	Blanco 11
		209 ⇔ 226	Blanco 12
		227 ⇔ 244	Blanco 13
245 ⇔ 255	Blanco 14		
8	Estroboscopio	000 ⇔ 009	Sin función
		010 ⇔ 099	Estroboscopio, lento a rápido
		100 ⇔ 109	Sin función
		110 ⇔ 179	Estroboscopio de pulso, lento a rápido
		180 ⇔ 189	Sin función
		190 ⇔ 255	Estroboscopio aleatorio, lento a rápido

1 RGB (3 canales)

Canal	Función	Valor	Porcentaje/Configuración
1	Rojo	000 ⇔ 255	0–100%
2	Verde	000 ⇔ 255	0–100%
3	Azul	000 ⇔ 255	0–100%

À Propos de ce Manuel

Le Manuel de Référence du COLORado Batten 72X (MdR) reprend des informations de base sur cet appareil notamment en matière de connexions, montage, options de menu et valeurs DMX. Télécharger le Manuel d'Utilisation sur www.chauvetprofessional.com pour de plus amples informations.

Clause de Non-Responsabilité

Les informations et caractéristiques contenues dans ce manuel sont sujettes à changement sans préavis.

GARANTIE LIMITÉE

VEUILLEZ VISITER NOTRE SITE INTERNET POUR CONSULTER LES MODALITÉS D'ENREGISTREMENT DE LA GARANTIE ET LES CONDITIONS GÉNÉRALES COMPLÈTES.

Pour les clients aux États-Unis et au Mexique: www.chauvetlighting.com/warranty-registration.

Pour les clients du Royaume-Uni, de la République d'Irlande, de la Belgique, des Pays-Bas, du Luxembourg, de la France et de l'Allemagne: www.chauvetlighting.eu/warranty-registration.

Chauvet garantit que cet appareil est exempt de défauts de matériaux et de fabrication dans des conditions normales d'utilisation, pendant la période spécifiée dans la garantie limitée complète consultable sur notre site Internet et sous réserve des exclusions et limitations qui y sont énoncées. Cette garantie ne s'applique qu'à l'acheteur initial du produit et n'est pas transférable. Pour exercer les droits prévus par cette garantie, vous devez fournir une preuve d'achat sous la forme d'un reçu de vente original d'un revendeur autorisé qui indique le nom du produit et la date d'achat. IL N'EXISTE AUCUNE AUTRE GARANTIE EXPRESSE OU IMPLICITE. Cette garantie vous confère des droits légaux spécifiques. Vous pouvez également bénéficier d'autres droits qui varient selon les états et les pays. Cette garantie n'est valable qu'aux États-Unis, au Royaume-Uni, en République d'Irlande, en Belgique, aux Pays-Bas, au Luxembourg, en France, en Allemagne et au Mexique. Pour connaître les conditions de garantie dans d'autres pays, veuillez consulter votre revendeur local.

Consignes de Sécurité

- N'ouvrez PAS cet appareil. Il ne contient aucun composant susceptible d'être réparé par l'utilisateur.
- Durant les périodes de non-utilisation, pour éviter toute usure inutile et pour prolonger la durée de vie, déconnectez entièrement l'appareil en le débranchant de l'alimentation électrique ou en coupant le disjoncteur.
- Ne regardez PAS la source lumineuse lorsque l'appareil fonctionne.
- ATTENTION: le boîtier de cet appareil est brûlant lors du fonctionnement.
- Montez toujours cet appareil dans un endroit bien ventilé, à au moins, 20 pouces (50 cm) des surfaces adjacentes.
- Ne laissez AUCUNE source inflammable dans un rayon de 50 cm de l'appareil lorsque celui-ci fonctionne.
- Attention : Lorsque l'appareil est transféré d'un environnement à température extrême à un autre (par exemple d'un camion froid vers une salle de bal chaude et humide), de la condensation peut se former sur les composants électriques internes. Pour éviter de causer des dommages, laissez l'appareil s'acclimater entièrement au milieu environnant avant de le mettre sous tension.
- Ne convient pas aux installations permanentes en extérieur sur des sites sujets à des conditions environnementales extrêmes. Cela inclut par exemple :
 - L'exposition à un environnement marin ou à une solution saline (à moins de 4,8 kilomètres d'un corps d'eau salée).
 - Lorsque les températures moyennes hautes ou basses du site dépassent les plages de températures indiquées dans ce manuel.
 - Les sites qui sont sujets aux inondations ou qui présentent un risque d'être ensevelis sous la neige.
 - Tout autre endroit où le produit risque d'être soumis à des rayonnements extrêmes ou à des substances caustiques.
- Utilisez TOUJOURS un câble de sécurité lorsque vous montez cet appareil en hauteur.
- N'immergez PAS ce produit (IP 65). Un usage normal en extérieur est autorisé.
- N'utilisez PAS cet appareil si le boîtier, les lentilles ou les câbles vous semblent endommagés.
- Ne connectez PAS cet appareil ni à un gradateur ni à un rhéostat.
- Connectez UNIQUEMENT cet appareil à un circuit protégé et relié à la terre.
- Transportez/Suspendez cet appareil UNIQUEMENT par le support de montage dont il est doté.
- En cas de sérieux problèmes de fonctionnement, arrêtez le système immédiatement.
- La température ambiante maximale supportée par cet appareil est de 113 °F (45 °C). Ne le faites pas fonctionner à des températures plus élevées.

Contact

En dehors des États-Unis, du Royaume-Uni, de l'Irlande, du Benelux, de la France, de l'Allemagne, ou du Mexique, contactez votre fournisseur si vous avez besoin d'assistance ou pour retourner un appareil. Référez-vous à [Contact Us](#) à la fin de ce MdR pour obtenir des informations pour nous contacter.

Ce Qui est Inclus

- COLORado Batten 72X avec écran anti-éblouissement
- Cordon d'Alimentation Seetronic Powerkon IP65
- Fixations Omega
- Manuel de Référence

Alimentation CA

Cet appareil est doté d'une alimentation universelle prenant en charge toute tension d'entrée comprise entre 100 et 240 VCA, 50/60 Hz.

Connexion Électrique

Vous pouvez connecter jusqu'à 6 COLORado Batten 72X à 120 V, 17 unités à 208 V ou 19 unités à 230 V. Vous pouvez vous procurer séparément des cordons d'alimentation.

Prise CA

Connexion	Câble (États-Unis)	Câble (Europe)	Couleur de la vis
Conducteur CA	Noir	Marron	Jaune/Cuivré
Neutre CA	Blanc	Bleu	Argenté
Terre CA	Vert/Jaune	Vert/Jaune	Vert



Durant les périodes de non-utilisation, pour éviter tout usure inutile et pour prolonger la durée de vie, déconnectez-entièrement l'appareil en le débranchant de l'alimentation électrique ou en coupant le disjoncteur.

Raccordement DMX

Le COLORado Batten 72X fonctionnera avec une console DMX au moyen d'une connexion série DMX à 5 broches. Une introduction au DMX est à votre disposition sur www.chauvetprofessional.com.

Connexion DMX

Le COLORado Batten 72X utilise une connexion de données DMX à 5 broches pour ses 18 personnalités de contrôle allant de 3 canaux à 43 canaux en mode 1 cellule et 3 cellules:

	RGB	RGB EXT	RGBA	RGBA EXT	RGBAW	RGBAW EXT	RGBAW FIN	RGBAW FUL	HSIC
1 cellule	3	8	4	9	5	10	10	16	8
3 cellules	9	21	12	24	15	27	30	43	22

Consultez le Manuel d'Utilisation pour connecter et configurer le système DMX.

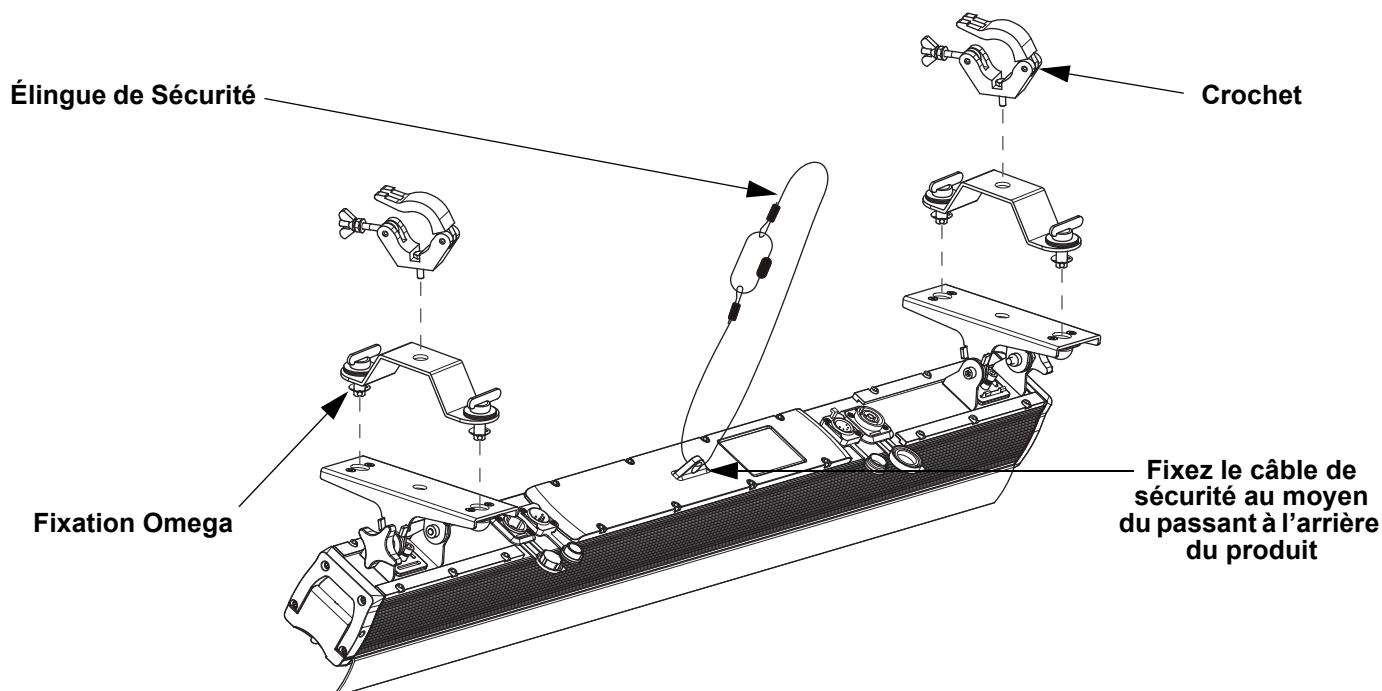
RDM (Gestion des périphériques à distance)

Le protocole RDM (gestion des périphériques à distance) est un standard pour la communication bidirectionnelle des appareils dotés de fonctions DMX dans un câblage DMX existant. Le COLORado Batten 72X supporte le protocole RDM permettant un retour d'information pour la surveillance et des changements des options de menu. Veuillez télécharger le manuel de l'utilisateur à partir du site internet www.chauvetprofessional.com pour plus de détails.

Installation

Avant de monter cet appareil, lisez et assimilez les [Consignes de Sécurité](#). Utilisez au moins deux points de fixation par appareil. Soyez sûr que les crochets sont capables de supporter le poids du produit. Pour voir notre gamme de crochets, rendez-vous sur <http://trusst.com/productcategory/truss-clamps>.

Schéma de Montage de l'Appareil



Description du Tableau de Commandes

Bouton	Fonction
<MENU>	Permet la sortie du menu ou de la fonction en cours
<ENTER>	Permet l'affichage du menu en cours ou permet de configurer la valeur en cours dans la fonction sélectionnée
<UP>	Permet de parcourir les listes ou les menus vers le haut, dans une fonction permet d'augmenter les valeurs numériques
<DOWN>	Permet de parcourir les listes ou les menus vers le bas, dans une fonction permet de diminuer les valeurs numériques

Plan du Menu

Niveau Principal	Niveaux de Programmation	Description
Start Address	1-510*	Permet de sélectionner l'adresse de démarrage (*le canal le plus élevé est restreint à la personnalité choisie)
	1 RGB	3 canaux: RGB
Personality	1 RGB EXT	8 canaux: gradateur 16-bit, RGB, macro de couleur, température de couleur, stroboscope
	1 RGBA	4 canaux: RGBA
	1 RGBA EXT	9 canaux: gradateur 16-bit, RGBA, macro de couleur, température de couleur, stroboscope
	1 RGBAW	5 canaux: RGBAW
	1 RGBAW EXT	10 canaux: gradateur 16-bit, RGBAW, macro de couleur, température de couleur, stroboscope
	1 RGBAW FIN	10 canaux: RGBAW 16-bit
	1 RGBAW FUL	16 canaux: gradateur 16-bit, RGBAW 16-bit, macro de couleur, température de couleur, stroboscope, vitesse du gradation
	1 HSIC	8 canaux: gradateur, teinte 16-bit, saturation, stroboscope, macro de couleur, température de couleur, vitesse du gradation
	3 RGB	9 canaux (3 cellules): RGB
	3 RGB EXT	21 canaux (3 cellules): gradateur 16-bit, RGB, macro de couleur, température de couleur, stroboscope
	3 RGBA	12 canaux (3 cellules): RGBA
	3 RGBA EXT	24 canaux (3 cellules): gradateur 16-bit, RGBA, macro de couleur, température de couleur, stroboscope
	3 RGBAW	15 canaux (3 cellules): RGBAW
	3 RGBAW EXT	27 canaux (3 cellules): gradateur 16-bit, RGBAW, macro de couleur, température de couleur, stroboscope
	3 RGBAW FIN	30 canaux (3 cellules): RGBAW 16-bit
3 RGBAW FUL	43 canaux (3 cellules): gradateur 16-bit, RGBAW 16-bit, macro de couleur, température de couleur, stroboscope, vitesse du gradation	
3 HSIC	22 canaux (3 cellules): gradateur, teinte 16-bit, saturation, stroboscope, macro de couleur, température de couleur, vitesse du gradation	
Output Setting	Power Mode	Évite de dépasser la température maximale en ajustant la intensité de sortie
	Steady Mode	Utilise un intensité de sortie inférieur à un rythme constant pour éviter de dépasser la température maximale
	Legacy Mode	Correspond à la intensité de sortie du COLORado Batten 72 Tour

Niveau Principal	Niveaux de Programmation			Description	
Static Colors	Preset Colors	Color 1–14	Dimmer 0–100%	Couleurs statiques prédéfinies	
	CCT Temper	White 1–14		Températures de couleur prédéfinies	
	RGBAW	Red	Red 0–255	Combine les couleurs rouge, vert, bleu, ambre et blanc pour un résultat personnalisé	
		Green	Green 0–255		
		Blue	Blue 0–255		
Amber		Amber 0–255			
	White	White 0–255			
Auto Programs	Run	AUTO.1–10	Speed 0–100	Sélectionne les programmes automatiques et vitesse auto	
		Program 1–10			
	Edit	Program 1–10	SCENE-01–30	Red 0–255	Sélectionne et édite un programme personnalisé
				Green 0–255	
				Blue 0–255	
Amber 0–255					
			White 0–255		
Master/Slave	Master			Mode DMX (maître)	
	Slave			Mode esclave	
Dimmer Mode	OFF			Assombrissement linéaire	
	DIM1–4			Courbes de gradation DIM1 (rapide) à DIM4 (lent)	
LED Frequency	600Hz			Permet de sélectionner la fréquence de sortie MLI	
	1200Hz				
	2000Hz				
	2400Hz				
	4000Hz				
	25000Hz				
Cell Order	1 – 3			Définit l'ordre des cellules	
	3 – 1				
Setting	**** (Saisir le code d'accès))	DMX Error/ Loss	Hold Last	En cas de perte de DMX, la dernière commande se maintiendra	
			Blackout	Met l'unité en noir général en cas de perte de DMX	
		Disp TimeOut	On	Affichage rétro-éclairage toujours active	
			10s	Désactive l'affichage rétro-éclairage après 10 secondes d'inactivité	
			20s	Désactive l'affichage rétro-éclairage après 20 secondes d'inactivité	
			30s	Désactive l'affichage rétro-éclairage après 30 secondes d'inactivité	
Disp Passcode	On	Verrouillage de l'affichage (le code d'accès est <UP>, <DOWN>, <UP>, <DOWN>, <ENTER>)			
	Off				
Information	Fixture Hours		___ _ Hours	Affiche le nombre total des heures du produit	
	Firmware Vers		V_ _	Affiche la version du logiciel installée	
	RDM	UID		_____	Affiche l'ID de l'appareil
		LABEL	Batten 72X		Affiche le nom du produit pour RDM
Factory Reset	No			Permet de réinitialiser aux valeurs par défaut d'usine	
	Yes				

Valeurs DMX à 3 cellules

3 HSIC (22 canaux)

Canal	Fonction	Valeur	Pourcentage/Configuration
1	Gradateur 1	000 ⇔ 255	0–100%
2	Teinte 1	000 ⇔ 255	0–100%
3	Teinte fin 1	000 ⇔ 255	0–100%
4	Saturation 1	000 ⇔ 255	0–100%
5	Stroboscope 1	000 ⇔ 009	Pas de fonction
		010 ⇔ 099	Stroboscope, lent à rapide
		100 ⇔ 109	Pas de fonction
		110 ⇔ 179	Stroboscope à pulsation, lent à rapide
		180 ⇔ 189	Pas de fonction
		190 ⇔ 255	Stroboscope aléatoire, lent à rapide
6	Macros de couleur 1	000 ⇔ 010	Pas de fonction
		011 ⇔ 034	R: 100% G: 0–100% B: 0% A: 0% W: 0%
		035 ⇔ 059	R: 100–0% G: 100% B: 0% A: 0% W: 0%
		060 ⇔ 084	R: 0% G: 100% B: 0–100% A: 0% W: 0%
		084 ⇔ 109	R: 0% G: 100–0% B: 100% A: 0% W: 0%
		110 ⇔ 134	R: 0–100% G: 0% B: 100% A: 0% W: 0%
		134 ⇔ 159	R: 100% G: 0% B: 100–0% A: 0% W: 0%
		160 ⇔ 184	R: 100% G: 0–100% B: 0–100% A: 0% W: 0%
		184 ⇔ 209	R: 100–0% G: 100–0% B: 100% A: 0% W: 0%
		210 ⇔ 255	R: 100% G: 100% B: 100% A: 100% W: 100%
7	Températures de couleur 1	000 ⇔ 010	Pas de fonction
		011 ⇔ 028	Blanc 1
		029 ⇔ 046	Blanc 2
		047 ⇔ 064	Blanc 3
		065 ⇔ 082	Blanc 4
		083 ⇔ 100	Blanc 5
		101 ⇔ 118	Blanc 6
		119 ⇔ 136	Blanc 7
		137 ⇔ 154	Blanc 8
		155 ⇔ 172	Blanc 9
		173 ⇔ 190	Blanc 10
		191 ⇔ 208	Blanc 11
		209 ⇔ 226	Blanc 12
		227 ⇔ 244	Blanc 13
245 ⇔ 255	Blanc 14		
8	Gradateur 2	000 ⇔ 255	0–100%
9	Teinte 2	000 ⇔ 255	0–100%
10	Teinte fin 2	000 ⇔ 255	0–100%
11	Saturation 2	000 ⇔ 255	0–100%
12	Stroboscope 2	000 ⇔ 009	Pas de fonction
		010 ⇔ 099	Stroboscope, lent à rapide
		100 ⇔ 109	Pas de fonction
		110 ⇔ 179	Stroboscope à pulsation, lent à rapide
		180 ⇔ 189	Pas de fonction
		190 ⇔ 255	Stroboscope aléatoire, lent à rapide

Canal	Fonction	Valeur	Pourcentage/Configuration
13	Macros de couleur 2	000 ⇔ 010	Pas de fonction
		011 ⇔ 034	R: 100% G: 0–100% B: 0% A: 0% W: 0%
		035 ⇔ 059	R: 100–0% G: 100% B: 0% A: 0% W: 0%
		060 ⇔ 084	R: 0% G: 100% B: 0–100% A: 0% W: 0%
		084 ⇔ 109	R: 0% G: 100–0% B: 100% A: 0% W: 0%
		110 ⇔ 134	R: 0–100% G: 0% B: 100% A: 0% W: 0%
		134 ⇔ 159	R: 100% G: 0% B: 100–0% A: 0% W: 0%
		160 ⇔ 184	R: 100% G: 0–100% B: 0–100% A: 0% W: 0%
		184 ⇔ 209	R: 100–0% G: 100–0% B: 100% A: 0% W: 0%
		210 ⇔ 255	R: 100% G: 100% B: 100% A: 100% W: 100%
14	Températures de couleur 2	000 ⇔ 010	Pas de fonction
		011 ⇔ 028	Blanc 1
		029 ⇔ 046	Blanc 2
		047 ⇔ 064	Blanc 3
		065 ⇔ 082	Blanc 4
		083 ⇔ 100	Blanc 5
		101 ⇔ 118	Blanc 6
		119 ⇔ 136	Blanc 7
		137 ⇔ 154	Blanc 8
		155 ⇔ 172	Blanc 9
		173 ⇔ 190	Blanc 10
		191 ⇔ 208	Blanc 11
		209 ⇔ 226	Blanc 12
		227 ⇔ 244	Blanc 13
245 ⇔ 255	Blanc 14		
15	Gradateur 3	000 ⇔ 255	0–100%
16	Teinte 3	000 ⇔ 255	0–100%
17	Teinte fin 3	000 ⇔ 255	0–100%
18	Saturation 3	000 ⇔ 255	0–100%
19	Stroboscope 3	000 ⇔ 009	Pas de fonction
		010 ⇔ 099	Stroboscope, lent à rapide
		100 ⇔ 109	Pas de fonction
		110 ⇔ 179	Stroboscope à pulsation, lent à rapide
		180 ⇔ 189	Pas de fonction
		190 ⇔ 255	Stroboscope aléatoire, lent à rapide
20	Macros de couleur 3	000 ⇔ 010	Pas de fonction
		011 ⇔ 034	R: 100% G: 0–100% B: 0% A: 0% W: 0%
		035 ⇔ 059	R: 100–0% G: 100% B: 0% A: 0% W: 0%
		060 ⇔ 084	R: 0% G: 100% B: 0–100% A: 0% W: 0%
		084 ⇔ 109	R: 0% G: 100–0% B: 100% A: 0% W: 0%
		110 ⇔ 134	R: 0–100% G: 0% B: 100% A: 0% W: 0%
		134 ⇔ 159	R: 100% G: 0% B: 100–0% A: 0% W: 0%
		160 ⇔ 184	R: 100% G: 0–100% B: 0–100% A: 0% W: 0%
		184 ⇔ 209	R: 100–0% G: 100–0% B: 100% A: 0% W: 0%
		210 ⇔ 255	R: 100% G: 100% B: 100% A: 100% W: 100%

Canal	Fonction	Valeur	Pourcentage/Configuration
21	Températures de couleur 3	000 ⇔ 010	Pas de fonction
		011 ⇔ 028	Blanc 1
		029 ⇔ 046	Blanc 2
		047 ⇔ 064	Blanc 3
		065 ⇔ 082	Blanc 4
		083 ⇔ 100	Blanc 5
		101 ⇔ 118	Blanc 6
		119 ⇔ 136	Blanc 7
		137 ⇔ 154	Blanc 8
		155 ⇔ 172	Blanc 9
		173 ⇔ 190	Blanc 10
		191 ⇔ 208	Blanc 11
		209 ⇔ 226	Blanc 12
		227 ⇔ 244	Blanc 13
245 ⇔ 255	Blanc 14		
22	Vitesse du gradateur	000 ⇔ 009	Préréglage de vitesse d'assombrissement à partir du menu affichage
		010 ⇔ 029	Arrêt du mode de vitesse d'assombrissement
		030 ⇔ 069	Mode 1 de vitesse d'assombrissement (rapide)
		070 ⇔ 129	Mode 2 de vitesse d'assombrissement
		130 ⇔ 189	Mode 3 de vitesse d'assombrissement
		190 ⇔ 255	Mode 4 de vitesse d'assombrissement (lente)

3 RGBAW FUL (43 canaux)

Canal	Fonction	Valeur	Pourcentage/Configuration
1	Gradateur	000 ⇔ 255	0–100%
2	Gradateur fin	000 ⇔ 255	0–100%
3	Rouge 1	000 ⇔ 255	0–100%
4	Rouge fin 1	000 ⇔ 255	0–100%
5	Vert 1	000 ⇔ 255	0–100%
6	Vert fin 1	000 ⇔ 255	0–100%
7	Bleu 1	000 ⇔ 255	0–100%
8	Bleu fin 1	000 ⇔ 255	0–100%
9	Ambre 1	000 ⇔ 255	0–100%
10	Ambre fin 1	000 ⇔ 255	0–100%
11	Blanc 1	000 ⇔ 255	0–100%
12	Blanc fin 1	000 ⇔ 255	0–100%
13	Macros de couleur 1	000 ⇔ 010	Pas de fonction
		011 ⇔ 034	R: 100% G: 0–100% B: 0% A: 0% W: 0%
		035 ⇔ 059	R: 100–0% G: 100% B: 0% A: 0% W: 0%
		060 ⇔ 084	R: 0% G: 100% B: 0–100% A: 0% W: 0%
		084 ⇔ 109	R: 0% G: 100–0% B: 100% A: 0% W: 0%
		110 ⇔ 134	R: 0–100% G: 0% B: 100% A: 0% W: 0%
		134 ⇔ 159	R: 100% G: 0% B: 100–0% A: 0% W: 0%
		160 ⇔ 184	R: 100% G: 0–100% B: 0–100% A: 0% W: 0%
		184 ⇔ 209	R: 100–0% G: 100–0% B: 100% A: 0% W: 0%
210 ⇔ 255	R: 100% G: 100% B: 100% A: 100% W: 100%		

Canal	Fonction	Valeur	Pourcentage/Configuration
14	Températures de couleur 1	000 ⇔ 010	Pas de fonction
		011 ⇔ 028	Blanc 1
		029 ⇔ 046	Blanc 2
		047 ⇔ 064	Blanc 3
		065 ⇔ 082	Blanc 4
		083 ⇔ 100	Blanc 5
		101 ⇔ 118	Blanc 6
		119 ⇔ 136	Blanc 7
		137 ⇔ 154	Blanc 8
		155 ⇔ 172	Blanc 9
		173 ⇔ 190	Blanc 10
		191 ⇔ 208	Blanc 11
		209 ⇔ 226	Blanc 12
		227 ⇔ 244	Blanc 13
245 ⇔ 255	Blanc 14		
15	Stroboscope 1	000 ⇔ 009	Pas de fonction
		010 ⇔ 099	Stroboscope, lent à rapide
		100 ⇔ 109	Pas de fonction
		110 ⇔ 179	Stroboscope à pulsation, lent à rapide
		180 ⇔ 189	Pas de fonction
		190 ⇔ 255	Stroboscope aléatoire, lent à rapide
16	Rouge 2	000 ⇔ 255	0–100%
17	Rouge fin 2	000 ⇔ 255	0–100%
18	Vert 2	000 ⇔ 255	0–100%
19	Vert fin 2	000 ⇔ 255	0–100%
20	Bleu 2	000 ⇔ 255	0–100%
21	Bleu fin 2	000 ⇔ 255	0–100%
22	Ambre 2	000 ⇔ 255	0–100%
23	Ambre fin 2	000 ⇔ 255	0–100%
24	Blanc 2	000 ⇔ 255	0–100%
25	Blanc fin 2	000 ⇔ 255	0–100%
26	Macros de couleur 2	000 ⇔ 010	Pas de fonction
		011 ⇔ 034	R: 100% G: 0–100% B: 0% A: 0% W: 0%
		035 ⇔ 059	R: 100–0% G: 100% B: 0% A: 0% W: 0%
		060 ⇔ 084	R: 0% G: 100% B: 0–100% A: 0% W: 0%
		084 ⇔ 109	R: 0% G: 100–0% B: 100% A: 0% W: 0%
		110 ⇔ 134	R: 0–100% G: 0% B: 100% A: 0% W: 0%
		134 ⇔ 159	R: 100% G: 0% B: 100–0% A: 0% W: 0%
		160 ⇔ 184	R: 100% G: 0–100% B: 0–100% A: 0% W: 0%
		184 ⇔ 209	R: 100–0% G: 100–0% B: 100% A: 0% W: 0%
		210 ⇔ 255	R: 100% G: 100% B: 100% A: 100% W: 100%

Canal	Fonction	Valeur	Pourcentage/Configuration
27	Températures de couleur 2	000 ⇔ 010	Pas de fonction
		011 ⇔ 028	Blanc 1
		029 ⇔ 046	Blanc 2
		047 ⇔ 064	Blanc 3
		065 ⇔ 082	Blanc 4
		083 ⇔ 100	Blanc 5
		101 ⇔ 118	Blanc 6
		119 ⇔ 136	Blanc 7
		137 ⇔ 154	Blanc 8
		155 ⇔ 172	Blanc 9
		173 ⇔ 190	Blanc 10
		191 ⇔ 208	Blanc 11
		209 ⇔ 226	Blanc 12
		227 ⇔ 244	Blanc 13
245 ⇔ 255	Blanc 14		
28	Stroboscope 2	000 ⇔ 009	Pas de fonction
		010 ⇔ 099	Stroboscope, lent à rapide
		100 ⇔ 109	Pas de fonction
		110 ⇔ 179	Stroboscope à pulsation, lent à rapide
		180 ⇔ 189	Pas de fonction
		190 ⇔ 255	Stroboscope aléatoire, lent à rapide
29	Rouge 3	000 ⇔ 255	0-100%
30	Rouge fin 3	000 ⇔ 255	0-100%
31	Vert 3	000 ⇔ 255	0-100%
32	Vert fin 3	000 ⇔ 255	0-100%
33	Bleu 3	000 ⇔ 255	0-100%
34	Bleu fin 3	000 ⇔ 255	0-100%
35	Ambre 3	000 ⇔ 255	0-100%
36	Ambre fin 3	000 ⇔ 255	0-100%
37	Blanc 3	000 ⇔ 255	0-100%
38	Blanc fin 3	000 ⇔ 255	0-100%
39	Macros de couleur 3	000 ⇔ 010	Pas de fonction
		011 ⇔ 034	R: 100% G: 0-100% B: 0% A: 0% W: 0%
		035 ⇔ 059	R: 100-0% G: 100% B: 0% A: 0% W: 0%
		060 ⇔ 084	R: 0% G: 100% B: 0-100% A: 0% W: 0%
		084 ⇔ 109	R: 0% G: 100-0% B: 100% A: 0% W: 0%
		110 ⇔ 134	R: 0-100% G: 0% B: 100% A: 0% W: 0%
		134 ⇔ 159	R: 100% G: 0% B: 100-0% A: 0% W: 0%
		160 ⇔ 184	R: 100% G: 0-100% B: 0-100% A: 0% W: 0%
		184 ⇔ 209	R: 100-0% G: 100-0% B: 100% A: 0% W: 0%
		210 ⇔ 255	R: 100% G: 100% B: 100% A: 100% W: 100%

Canal	Fonction	Valeur	Pourcentage/Configuration
40	Températures de couleur 3	000 ⇔ 010	Pas de fonction
		011 ⇔ 028	Blanc 1
		029 ⇔ 046	Blanc 2
		047 ⇔ 064	Blanc 3
		065 ⇔ 082	Blanc 4
		083 ⇔ 100	Blanc 5
		101 ⇔ 118	Blanc 6
		119 ⇔ 136	Blanc 7
		137 ⇔ 154	Blanc 8
		155 ⇔ 172	Blanc 9
		173 ⇔ 190	Blanc 10
		191 ⇔ 208	Blanc 11
		209 ⇔ 226	Blanc 12
		227 ⇔ 244	Blanc 13
245 ⇔ 255	Blanc 14		
41	Stroboscope 3	000 ⇔ 009	Pas de fonction
		010 ⇔ 099	Stroboscope, lent à rapide
		100 ⇔ 109	Pas de fonction
		110 ⇔ 179	Stroboscope à pulsation, lent à rapide
		180 ⇔ 189	Pas de fonction
		190 ⇔ 255	Stroboscope aléatoire, lent à rapide
42	Stroboscope tout	000 ⇔ 009	Pas de fonction
		010 ⇔ 099	Stroboscope, lent à rapide
		100 ⇔ 109	Pas de fonction
		110 ⇔ 179	Stroboscope à pulsation, lent à rapide
		180 ⇔ 189	Pas de fonction
		190 ⇔ 255	Stroboscope aléatoire, lent à rapide
43	Vitesse du gradateur	000 ⇔ 009	Préréglage de vitesse d'assombrissement à partir du menu affichage
		010 ⇔ 029	Arrêt du mode de vitesse d'assombrissement
		030 ⇔ 069	Mode 1 de vitesse d'assombrissement (rapide)
		070 ⇔ 129	Mode 2 de vitesse d'assombrissement
		130 ⇔ 189	Mode 3 de vitesse d'assombrissement
		190 ⇔ 255	Mode 4 de vitesse d'assombrissement (lente)

3 RGBAW FIN (30 canaux)

Canal	Fonction	Valeur	Pourcentage/Configuration
1	Rouge 1	000 ⇔ 255	0–100%
2	Rouge fin 1	000 ⇔ 255	0–100%
3	Vert 1	000 ⇔ 255	0–100%
4	Vert fin 1	000 ⇔ 255	0–100%
5	Bleu 1	000 ⇔ 255	0–100%
6	Bleu fin 1	000 ⇔ 255	0–100%
7	Ambre 1	000 ⇔ 255	0–100%
8	Ambre fin 1	000 ⇔ 255	0–100%
9	Blanc 1	000 ⇔ 255	0–100%
10	Blanc fin 1	000 ⇔ 255	0–100%
11	Rouge 2	000 ⇔ 255	0–100%
12	Rouge fin 2	000 ⇔ 255	0–100%
13	Vert 2	000 ⇔ 255	0–100%
14	Vert fin 2	000 ⇔ 255	0–100%
15	Bleu 2	000 ⇔ 255	0–100%
16	Bleu fin 2	000 ⇔ 255	0–100%
17	Ambre 2	000 ⇔ 255	0–100%
18	Ambre fin 2	000 ⇔ 255	0–100%

Canal	Fonction	Valeur	Pourcentage/Configuration
19	Blanc 2	000 ⇔ 255	0–100%
20	Blanc fin 2	000 ⇔ 255	0–100%
21	Rouge 3	000 ⇔ 255	0–100%
22	Rouge fin 3	000 ⇔ 255	0–100%
23	Vert 3	000 ⇔ 255	0–100%
24	Vert fin 3	000 ⇔ 255	0–100%
25	Bleu 3	000 ⇔ 255	0–100%
26	Bleu fin 3	000 ⇔ 255	0–100%
27	Ambre 3	000 ⇔ 255	0–100%
28	Ambre fin 3	000 ⇔ 255	0–100%
29	Blanc 3	000 ⇔ 255	0–100%
30	Blanc fin 3	000 ⇔ 255	0–100%

3 RGBAW EXT (27 canaux)

Canal	Fonction	Valeur	Pourcentage/Configuration
1	Gradateur	000 ⇔ 255	0–100%
2	Gradateur fin	000 ⇔ 255	0–100%
3	Rouge 1	000 ⇔ 255	0–100%
4	Vert 1	000 ⇔ 255	0–100%
5	Bleu 1	000 ⇔ 255	0–100%
6	Ambre 1	000 ⇔ 255	0–100%
7	Blanc 1	000 ⇔ 255	0–100%
8	Macros de couleur 1	000 ⇔ 010	Pas de fonction
		011 ⇔ 034	R: 100% G: 0–100% B: 0% A: 0% W: 0%
		035 ⇔ 059	R: 100–0% G: 100% B: 0% A: 0% W: 0%
		060 ⇔ 084	R: 0% G: 100% B: 0–100% A: 0% W: 0%
		084 ⇔ 109	R: 0% G: 100–0% B: 100% A: 0% W: 0%
		110 ⇔ 134	R: 0–100% G: 0% B: 100% A: 0% W: 0%
		134 ⇔ 159	R: 100% G: 0% B: 100–0% A: 0% W: 0%
		160 ⇔ 184	R: 100% G: 0–100% B: 0–100% A: 0% W: 0%
184 ⇔ 209	R: 100–0% G: 100–0% B: 100% A: 0% W: 0%		
210 ⇔ 255	R: 100% G: 100% B: 100% A: 100% W: 100%		
9	Températures de couleur 1	000 ⇔ 010	Pas de fonction
		011 ⇔ 028	Blanc 1
		029 ⇔ 046	Blanc 2
		047 ⇔ 064	Blanc 3
		065 ⇔ 082	Blanc 4
		083 ⇔ 100	Blanc 5
		101 ⇔ 118	Blanc 6
		119 ⇔ 136	Blanc 7
		137 ⇔ 154	Blanc 8
		155 ⇔ 172	Blanc 9
		173 ⇔ 190	Blanc 10
		191 ⇔ 208	Blanc 11
		209 ⇔ 226	Blanc 12
		227 ⇔ 244	Blanc 13
245 ⇔ 255	Blanc 14		
10	Stroboscope 1	000 ⇔ 009	Pas de fonction
		010 ⇔ 099	Stroboscope, lent à rapide
		100 ⇔ 109	Pas de fonction
		110 ⇔ 179	Stroboscope à pulsation, lent à rapide
		180 ⇔ 189	Pas de fonction
190 ⇔ 255	Stroboscope aléatoire, lent à rapide		
11	Rouge 2	000 ⇔ 255	0–100%
12	Vert 2	000 ⇔ 255	0–100%

Canal	Fonction	Valeur	Pourcentage/Configuration
13	Bleu 2	000 ⇔ 255	0–100%
14	Ambre 2	000 ⇔ 255	0–100%
15	Blanc 2	000 ⇔ 255	0–100%
16	Macros de couleur 2	000 ⇔ 010	Pas de fonction
		011 ⇔ 034	R: 100% G: 0–100% B: 0% A: 0% W: 0%
		035 ⇔ 059	R: 100–0% G: 100% B: 0% A: 0% W: 0%
		060 ⇔ 084	R: 0% G: 100% B: 0–100% A: 0% W: 0%
		084 ⇔ 109	R: 0% G: 100–0% B: 100% A: 0% W: 0%
		110 ⇔ 134	R: 0–100% G: 0% B: 100% A: 0% W: 0%
		134 ⇔ 159	R: 100% G: 0% B: 100–0% A: 0% W: 0%
		160 ⇔ 184	R: 100% G: 0–100% B: 0–100% A: 0% W: 0%
		184 ⇔ 209	R: 100–0% G: 100–0% B: 100% A: 0% W: 0%
		210 ⇔ 255	R: 100% G: 100% B: 100% A: 100% W: 100%
17	Températures de couleur 2	000 ⇔ 010	Pas de fonction
		011 ⇔ 028	Blanc 1
		029 ⇔ 046	Blanc 2
		047 ⇔ 064	Blanc 3
		065 ⇔ 082	Blanc 4
		083 ⇔ 100	Blanc 5
		101 ⇔ 118	Blanc 6
		119 ⇔ 136	Blanc 7
		137 ⇔ 154	Blanc 8
		155 ⇔ 172	Blanc 9
		173 ⇔ 190	Blanc 10
		191 ⇔ 208	Blanc 11
		209 ⇔ 226	Blanc 12
		227 ⇔ 244	Blanc 13
245 ⇔ 255	Blanc 14		
18	Stroboscope 2	000 ⇔ 009	Pas de fonction
		010 ⇔ 099	Stroboscope, lent à rapide
		100 ⇔ 109	Pas de fonction
		110 ⇔ 179	Stroboscope à pulsation, lent à rapide
		180 ⇔ 189	Pas de fonction
		190 ⇔ 255	Stroboscope aléatoire, lent à rapide
19	Rouge 3	000 ⇔ 255	0–100%
20	Vert 3	000 ⇔ 255	0–100%
21	Bleu 3	000 ⇔ 255	0–100%
22	Ambre 3	000 ⇔ 255	0–100%
23	Blanc 3	000 ⇔ 255	0–100%
24	Macros de couleur 3	000 ⇔ 010	Pas de fonction
		011 ⇔ 034	R: 100% G: 0–100% B: 0% A: 0% W: 0%
		035 ⇔ 059	R: 100–0% G: 100% B: 0% A: 0% W: 0%
		060 ⇔ 084	R: 0% G: 100% B: 0–100% A: 0% W: 0%
		084 ⇔ 109	R: 0% G: 100–0% B: 100% A: 0% W: 0%
		110 ⇔ 134	R: 0–100% G: 0% B: 100% A: 0% W: 0%
		134 ⇔ 159	R: 100% G: 0% B: 100–0% A: 0% W: 0%
		160 ⇔ 184	R: 100% G: 0–100% B: 0–100% A: 0% W: 0%
		184 ⇔ 209	R: 100–0% G: 100–0% B: 100% A: 0% W: 0%
		210 ⇔ 255	R: 100% G: 100% B: 100% A: 100% W: 100%

Canal	Fonction	Valeur	Pourcentage/Configuration
25	Températures de couleur 3	000 ⇔ 010	Pas de fonction
		011 ⇔ 028	Blanc 1
		029 ⇔ 046	Blanc 2
		047 ⇔ 064	Blanc 3
		065 ⇔ 082	Blanc 4
		083 ⇔ 100	Blanc 5
		101 ⇔ 118	Blanc 6
		119 ⇔ 136	Blanc 7
		137 ⇔ 154	Blanc 8
		155 ⇔ 172	Blanc 9
		173 ⇔ 190	Blanc 10
		191 ⇔ 208	Blanc 11
		209 ⇔ 226	Blanc 12
		227 ⇔ 244	Blanc 13
245 ⇔ 255	Blanc 14		
26	Stroboscope 3	000 ⇔ 009	Pas de fonction
		010 ⇔ 099	Stroboscope, lent à rapide
		100 ⇔ 109	Pas de fonction
		110 ⇔ 179	Stroboscope à pulsation, lent à rapide
		180 ⇔ 189	Pas de fonction
		190 ⇔ 255	Stroboscope aléatoire, lent à rapide
27	Stroboscope tout	000 ⇔ 009	Pas de fonction
		010 ⇔ 099	Stroboscope, lent à rapide
		100 ⇔ 109	Pas de fonction
		110 ⇔ 179	Stroboscope à pulsation, lent à rapide
		180 ⇔ 189	Pas de fonction
		190 ⇔ 255	Stroboscope aléatoire, lent à rapide

3 RGBAW (15 canaux)

Canal	Fonction	Valeur	Pourcentage/Configuration
1	Rouge 1	000 ⇔ 255	0–100%
2	Vert 1	000 ⇔ 255	0–100%
3	Bleu 1	000 ⇔ 255	0–100%
4	Ambre 1	000 ⇔ 255	0–100%
5	Blanc 1	000 ⇔ 255	0–100%
6	Rouge 2	000 ⇔ 255	0–100%
7	Vert 2	000 ⇔ 255	0–100%
8	Bleu 2	000 ⇔ 255	0–100%
9	Ambre 2	000 ⇔ 255	0–100%
10	Blanc 2	000 ⇔ 255	0–100%
11	Rouge 3	000 ⇔ 255	0–100%
12	Vert 3	000 ⇔ 255	0–100%
13	Bleu 3	000 ⇔ 255	0–100%
14	Ambre 3	000 ⇔ 255	0–100%
15	Blanc 3	000 ⇔ 255	0–100%

3 RGBA EXT (24 canaux)

Canal	Fonction	Valeur	Pourcentage/Configuration
1	Gradateur	000 ⇔ 255	0–100%
2	Gradateur fin	000 ⇔ 255	0–100%
3	Rouge 1	000 ⇔ 255	0–100%
4	Vert 1	000 ⇔ 255	0–100%
5	Bleu 1	000 ⇔ 255	0–100%
6	Ambre 1	000 ⇔ 255	0–100%

Canal	Fonction	Valeur	Pourcentage/Configuration
7	Macros de couleur 1	000 ⇔ 010	Pas de fonction
		011 ⇔ 034	R: 100% G: 0–100% B: 0% A: 0% W: 0%
		035 ⇔ 059	R: 100–0% G: 100% B: 0% A: 0% W: 0%
		060 ⇔ 084	R: 0% G: 100% B: 0–100% A: 0% W: 0%
		084 ⇔ 109	R: 0% G: 100–0% B: 100% A: 0% W: 0%
		110 ⇔ 134	R: 0–100% G: 0% B: 100% A: 0% W: 0%
		134 ⇔ 159	R: 100% G: 0% B: 100–0% A: 0% W: 0%
		160 ⇔ 184	R: 100% G: 0–100% B: 0–100% A: 0% W: 0%
		184 ⇔ 209	R: 100–0% G: 100–0% B: 100% A: 0% W: 0%
		210 ⇔ 255	R: 100% G: 100% B: 100% A: 100% W: 100%
8	Températures de couleur 1	000 ⇔ 010	Pas de fonction
		011 ⇔ 028	Blanc 1
		029 ⇔ 046	Blanc 2
		047 ⇔ 064	Blanc 3
		065 ⇔ 082	Blanc 4
		083 ⇔ 100	Blanc 5
		101 ⇔ 118	Blanc 6
		119 ⇔ 136	Blanc 7
		137 ⇔ 154	Blanc 8
		155 ⇔ 172	Blanc 9
		173 ⇔ 190	Blanc 10
		191 ⇔ 208	Blanc 11
		209 ⇔ 226	Blanc 12
		227 ⇔ 244	Blanc 13
245 ⇔ 255	Blanc 14		
9	Stroboscope 1	000 ⇔ 009	Pas de fonction
		010 ⇔ 099	Stroboscope, lent à rapide
		100 ⇔ 109	Pas de fonction
		110 ⇔ 179	Stroboscope à pulsation, lent à rapide
		180 ⇔ 189	Pas de fonction
		190 ⇔ 255	Stroboscope aléatoire, lent à rapide
10	Rouge 2	000 ⇔ 255	0–100%
11	Vert 2	000 ⇔ 255	0–100%
12	Bleu 2	000 ⇔ 255	0–100%
13	Ambre 2	000 ⇔ 255	0–100%
14	Macros de couleur 2	000 ⇔ 010	Pas de fonction
		011 ⇔ 034	R: 100% G: 0–100% B: 0% A: 0% W: 0%
		035 ⇔ 059	R: 100–0% G: 100% B: 0% A: 0% W: 0%
		060 ⇔ 084	R: 0% G: 100% B: 0–100% A: 0% W: 0%
		084 ⇔ 109	R: 0% G: 100–0% B: 100% A: 0% W: 0%
		110 ⇔ 134	R: 0–100% G: 0% B: 100% A: 0% W: 0%
		134 ⇔ 159	R: 100% G: 0% B: 100–0% A: 0% W: 0%
		160 ⇔ 184	R: 100% G: 0–100% B: 0–100% A: 0% W: 0%
		184 ⇔ 209	R: 100–0% G: 100–0% B: 100% A: 0% W: 0%
		210 ⇔ 255	R: 100% G: 100% B: 100% A: 100% W: 100%

Canal	Fonction	Valeur	Pourcentage/Configuration
15	Températures de couleur 2	000 ⇔ 010	Pas de fonction
		011 ⇔ 028	Blanc 1
		029 ⇔ 046	Blanc 2
		047 ⇔ 064	Blanc 3
		065 ⇔ 082	Blanc 4
		083 ⇔ 100	Blanc 5
		101 ⇔ 118	Blanc 6
		119 ⇔ 136	Blanc 7
		137 ⇔ 154	Blanc 8
		155 ⇔ 172	Blanc 9
		173 ⇔ 190	Blanc 10
		191 ⇔ 208	Blanc 11
		209 ⇔ 226	Blanc 12
		227 ⇔ 244	Blanc 13
245 ⇔ 255	Blanc 14		
16	Stroboscope 2	000 ⇔ 009	Pas de fonction
		010 ⇔ 099	Stroboscope, lent à rapide
		100 ⇔ 109	Pas de fonction
		110 ⇔ 179	Stroboscope à pulsation, lent à rapide
		180 ⇔ 189	Pas de fonction
		190 ⇔ 255	Stroboscope aléatoire, lent à rapide
17	Rouge 3	000 ⇔ 255	0–100%
18	Vert 3	000 ⇔ 255	0–100%
19	Bleu 3	000 ⇔ 255	0–100%
20	Ambre 3	000 ⇔ 255	0–100%
21	Macros de couleur 3	000 ⇔ 010	Pas de fonction
		011 ⇔ 034	R: 100% G: 0–100% B: 0% A: 0% W: 0%
		035 ⇔ 059	R: 100–0% G: 100% B: 0% A: 0% W: 0%
		060 ⇔ 084	R: 0% G: 100% B: 0–100% A: 0% W: 0%
		084 ⇔ 109	R: 0% G: 100–0% B: 100% A: 0% W: 0%
		110 ⇔ 134	R: 0–100% G: 0% B: 100% A: 0% W: 0%
		134 ⇔ 159	R: 100% G: 0% B: 100–0% A: 0% W: 0%
		160 ⇔ 184	R: 100% G: 0–100% B: 0–100% A: 0% W: 0%
		184 ⇔ 209	R: 100–0% G: 100–0% B: 100% A: 0% W: 0%
		210 ⇔ 255	R: 100% G: 100% B: 100% A: 100% W: 100%
22	Températures de couleur 3	000 ⇔ 010	Pas de fonction
		011 ⇔ 028	Blanc 1
		029 ⇔ 046	Blanc 2
		047 ⇔ 064	Blanc 3
		065 ⇔ 082	Blanc 4
		083 ⇔ 100	Blanc 5
		101 ⇔ 118	Blanc 6
		119 ⇔ 136	Blanc 7
		137 ⇔ 154	Blanc 8
		155 ⇔ 172	Blanc 9
		173 ⇔ 190	Blanc 10
		191 ⇔ 208	Blanc 11
		209 ⇔ 226	Blanc 12
		227 ⇔ 244	Blanc 13
245 ⇔ 255	Blanc 14		

Canal	Fonction	Valeur	Pourcentage/Configuration
23	Stroboscope 3	000 ⇔ 009	Pas de fonction
		010 ⇔ 099	Stroboscope, lent à rapide
		100 ⇔ 109	Pas de fonction
		110 ⇔ 179	Stroboscope à pulsation, lent à rapide
		180 ⇔ 189	Pas de fonction
		190 ⇔ 255	Stroboscope aléatoire, lent à rapide
24	Stroboscope tout	000 ⇔ 009	Pas de fonction
		010 ⇔ 099	Stroboscope, lent à rapide
		100 ⇔ 109	Pas de fonction
		110 ⇔ 179	Stroboscope à pulsation, lent à rapide
		180 ⇔ 189	Pas de fonction
		190 ⇔ 255	Stroboscope aléatoire, lent à rapide

3 RGBA (12 canaux)

Canal	Fonction	Valeur	Pourcentage/Configuration
1	Rouge 1	000 ⇔ 255	0–100%
2	Vert 1	000 ⇔ 255	0–100%
3	Bleu 1	000 ⇔ 255	0–100%
4	Ambre 1	000 ⇔ 255	0–100%
5	Rouge 2	000 ⇔ 255	0–100%
6	Vert 2	000 ⇔ 255	0–100%
7	Bleu 2	000 ⇔ 255	0–100%
8	Ambre 2	000 ⇔ 255	0–100%
9	Rouge 3	000 ⇔ 255	0–100%
10	Vert 3	000 ⇔ 255	0–100%
11	Bleu 3	000 ⇔ 255	0–100%
12	Ambre 3	000 ⇔ 255	0–100%

3 RGB EXT (21 canaux)

Canal	Fonction	Valeur	Pourcentage/Configuration
1	Gradateur	000 ⇔ 255	0–100%
2	Gradateur fin	000 ⇔ 255	0–100%
3	Rouge 1	000 ⇔ 255	0–100%
4	Vert 1	000 ⇔ 255	0–100%
5	Bleu 1	000 ⇔ 255	0–100%
6	Macros de couleur 1	000 ⇔ 010	Pas de fonction
		011 ⇔ 034	R: 100% G: 0–100% B: 0% A: 0% W: 0%
		035 ⇔ 059	R: 100–0% G: 100% B: 0% A: 0% W: 0%
		060 ⇔ 084	R: 0% G: 100% B: 0–100% A: 0% W: 0%
		084 ⇔ 109	R: 0% G: 100–0% B: 100% A: 0% W: 0%
		110 ⇔ 134	R: 0–100% G: 0% B: 100% A: 0% W: 0%
		134 ⇔ 159	R: 100% G: 0% B: 100–0% A: 0% W: 0%
		160 ⇔ 184	R: 100% G: 0–100% B: 0–100% A: 0% W: 0%
		184 ⇔ 209	R: 100–0% G: 100–0% B: 100% A: 0% W: 0%
210 ⇔ 255	R: 100% G: 100% B: 100% A: 100% W: 100%		

Canal	Fonction	Valeur	Pourcentage/Configuration
7	Températures de couleur 1	000 ⇔ 010	Pas de fonction
		011 ⇔ 028	Blanc 1
		029 ⇔ 046	Blanc 2
		047 ⇔ 064	Blanc 3
		065 ⇔ 082	Blanc 4
		083 ⇔ 100	Blanc 5
		101 ⇔ 118	Blanc 6
		119 ⇔ 136	Blanc 7
		137 ⇔ 154	Blanc 8
		155 ⇔ 172	Blanc 9
		173 ⇔ 190	Blanc 10
		191 ⇔ 208	Blanc 11
		209 ⇔ 226	Blanc 12
		227 ⇔ 244	Blanc 13
245 ⇔ 255	Blanc 14		
8	Stroboscope 1	000 ⇔ 009	Pas de fonction
		010 ⇔ 099	Stroboscope, lent à rapide
		100 ⇔ 109	Pas de fonction
		110 ⇔ 179	Stroboscope à pulsation, lent à rapide
		180 ⇔ 189	Pas de fonction
		190 ⇔ 255	Stroboscope aléatoire, lent à rapide
9	Rouge 2	000 ⇔ 255	0-100%
10	Vert 2	000 ⇔ 255	0-100%
11	Bleu 2	000 ⇔ 255	0-100%
12	Macros de couleur 2	000 ⇔ 010	Pas de fonction
		011 ⇔ 034	R: 100% G: 0-100% B: 0% A: 0% W: 0%
		035 ⇔ 059	R: 100-0% G: 100% B: 0% A: 0% W: 0%
		060 ⇔ 084	R: 0% G: 100% B: 0-100% A: 0% W: 0%
		084 ⇔ 109	R: 0% G: 100-0% B: 100% A: 0% W: 0%
		110 ⇔ 134	R: 0-100% G: 0% B: 100% A: 0% W: 0%
		134 ⇔ 159	R: 100% G: 0% B: 100-0% A: 0% W: 0%
		160 ⇔ 184	R: 100% G: 0-100% B: 0-100% A: 0% W: 0%
		184 ⇔ 209	R: 100-0% G: 100-0% B: 100% A: 0% W: 0%
		210 ⇔ 255	R: 100% G: 100% B: 100% A: 100% W: 100%
13	Températures de couleur 2	000 ⇔ 010	Pas de fonction
		011 ⇔ 028	Blanc 1
		029 ⇔ 046	Blanc 2
		047 ⇔ 064	Blanc 3
		065 ⇔ 082	Blanc 4
		083 ⇔ 100	Blanc 5
		101 ⇔ 118	Blanc 6
		119 ⇔ 136	Blanc 7
		137 ⇔ 154	Blanc 8
		155 ⇔ 172	Blanc 9
		173 ⇔ 190	Blanc 10
		191 ⇔ 208	Blanc 11
		209 ⇔ 226	Blanc 12
		227 ⇔ 244	Blanc 13
245 ⇔ 255	Blanc 14		
14	Stroboscope 2	000 ⇔ 009	Pas de fonction
		010 ⇔ 099	Stroboscope, lent à rapide
		100 ⇔ 109	Pas de fonction
		110 ⇔ 179	Stroboscope à pulsation, lent à rapide
		180 ⇔ 189	Pas de fonction
		190 ⇔ 255	Stroboscope aléatoire, lent à rapide

Canal	Fonction	Valeur	Pourcentage/Configuration
15	Rouge 3	000 ⇔ 255	0–100%
16	Vert 3	000 ⇔ 255	0–100%
17	Bleu 3	000 ⇔ 255	0–100%
18	Macros de couleur 3	000 ⇔ 010	Pas de fonction
		011 ⇔ 034	R: 100% G: 0–100% B: 0% A: 0% W: 0%
		035 ⇔ 059	R: 100–0% G: 100% B: 0% A: 0% W: 0%
		060 ⇔ 084	R: 0% G: 100% B: 0–100% A: 0% W: 0%
		084 ⇔ 109	R: 0% G: 100–0% B: 100% A: 0% W: 0%
		110 ⇔ 134	R: 0–100% G: 0% B: 100% A: 0% W: 0%
		134 ⇔ 159	R: 100% G: 0% B: 100–0% A: 0% W: 0%
		160 ⇔ 184	R: 100% G: 0–100% B: 0–100% A: 0% W: 0%
		184 ⇔ 209	R: 100–0% G: 100–0% B: 100% A: 0% W: 0%
		210 ⇔ 255	R: 100% G: 100% B: 100% A: 100% W: 100%
19	Températures de couleur 3	000 ⇔ 010	Pas de fonction
		011 ⇔ 028	Blanc 1
		029 ⇔ 046	Blanc 2
		047 ⇔ 064	Blanc 3
		065 ⇔ 082	Blanc 4
		083 ⇔ 100	Blanc 5
		101 ⇔ 118	Blanc 6
		119 ⇔ 136	Blanc 7
		137 ⇔ 154	Blanc 8
		155 ⇔ 172	Blanc 9
		173 ⇔ 190	Blanc 10
		191 ⇔ 208	Blanc 11
		209 ⇔ 226	Blanc 12
		227 ⇔ 244	Blanc 13
245 ⇔ 255	Blanc 14		
20	Stroboscope 3	000 ⇔ 009	Pas de fonction
		010 ⇔ 099	Stroboscope, lent à rapide
		100 ⇔ 109	Pas de fonction
		110 ⇔ 179	Stroboscope à pulsation, lent à rapide
		180 ⇔ 189	Pas de fonction
		190 ⇔ 255	Stroboscope aléatoire, lent à rapide
21	Stroboscope tout	000 ⇔ 009	Pas de fonction
		010 ⇔ 099	Stroboscope, lent à rapide
		100 ⇔ 109	Pas de fonction
		110 ⇔ 179	Stroboscope à pulsation, lent à rapide
		180 ⇔ 189	Pas de fonction
		190 ⇔ 255	Stroboscope aléatoire, lent à rapide

3 RGB (9 canaux)

Canal	Fonction	Valeur	Pourcentage/Configuration
1	Rouge 1	000 ⇔ 255	0–100%
2	Vert 1	000 ⇔ 255	0–100%
3	Bleu 1	000 ⇔ 255	0–100%
4	Rouge 2	000 ⇔ 255	0–100%
5	Vert 2	000 ⇔ 255	0–100%
6	Bleu 2	000 ⇔ 255	0–100%
7	Rouge 3	000 ⇔ 255	0–100%
8	Vert 3	000 ⇔ 255	0–100%
9	Bleu 3	000 ⇔ 255	0–100%

FR

DMX Valeurs à 1 cellule

1 HSIC (8 canaux)

Canal	Fonction	Valeur	Pourcentage/Configuration
1	Gradateur	000 ⇔ 255	0–100%
2	Teinte	000 ⇔ 255	0–100%
3	Teinte fin	000 ⇔ 255	0–100%
4	Saturation	000 ⇔ 255	0–100%
5	Stroboscope	000 ⇔ 009	Pas de fonction
		010 ⇔ 099	Stroboscope, lent à rapide
		100 ⇔ 109	Pas de fonction
		110 ⇔ 179	Stroboscope à pulsation, lent à rapide
		180 ⇔ 189	Pas de fonction
		190 ⇔ 255	Stroboscope aléatoire, lent à rapide
6	Macros de couleur	000 ⇔ 010	Pas de fonction
		011 ⇔ 034	R: 100% G: 0–100% B: 0% A: 0% W: 0%
		035 ⇔ 059	R: 100–0% G: 100% B: 0% A: 0% W: 0%
		060 ⇔ 084	R: 0% G: 100% B: 0–100% A: 0% W: 0%
		084 ⇔ 109	R: 0% G: 100–0% B: 100% A: 0% W: 0%
		110 ⇔ 134	R: 0–100% G: 0% B: 100% A: 0% W: 0%
		134 ⇔ 159	R: 100% G: 0% B: 100–0% A: 0% W: 0%
		160 ⇔ 184	R: 100% G: 0–100% B: 0–100% A: 0% W: 0%
		184 ⇔ 209	R: 100–0% G: 100–0% B: 100% A: 0% W: 0%
		210 ⇔ 255	R: 100% G: 100% B: 100% A: 100% W: 100%
7	Températures de couleur	000 ⇔ 010	Pas de fonction
		011 ⇔ 028	Blanc 1
		029 ⇔ 046	Blanc 2
		047 ⇔ 064	Blanc 3
		065 ⇔ 082	Blanc 4
		083 ⇔ 100	Blanc 5
		101 ⇔ 118	Blanc 6
		119 ⇔ 136	Blanc 7
		137 ⇔ 154	Blanc 8
		155 ⇔ 172	Blanc 9
		173 ⇔ 190	Blanc 10
		191 ⇔ 208	Blanc 11
		209 ⇔ 226	Blanc 12
		227 ⇔ 244	Blanc 13
245 ⇔ 255	Blanc 14		
8	Vitesse du gradateur	000 ⇔ 009	Préréglage de vitesse d'assombrissement à partir du menu affichage
		010 ⇔ 029	Arrêt du mode de vitesse d'assombrissement
		030 ⇔ 069	Mode 1 de vitesse d'assombrissement (rapide)
		070 ⇔ 129	Mode 2 de vitesse d'assombrissement
		130 ⇔ 189	Mode 3 de vitesse d'assombrissement
		190 ⇔ 255	Mode 4 de vitesse d'assombrissement (lente)

1 RGBAW FUL (16 canaux)

Canal	Fonction	Valeur	Pourcentage/Configuration
1	Gradateur	000 ⇔ 255	0–100%
2	Gradateur fin	000 ⇔ 255	0–100%
3	Rouge	000 ⇔ 255	0–100%
4	Rouge fin	000 ⇔ 255	0–100%
5	Vert	000 ⇔ 255	0–100%
6	Vert fin	000 ⇔ 255	0–100%
7	Bleu	000 ⇔ 255	0–100%
8	Bleu fin	000 ⇔ 255	0–100%

Canal	Fonction	Valeur	Pourcentage/Configuration
9	Ambre	000 ⇔ 255	0–100%
10	Ambre fin	000 ⇔ 255	0–100%
11	Blanc	000 ⇔ 255	0–100%
12	Blanc fin	000 ⇔ 255	0–100%
13	Macros de couleur	000 ⇔ 010	Pas de fonction
		011 ⇔ 034	R: 100% G: 0–100% B: 0% A: 0% W: 0%
		035 ⇔ 059	R: 100–0% G: 100% B: 0% A: 0% W: 0%
		060 ⇔ 084	R: 0% G: 100% B: 0–100% A: 0% W: 0%
		084 ⇔ 109	R: 0% G: 100–0% B: 100% A: 0% W: 0%
		110 ⇔ 134	R: 0–100% G: 0% B: 100% A: 0% W: 0%
		134 ⇔ 159	R: 100% G: 0% B: 100–0% A: 0% W: 0%
		160 ⇔ 184	R: 100% G: 0–100% B: 0–100% A: 0% W: 0%
		184 ⇔ 209	R: 100–0% G: 100–0% B: 100% A: 0% W: 0%
		210 ⇔ 255	R: 100% G: 100% B: 100% A: 100% W: 100%
14	Températures de couleur	000 ⇔ 010	Pas de fonction
		011 ⇔ 028	Blanc 1
		029 ⇔ 046	Blanc 2
		047 ⇔ 064	Blanc 3
		065 ⇔ 082	Blanc 4
		083 ⇔ 100	Blanc 5
		101 ⇔ 118	Blanc 6
		119 ⇔ 136	Blanc 7
		137 ⇔ 154	Blanc 8
		155 ⇔ 172	Blanc 9
		173 ⇔ 190	Blanc 10
		191 ⇔ 208	Blanc 11
		209 ⇔ 226	Blanc 12
		227 ⇔ 244	Blanc 13
		245 ⇔ 255	Blanc 14
15	Stroboscope	000 ⇔ 009	Pas de fonction
		010 ⇔ 099	Stroboscope, lent à rapide
		100 ⇔ 109	Pas de fonction
		110 ⇔ 179	Stroboscope à pulsation, lent à rapide
		180 ⇔ 189	Pas de fonction
		190 ⇔ 255	Stroboscope aléatoire, lent à rapide
16	Vitesse du gradateur	000 ⇔ 009	Préréglage de vitesse d'assombrissement à partir du menu affichage
		010 ⇔ 029	Arrêt du mode de vitesse d'assombrissement
		030 ⇔ 069	Mode 1 de vitesse d'assombrissement (rapide)
		070 ⇔ 129	Mode 2 de vitesse d'assombrissement
		130 ⇔ 189	Mode 3 de vitesse d'assombrissement
		190 ⇔ 255	Mode 4 de vitesse d'assombrissement (lente)

1 RGBAW FIN (10 canaux)

Canal	Fonction	Valeur	Pourcentage/Configuration
1	Rouge	000 ⇔ 255	0–100%
2	Rouge fin	000 ⇔ 255	0–100%
3	Vert	000 ⇔ 255	0–100%
4	Vert fin	000 ⇔ 255	0–100%
5	Bleu	000 ⇔ 255	0–100%
6	Bleu fin	000 ⇔ 255	0–100%
7	Ambre	000 ⇔ 255	0–100%
8	Ambre fin	000 ⇔ 255	0–100%
9	Blanc	000 ⇔ 255	0–100%
10	Blanc fin	000 ⇔ 255	0–100%

1 RGBAW EXT (10 canaux)

Canal	Fonction	Valeur	Pourcentage/Configuration
1	Gradateur	000 ⇄ 255	0–100%
2	Gradateur fin	000 ⇄ 255	0–100%
3	Rouge	000 ⇄ 255	0–100%
4	Vert	000 ⇄ 255	0–100%
5	Bleu	000 ⇄ 255	0–100%
6	Ambre	000 ⇄ 255	0–100%
7	Blanc	000 ⇄ 255	0–100%
8	Macros de couleur	000 ⇄ 010	Pas de fonction
		011 ⇄ 034	R: 100% G: 0–100% B: 0% A: 0% W: 0%
		035 ⇄ 059	R: 100–0% G: 100% B: 0% A: 0% W: 0%
		060 ⇄ 084	R: 0% G: 100% B: 0–100% A: 0% W: 0%
		084 ⇄ 109	R: 0% G: 100–0% B: 100% A: 0% W: 0%
		110 ⇄ 134	R: 0–100% G: 0% B: 100% A: 0% W: 0%
		134 ⇄ 159	R: 100% G: 0% B: 100–0% A: 0% W: 0%
		160 ⇄ 184	R: 100% G: 0–100% B: 0–100% A: 0% W: 0%
		184 ⇄ 209	R: 100–0% G: 100–0% B: 100% A: 0% W: 0%
210 ⇄ 255	R: 100% G: 100% B: 100% A: 100% W: 100%		
9	Températures de couleur	000 ⇄ 010	Pas de fonction
		011 ⇄ 028	Blanc 1
		029 ⇄ 046	Blanc 2
		047 ⇄ 064	Blanc 3
		065 ⇄ 082	Blanc 4
		083 ⇄ 100	Blanc 5
		101 ⇄ 118	Blanc 6
		119 ⇄ 136	Blanc 7
		137 ⇄ 154	Blanc 8
		155 ⇄ 172	Blanc 9
		173 ⇄ 190	Blanc 10
		191 ⇄ 208	Blanc 11
		209 ⇄ 226	Blanc 12
		227 ⇄ 244	Blanc 13
245 ⇄ 255	Blanc 14		
10	Stroboscope	000 ⇄ 009	Pas de fonction
		010 ⇄ 099	Stroboscope, lent à rapide
		100 ⇄ 109	Pas de fonction
		110 ⇄ 179	Stroboscope à pulsation, lent à rapide
		180 ⇄ 189	Pas de fonction
		190 ⇄ 255	Stroboscope aléatoire, lent à rapide

1 RGBAW (5 canaux)

Canal	Fonction	Valeur	Pourcentage/Configuration
1	Rouge	000 ⇄ 255	0–100%
2	Vert	000 ⇄ 255	0–100%
3	Bleu	000 ⇄ 255	0–100%
4	Ambre	000 ⇄ 255	0–100%
5	Blanc	000 ⇄ 255	0–100%

1 RGBA EXT (9 canaux)

Canal	Fonction	Valeur	Pourcentage/Configuration
1	Gradateur	000 ⇄ 255	0–100%
2	Gradateur fin	000 ⇄ 255	0–100%
3	Rouge	000 ⇄ 255	0–100%

Canal	Fonction	Valeur	Pourcentage/Configuration
4	Vert	000 ⇔ 255	0–100%
5	Bleu	000 ⇔ 255	0–100%
6	Ambre	000 ⇔ 255	0–100%
7	Macros de couleur	000 ⇔ 010	Pas de fonction
		011 ⇔ 034	R: 100% G: 0–100% B: 0% A: 0% W: 0%
		035 ⇔ 059	R: 100–0% G: 100% B: 0% A: 0% W: 0%
		060 ⇔ 084	R: 0% G: 100% B: 0–100% A: 0% W: 0%
		084 ⇔ 109	R: 0% G: 100–0% B: 100% A: 0% W: 0%
		110 ⇔ 134	R: 0–100% G: 0% B: 100% A: 0% W: 0%
		134 ⇔ 159	R: 100% G: 0% B: 100–0% A: 0% W: 0%
		160 ⇔ 184	R: 100% G: 0–100% B: 0–100% A: 0% W: 0%
		184 ⇔ 209	R: 100–0% G: 100–0% B: 100% A: 0% W: 0%
		210 ⇔ 255	R: 100% G: 100% B: 100% A: 100% W: 100%
8	Températures de couleur	000 ⇔ 010	Pas de fonction
		011 ⇔ 028	Blanc 1
		029 ⇔ 046	Blanc 2
		047 ⇔ 064	Blanc 3
		065 ⇔ 082	Blanc 4
		083 ⇔ 100	Blanc 5
		101 ⇔ 118	Blanc 6
		119 ⇔ 136	Blanc 7
		137 ⇔ 154	Blanc 8
		155 ⇔ 172	Blanc 9
		173 ⇔ 190	Blanc 10
		191 ⇔ 208	Blanc 11
		209 ⇔ 226	Blanc 12
		227 ⇔ 244	Blanc 13
245 ⇔ 255	Blanc 14		
9	Stroboscope	000 ⇔ 009	Pas de fonction
		010 ⇔ 099	Stroboscope, lent à rapide
		100 ⇔ 109	Pas de fonction
		110 ⇔ 179	Stroboscope à pulsation, lent à rapide
		180 ⇔ 189	Pas de fonction
		190 ⇔ 255	Stroboscope aléatoire, lent à rapide

1 RGBA (4 canaux)

Canal	Fonction	Valeur	Pourcentage/Configuration
1	Rouge	000 ⇔ 255	0–100%
2	Vert	000 ⇔ 255	0–100%
3	Bleu	000 ⇔ 255	0–100%
4	Ambre	000 ⇔ 255	0–100%

1 RGB EXT (8 canaux)

Canal	Fonction	Valeur	Pourcentage/Configuration
1	Gradateur	000 ⇔ 255	0–100%
2	Gradateur fin	000 ⇔ 255	0–100%
3	Rouge	000 ⇔ 255	0–100%
4	Vert	000 ⇔ 255	0–100%
5	Bleu	000 ⇔ 255	0–100%

Canal	Fonction	Valeur	Pourcentage/Configuration
6	Macros de couleur	000 ⇔ 010	Pas de fonction
		011 ⇔ 034	R: 100% G: 0–100% B: 0% A: 0% W: 0%
		035 ⇔ 059	R: 100–0% G: 100% B: 0% A: 0% W: 0%
		060 ⇔ 084	R: 0% G: 100% B: 0–100% A: 0% W: 0%
		084 ⇔ 109	R: 0% G: 100–0% B: 100% A: 0% W: 0%
		110 ⇔ 134	R: 0–100% G: 0% B: 100% A: 0% W: 0%
		134 ⇔ 159	R: 100% G: 0% B: 100–0% A: 0% W: 0%
		160 ⇔ 184	R: 100% G: 0–100% B: 0–100% A: 0% W: 0%
		184 ⇔ 209	R: 100–0% G: 100–0% B: 100% A: 0% W: 0%
		210 ⇔ 255	R: 100% G: 100% B: 100% A: 100% W: 100%
7	Températures de couleur	000 ⇔ 010	Pas de fonction
		011 ⇔ 028	Blanc 1
		029 ⇔ 046	Blanc 2
		047 ⇔ 064	Blanc 3
		065 ⇔ 082	Blanc 4
		083 ⇔ 100	Blanc 5
		101 ⇔ 118	Blanc 6
		119 ⇔ 136	Blanc 7
		137 ⇔ 154	Blanc 8
		155 ⇔ 172	Blanc 9
		173 ⇔ 190	Blanc 10
		191 ⇔ 208	Blanc 11
		209 ⇔ 226	Blanc 12
		227 ⇔ 244	Blanc 13
		245 ⇔ 255	Blanc 14
8	Stroboscope	000 ⇔ 009	Pas de fonction
		010 ⇔ 099	Stroboscope, lent à rapide
		100 ⇔ 109	Pas de fonction
		110 ⇔ 179	Stroboscope à pulsation, lent à rapide
		180 ⇔ 189	Pas de fonction
		190 ⇔ 255	Stroboscope aléatoire, lent à rapide

1 RGB (3 canaux)

Canal	Fonction	Valeur	Pourcentage/Configuration
1	Rouge	000 ⇔ 255	0–100%
2	Vert	000 ⇔ 255	0–100%
3	Bleu	000 ⇔ 255	0–100%

Über diese Schnellanleitung

In der Schnellanleitung des COLORado Batten 72X finden Sie die wesentlichen Produktinformationen, wie etwa über die Montage, Menüoptionen und DMX-Werte des Geräts. Laden Sie für weiterführende Informationen unter www.chauvetprofessional.com das Benutzerhandbuch herunter.

Haftungsausschluss

Die in dieser Anleitung aufgeführten Informationen und Spezifikationen können ohne vorherige Ankündigung geändert werden.

EINGESCHRÄNKTE GARANTIE

ZUR REGISTRIERUNG FÜR GARANTIEANSPRÜCHE UND ZUR EINSICHT IN DIE VOLLSTÄNDIGEN GESCHÄFTSBEDINGUNGEN BESUCHEN SIE BITTE UNSERE WEBSITE.

Für Kunden in den USA und in Mexiko: www.chauvetlighting.com/warranty-registration.

Für Kunden im Vereinigten Königreich, in Irland, Belgien, den Niederlanden, Luxemburg, Frankreich und Deutschland: www.chauvetlighting.eu/warranty-registration.

Chauvet garantiert für die in der auf unserer Website veröffentlichten vollständigen eingeschränkten Garantie genannten Dauer und unter Vorbehalt der darin genannten Haftungsausschlüsse und -beschränkungen, dass dieses Produkt bei normalen Gebrauch frei von Material- und Verarbeitungsfehlern ist. Diese Garantie erstreckt sich nur auf den Erstkäufer des Produkts und ist nicht übertragbar. Zur Ausübung der unter dieser Garantie gewährten Rechte ist der Kaufbeleg in Form der Originalrechnung von einem autorisierten Händler vorzulegen, in der die Produktbezeichnung und das Kaufdatum vermerkt sein müssen. **ES BESTEHEN KEINE WEITEREN AUSDRÜCKLICHEN ODER STILLSCHWEIGENDEN GARANTIEEN.** Diese Garantie gibt Ihnen besondere gesetzliche Rechte. Und Sie haben möglicherweise weitere Rechte, die von Land zu Land unterschiedlich sein können. Diese Garantie ist nur in den USA, im Vereinigten Königreich, in Irland, Belgien, den Niederlanden, Luxemburg, Frankreich, Deutschland und Mexiko gültig. Bezüglich der Garantiebestimmungen in anderen Ländern wenden Sie sich bitte an Ihren lokalen Händler.

Sicherheitshinweise

- Dieses Gerät NICHT öffnen. Die eingebauten Komponenten sind für den Kunden wartungsfrei.
- Um unnötigen Verschleiß zu vermeiden und die Lebensdauer des Geräts zu verlängern, trennen Sie während längerer Perioden des Nichtgebrauchs das Gerät vom Stromnetz – entweder per Trennschalter oder durch Herausziehen des Steckers aus der Steckdose.
- NIEMALS in die Lichtquelle schauen, während das Gerät eingeschaltet ist.
- VORSICHT: Das Gehäuse dieses Produkts kann während des Betriebs heiß werden. Installieren Sie das Gerät an einem Ort mit ausreichender Belüftung und mit einem Abstand von mindestens 50 cm zu den angrenzenden Flächen.
- Belassen Sie KEINE entflammaren Materialien in einem Umkreis von 50 cm dieses Geräts, während es in Betrieb oder an der Stromversorgung angeschlossen ist.
- VORSICHT: Beim Transport des Geräts von einer Umgebung mit außergewöhnlichen Temperaturen in eine andere solche Umgebung (z. B. aus einem kalten Transporter in einen warm-feuchten Ballsaal) kann an der im Gerät enthaltenen Elektronik Wasser kondensieren. Um einen Defekt zu vermeiden, muss sich das Gerät erst in der neuen Umgebung akklimatisiert haben, bevor es an die Stromversorgung angeschlossen werden kann.
- Dieses Geräts eignet sich nicht für eine permanente Installation im Außenbereich an Orten mit extremen Umweltbedingungen. Dies beinhaltet insbesondere:
 - Exposition gegenüber Meeres-/salzhaltigen Umgebungen (innerhalb von 5 km eines salzhaltigen Gewässers).
 - Orte, an denen die normalen Niedrigst- oder Höchsttemperaturen außerhalb des im Handbuch angegebenen Temperaturbereichs liegen.
 - Orte, die überflutet oder zugeschnitten werden können.
 - Sonstige Bereiche, in denen das Produkt einer großen Strahlung oder ätzenden Substanzen ausgesetzt ist.
- VERWENDEN Sie bei Montage über Kopf immer ein Sicherheitsseil.
- Dieses Gerät darf NICHT in Wasser eingetaucht werden (IP65). Eine regelmäßige Verwendung dieses Geräts im Freien ist möglich.
- NIEMALS das Gerät in Betrieb nehmen, wenn Ihnen das Gehäuse, die Linsen oder das Kabel beschädigt erscheinen.
- Schließen Sie dieses Gerät NICHT an einen Dimmer oder Regelwiderstand an.
- Schließen Sie dieses Produkt NUR an einen mit der Erde verbundenen und geschützten Stromkreis an.
- Das Gerät NUR an den Hänge-/Befestigungsbügel oder Griffen tragen.
- Bei ernsthaften Betriebsproblemen stoppen Sie umgehend die Verwendung des Geräts.
- Die maximal zulässige Umgebungstemperatur beträgt 45 °C. Nehmen Sie das Gerät nicht bei höheren Temperaturen in Betrieb.

Kontakt

Kunden außerhalb der USA, GB, Irland, Benelux, Frankreich, Deutschland oder Mexiko wenden sich an ihren Lieferanten, um den Kundensupport in Anspruch zu nehmen oder ein Produkt zurückzuschicken. Kontaktinformationen finden Sie im [Contact Us](#) am Ende dieses QRG.

Packungsinhalt

- COLORado Batten 72X mit Blendschutz
- Seetronic Powerkon IP65 Netzkabel
- Omega-Hängebügel
- Schnellanleitung

Wechselstrom

Dieses Gerät verfügt über ein Vorschaltgerät, das automatisch die anliegende Spannung erkennt, sobald der Netzstecker in die Schukosteckdose gesteckt wird, und kann mit einer Eingangsspannung von 100~240 V AC, 50/60 Hz arbeiten.

Serienschaltung der Geräte

Sie können bis zu 6 COLORado Batten 72X-Geräte bei 120 V AC, 17 Geräte bei 208 V AC, oder 19 Geräte bei 230 V AC in Serie schalten. Diese Anzahl niemals überschreiten! Stromkabel für die Serienschaltung können separat erworben werden.

Wechselstromstecker

Anschluss	Draht (USA)	Draht (Europa)	Schraubenfarbe
Stromführender AC-Leiter	Schwarz	Braun	Gelb/Messingfarben
AC-Neutralleiter	Weiß	Blau	Silber
AC-Erdungsleiter	Grün/Gelb	Grün/Gelb	Grün



Um unnötigen Verschleiß zu vermeiden und die Lebensdauer des Geräts zu verlängern, trennen Sie während längerer Perioden des Nichtgebrauchs das Gerät vom Stromnetz – entweder per Trennschalter oder durch Herausziehen des Steckers aus der Steckdose.

DMX-Verbindung

Der COLORado Batten 72X kann mit einem DMX-Controller betrieben werden, wenn eine 5-polige DMX-Serienschaltung zum Einsatz kommt. Sie können sich eine Einführung in DMX unter www.chauvetprofessional.com herunterladen.

DMX-Anschluss

Der COLORado Batten 72X nutzt zur Steuerung seiner 18 Kontrollpersönlichkeiten reichen von 3-Kanal bis 43-Kanal in 1-Zellen-Modi und 3-Zellen-Modi eine 5-polige DMX-Datenverbindung:

	RGB	RGB EXT	RGBA	RGBA EXT	RGBAW	RGBAW EXT	RGBAW FIN	RGBAW FUL	HSIC
1-Zellen	3	8	4	9	5	10	10	16	8
3-Zellen	9	21	12	24	15	27	30	43	22

Informationen zum Anschließen und Konfigurieren des Geräts für einen DMX-Betrieb finden Sie in der Bedienungsanleitung.

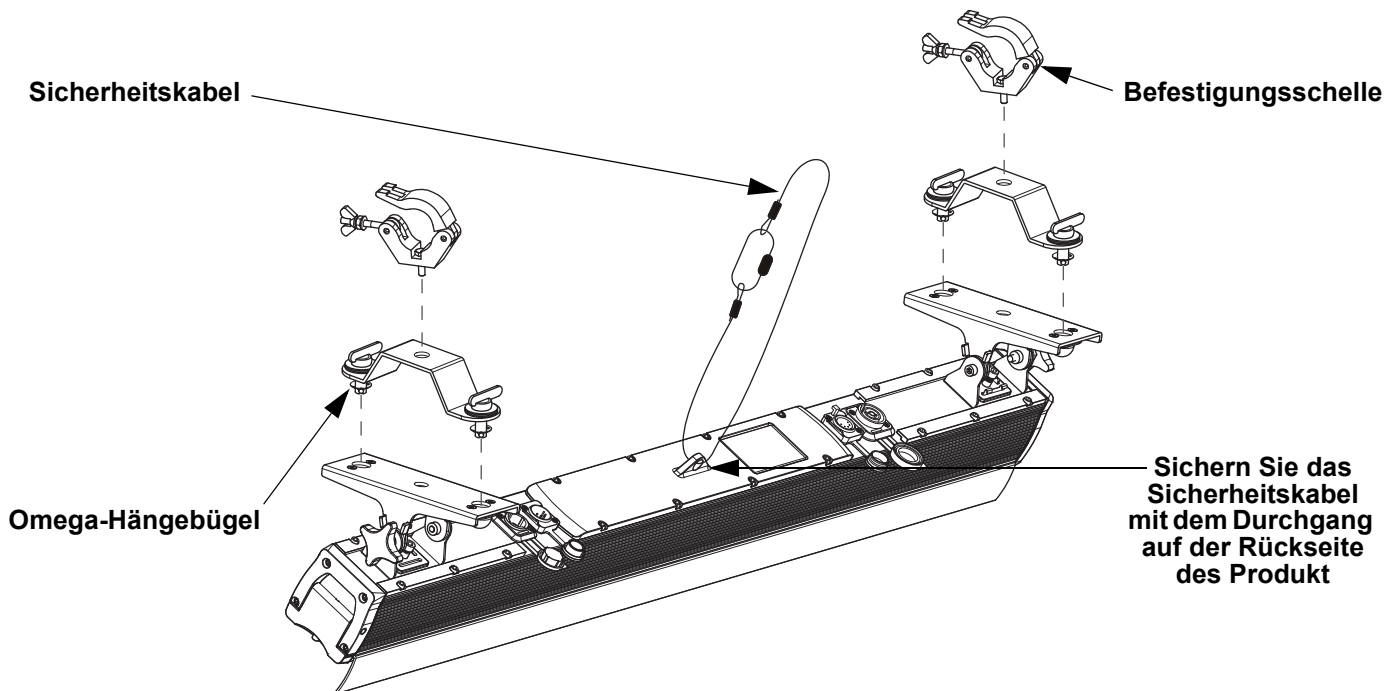
RDM (Remote Device Management)

Remote Device Management bzw. RDM ist ein Standard, mit dem DMX-aktivierte Geräte bidirektional entlang bestehender DMX-Kabel kommunizieren können. Lesen Sie die Bedienungsanleitung des DMX-Controllers oder wenden Sie sich an den Hersteller, da nicht alle DMX-Controller über diese Funktion verfügt. Der COLORado Batten 72X unterstützt das RDM-Protokoll, das ein Feedback zur Vornahme von Änderungen der Menüoptionen erlaubt. Laden Sie für weiterführende Informationen unter www.chauvetprofessional.com das Benutzerhandbuch herunter.

Montage

Lesen Sie vor der Montage dieses Geräts die [Sicherheitshinweise](#) durch. Mindestens zwei Befestigungspunkt pro Gerät verwenden. Stellen Sie sicher, dass die Befestigungsklemmen dafür ausgelegt sind, das Produktgewicht tragen zu können. Informationen zu unserer CHAUVET-Produktlinie für Befestigungsklemmen finden Sie unter <http://trusst.com/productcategory/truss-clamps/>.

Montageansicht



Beschreibung des Bedienfeldes

Taste	Funktion
<MENU>	Damit verlassen Sie das aktuelle Menü oder die Funktion.
<ENTER>	Damit wird das aktuell angezeigte Menü aktiviert oder der aktuell ausgewählte Wert einer Funktion eingestellt.
<UP>	Damit navigieren Sie sich durch die Menüpunkte nach oben oder erhöhen den numerischen Wert der entsprechenden Funktion.
<DOWN>	Damit navigieren Sie sich durch die Menüpunkte nach unten oder verringern den numerischen Wert der entsprechenden Funktion.

Menüstruktur

Hauptebene	Programmirebenen	Beschreibung
Start Address	1–510*	Wählt die DMX-Adresse aus (*der höchste Kanal ist auf die gewählte Eigenschaft beschränkt)
	1 RGB	3-Kanal: RGB
Personality	1 RGB EXT	8-Kanal: 16-Bit Dimmer, RGB, Farbmakro, Farbtemperatur, Stroboskopeffekt
	1 RGBA	4-Kanal: RGBA
	1 RGBA EXT	9-Kanal: 16-Bit Dimmer, RGBA, Farbmakro, Farbtemperatur, Stroboskopeffekt
	1 RGBAW	5-Kanal: RGBAW
	1 RGBAW EXT	10-Kanal: 16-Bit Dimmer, RGBAW, Farbmakro, Farbtemperatur, Stroboskopeffekt
	1 RGBAW FIN	10-Kanal: 16-Bit RGBAW
	1 RGBAW FUL	16-Kanal: 16-Bit Dimmer, 16-Bit RGBAW, Farbmakro, Farbtemperatur, Stroboskopeffekt, Dimmer-Geschwindigkeit
	1 HSIC	8-Kanal: Dimmer, 16-Bit Farbton, Farbsättigung, Stroboskopeffekt, Farbmakro, Farbtemperatur, Dimmer-Geschwindigkeit
	3 RGB	9-Kanal (3-Zellen): RGB
	3 RGB EXT	21-Kanal (3-Zellen): 16-Bit Dimmer, RGB, Farbmakro, Farbtemperatur, Stroboskopeffekt
	3 RGBA	12-Kanal (3-Zellen): RGBA
	3 RGBA EXT	24-Kanal (3-Zellen): 16-Bit Dimmer, RGBA, Farbmakro, Farbtemperatur, Stroboskopeffekt
	3 RGBAW	15-Kanal (3-Zellen): RGBAW
	3 RGBAW EXT	27-Kanal (3-Zellen): 16-Bit Dimmer, RGBAW, Farbmakro, Farbtemperatur, Stroboskopeffekt
	3 RGBAW FIN	30-Kanal (3-Zellen): 16-Bit RGBAW
	3 RGBAW FUL	43-Kanal (3-Zellen): 16-Bit Dimmer, 16-Bit RGBAW, Farbmakro, Farbtemperatur, Stroboskopeffekt, Dimmer-Geschwindigkeit
	3 HSIC	22-Kanal (3-Zellen): Dimmer, 16-Bit Farbton, Farbsättigung, Stroboskopeffekt, Farbmakro, Farbtemperatur, Dimmer-Geschwindigkeit
Output Setting	Power Mode	Meidet übermäßig hohe Temperaturen durch Anpassung des Intensitätsausgang
	Steady Mode	Verwendet einen niedrigeren Intensitätsausgang mit konstanter Rate, um übermäßig hohe Temperaturen zu vermeiden
	Legacy Mode	Stimmt überein die Intensitätsausgang des COLORado Batten 72 Tour

Hauptebene	Programmirebenen			Beschreibung	
Static Colors	Preset Colors	Color 1–14	Dimmer 0–100%	Voreingestellte statische Farben	
	CCT Temper	White 1–14		Voreingestellte Farbtemperaturen	
	RGBAW	Red	Red 0–255	Kombiniert rote, grüne, blaue, bernsteinfarbene und weiße Farben zu einer benutzerdefinierten Farbe	
		Green	Green 0–255		
		Blue	Blue 0–255		
Amber		Amber 0–255			
White	White 0–255				
Auto Programs	Run	AUTO.1–10	Speed 0–100	Wählt das Auto-Programm und die Programm-Geschwindigkeit aus	
		Program 1–10			
	Edit	Program 1–10	SCENE-01–30	Red 0–255	Wählt ein Benutzer-Programm und bearbeitet es
				Green 0–255	
				Blue 0–255	
Amber 0–255					
White 0–255					
Master/Slave	Master			DMX-Modus (Master)	
	Slave			Slave-Modus	
Dimmer Mode	OFF			Linear dimmer	
	DIM1–4			Dimmungskurven DIM1 (schnell) nach DIM4 (langsam)	
LED Frequency	600Hz			Stellt die PWM-Frequenz ein	
	1200Hz				
	2000Hz				
	2400Hz				
	4000Hz				
	6000Hz				
	25000Hz				
Cell Order	1 – 3			Wählt die Reihenfolge der Zellen	
	3 – 1				
Setting	**** (Passwort eingeben)	DMX Error/ Loss	Hold Last	Geht bei Verlust der DMX-Steuerung mit dem letzten Befehl weiter	
			Blackout	Verdunkelung bei Verlust von DMX aus	
		Disp TimeOut	On	Hintergrundbeleuchtung der Anzeige immer an	
			10s	Damit wird die Anzeige nach 10 Sekunden Inaktivität ausgeschaltet	
			20s	Damit wird die Anzeige nach 20 Sekunden Inaktivität ausgeschaltet	
		Disp Passcode	30s	Damit wird die Anzeige nach 30 Sekunden Inaktivität ausgeschaltet	
On	Damit wird die Anzeige gesperrt (Passwort lautet <UP>, <DOWN>, <UP>, <DOWN>, <ENTER>)				
Information	Fixture Hours		___ _ Hours	Zeigt an, wie lange das Gerät eingeschaltet gewesen ist	
	Firmware Vers		V_ _	Zeigt die aktuelle Firmware-Version an	
	RDM	UID		Zeigt die Geräte-UID an	
		LABEL	Batten 72X		Zeigt den Produktnamen für RDM an
Factory Reset	No			Damit stellen Sie das Gerät auf die Werkseinstellungen zurück	
	Yes				

3-Zellen-DMX-Werte

3 HSIC (22 Kanäle)

Kanal	Funktion	Wert	Prozent/Einstellung
1	Dimmer 1	000 ⇔ 255	0–100%
2	Farbton 1	000 ⇔ 255	0–100%
3	Feine Farbton 1	000 ⇔ 255	0–100%
4	Farbsättigung 1	000 ⇔ 255	0–100%
5	Stroboskop 1	000 ⇔ 009	Keine Funktion
		010 ⇔ 099	Stroboskop, von langsam nach schnell
		100 ⇔ 109	Keine Funktion
		110 ⇔ 179	Pulse-Stroboskop, langsam nach schnell
		180 ⇔ 189	Keine Funktion
		190 ⇔ 255	Zufalls-Stroboskop, langsam nach schnell
6	Farbmakros 1	000 ⇔ 010	Keine Funktion
		011 ⇔ 034	R: 100% G: 0–100% B: 0% A: 0% W: 0%
		035 ⇔ 059	R: 100–0% G: 100% B: 0% A: 0% W: 0%
		060 ⇔ 084	R: 0% G: 100% B: 0–100% A: 0% W: 0%
		084 ⇔ 109	R: 0% G: 100–0% B: 100% A: 0% W: 0%
		110 ⇔ 134	R: 0–100% G: 0% B: 100% A: 0% W: 0%
		134 ⇔ 159	R: 100% G: 0% B: 100–0% A: 0% W: 0%
		160 ⇔ 184	R: 100% G: 0–100% B: 0–100% A: 0% W: 0%
		184 ⇔ 209	R: 100–0% G: 100–0% B: 100% A: 0% W: 0%
		210 ⇔ 255	R: 100% G: 100% B: 100% A: 100% W: 100%
7	Farbtemperaturen 1	000 ⇔ 010	Keine Funktion
		011 ⇔ 028	Weiß
		029 ⇔ 046	Weiß 2
		047 ⇔ 064	Weiß 3
		065 ⇔ 082	Weiß 4
		083 ⇔ 100	Weiß 5
		101 ⇔ 118	Weiß 6
		119 ⇔ 136	Weiß 7
		137 ⇔ 154	Weiß 8
		155 ⇔ 172	Weiß 9
		173 ⇔ 190	Weiß 10
		191 ⇔ 208	Weiß 11
		209 ⇔ 226	Weiß 12
		227 ⇔ 244	Weiß 13
245 ⇔ 255	Weiß 14		
8	Dimmer 2	000 ⇔ 255	0–100%
9	Farbton 2	000 ⇔ 255	0–100%
10	Feine Farbton 2	000 ⇔ 255	0–100%
11	Farbsättigung 2	000 ⇔ 255	0–100%
12	Stroboskop 2	000 ⇔ 009	Keine Funktion
		010 ⇔ 099	Stroboskop, von langsam nach schnell
		100 ⇔ 109	Keine Funktion
		110 ⇔ 179	Pulse-Stroboskop, langsam nach schnell
		180 ⇔ 189	Keine Funktion
		190 ⇔ 255	Zufalls-Stroboskop, langsam nach schnell

SCHNELLANLEITUNG



DE

Kanal	Funktion	Wert	Prozent/Einstellung
13	Farbmakros 2	000 ⇔ 010	Keine Funktion
		011 ⇔ 034	R: 100% G: 0–100% B: 0% A: 0% W: 0%
		035 ⇔ 059	R: 100–0% G: 100% B: 0% A: 0% W: 0%
		060 ⇔ 084	R: 0% G: 100% B: 0–100% A: 0% W: 0%
		084 ⇔ 109	R: 0% G: 100–0% B: 100% A: 0% W: 0%
		110 ⇔ 134	R: 0–100% G: 0% B: 100% A: 0% W: 0%
		134 ⇔ 159	R: 100% G: 0% B: 100–0% A: 0% W: 0%
		160 ⇔ 184	R: 100% G: 0–100% B: 0–100% A: 0% W: 0%
		184 ⇔ 209	R: 100–0% G: 100–0% B: 100% A: 0% W: 0%
		210 ⇔ 255	R: 100% G: 100% B: 100% A: 100% W: 100%
14	Farbtemperaturen 2	000 ⇔ 010	Keine Funktion
		011 ⇔ 028	Weiß
		029 ⇔ 046	Weiß 2
		047 ⇔ 064	Weiß 3
		065 ⇔ 082	Weiß 4
		083 ⇔ 100	Weiß 5
		101 ⇔ 118	Weiß 6
		119 ⇔ 136	Weiß 7
		137 ⇔ 154	Weiß 8
		155 ⇔ 172	Weiß 9
		173 ⇔ 190	Weiß 10
		191 ⇔ 208	Weiß 11
		209 ⇔ 226	Weiß 12
		227 ⇔ 244	Weiß 13
		245 ⇔ 255	Weiß 14
15	Dimmer 3	000 ⇔ 255	0–100%
16	Farbton 3	000 ⇔ 255	0–100%
17	Feine Farbton 3	000 ⇔ 255	0–100%
18	Farbsättigung 3	000 ⇔ 255	0–100%
19	Stroboskop 3	000 ⇔ 009	Keine Funktion
		010 ⇔ 099	Stroboskop, von langsam nach schnell
		100 ⇔ 109	Keine Funktion
		110 ⇔ 179	Pulse-Stroboskop, langsam nach schnell
		180 ⇔ 189	Keine Funktion
		190 ⇔ 255	Zufalls-Stroboskop, langsam nach schnell
20	Farbmakros 3	000 ⇔ 010	Keine Funktion
		011 ⇔ 034	R: 100% G: 0–100% B: 0% A: 0% W: 0%
		035 ⇔ 059	R: 100–0% G: 100% B: 0% A: 0% W: 0%
		060 ⇔ 084	R: 0% G: 100% B: 0–100% A: 0% W: 0%
		084 ⇔ 109	R: 0% G: 100–0% B: 100% A: 0% W: 0%
		110 ⇔ 134	R: 0–100% G: 0% B: 100% A: 0% W: 0%
		134 ⇔ 159	R: 100% G: 0% B: 100–0% A: 0% W: 0%
		160 ⇔ 184	R: 100% G: 0–100% B: 0–100% A: 0% W: 0%
		184 ⇔ 209	R: 100–0% G: 100–0% B: 100% A: 0% W: 0%
		210 ⇔ 255	R: 100% G: 100% B: 100% A: 100% W: 100%

Kanal	Funktion	Wert	Prozent/Einstellung
21	Farbtemperaturen 3	000 ⇔ 010	Keine Funktion
		011 ⇔ 028	Weiß
		029 ⇔ 046	Weiß 2
		047 ⇔ 064	Weiß 3
		065 ⇔ 082	Weiß 4
		083 ⇔ 100	Weiß 5
		101 ⇔ 118	Weiß 6
		119 ⇔ 136	Weiß 7
		137 ⇔ 154	Weiß 8
		155 ⇔ 172	Weiß 9
		173 ⇔ 190	Weiß 10
		191 ⇔ 208	Weiß 11
		209 ⇔ 226	Weiß 12
		227 ⇔ 244	Weiß 13
		245 ⇔ 255	Weiß 14
22	Dimmergeschwindigkeit	000 ⇔ 009	Dimmergeschwindigkeit von Anzeige eingestellt
		010 ⇔ 029	Dimmer-Geschwindigkeits-Modus aus
		030 ⇔ 069	Dimmer-Geschwindigkeits-Modus 1 (schnellste)
		070 ⇔ 129	Dimmer-Geschwindigkeits-Modus 2
		130 ⇔ 189	Dimmer-Geschwindigkeits-Modus 3
		190 ⇔ 255	Dimmer-Geschwindigkeits-Modus 4 (langsamste)

3 RGBAW FUL (43 Kanäle)

Kanal	Funktion	Wert	Prozent/Einstellung
1	Dimmer	000 ⇔ 255	0–100%
2	Feine Dimmer	000 ⇔ 255	0–100%
3	Rot 1	000 ⇔ 255	0–100%
4	Feine Rot 1	000 ⇔ 255	0–100%
5	Grün 1	000 ⇔ 255	0–100%
6	Feine Grün 1	000 ⇔ 255	0–100%
7	Blau 1	000 ⇔ 255	0–100%
8	Feine Blau 1	000 ⇔ 255	0–100%
9	Bernsteinfarben 1	000 ⇔ 255	0–100%
10	Feine Bernsteinfarben 1	000 ⇔ 255	0–100%
11	Weiß 1	000 ⇔ 255	0–100%
12	Feine Weiß 1	000 ⇔ 255	0–100%
13	Farbmakros 1	000 ⇔ 010	Keine Funktion
		011 ⇔ 034	R: 100% G: 0–100% B: 0% A: 0% W: 0%
		035 ⇔ 059	R: 100–0% G: 100% B: 0% A: 0% W: 0%
		060 ⇔ 084	R: 0% G: 100% B: 0–100% A: 0% W: 0%
		084 ⇔ 109	R: 0% G: 100–0% B: 100% A: 0% W: 0%
		110 ⇔ 134	R: 0–100% G: 0% B: 100% A: 0% W: 0%
		134 ⇔ 159	R: 100% G: 0% B: 100–0% A: 0% W: 0%
		160 ⇔ 184	R: 100% G: 0–100% B: 0–100% A: 0% W: 0%
		184 ⇔ 209	R: 100–0% G: 100–0% B: 100% A: 0% W: 0%
210 ⇔ 255	R: 100% G: 100% B: 100% A: 100% W: 100%		

Kanal	Funktion	Wert	Prozent/Einstellung
14	Farbtemperaturen 1	000 ⇔ 010	Keine Funktion
		011 ⇔ 028	Weiß
		029 ⇔ 046	Weiß 2
		047 ⇔ 064	Weiß 3
		065 ⇔ 082	Weiß 4
		083 ⇔ 100	Weiß 5
		101 ⇔ 118	Weiß 6
		119 ⇔ 136	Weiß 7
		137 ⇔ 154	Weiß 8
		155 ⇔ 172	Weiß 9
		173 ⇔ 190	Weiß 10
		191 ⇔ 208	Weiß 11
		209 ⇔ 226	Weiß 12
		227 ⇔ 244	Weiß 13
245 ⇔ 255	Weiß 14		
15	Stroboskop 1	000 ⇔ 009	Keine Funktion
		010 ⇔ 099	Stroboskop, von langsam nach schnell
		100 ⇔ 109	Keine Funktion
		110 ⇔ 179	Pulse-Stroboskop, langsam nach schnell
		180 ⇔ 189	Keine Funktion
		190 ⇔ 255	Zufalls-Stroboskop, langsam nach schnell
16	Rot 2	000 ⇔ 255	0–100%
17	Feine Rot 2	000 ⇔ 255	0–100%
18	Grün 2	000 ⇔ 255	0–100%
19	Feine Grün 2	000 ⇔ 255	0–100%
20	Blau 2	000 ⇔ 255	0–100%
21	Feine Blau 2	000 ⇔ 255	0–100%
22	Bernsteinfarben 2	000 ⇔ 255	0–100%
23	Feine Bernsteinfarben 2	000 ⇔ 255	0–100%
24	Weiß 2	000 ⇔ 255	0–100%
25	Feine Weiß 2	000 ⇔ 255	0–100%
26	Farbmakros 2	000 ⇔ 010	Keine Funktion
		011 ⇔ 034	R: 100% G: 0–100% B: 0% A: 0% W: 0%
		035 ⇔ 059	R: 100–0% G: 100% B: 0% A: 0% W: 0%
		060 ⇔ 084	R: 0% G: 100% B: 0–100% A: 0% W: 0%
		084 ⇔ 109	R: 0% G: 100–0% B: 100% A: 0% W: 0%
		110 ⇔ 134	R: 0–100% G: 0% B: 100% A: 0% W: 0%
		134 ⇔ 159	R: 100% G: 0% B: 100–0% A: 0% W: 0%
		160 ⇔ 184	R: 100% G: 0–100% B: 0–100% A: 0% W: 0%
		184 ⇔ 209	R: 100–0% G: 100–0% B: 100% A: 0% W: 0%
		210 ⇔ 255	R: 100% G: 100% B: 100% A: 100% W: 100%

Kanal	Funktion	Wert	Prozent/Einstellung
27	Farbtemperaturen 2	000 ⇔ 010	Keine Funktion
		011 ⇔ 028	Weiß
		029 ⇔ 046	Weiß 2
		047 ⇔ 064	Weiß 3
		065 ⇔ 082	Weiß 4
		083 ⇔ 100	Weiß 5
		101 ⇔ 118	Weiß 6
		119 ⇔ 136	Weiß 7
		137 ⇔ 154	Weiß 8
		155 ⇔ 172	Weiß 9
		173 ⇔ 190	Weiß 10
		191 ⇔ 208	Weiß 11
		209 ⇔ 226	Weiß 12
		227 ⇔ 244	Weiß 13
245 ⇔ 255	Weiß 14		
28	Stroboskop 2	000 ⇔ 009	Keine Funktion
		010 ⇔ 099	Stroboskop, von langsam nach schnell
		100 ⇔ 109	Keine Funktion
		110 ⇔ 179	Pulse-Stroboskop, langsam nach schnell
		180 ⇔ 189	Keine Funktion
		190 ⇔ 255	Zufalls-Stroboskop, langsam nach schnell
29	Rot 3	000 ⇔ 255	0–100%
30	Feine Rot 3	000 ⇔ 255	0–100%
31	Grün 3	000 ⇔ 255	0–100%
32	Feine Grün 3	000 ⇔ 255	0–100%
33	Blau 3	000 ⇔ 255	0–100%
34	Feine Blau 3	000 ⇔ 255	0–100%
35	Bernsteinfarben 3	000 ⇔ 255	0–100%
36	Feine Bernsteinfarben 3	000 ⇔ 255	0–100%
37	Weiß 3	000 ⇔ 255	0–100%
38	Feine Weiß 3	000 ⇔ 255	0–100%
39	Farbmakros 3	000 ⇔ 010	Keine Funktion
		011 ⇔ 034	R: 100% G: 0–100% B: 0% A: 0% W: 0%
		035 ⇔ 059	R: 100–0% G: 100% B: 0% A: 0% W: 0%
		060 ⇔ 084	R: 0% G: 100% B: 0–100% A: 0% W: 0%
		084 ⇔ 109	R: 0% G: 100–0% B: 100% A: 0% W: 0%
		110 ⇔ 134	R: 0–100% G: 0% B: 100% A: 0% W: 0%
		134 ⇔ 159	R: 100% G: 0% B: 100–0% A: 0% W: 0%
		160 ⇔ 184	R: 100% G: 0–100% B: 0–100% A: 0% W: 0%
		184 ⇔ 209	R: 100–0% G: 100–0% B: 100% A: 0% W: 0%
		210 ⇔ 255	R: 100% G: 100% B: 100% A: 100% W: 100%

Kanal	Funktion	Wert	Prozent/Einstellung
40	Farbtemperaturen 3	000 ⇔ 010	Keine Funktion
		011 ⇔ 028	Weiß
		029 ⇔ 046	Weiß 2
		047 ⇔ 064	Weiß 3
		065 ⇔ 082	Weiß 4
		083 ⇔ 100	Weiß 5
		101 ⇔ 118	Weiß 6
		119 ⇔ 136	Weiß 7
		137 ⇔ 154	Weiß 8
		155 ⇔ 172	Weiß 9
		173 ⇔ 190	Weiß 10
		191 ⇔ 208	Weiß 11
		209 ⇔ 226	Weiß 12
		227 ⇔ 244	Weiß 13
245 ⇔ 255	Weiß 14		
41	Stroboskop 3	000 ⇔ 009	Keine Funktion
		010 ⇔ 099	Stroboskop, von langsam nach schnell
		100 ⇔ 109	Keine Funktion
		110 ⇔ 179	Pulse-Stroboskop, langsam nach schnell
		180 ⇔ 189	Keine Funktion
		190 ⇔ 255	Zufalls-Stroboskop, langsam nach schnell
42	Stroboskop alle	000 ⇔ 009	Keine Funktion
		010 ⇔ 099	Stroboskop, von langsam nach schnell
		100 ⇔ 109	Keine Funktion
		110 ⇔ 179	Pulse-Stroboskop, langsam nach schnell
		180 ⇔ 189	Keine Funktion
		190 ⇔ 255	Zufalls-Stroboskop, langsam nach schnell
43	Dimmergeschwindigkeit	000 ⇔ 009	Dimmergeschwindigkeit von Anzeige eingestellt
		010 ⇔ 029	Dimmer-Geschwindigkeits-Modus aus
		030 ⇔ 069	Dimmer-Geschwindigkeits-Modus 1 (schnellste)
		070 ⇔ 129	Dimmer-Geschwindigkeits-Modus 2
		130 ⇔ 189	Dimmer-Geschwindigkeits-Modus 3
		190 ⇔ 255	Dimmer-Geschwindigkeits-Modus 4 (langsamste)

3 RGBAW FIN (30 Kanäle)

Kanal	Funktion	Wert	Prozent/Einstellung
1	Rot 1	000 ⇔ 255	0–100%
2	Feine Rot 1	000 ⇔ 255	0–100%
3	Grün 1	000 ⇔ 255	0–100%
4	Feine Grün 1	000 ⇔ 255	0–100%
5	Blau 1	000 ⇔ 255	0–100%
6	Feine Blau 1	000 ⇔ 255	0–100%
7	Bernsteinfarben 1	000 ⇔ 255	0–100%
8	Feine Bernsteinfarben 1	000 ⇔ 255	0–100%
9	Weiß 1	000 ⇔ 255	0–100%
10	Feine Weiß 1	000 ⇔ 255	0–100%
11	Rot 2	000 ⇔ 255	0–100%
12	Feine Rot 2	000 ⇔ 255	0–100%
13	Grün 2	000 ⇔ 255	0–100%
14	Feine Grün 2	000 ⇔ 255	0–100%
15	Blau 2	000 ⇔ 255	0–100%
16	Feine Blau 2	000 ⇔ 255	0–100%
17	Bernsteinfarben 2	000 ⇔ 255	0–100%
18	Feine Bernsteinfarben 2	000 ⇔ 255	0–100%
19	Weiß 2	000 ⇔ 255	0–100%

Kanal	Funktion	Wert	Prozent/Einstellung
20	Feine Weiß 2	000 ⇔ 255	0–100%
21	Rot 3	000 ⇔ 255	0–100%
22	Feine Rot 3	000 ⇔ 255	0–100%
23	Grün 3	000 ⇔ 255	0–100%
24	Feine Grün 3	000 ⇔ 255	0–100%
25	Blau 3	000 ⇔ 255	0–100%
26	Feine Blau 3	000 ⇔ 255	0–100%
27	Bernsteinfarben 3	000 ⇔ 255	0–100%
28	Feine Bernsteinfarben 3	000 ⇔ 255	0–100%
29	Weiß 3	000 ⇔ 255	0–100%
30	Feine Weiß 3	000 ⇔ 255	0–100%

3 RGBAW EXT (27 Kanäle)

Kanal	Funktion	Wert	Prozent/Einstellung
1	Dimmer	000 ⇔ 255	0–100%
2	Feine Dimmer	000 ⇔ 255	0–100%
3	Rot 1	000 ⇔ 255	0–100%
4	Grün 1	000 ⇔ 255	0–100%
5	Blau 1	000 ⇔ 255	0–100%
6	Bernsteinfarben 1	000 ⇔ 255	0–100%
7	Weiß 1	000 ⇔ 255	0–100%
8	Farbmakros 1	000 ⇔ 010	Keine Funktion
		011 ⇔ 034	R: 100% G: 0–100% B: 0% A: 0% W: 0%
		035 ⇔ 059	R: 100–0% G: 100% B: 0% A: 0% W: 0%
		060 ⇔ 084	R: 0% G: 100% B: 0–100% A: 0% W: 0%
		084 ⇔ 109	R: 0% G: 100–0% B: 100% A: 0% W: 0%
		110 ⇔ 134	R: 0–100% G: 0% B: 100% A: 0% W: 0%
		134 ⇔ 159	R: 100% G: 0% B: 100–0% A: 0% W: 0%
		160 ⇔ 184	R: 100% G: 0–100% B: 0–100% A: 0% W: 0%
184 ⇔ 209	R: 100–0% G: 100–0% B: 100% A: 0% W: 0%		
210 ⇔ 255	R: 100% G: 100% B: 100% A: 100% W: 100%		
9	Farbtemperaturen 1	000 ⇔ 010	Keine Funktion
		011 ⇔ 028	Weiß
		029 ⇔ 046	Weiß 2
		047 ⇔ 064	Weiß 3
		065 ⇔ 082	Weiß 4
		083 ⇔ 100	Weiß 5
		101 ⇔ 118	Weiß 6
		119 ⇔ 136	Weiß 7
		137 ⇔ 154	Weiß 8
		155 ⇔ 172	Weiß 9
		173 ⇔ 190	Weiß 10
		191 ⇔ 208	Weiß 11
		209 ⇔ 226	Weiß 12
		227 ⇔ 244	Weiß 13
245 ⇔ 255	Weiß 14		
10	Stroboskop 1	000 ⇔ 009	Keine Funktion
		010 ⇔ 099	Stroboskop, von langsam nach schnell
		100 ⇔ 109	Keine Funktion
		110 ⇔ 179	Pulse-Stroboskop, langsam nach schnell
		180 ⇔ 189	Keine Funktion
		190 ⇔ 255	Zufalls-Stroboskop, langsam nach schnell
11	Rot 2	000 ⇔ 255	0–100%
12	Grün 2	000 ⇔ 255	0–100%
13	Blau 2	000 ⇔ 255	0–100%

SCHNELLANLEITUNG



DE

Kanal	Funktion	Wert	Prozent/Einstellung
14	Bernsteinfarben 2	000 ⇄ 255	0–100%
15	Weiß 2	000 ⇄ 255	0–100%
16	Farbmakros 2	000 ⇄ 010	Keine Funktion
		011 ⇄ 034	R: 100% G: 0–100% B: 0% A: 0% W: 0%
		035 ⇄ 059	R: 100–0% G: 100% B: 0% A: 0% W: 0%
		060 ⇄ 084	R: 0% G: 100% B: 0–100% A: 0% W: 0%
		084 ⇄ 109	R: 0% G: 100–0% B: 100% A: 0% W: 0%
		110 ⇄ 134	R: 0–100% G: 0% B: 100% A: 0% W: 0%
		134 ⇄ 159	R: 100% G: 0% B: 100–0% A: 0% W: 0%
		160 ⇄ 184	R: 100% G: 0–100% B: 0–100% A: 0% W: 0%
		184 ⇄ 209	R: 100–0% G: 100–0% B: 100% A: 0% W: 0%
		210 ⇄ 255	R: 100% G: 100% B: 100% A: 100% W: 100%
17	Farbtemperaturen 2	000 ⇄ 010	Keine Funktion
		011 ⇄ 028	Weiß
		029 ⇄ 046	Weiß 2
		047 ⇄ 064	Weiß 3
		065 ⇄ 082	Weiß 4
		083 ⇄ 100	Weiß 5
		101 ⇄ 118	Weiß 6
		119 ⇄ 136	Weiß 7
		137 ⇄ 154	Weiß 8
		155 ⇄ 172	Weiß 9
		173 ⇄ 190	Weiß 10
		191 ⇄ 208	Weiß 11
		209 ⇄ 226	Weiß 12
		227 ⇄ 244	Weiß 13
		245 ⇄ 255	Weiß 14
18	Stroboskop 2	000 ⇄ 009	Keine Funktion
		010 ⇄ 099	Stroboskop, von langsam nach schnell
		100 ⇄ 109	Keine Funktion
		110 ⇄ 179	Pulse-Stroboskop, langsam nach schnell
		180 ⇄ 189	Keine Funktion
		190 ⇄ 255	Zufalls-Stroboskop, langsam nach schnell
19	Rot 3	000 ⇄ 255	0–100%
20	Grün 3	000 ⇄ 255	0–100%
21	Blau 3	000 ⇄ 255	0–100%
22	Bernsteinfarben 3	000 ⇄ 255	0–100%
23	Weiß 3	000 ⇄ 255	0–100%
24	Farbmakros 3	000 ⇄ 010	Keine Funktion
		011 ⇄ 034	R: 100% G: 0–100% B: 0% A: 0% W: 0%
		035 ⇄ 059	R: 100–0% G: 100% B: 0% A: 0% W: 0%
		060 ⇄ 084	R: 0% G: 100% B: 0–100% A: 0% W: 0%
		084 ⇄ 109	R: 0% G: 100–0% B: 100% A: 0% W: 0%
		110 ⇄ 134	R: 0–100% G: 0% B: 100% A: 0% W: 0%
		134 ⇄ 159	R: 100% G: 0% B: 100–0% A: 0% W: 0%
		160 ⇄ 184	R: 100% G: 0–100% B: 0–100% A: 0% W: 0%
		184 ⇄ 209	R: 100–0% G: 100–0% B: 100% A: 0% W: 0%
		210 ⇄ 255	R: 100% G: 100% B: 100% A: 100% W: 100%

Kanal	Funktion	Wert	Prozent/Einstellung
25	Farbtemperaturen 3	000 ⇔ 010	Keine Funktion
		011 ⇔ 028	Weiß
		029 ⇔ 046	Weiß 2
		047 ⇔ 064	Weiß 3
		065 ⇔ 082	Weiß 4
		083 ⇔ 100	Weiß 5
		101 ⇔ 118	Weiß 6
		119 ⇔ 136	Weiß 7
		137 ⇔ 154	Weiß 8
		155 ⇔ 172	Weiß 9
		173 ⇔ 190	Weiß 10
		191 ⇔ 208	Weiß 11
		209 ⇔ 226	Weiß 12
		227 ⇔ 244	Weiß 13
		245 ⇔ 255	Weiß 14
26	Stroboskop 3	000 ⇔ 009	Keine Funktion
		010 ⇔ 099	Stroboskop, von langsam nach schnell
		100 ⇔ 109	Keine Funktion
		110 ⇔ 179	Pulse-Stroboskop, langsam nach schnell
		180 ⇔ 189	Keine Funktion
		190 ⇔ 255	Zufalls-Stroboskop, langsam nach schnell
27	Stroboskop alle	000 ⇔ 009	Keine Funktion
		010 ⇔ 099	Stroboskop, von langsam nach schnell
		100 ⇔ 109	Keine Funktion
		110 ⇔ 179	Pulse-Stroboskop, langsam nach schnell
		180 ⇔ 189	Keine Funktion
		190 ⇔ 255	Zufalls-Stroboskop, langsam nach schnell

3 RGBAW (15 Kanäle)

Kanal	Funktion	Wert	Prozent/Einstellung
1	Rot 1	000 ⇔ 255	0–100%
2	Grün 1	000 ⇔ 255	0–100%
3	Blau 1	000 ⇔ 255	0–100%
4	Bernsteinfarben 1	000 ⇔ 255	0–100%
5	Weiß 1	000 ⇔ 255	0–100%
6	Rot 2	000 ⇔ 255	0–100%
7	Grün 2	000 ⇔ 255	0–100%
8	Blau 2	000 ⇔ 255	0–100%
9	Bernsteinfarben 2	000 ⇔ 255	0–100%
10	Weiß 2	000 ⇔ 255	0–100%
11	Rot 3	000 ⇔ 255	0–100%
12	Grün 3	000 ⇔ 255	0–100%
13	Blau 3	000 ⇔ 255	0–100%
14	Bernsteinfarben 3	000 ⇔ 255	0–100%
15	Weiß 3	000 ⇔ 255	0–100%

3 RGBA EXT (24 Kanäle)

Kanal	Funktion	Wert	Prozent/Einstellung
1	Dimmer	000 ⇔ 255	0–100%
2	Feine Dimmer	000 ⇔ 255	0–100%
3	Rot 1	000 ⇔ 255	0–100%
4	Grün 1	000 ⇔ 255	0–100%
5	Blau 1	000 ⇔ 255	0–100%
6	Bernsteinfarben 1	000 ⇔ 255	0–100%

SCHNELLANLEITUNG



DE

Kanal	Funktion	Wert	Prozent/Einstellung
7	Farbmakros 1	000 ⇔ 010	Keine Funktion
		011 ⇔ 034	R: 100% G: 0–100% B: 0% A: 0% W: 0%
		035 ⇔ 059	R: 100–0% G: 100% B: 0% A: 0% W: 0%
		060 ⇔ 084	R: 0% G: 100% B: 0–100% A: 0% W: 0%
		084 ⇔ 109	R: 0% G: 100–0% B: 100% A: 0% W: 0%
		110 ⇔ 134	R: 0–100% G: 0% B: 100% A: 0% W: 0%
		134 ⇔ 159	R: 100% G: 0% B: 100–0% A: 0% W: 0%
		160 ⇔ 184	R: 100% G: 0–100% B: 0–100% A: 0% W: 0%
		184 ⇔ 209	R: 100–0% G: 100–0% B: 100% A: 0% W: 0%
		210 ⇔ 255	R: 100% G: 100% B: 100% A: 100% W: 100%
8	Farbtemperaturen 1	000 ⇔ 010	Keine Funktion
		011 ⇔ 028	Weiß
		029 ⇔ 046	Weiß 2
		047 ⇔ 064	Weiß 3
		065 ⇔ 082	Weiß 4
		083 ⇔ 100	Weiß 5
		101 ⇔ 118	Weiß 6
		119 ⇔ 136	Weiß 7
		137 ⇔ 154	Weiß 8
		155 ⇔ 172	Weiß 9
		173 ⇔ 190	Weiß 10
		191 ⇔ 208	Weiß 11
		209 ⇔ 226	Weiß 12
		227 ⇔ 244	Weiß 13
		245 ⇔ 255	Weiß 14
9	Stroboskop 1	000 ⇔ 009	Keine Funktion
		010 ⇔ 099	Stroboskop, von langsam nach schnell
		100 ⇔ 109	Keine Funktion
		110 ⇔ 179	Pulse-Stroboskop, langsam nach schnell
		180 ⇔ 189	Keine Funktion
		190 ⇔ 255	Zufalls-Stroboskop, langsam nach schnell
10	Rot 2	000 ⇔ 255	0–100%
11	Grün 2	000 ⇔ 255	0–100%
12	Blau 2	000 ⇔ 255	0–100%
13	Bernsteinfarben 2	000 ⇔ 255	0–100%
14	Farbmakros 2	000 ⇔ 010	Keine Funktion
		011 ⇔ 034	R: 100% G: 0–100% B: 0% A: 0% W: 0%
		035 ⇔ 059	R: 100–0% G: 100% B: 0% A: 0% W: 0%
		060 ⇔ 084	R: 0% G: 100% B: 0–100% A: 0% W: 0%
		084 ⇔ 109	R: 0% G: 100–0% B: 100% A: 0% W: 0%
		110 ⇔ 134	R: 0–100% G: 0% B: 100% A: 0% W: 0%
		134 ⇔ 159	R: 100% G: 0% B: 100–0% A: 0% W: 0%
		160 ⇔ 184	R: 100% G: 0–100% B: 0–100% A: 0% W: 0%
		184 ⇔ 209	R: 100–0% G: 100–0% B: 100% A: 0% W: 0%
		210 ⇔ 255	R: 100% G: 100% B: 100% A: 100% W: 100%

Kanal	Funktion	Wert	Prozent/Einstellung
15	Farbtemperaturen 2	000 ⇔ 010	Keine Funktion
		011 ⇔ 028	Weiß
		029 ⇔ 046	Weiß 2
		047 ⇔ 064	Weiß 3
		065 ⇔ 082	Weiß 4
		083 ⇔ 100	Weiß 5
		101 ⇔ 118	Weiß 6
		119 ⇔ 136	Weiß 7
		137 ⇔ 154	Weiß 8
		155 ⇔ 172	Weiß 9
		173 ⇔ 190	Weiß 10
		191 ⇔ 208	Weiß 11
		209 ⇔ 226	Weiß 12
		227 ⇔ 244	Weiß 13
245 ⇔ 255	Weiß 14		
16	Stroboskop 2	000 ⇔ 009	Keine Funktion
		010 ⇔ 099	Stroboskop, von langsam nach schnell
		100 ⇔ 109	Keine Funktion
		110 ⇔ 179	Pulse-Stroboskop, langsam nach schnell
		180 ⇔ 189	Keine Funktion
		190 ⇔ 255	Zufalls-Stroboskop, langsam nach schnell
17	Rot 3	000 ⇔ 255	0–100%
18	Grün 3	000 ⇔ 255	0–100%
19	Blau 3	000 ⇔ 255	0–100%
20	Bernsteinfarben 3	000 ⇔ 255	0–100%
21	Farbmakros 3	000 ⇔ 010	Keine Funktion
		011 ⇔ 034	R: 100% G: 0–100% B: 0% A: 0% W: 0%
		035 ⇔ 059	R: 100–0% G: 100% B: 0% A: 0% W: 0%
		060 ⇔ 084	R: 0% G: 100% B: 0–100% A: 0% W: 0%
		084 ⇔ 109	R: 0% G: 100–0% B: 100% A: 0% W: 0%
		110 ⇔ 134	R: 0–100% G: 0% B: 100% A: 0% W: 0%
		134 ⇔ 159	R: 100% G: 0% B: 100–0% A: 0% W: 0%
		160 ⇔ 184	R: 100% G: 0–100% B: 0–100% A: 0% W: 0%
		184 ⇔ 209	R: 100–0% G: 100–0% B: 100% A: 0% W: 0%
		210 ⇔ 255	R: 100% G: 100% B: 100% A: 100% W: 100%
22	Farbtemperaturen 3	000 ⇔ 010	Keine Funktion
		011 ⇔ 028	Weiß
		029 ⇔ 046	Weiß 2
		047 ⇔ 064	Weiß 3
		065 ⇔ 082	Weiß 4
		083 ⇔ 100	Weiß 5
		101 ⇔ 118	Weiß 6
		119 ⇔ 136	Weiß 7
		137 ⇔ 154	Weiß 8
		155 ⇔ 172	Weiß 9
		173 ⇔ 190	Weiß 10
		191 ⇔ 208	Weiß 11
		209 ⇔ 226	Weiß 12
		227 ⇔ 244	Weiß 13
245 ⇔ 255	Weiß 14		

Kanal	Funktion	Wert	Prozent/Einstellung
23	Stroboskop 3	000 ⇔ 009	Keine Funktion
		010 ⇔ 099	Stroboskop, von langsam nach schnell
		100 ⇔ 109	Keine Funktion
		110 ⇔ 179	Pulse-Stroboskop, langsam nach schnell
		180 ⇔ 189	Keine Funktion
		190 ⇔ 255	Zufalls-Stroboskop, langsam nach schnell
24	Stroboskop alle	000 ⇔ 009	Keine Funktion
		010 ⇔ 099	Stroboskop, von langsam nach schnell
		100 ⇔ 109	Keine Funktion
		110 ⇔ 179	Pulse-Stroboskop, langsam nach schnell
		180 ⇔ 189	Keine Funktion
		190 ⇔ 255	Zufalls-Stroboskop, langsam nach schnell

3 RGBA (12 Kanäle)

Kanal	Funktion	Wert	Prozent/Einstellung
1	Rot 1	000 ⇔ 255	0–100%
2	Grün 1	000 ⇔ 255	0–100%
3	Blau 1	000 ⇔ 255	0–100%
4	Bernsteinfarben 1	000 ⇔ 255	0–100%
5	Rot 2	000 ⇔ 255	0–100%
6	Grün 2	000 ⇔ 255	0–100%
7	Blau 2	000 ⇔ 255	0–100%
8	Bernsteinfarben 2	000 ⇔ 255	0–100%
9	Rot 3	000 ⇔ 255	0–100%
10	Grün 3	000 ⇔ 255	0–100%
11	Blau 3	000 ⇔ 255	0–100%
12	Bernsteinfarben 3	000 ⇔ 255	0–100%

3 RGB EXT (21 Kanäle)

Kanal	Funktion	Wert	Prozent/Einstellung
1	Dimmer	000 ⇔ 255	0–100%
2	Feine Dimmer	000 ⇔ 255	0–100%
3	Rot 1	000 ⇔ 255	0–100%
4	Grün 1	000 ⇔ 255	0–100%
5	Blau 1	000 ⇔ 255	0–100%
6	Farbmakros 1	000 ⇔ 010	Keine Funktion
		011 ⇔ 034	R: 100% G: 0–100% B: 0% A: 0% W: 0%
		035 ⇔ 059	R: 100–0% G: 100% B: 0% A: 0% W: 0%
		060 ⇔ 084	R: 0% G: 100% B: 0–100% A: 0% W: 0%
		084 ⇔ 109	R: 0% G: 100–0% B: 100% A: 0% W: 0%
		110 ⇔ 134	R: 0–100% G: 0% B: 100% A: 0% W: 0%
		134 ⇔ 159	R: 100% G: 0% B: 100–0% A: 0% W: 0%
		160 ⇔ 184	R: 100% G: 0–100% B: 0–100% A: 0% W: 0%
		184 ⇔ 209	R: 100–0% G: 100–0% B: 100% A: 0% W: 0%
		210 ⇔ 255	R: 100% G: 100% B: 100% A: 100% W: 100%

Kanal	Funktion	Wert	Prozent/Einstellung
7	Farbtemperaturen 1	000 ⇔ 010	Keine Funktion
		011 ⇔ 028	Weiß
		029 ⇔ 046	Weiß 2
		047 ⇔ 064	Weiß 3
		065 ⇔ 082	Weiß 4
		083 ⇔ 100	Weiß 5
		101 ⇔ 118	Weiß 6
		119 ⇔ 136	Weiß 7
		137 ⇔ 154	Weiß 8
		155 ⇔ 172	Weiß 9
		173 ⇔ 190	Weiß 10
		191 ⇔ 208	Weiß 11
		209 ⇔ 226	Weiß 12
		227 ⇔ 244	Weiß 13
245 ⇔ 255	Weiß 14		
8	Stroboskop 1	000 ⇔ 009	Keine Funktion
		010 ⇔ 099	Stroboskop, von langsam nach schnell
		100 ⇔ 109	Keine Funktion
		110 ⇔ 179	Pulse-Stroboskop, langsam nach schnell
		180 ⇔ 189	Keine Funktion
		190 ⇔ 255	Zufalls-Stroboskop, langsam nach schnell
9	Rot 2	000 ⇔ 255	0–100%
10	Grün 2	000 ⇔ 255	0–100%
11	Blau 2	000 ⇔ 255	0–100%
12	Farbmakros 2	000 ⇔ 010	Keine Funktion
		011 ⇔ 034	R: 100% G: 0–100% B: 0% A: 0% W: 0%
		035 ⇔ 059	R: 100–0% G: 100% B: 0% A: 0% W: 0%
		060 ⇔ 084	R: 0% G: 100% B: 0–100% A: 0% W: 0%
		084 ⇔ 109	R: 0% G: 100–0% B: 100% A: 0% W: 0%
		110 ⇔ 134	R: 0–100% G: 0% B: 100% A: 0% W: 0%
		134 ⇔ 159	R: 100% G: 0% B: 100–0% A: 0% W: 0%
		160 ⇔ 184	R: 100% G: 0–100% B: 0–100% A: 0% W: 0%
		184 ⇔ 209	R: 100–0% G: 100–0% B: 100% A: 0% W: 0%
		210 ⇔ 255	R: 100% G: 100% B: 100% A: 100% W: 100%
13	Farbtemperaturen 2	000 ⇔ 010	Keine Funktion
		011 ⇔ 028	Weiß
		029 ⇔ 046	Weiß 2
		047 ⇔ 064	Weiß 3
		065 ⇔ 082	Weiß 4
		083 ⇔ 100	Weiß 5
		101 ⇔ 118	Weiß 6
		119 ⇔ 136	Weiß 7
		137 ⇔ 154	Weiß 8
		155 ⇔ 172	Weiß 9
		173 ⇔ 190	Weiß 10
		191 ⇔ 208	Weiß 11
		209 ⇔ 226	Weiß 12
		227 ⇔ 244	Weiß 13
245 ⇔ 255	Weiß 14		
14	Stroboskop 2	000 ⇔ 009	Keine Funktion
		010 ⇔ 099	Stroboskop, von langsam nach schnell
		100 ⇔ 109	Keine Funktion
		110 ⇔ 179	Pulse-Stroboskop, langsam nach schnell
		180 ⇔ 189	Keine Funktion
		190 ⇔ 255	Zufalls-Stroboskop, langsam nach schnell

Kanal	Funktion	Wert	Prozent/Einstellung
15	Rot 3	000 ⇄ 255	0–100%
16	Grün 3	000 ⇄ 255	0–100%
17	Blau 3	000 ⇄ 255	0–100%
18	Farbmakros 3	000 ⇄ 010	Keine Funktion
		011 ⇄ 034	R: 100% G: 0–100% B: 0% A: 0% W: 0%
		035 ⇄ 059	R: 100–0% G: 100% B: 0% A: 0% W: 0%
		060 ⇄ 084	R: 0% G: 100% B: 0–100% A: 0% W: 0%
		084 ⇄ 109	R: 0% G: 100–0% B: 100% A: 0% W: 0%
		110 ⇄ 134	R: 0–100% G: 0% B: 100% A: 0% W: 0%
		134 ⇄ 159	R: 100% G: 0% B: 100–0% A: 0% W: 0%
		160 ⇄ 184	R: 100% G: 0–100% B: 0–100% A: 0% W: 0%
		184 ⇄ 209	R: 100–0% G: 100–0% B: 100% A: 0% W: 0%
		210 ⇄ 255	R: 100% G: 100% B: 100% A: 100% W: 100%
19	Farbtemperaturen 3	000 ⇄ 010	Keine Funktion
		011 ⇄ 028	Weiß
		029 ⇄ 046	Weiß 2
		047 ⇄ 064	Weiß 3
		065 ⇄ 082	Weiß 4
		083 ⇄ 100	Weiß 5
		101 ⇄ 118	Weiß 6
		119 ⇄ 136	Weiß 7
		137 ⇄ 154	Weiß 8
		155 ⇄ 172	Weiß 9
		173 ⇄ 190	Weiß 10
		191 ⇄ 208	Weiß 11
		209 ⇄ 226	Weiß 12
		227 ⇄ 244	Weiß 13
		245 ⇄ 255	Weiß 14
20	Stroboskop 3	000 ⇄ 009	Keine Funktion
		010 ⇄ 099	Stroboskop, von langsam nach schnell
		100 ⇄ 109	Keine Funktion
		110 ⇄ 179	Pulse-Stroboskop, langsam nach schnell
		180 ⇄ 189	Keine Funktion
		190 ⇄ 255	Zufalls-Stroboskop, langsam nach schnell
21	Stroboskop alle	000 ⇄ 009	Keine Funktion
		010 ⇄ 099	Stroboskop, von langsam nach schnell
		100 ⇄ 109	Keine Funktion
		110 ⇄ 179	Pulse-Stroboskop, langsam nach schnell
		180 ⇄ 189	Keine Funktion
		190 ⇄ 255	Zufalls-Stroboskop, langsam nach schnell

3 RGB (9 Kanäle)

Kanal	Funktion	Wert	Prozent/Einstellung
1	Rot 1	000 ⇄ 255	0–100%
2	Grün 1	000 ⇄ 255	0–100%
3	Blau 1	000 ⇄ 255	0–100%
4	Rot 2	000 ⇄ 255	0–100%
5	Grün 2	000 ⇄ 255	0–100%
6	Blau 2	000 ⇄ 255	0–100%
7	Rot 3	000 ⇄ 255	0–100%
8	Grün 3	000 ⇄ 255	0–100%
9	Blau 3	000 ⇄ 255	0–100%

1-Zellen-DMX-Wert

1 HSIC (8 Kanäle)

Kanal	Funktion	Wert	Prozent/Einstellung
1	Dimmer	000 ⇔ 255	0–100%
2	Farbton	000 ⇔ 255	0–100%
3	Feine Farbton	000 ⇔ 255	0–100%
4	Farbsättigung	000 ⇔ 255	0–100%
5	Stroboskop	000 ⇔ 009	Keine Funktion
		010 ⇔ 099	Stroboskop, von langsam nach schnell
		100 ⇔ 109	Keine Funktion
		110 ⇔ 179	Pulse-Stroboskop, langsam nach schnell
		180 ⇔ 189	Keine Funktion
		190 ⇔ 255	Zufalls-Stroboskop, langsam nach schnell
6	Farbmakros	000 ⇔ 010	Keine Funktion
		011 ⇔ 034	R: 100% G: 0–100% B: 0% A: 0% W: 0%
		035 ⇔ 059	R: 100–0% G: 100% B: 0% A: 0% W: 0%
		060 ⇔ 084	R: 0% G: 100% B: 0–100% A: 0% W: 0%
		084 ⇔ 109	R: 0% G: 100–0% B: 100% A: 0% W: 0%
		110 ⇔ 134	R: 0–100% G: 0% B: 100% A: 0% W: 0%
		134 ⇔ 159	R: 100% G: 0% B: 100–0% A: 0% W: 0%
		160 ⇔ 184	R: 100% G: 0–100% B: 0–100% A: 0% W: 0%
		184 ⇔ 209	R: 100–0% G: 100–0% B: 100% A: 0% W: 0%
210 ⇔ 255	R: 100% G: 100% B: 100% A: 100% W: 100%		
7	Farbtemperaturen	000 ⇔ 010	Keine Funktion
		011 ⇔ 028	Weiß
		029 ⇔ 046	Weiß 2
		047 ⇔ 064	Weiß 3
		065 ⇔ 082	Weiß 4
		083 ⇔ 100	Weiß 5
		101 ⇔ 118	Weiß 6
		119 ⇔ 136	Weiß 7
		137 ⇔ 154	Weiß 8
		155 ⇔ 172	Weiß 9
		173 ⇔ 190	Weiß 10
		191 ⇔ 208	Weiß 11
		209 ⇔ 226	Weiß 12
		227 ⇔ 244	Weiß 13
		245 ⇔ 255	Weiß 14
8	Dimmergeschwindigkeit	000 ⇔ 009	Dimmergeschwindigkeit von Anzeige eingestellt
		010 ⇔ 029	Dimmer-Geschwindigkeits-Modus aus
		030 ⇔ 069	Dimmer-Geschwindigkeits-Modus 1 (schnellste)
		070 ⇔ 129	Dimmer-Geschwindigkeits-Modus 2
		130 ⇔ 189	Dimmer-Geschwindigkeits-Modus 3
		190 ⇔ 255	Dimmer-Geschwindigkeits-Modus 4 (langsamste)

1 RGBAW FUL (16 Kanäle)

Kanal	Funktion	Wert	Prozent/Einstellung
1	Dimmer	000 ⇔ 255	0–100%
2	Feine Dimmer	000 ⇔ 255	0–100%
3	Rot	000 ⇔ 255	0–100%
4	Feine Rot	000 ⇔ 255	0–100%
5	Grün	000 ⇔ 255	0–100%
6	Feine Grün	000 ⇔ 255	0–100%
7	Blau	000 ⇔ 255	0–100%
8	Feine Blau	000 ⇔ 255	0–100%
9	Bernsteinfarben	000 ⇔ 255	0–100%

Kanal	Funktion	Wert	Prozent/Einstellung
10	Feine Bernsteinfarben	000 ⇔ 255	0–100%
11	Weiß	000 ⇔ 255	0–100%
12	Feine Weiß	000 ⇔ 255	0–100%
13	Farbmakros	000 ⇔ 010	Keine Funktion
		011 ⇔ 034	R: 100% G: 0–100% B: 0% A: 0% W: 0%
		035 ⇔ 059	R: 100–0% G: 100% B: 0% A: 0% W: 0%
		060 ⇔ 084	R: 0% G: 100% B: 0–100% A: 0% W: 0%
		084 ⇔ 109	R: 0% G: 100–0% B: 100% A: 0% W: 0%
		110 ⇔ 134	R: 0–100% G: 0% B: 100% A: 0% W: 0%
		134 ⇔ 159	R: 100% G: 0% B: 100–0% A: 0% W: 0%
		160 ⇔ 184	R: 100% G: 0–100% B: 0–100% A: 0% W: 0%
		184 ⇔ 209	R: 100–0% G: 100–0% B: 100% A: 0% W: 0%
210 ⇔ 255	R: 100% G: 100% B: 100% A: 100% W: 100%		
14	Farbtemperaturen	000 ⇔ 010	Keine Funktion
		011 ⇔ 028	Weiß
		029 ⇔ 046	Weiß 2
		047 ⇔ 064	Weiß 3
		065 ⇔ 082	Weiß 4
		083 ⇔ 100	Weiß 5
		101 ⇔ 118	Weiß 6
		119 ⇔ 136	Weiß 7
		137 ⇔ 154	Weiß 8
		155 ⇔ 172	Weiß 9
		173 ⇔ 190	Weiß 10
		191 ⇔ 208	Weiß 11
		209 ⇔ 226	Weiß 12
		227 ⇔ 244	Weiß 13
		245 ⇔ 255	Weiß 14
15	Stroboskop	000 ⇔ 009	Keine Funktion
		010 ⇔ 099	Stroboskop, von langsam nach schnell
		100 ⇔ 109	Keine Funktion
		110 ⇔ 179	Pulse-Stroboskop, langsam nach schnell
		180 ⇔ 189	Keine Funktion
		190 ⇔ 255	Zufalls-Stroboskop, langsam nach schnell
16	Dimmergeschwindigkeit	000 ⇔ 009	Dimmergeschwindigkeit von Anzeige eingestellt
		010 ⇔ 029	Dimmer-Geschwindigkeits-Modus aus
		030 ⇔ 069	Dimmer-Geschwindigkeits-Modus 1 (schnellste)
		070 ⇔ 129	Dimmer-Geschwindigkeits-Modus 2
		130 ⇔ 189	Dimmer-Geschwindigkeits-Modus 3
		190 ⇔ 255	Dimmer-Geschwindigkeits-Modus 4 (langsamste)

1 RGBAW FIN (10 Kanäle)

Kanal	Funktion	Wert	Prozent/Einstellung
1	Rot	000 ⇔ 255	0–100%
2	Feine Rot	000 ⇔ 255	0–100%
3	Grün	000 ⇔ 255	0–100%
4	Feine Grün	000 ⇔ 255	0–100%
5	Blau	000 ⇔ 255	0–100%
6	Feine Blau	000 ⇔ 255	0–100%
7	Bernsteinfarben	000 ⇔ 255	0–100%
8	Feine Bernsteinfarben	000 ⇔ 255	0–100%
9	Weiß	000 ⇔ 255	0–100%
10	Feine Weiß	000 ⇔ 255	0–100%

1 RGBAW EXT (10 Kanäle)

Kanal	Funktion	Wert	Prozent/Einstellung
1	Dimmer	000 ⇔ 255	0–100%
2	Feine Dimmer	000 ⇔ 255	0–100%
3	Rot	000 ⇔ 255	0–100%
4	Grün	000 ⇔ 255	0–100%
5	Blau	000 ⇔ 255	0–100%
6	Bernsteinfarben	000 ⇔ 255	0–100%
7	Weiß	000 ⇔ 255	0–100%
8	Farbmakros	000 ⇔ 010	Keine Funktion
		011 ⇔ 034	R: 100% G: 0–100% B: 0% A: 0% W: 0%
		035 ⇔ 059	R: 100–0% G: 100% B: 0% A: 0% W: 0%
		060 ⇔ 084	R: 0% G: 100% B: 0–100% A: 0% W: 0%
		084 ⇔ 109	R: 0% G: 100–0% B: 100% A: 0% W: 0%
		110 ⇔ 134	R: 0–100% G: 0% B: 100% A: 0% W: 0%
		134 ⇔ 159	R: 100% G: 0% B: 100–0% A: 0% W: 0%
		160 ⇔ 184	R: 100% G: 0–100% B: 0–100% A: 0% W: 0%
		184 ⇔ 209	R: 100–0% G: 100–0% B: 100% A: 0% W: 0%
210 ⇔ 255	R: 100% G: 100% B: 100% A: 100% W: 100%		
9	Farbtemperaturen	000 ⇔ 010	Keine Funktion
		011 ⇔ 028	Weiß
		029 ⇔ 046	Weiß 2
		047 ⇔ 064	Weiß 3
		065 ⇔ 082	Weiß 4
		083 ⇔ 100	Weiß 5
		101 ⇔ 118	Weiß 6
		119 ⇔ 136	Weiß 7
		137 ⇔ 154	Weiß 8
		155 ⇔ 172	Weiß 9
		173 ⇔ 190	Weiß 10
		191 ⇔ 208	Weiß 11
		209 ⇔ 226	Weiß 12
		227 ⇔ 244	Weiß 13
245 ⇔ 255	Weiß 14		
10	Stroboskop	000 ⇔ 009	Keine Funktion
		010 ⇔ 099	Stroboskop, von langsam nach schnell
		100 ⇔ 109	Keine Funktion
		110 ⇔ 179	Pulse-Stroboskop, langsam nach schnell
		180 ⇔ 189	Keine Funktion
		190 ⇔ 255	Zufalls-Stroboskop, langsam nach schnell

1 RGBAW (5 Kanäle)

Kanal	Funktion	Wert	Prozent/Einstellung
1	Rot	000 ⇔ 255	0–100%
2	Grün	000 ⇔ 255	0–100%
3	Blau	000 ⇔ 255	0–100%
4	Bernsteinfarben	000 ⇔ 255	0–100%
5	Weiß	000 ⇔ 255	0–100%

1 RGBA EXT (9 Kanäle)

Kanal	Funktion	Wert	Prozent/Einstellung
1	Dimmer	000 ⇔ 255	0–100%
2	Feine Dimmer	000 ⇔ 255	0–100%
3	Rot	000 ⇔ 255	0–100%
4	Grün	000 ⇔ 255	0–100%

Kanal	Funktion	Wert	Prozent/Einstellung
5	Blau	000 ⇔ 255	0–100%
6	Bernsteinfarben	000 ⇔ 255	0–100%
7	Farbmakros	000 ⇔ 010	Keine Funktion
		011 ⇔ 034	R: 100% G: 0–100% B: 0% A: 0% W: 0%
		035 ⇔ 059	R: 100–0% G: 100% B: 0% A: 0% W: 0%
		060 ⇔ 084	R: 0% G: 100% B: 0–100% A: 0% W: 0%
		084 ⇔ 109	R: 0% G: 100–0% B: 100% A: 0% W: 0%
		110 ⇔ 134	R: 0–100% G: 0% B: 100% A: 0% W: 0%
		134 ⇔ 159	R: 100% G: 0% B: 100–0% A: 0% W: 0%
		160 ⇔ 184	R: 100% G: 0–100% B: 0–100% A: 0% W: 0%
		184 ⇔ 209	R: 100–0% G: 100–0% B: 100% A: 0% W: 0%
		210 ⇔ 255	R: 100% G: 100% B: 100% A: 100% W: 100%
8	Farbtemperaturen	000 ⇔ 010	Keine Funktion
		011 ⇔ 028	Weiß
		029 ⇔ 046	Weiß 2
		047 ⇔ 064	Weiß 3
		065 ⇔ 082	Weiß 4
		083 ⇔ 100	Weiß 5
		101 ⇔ 118	Weiß 6
		119 ⇔ 136	Weiß 7
		137 ⇔ 154	Weiß 8
		155 ⇔ 172	Weiß 9
		173 ⇔ 190	Weiß 10
		191 ⇔ 208	Weiß 11
		209 ⇔ 226	Weiß 12
		227 ⇔ 244	Weiß 13
		245 ⇔ 255	Weiß 14
9	Stroboskop	000 ⇔ 009	Keine Funktion
		010 ⇔ 099	Stroboskop, von langsam nach schnell
		100 ⇔ 109	Keine Funktion
		110 ⇔ 179	Pulse-Stroboskop, langsam nach schnell
		180 ⇔ 189	Keine Funktion
		190 ⇔ 255	Zufalls-Stroboskop, langsam nach schnell

1 RGBA (4 Kanäle)

Kanal	Funktion	Wert	Prozent/Einstellung
1	Rot	000 ⇔ 255	0–100%
2	Grün	000 ⇔ 255	0–100%
3	Blau	000 ⇔ 255	0–100%
4	Bernsteinfarben	000 ⇔ 255	0–100%

1 RGB EXT (8 Kanäle)

Kanal	Funktion	Wert	Prozent/Einstellung
1	Dimmer	000 ⇔ 255	0–100%
2	Feine Dimmer	000 ⇔ 255	0–100%
3	Rot	000 ⇔ 255	0–100%
4	Grün	000 ⇔ 255	0–100%
5	Blau	000 ⇔ 255	0–100%

Kanal	Funktion	Wert	Prozent/Einstellung
6	Farbmakros	000 ⇔ 010	Keine Funktion
		011 ⇔ 034	R: 100% G: 0–100% B: 0% A: 0% W: 0%
		035 ⇔ 059	R: 100–0% G: 100% B: 0% A: 0% W: 0%
		060 ⇔ 084	R: 0% G: 100% B: 0–100% A: 0% W: 0%
		084 ⇔ 109	R: 0% G: 100–0% B: 100% A: 0% W: 0%
		110 ⇔ 134	R: 0–100% G: 0% B: 100% A: 0% W: 0%
		134 ⇔ 159	R: 100% G: 0% B: 100–0% A: 0% W: 0%
		160 ⇔ 184	R: 100% G: 0–100% B: 0–100% A: 0% W: 0%
		184 ⇔ 209	R: 100–0% G: 100–0% B: 100% A: 0% W: 0%
		210 ⇔ 255	R: 100% G: 100% B: 100% A: 100% W: 100%
7	Farbtemperaturen	000 ⇔ 010	Keine Funktion
		011 ⇔ 028	Weiß
		029 ⇔ 046	Weiß 2
		047 ⇔ 064	Weiß 3
		065 ⇔ 082	Weiß 4
		083 ⇔ 100	Weiß 5
		101 ⇔ 118	Weiß 6
		119 ⇔ 136	Weiß 7
		137 ⇔ 154	Weiß 8
		155 ⇔ 172	Weiß 9
		173 ⇔ 190	Weiß 10
		191 ⇔ 208	Weiß 11
		209 ⇔ 226	Weiß 12
		227 ⇔ 244	Weiß 13
245 ⇔ 255	Weiß 14		
8	Stroboskop	000 ⇔ 009	Keine Funktion
		010 ⇔ 099	Stroboskop, von langsam nach schnell
		100 ⇔ 109	Keine Funktion
		110 ⇔ 179	Pulse-Stroboskop, langsam nach schnell
		180 ⇔ 189	Keine Funktion
		190 ⇔ 255	Zufalls-Stroboskop, langsam nach schnell

1 RGB (3 Kanäle)

Kanal	Funktion	Wert	Prozent/Einstellung
1	Rot	000 ⇔ 255	0–100%
2	Grün	000 ⇔ 255	0–100%
3	Blau	000 ⇔ 255	0–100%

Over deze handleiding

De COLORado Batten 72X Beknopte Handleiding (BH) bevat basisinformatie over het product, zoals aansluiting, montage, menu-opties en DMX-waarden. Download de gebruikershandleiding op www.chauvetprofessional.com voor meer informatie.

Disclaimer

De informatie en specificaties in deze BH kunnen zonder voorafgaande kennisgeving worden gewijzigd.

BEPERKTE GARANTIE

GA NAAR ONZE WEBSITE VOOR REGISTRATIE VAN DE GARANTIE EN DE VOLLEDIGE ALGEMENE VOORWAARDEN.

Voor klanten in de Verenigde Staten en Mexico: www.chauvetlighting.com/warranty-registration.

Voor klanten in het Verenigd Koninkrijk, Ierland, België, Nederland, Luxemburg, Frankrijk en Duitsland: www.chauvetlighting.eu/warranty-registration.

Chauvet garandeert dat dit product bij normaal gebruik vrij zal blijven van defecten in materiaal en vakmanschap, voor de opgegeven periode en onder voorbehoud van de uitzonderingen en beperkingen die zijn uiteengezet in de volledige beperkte garantie op onze website. Deze garantie geldt uitsluitend voor de oorspronkelijke koper van het product en is niet overdraagbaar. Om onder deze garantie rechten uit te oefenen, moet u een aankoopbewijs overleggen in de vorm van een origineel verkoopbewijs van een geautoriseerde dealer, waarop de naam van het product en de aankoopdatum zichtbaar zijn. ER ZIJN GEEN ANDERE EXPLICIETE OF IMPLICIETE GARANTIES. Deze garantie geeft u specifieke wettelijke rechten. Mogelijk heeft u ook andere rechten die van staat tot staat en van land tot land verschillen. Deze garantie is uitsluitend geldig in de Verenigde Staten, het Verenigd Koninkrijk, Ierland, België, Nederland, Luxemburg, Frankrijk, Duitsland en Mexico. Neem contact op met uw lokale verkoper voor garantievoorwaarden in andere landen.

Veiligheidsinstructies

- Open het product NIET. Het bevat geen te onderhouden onderdelen.
- Om onnodige slijtage te elimineren en zijn levensduur te verlengen, gedurende perioden wanneer het product niet wordt gebruikt, moet u het product van de stroom afsluiten door een aardlekschakelaar om te zetten of door het te ontkoppelen.
- KIJK NIET in de lichtbron wanneer het apparaat is ingeschakeld.
- LET OP: De behuizing van dit product kan heet zijn wanneer het in bedrijf is.
- Monteer dit product op een plek met voldoende ventilatie, ten minste 50 cm van de aangrenzende oppervlakken.
- Plaats geen ontvlambaar materiaal binnen 50 cm van dit product als het in gebruik is of is aangesloten op het stopcontact.
- LET OP: Bij het verplaatsen van het product uit extreme omgevingen, (bijv. koude vrachtwagen naar warme, vochtige balzaal) kan er condensvorming optreden op de elektronica van het product. Om storingen te vermijden moet het product volledig kunnen acclimatiseren aan de omgeving voordat het op stroom wordt aangesloten.
- Niet voor permanente buiteninstallatie in locaties met extreme weersomstandigheden. Dit is met inbegrip van, maar niet beperkt tot:
 - Blootstelling aan een marien/zout milieu (binnen 5 km van zout water).
 - Waar de gebruikelijke hoge of lage temperaturen van de locatie de temperatuurbereiken in deze handleiding overschrijden.
 - Locaties die kunnen overstromen of onder sneeuw begraven kunnen worden.
 - Andere gebieden waar het product blootstaat aan extreme straling of bijtende substanties.
- GEBRUIK een veiligheidskabel bij het boven het hoofd plaatsen van dit product.
- Dit product NIET onderdopen (IP65). Regelmatig gebruik buitenshuis is prima.
- Gebruik dit product NIET als de behuizing, lenzen of kabels beschadigd lijken.
- Sluit dit product NIET aan op een dimmer of een regelweerstand.
- Sluit dit product UITSLUITEND op een geaard en beveiligd stroomcircuit.
- Gebruik UITSLUITEND de ophang-/montagebeugel om dit product te dragen.
- Stop in het geval van ernstige operationele problemen onmiddellijk met het gebruik.
- De maximale omgevingstemperatuur bedraagt 45 °C. Gebruik dit product niet bij hogere temperaturen.

Contact

Van buiten de VS, Verenigd Koninkrijk, Ierland, Benelux, Frankrijk, Duitsland of Mexico kunt u contact opnemen met de distributeur of om ondersteuning vragen dan wel het product retourneren. Raadpleeg [Contact Us](#) aan het einde van deze BH voor contactinformatie.

Wat is inbegrepen

- COLORado Batten 72X met verblindings scherm
- Seetronic Powerkon IP65 stroomsnoer
- Omegabeugels
- Beknopte handleiding

AC-stroom

Dit product heeft een voeding met automatisch bereik die werkt met een ingangsspanning van 100–240 VAC, 50/60 Hz.

Power Linking

U kunt tot 6 COLORado Batten 72X-producten koppelen bij 120 V, 17 COLORado Solo Batten-producten koppelen bij 208 V, of 19 producten bij 230 V. Dit aantal niet overschrijden. Power Linking-snoeren kunnen apart aangeschaft worden.

AC-stekker

Aansluiting	Snoer (VS)	Snoer (Europa)	Schroefkleur
AC Live	Zwart	Bruin	Geel/messing
AC Neutraal	Wit	Blauw	Zilver
AC Aarde	Groen/geel	Groen/geel	Groen



Om onnodige slijtage te elimineren en zijn levensduur te verlengen, gedurende perioden wanneer het product niet wordt gebruikt, moet u het product van de stroom afsluiten door een aardlekschakelaar om te zetten of door het te ontkoppelen.

DMX-koppeling

De COLORado Batten 72X kan met een DMX-controller werken met een 5-pins DMX seriële verbinding. Op www.chauvetprofessional.com is een DMX basishandleiding verkrijgbaar.

DMX-aansluiting

De COLORado Batten 72X gebruikt een 5-pins DMX-gegevensverbinding voor haar 18 bedieningspersoonlijkheden in een bereik van 3-kanaals tot 43-kanaals in 1-cel modi en 3-cel modi:

	RGB	RGB EXT	RGBA	RGBA EXT	RGBAW	RGBAW EXT	RGBAW FIN	RGBAW FUL	HSIC
1-cel	3	8	4	9	5	10	10	16	8
3-cel	9	21	12	24	15	27	30	43	22

Zie de gebruikershandleiding om te verbinden en te configureren voor DMX-werking.

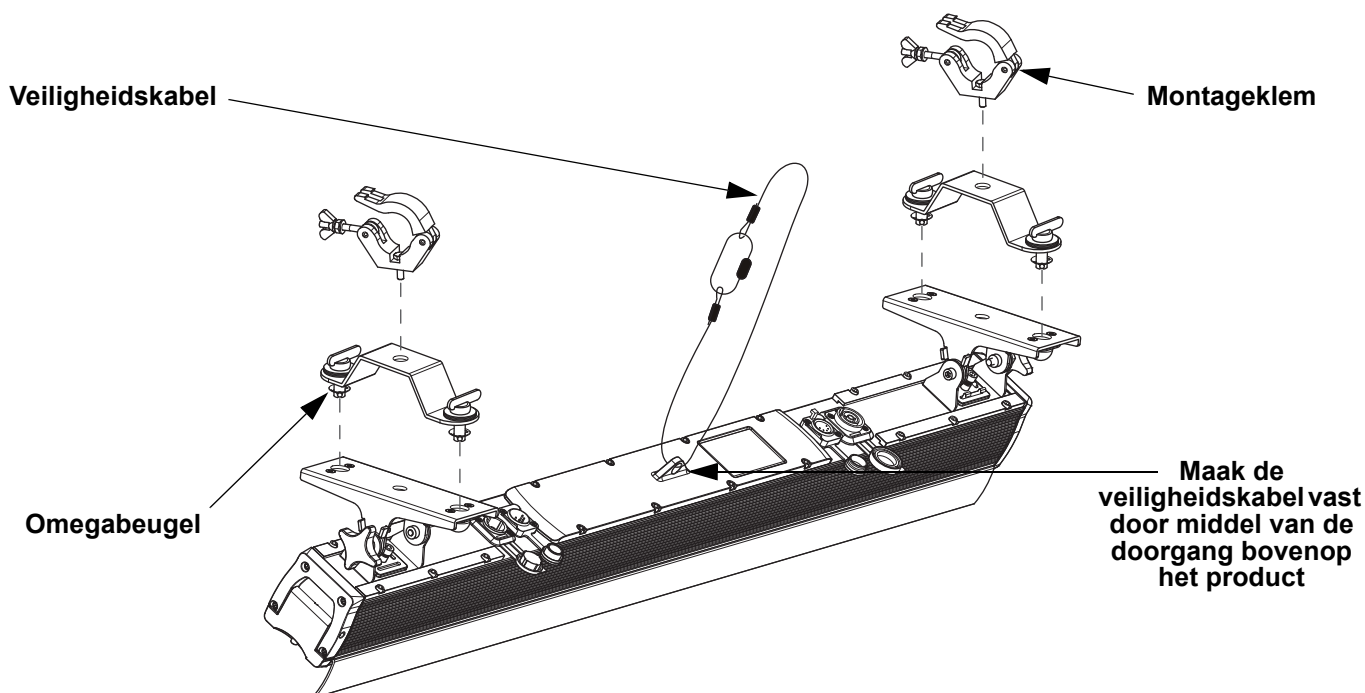
RDM (apparaatbeheer op afstand)

Remote Device Management of RDM (apparaatbeheer op afstand) is een standaard die het voor DMX-apparaten mogelijk maakt om in twee richtingen te communiceren over bestaande DMX-kabels. De COLORado Batten 72X ondersteunt het RDM-protocol dat zorgt feedback toelaat bij de bewaking van wijzigingen aan de menu map-opties van. Download de gebruikershandleiding op www.chauvetprofessional.com voor meer informatie.

Montage

Lees alvorens dit product te monteren alle [Veiligheidsinstructies](#). Gebruik ten minste twee montagepunten per product. Controleer of de montageklem het gewicht van het product kan dragen. Ga voor onze Chauvet-serie montageklemmen naar <http://trusst.com/productcategory/truss-clamps/>.

Montagediagram van het product



Beschrijving bedieningspaneel

Toets	Functie
<MENU>	Sluit het huidige menu of functie af
<ENTER>	Activeert het huidige getoonde menu of plaatst de huidige geselecteerde waarde in de geselecteerde functie
<UP>	Navigeert omhoog via het menu of verhoogt de numerieke waarde wanneer in een functie
<DOWN>	Navigeert omlaag via het menu of verlaagt de numerieke waarde wanneer in een functie

Menu-map

Hoofd-niveau	Programmeerniveaus	Beschrijving
Start Address	1-510*	Selecteert het start-adres (*hoogste kanaal beperkt tot de gekozen persoonlijkheid)
	1 RGB	3-kanaals: RGB
Personality	1 RGB EXT	8-kanaals: 16-bits dimmer, RGB, kleur macro, kleurtemperatuur, stroboscoop
	1 RGBA	4-kanaals: RGBA
	1 RGBA EXT	9-kanaals: 16-bits dimmer, RGBA, kleur macro, kleurtemperatuur, stroboscoop
	1 RGBAW	5-kanaals: RGBAW
	1 RGBAW EXT	10-kanaals: 16-bits dimmer, RGBAW, kleur macro, kleurtemperatuur, stroboscoop
	1 RGBAW FIN	10-kanaals: 16-bits RGBAW
	1 RGBAW FUL	16-kanaals: 16-bits dimmer, 16-bits RGBAW, kleur macro, kleurtemperatuur, stroboscoop, dimmersnelheid
	1 HSIC	8-kanaals: Dimmer, 16-bits tint, verzadiging, stroboscoop, kleur macro, kleurtemperatuur, dimmersnelheid
	3 RGB	9-kanaals (3-cel): RGB
	3 RGB EXT	21-kanaals (3-cel): 16-bits dimmer, RGB, kleur macro, kleurtemperatuur, stroboscoop
	3 RGBA	12-kanaals (3-cel): RGBA
	3 RGBA EXT	24-kanaals (3-cel): 16-bits dimmer, RGBA, kleur macro, kleurtemperatuur, stroboscoop
	3 RGBAW	15-kanaals (3-cel): RGBAW
	3 RGBAW EXT	27-kanaals (3-cel): 16-bits dimmer, RGBAW, kleur macro, kleurtemperatuur, stroboscoop
	3 RGBAW FIN	30-kanaals (3-cel): 16-bits RGBAW
	3 RGBAW FUL	43-kanaals (3-cel): 16-bits dimmer, 16-bits RGBAW, kleur macro, kleurtemperatuur, stroboscoop, dimmersnelheid
	3 HSIC	22-kanaals (3-cel): dimmer, 16-bits tint, verzadiging, stroboscoop, kleur macro, kleurtemperatuur, dimmersnelheid
Output Setting	Power Mode	Voorkomt dat de maximale temperatuur overschreden wordt door de intensiteit aan te passen
	Steady Mode	Gebruikt een lager intensiteit bij een constante niveau, om de maximale temperatuur niet te overschrijden
	Legacy Mode	Komt overeen met de intensiteit van de COLORado Batten 72 Tour

Hoofdniveau	Programmeerniveaus			Beschrijving	
Static Colors	Preset Colors	Color 1–14	Dimmer 0–100%	Vooraf ingestelde statische kleuren	
	CCT Temper	White 1–14		Vooraf ingestelde kleurtemperaturen	
	RGBAW	Red	Red 0–255	Combineert rood, groen, blauw, amber en wit om een aangepaste kleur te genereren	
		Green	Green 0–255		
		Blue	Blue 0–255		
Amber		Amber 0–255			
White	White 0–255				
Auto Programs	Run	AUTO.1–10	Speed 0–100	Selecteert automatische programma's en automatische programmasnelheid	
		Program 1–10			
	Edit	Program 1–10	SCENE-01–30	Red 0–255	Selecteert en bewerkt een instelbare programma
				Green 0–255	
				Blue 0–255	
				Amber 0–255	
White 0–255					
Master/Slave	Master			DMX-modus (Master)	
	Slave			Slave-modus	
Dimmer Mode	OFF			Lineaire dimmer	
	DIM1–4			Dimprofielen van DIM1 (snel) tot DIM4 (langzaam)	
LED Frequency	600Hz			Selecteert de PWM-uitgangsfrequentie	
	1200Hz				
	2000Hz				
	2400Hz				
	4000Hz				
	25000Hz				
Cell Order	1 – 3			Stelt de volgorde van de cellen in	
	3 – 1				
Setting	**** (Toegangscode invullen)	DMX Error/ Loss	Hold Last	Gaat verder met de laatste opdracht na verlies van DMX-regeling	
			Blackout	Verduistert de product na verlies van DMX	
		Disp TimeOut	On	De backlight van de display is altijd aan	
			10s	Schakelt de backlight van de display uit na 10s van inactiviteit	
			20s	Schakelt de backlight van de display uit na 20s van inactiviteit	
		Disp Passcode	30s	Schakelt de backlight van de display uit na 30s van inactiviteit	
On	Vergrendelt het display (toegangscode is <UP>, <DOWN>, <UP>, <DOWN>, <ENTER>)				
Information	Fixture Hours		____Hours	Toont het totale aantal producturen	
	Firmware Vers		V__	Toont de geïnstalleerde softwareversie	
	RDM	UID		Geeft de huidige UID	
		LABEL	Batten 72X	Toont de productnaam voor RDM	
Factory Reset	No			Herstellen naar de fabrieksstandaard	
	Yes				

NL

3-Cel DMX-waarden

3 HSIC (22 kanalen)

Kanaal	Functie	Waarde	Percentage/Instelling
1	Dimmer 1	000 ⇄ 255	0–100%
2	Tint 1	000 ⇄ 255	0–100%
3	Fijne tint 1	000 ⇄ 255	0–100%
4	Verzadiging 1	000 ⇄ 255	0–100%
5	Stroboscoop 1	000 ⇄ 009	Geen functie
		010 ⇄ 099	Stroboscoop, langzaam naar snel
		100 ⇄ 109	Geen functie
		110 ⇄ 179	Impulse stroboscoop, langzaam naar snel
		180 ⇄ 189	Geen functie
		190 ⇄ 255	Willekeurige stroboscoop, langzaam naar snel
6	Kleur macro's 1	000 ⇄ 010	Geen functie
		011 ⇄ 034	R: 100% G: 0–100% B: 0% A: 0% W: 0%
		035 ⇄ 059	R: 100–0% G: 100% B: 0% A: 0% W: 0%
		060 ⇄ 084	R: 0% G: 100% B: 0–100% A: 0% W: 0%
		084 ⇄ 109	R: 0% G: 100–0% B: 100% A: 0% W: 0%
		110 ⇄ 134	R: 0–100% G: 0% B: 100% A: 0% W: 0%
		134 ⇄ 159	R: 100% G: 0% B: 100–0% A: 0% W: 0%
		160 ⇄ 184	R: 100% G: 0–100% B: 0–100% A: 0% W: 0%
		184 ⇄ 209	R: 100–0% G: 100–0% B: 100% A: 0% W: 0%
		210 ⇄ 255	R: 100% G: 100% B: 100% A: 100% W: 100%
7	Kleurtemperaturen 1	000 ⇄ 010	Geen functie
		011 ⇄ 028	Wit 1
		029 ⇄ 046	Wit 2
		047 ⇄ 064	Wit 3
		065 ⇄ 082	Wit 4
		083 ⇄ 100	Wit 5
		101 ⇄ 118	Wit 6
		119 ⇄ 136	Wit 7
		137 ⇄ 154	Wit 8
		155 ⇄ 172	Wit 9
		173 ⇄ 190	Wit 10
		191 ⇄ 208	Wit 11
		209 ⇄ 226	Wit 12
		227 ⇄ 244	Wit 13
245 ⇄ 255	Wit 14		
8	Dimmer 2	000 ⇄ 255	0–100%
9	Tint 2	000 ⇄ 255	0–100%
10	Fijne tint 2	000 ⇄ 255	0–100%
11	Verzadiging 2	000 ⇄ 255	0–100%
12	Stroboscoop 2	000 ⇄ 009	Geen functie
		010 ⇄ 099	Stroboscoop, langzaam naar snel
		100 ⇄ 109	Geen functie
		110 ⇄ 179	Impulse stroboscoop, langzaam naar snel
		180 ⇄ 189	Geen functie
		190 ⇄ 255	Willekeurige stroboscoop, langzaam naar snel
13	Kleur macro's 2	000 ⇄ 010	Geen functie
		011 ⇄ 034	R: 100% G: 0–100% B: 0% A: 0% W: 0%
		035 ⇄ 059	R: 100–0% G: 100% B: 0% A: 0% W: 0%
		060 ⇄ 084	R: 0% G: 100% B: 0–100% A: 0% W: 0%
		084 ⇄ 109	R: 0% G: 100–0% B: 100% A: 0% W: 0%
		110 ⇄ 134	R: 0–100% G: 0% B: 100% A: 0% W: 0%
		134 ⇄ 159	R: 100% G: 0% B: 100–0% A: 0% W: 0%
		160 ⇄ 184	R: 100% G: 0–100% B: 0–100% A: 0% W: 0%
		184 ⇄ 209	R: 100–0% G: 100–0% B: 100% A: 0% W: 0%
		210 ⇄ 255	R: 100% G: 100% B: 100% A: 100% W: 100%

Kanaal	Functie	Waarde	Percentage/Instelling
14	Kleurtemperaturen 2	000 ⇔ 010	Geen functie
		011 ⇔ 028	Wit 1
		029 ⇔ 046	Wit 2
		047 ⇔ 064	Wit 3
		065 ⇔ 082	Wit 4
		083 ⇔ 100	Wit 5
		101 ⇔ 118	Wit 6
		119 ⇔ 136	Wit 7
		137 ⇔ 154	Wit 8
		155 ⇔ 172	Wit 9
		173 ⇔ 190	Wit 10
		191 ⇔ 208	Wit 11
		209 ⇔ 226	Wit 12
		227 ⇔ 244	Wit 13
245 ⇔ 255	Wit 14		
15	Dimmer 3	000 ⇔ 255	0–100%
16	Tint 3	000 ⇔ 255	0–100%
17	Fijne tint 3	000 ⇔ 255	0–100%
18	Verzadiging 3	000 ⇔ 255	0–100%
19	Stroboscoop 3	000 ⇔ 009	Geen functie
		010 ⇔ 099	Stroboscoop, langzaam naar snel
		100 ⇔ 109	Geen functie
		110 ⇔ 179	Impulse stroboscoop, langzaam naar snel
		180 ⇔ 189	Geen functie
		190 ⇔ 255	Willekeurige stroboscoop, langzaam naar snel
20	Kleur macro's 3	000 ⇔ 010	Geen functie
		011 ⇔ 034	R: 100% G: 0–100% B: 0% A: 0% W: 0%
		035 ⇔ 059	R: 100–0% G: 100% B: 0% A: 0% W: 0%
		060 ⇔ 084	R: 0% G: 100% B: 0–100% A: 0% W: 0%
		084 ⇔ 109	R: 0% G: 100–0% B: 100% A: 0% W: 0%
		110 ⇔ 134	R: 0–100% G: 0% B: 100% A: 0% W: 0%
		134 ⇔ 159	R: 100% G: 0% B: 100–0% A: 0% W: 0%
		160 ⇔ 184	R: 100% G: 0–100% B: 0–100% A: 0% W: 0%
		184 ⇔ 209	R: 100–0% G: 100–0% B: 100% A: 0% W: 0%
		210 ⇔ 255	R: 100% G: 100% B: 100% A: 100% W: 100%
21	Kleurtemperaturen 3	000 ⇔ 010	Geen functie
		011 ⇔ 028	Wit 1
		029 ⇔ 046	Wit 2
		047 ⇔ 064	Wit 3
		065 ⇔ 082	Wit 4
		083 ⇔ 100	Wit 5
		101 ⇔ 118	Wit 6
		119 ⇔ 136	Wit 7
		137 ⇔ 154	Wit 8
		155 ⇔ 172	Wit 9
		173 ⇔ 190	Wit 10
		191 ⇔ 208	Wit 11
		209 ⇔ 226	Wit 12
		227 ⇔ 244	Wit 13
245 ⇔ 255	Wit 14		
22	Dimmersnelheid	000 ⇔ 009	Voorinstelling van de dimmersnelheid vanaf het displaymenu
		010 ⇔ 029	Dimmer snelheidsmodus uit
		030 ⇔ 069	Dimmer snelheidsmodus 1 (snel)
		070 ⇔ 129	Dimmer snelheidsmodus 2
		130 ⇔ 189	Dimmer snelheidsmodus 3
		190 ⇔ 255	Dimmer snelheidsmodus 4 (langzaam)

3 RGBAW FUL (43 kanalen)

Kanaal	Functie	Waarde	Percentage/Instelling
1	Dimmer	000 ⇄ 255	0–100%
2	Fijne dimmer	000 ⇄ 255	0–100%
3	Rood 1	000 ⇄ 255	0–100%
4	Fijn rood 1	000 ⇄ 255	0–100%
5	Groen 1	000 ⇄ 255	0–100%
6	Fijn groen 1	000 ⇄ 255	0–100%
7	Blauw 1	000 ⇄ 255	0–100%
8	Fijn blauw 1	000 ⇄ 255	0–100%
9	Amber 1	000 ⇄ 255	0–100%
10	Fijn amber 1	000 ⇄ 255	0–100%
11	Wit 1	000 ⇄ 255	0–100%
12	Fijn wit 1	000 ⇄ 255	0–100%
13	Kleur macro's 1	000 ⇄ 010	Geen functie
		011 ⇄ 034	R: 100% G: 0–100% B: 0% A: 0% W: 0%
		035 ⇄ 059	R: 100–0% G: 100% B: 0% A: 0% W: 0%
		060 ⇄ 084	R: 0% G: 100% B: 0–100% A: 0% W: 0%
		084 ⇄ 109	R: 0% G: 100–0% B: 100% A: 0% W: 0%
		110 ⇄ 134	R: 0–100% G: 0% B: 100% A: 0% W: 0%
		134 ⇄ 159	R: 100% G: 0% B: 100–0% A: 0% W: 0%
		160 ⇄ 184	R: 100% G: 0–100% B: 0–100% A: 0% W: 0%
184 ⇄ 209	R: 100–0% G: 100–0% B: 100% A: 0% W: 0%		
210 ⇄ 255	R: 100% G: 100% B: 100% A: 100% W: 100%		
14	Kleurtemperaturen 1	000 ⇄ 010	Geen functie
		011 ⇄ 028	Wit 1
		029 ⇄ 046	Wit 2
		047 ⇄ 064	Wit 3
		065 ⇄ 082	Wit 4
		083 ⇄ 100	Wit 5
		101 ⇄ 118	Wit 6
		119 ⇄ 136	Wit 7
		137 ⇄ 154	Wit 8
		155 ⇄ 172	Wit 9
		173 ⇄ 190	Wit 10
		191 ⇄ 208	Wit 11
		209 ⇄ 226	Wit 12
		227 ⇄ 244	Wit 13
245 ⇄ 255	Wit 14		
15	Stroboscoop 1	000 ⇄ 009	Geen functie
		010 ⇄ 099	Stroboscoop, langzaam naar snel
		100 ⇄ 109	Geen functie
		110 ⇄ 179	Impulse stroboscoop, langzaam naar snel
		180 ⇄ 189	Geen functie
		190 ⇄ 255	Willekeurige stroboscoop, langzaam naar snel
16	Rood 2	000 ⇄ 255	0–100%
17	Fijn rood 2	000 ⇄ 255	0–100%
18	Groen 2	000 ⇄ 255	0–100%
19	Fijn groen 2	000 ⇄ 255	0–100%
20	Blauw 2	000 ⇄ 255	0–100%
21	Fijn blauw 2	000 ⇄ 255	0–100%
22	Amber 2	000 ⇄ 255	0–100%
23	Fijn amber 2	000 ⇄ 255	0–100%
24	Wit 2	000 ⇄ 255	0–100%
25	Fijn wit 2	000 ⇄ 255	0–100%

Kanaal	Functie	Waarde	Percentage/Instelling
26	Kleur macro's 2	000 ⇔ 010	Geen functie
		011 ⇔ 034	R: 100% G: 0-100% B: 0% A: 0% W: 0%
		035 ⇔ 059	R: 100-0% G: 100% B: 0% A: 0% W: 0%
		060 ⇔ 084	R: 0% G: 100% B: 0-100% A: 0% W: 0%
		084 ⇔ 109	R: 0% G: 100-0% B: 100% A: 0% W: 0%
		110 ⇔ 134	R: 0-100% G: 0% B: 100% A: 0% W: 0%
		134 ⇔ 159	R: 100% G: 0% B: 100-0% A: 0% W: 0%
		160 ⇔ 184	R: 100% G: 0-100% B: 0-100% A: 0% W: 0%
		184 ⇔ 209	R: 100-0% G: 100-0% B: 100% A: 0% W: 0%
		210 ⇔ 255	R: 100% G: 100% B: 100% A: 100% W: 100%
27	Kleurtemperaturen 2	000 ⇔ 010	Geen functie
		011 ⇔ 028	Wit 1
		029 ⇔ 046	Wit 2
		047 ⇔ 064	Wit 3
		065 ⇔ 082	Wit 4
		083 ⇔ 100	Wit 5
		101 ⇔ 118	Wit 6
		119 ⇔ 136	Wit 7
		137 ⇔ 154	Wit 8
		155 ⇔ 172	Wit 9
		173 ⇔ 190	Wit 10
		191 ⇔ 208	Wit 11
		209 ⇔ 226	Wit 12
		227 ⇔ 244	Wit 13
245 ⇔ 255	Wit 14		
28	Stroboscoop 2	000 ⇔ 009	Geen functie
		010 ⇔ 099	Stroboscoop, langzaam naar snel
		100 ⇔ 109	Geen functie
		110 ⇔ 179	Impulse stroboscoop, langzaam naar snel
		180 ⇔ 189	Geen functie
		190 ⇔ 255	Willekeurige stroboscoop, langzaam naar snel
29	Rood 3	000 ⇔ 255	0-100%
30	Fijn rood 3	000 ⇔ 255	0-100%
31	Groen 3	000 ⇔ 255	0-100%
32	Fijn groen 3	000 ⇔ 255	0-100%
33	Blauw 3	000 ⇔ 255	0-100%
34	Fijn blauw 3	000 ⇔ 255	0-100%
35	Amber 3	000 ⇔ 255	0-100%
36	Fijn amber 3	000 ⇔ 255	0-100%
37	Wit 3	000 ⇔ 255	0-100%
38	Fijn wit 3	000 ⇔ 255	0-100%
39	Kleur macro's 3	000 ⇔ 010	Geen functie
		011 ⇔ 034	R: 100% G: 0-100% B: 0% A: 0% W: 0%
		035 ⇔ 059	R: 100-0% G: 100% B: 0% A: 0% W: 0%
		060 ⇔ 084	R: 0% G: 100% B: 0-100% A: 0% W: 0%
		084 ⇔ 109	R: 0% G: 100-0% B: 100% A: 0% W: 0%
		110 ⇔ 134	R: 0-100% G: 0% B: 100% A: 0% W: 0%
		134 ⇔ 159	R: 100% G: 0% B: 100-0% A: 0% W: 0%
		160 ⇔ 184	R: 100% G: 0-100% B: 0-100% A: 0% W: 0%
		184 ⇔ 209	R: 100-0% G: 100-0% B: 100% A: 0% W: 0%
		210 ⇔ 255	R: 100% G: 100% B: 100% A: 100% W: 100%

Kanaal	Functie	Waarde	Percentage/Instelling
40	Kleurtemperaturen 3	000 ⇔ 010	Geen functie
		011 ⇔ 028	Wit 1
		029 ⇔ 046	Wit 2
		047 ⇔ 064	Wit 3
		065 ⇔ 082	Wit 4
		083 ⇔ 100	Wit 5
		101 ⇔ 118	Wit 6
		119 ⇔ 136	Wit 7
		137 ⇔ 154	Wit 8
		155 ⇔ 172	Wit 9
		173 ⇔ 190	Wit 10
		191 ⇔ 208	Wit 11
		209 ⇔ 226	Wit 12
		227 ⇔ 244	Wit 13
245 ⇔ 255	Wit 14		
41	Stroboscoop 3	000 ⇔ 009	Geen functie
		010 ⇔ 099	Stroboscoop, langzaam naar snel
		100 ⇔ 109	Geen functie
		110 ⇔ 179	Impulse stroboscoop, langzaam naar snel
		180 ⇔ 189	Geen functie
		190 ⇔ 255	Willekeurige stroboscoop, langzaam naar snel
42	Alles stroboscoop	000 ⇔ 009	Geen functie
		010 ⇔ 099	Stroboscoop, langzaam naar snel
		100 ⇔ 109	Geen functie
		110 ⇔ 179	Impulse stroboscoop, langzaam naar snel
		180 ⇔ 189	Geen functie
		190 ⇔ 255	Willekeurige stroboscoop, langzaam naar snel
43	Dimmersnelheid	000 ⇔ 009	Voorinstelling van de dimmersnelheid vanaf het displaymenu
		010 ⇔ 029	Dimmer snelheidsmodus uit
		030 ⇔ 069	Dimmer snelheidsmodus 1 (snel)
		070 ⇔ 129	Dimmer snelheidsmodus 2
		130 ⇔ 189	Dimmer snelheidsmodus 3
		190 ⇔ 255	Dimmer snelheidsmodus 4 (langzaam)

3 RGBAW FIN (30 kanalen)

Kanaal	Functie	Waarde	Percentage/Instelling
1	Rood 1	000 ⇔ 255	0–100%
2	Fijn rood 1	000 ⇔ 255	0–100%
3	Groen 1	000 ⇔ 255	0–100%
4	Fijn groen 1	000 ⇔ 255	0–100%
5	Blauw 1	000 ⇔ 255	0–100%
6	Fijn blauw 1	000 ⇔ 255	0–100%
7	Amber 1	000 ⇔ 255	0–100%
8	Fijn amber 1	000 ⇔ 255	0–100%
9	Wit 1	000 ⇔ 255	0–100%
10	Fijn wit 1	000 ⇔ 255	0–100%
11	Rood 2	000 ⇔ 255	0–100%
12	Fijn rood 2	000 ⇔ 255	0–100%
13	Groen 2	000 ⇔ 255	0–100%
14	Fijn groen 2	000 ⇔ 255	0–100%
15	Blauw 2	000 ⇔ 255	0–100%
16	Fijn blauw 2	000 ⇔ 255	0–100%
17	Amber 2	000 ⇔ 255	0–100%
18	Fijn amber 2	000 ⇔ 255	0–100%
19	Wit 2	000 ⇔ 255	0–100%

Kanaal	Functie	Waarde	Percentage/Instelling
20	Fijn wit 2	000 ⇔ 255	0–100%
21	Rood 3	000 ⇔ 255	0–100%
22	Fijn rood 3	000 ⇔ 255	0–100%
23	Groen 3	000 ⇔ 255	0–100%
24	Fijn groen 3	000 ⇔ 255	0–100%
25	Blauw 3	000 ⇔ 255	0–100%
26	Fijn blauw 3	000 ⇔ 255	0–100%
27	Amber 3	000 ⇔ 255	0–100%
28	Fijn amber 3	000 ⇔ 255	0–100%
29	Wit 3	000 ⇔ 255	0–100%
30	Fijn wit 3	000 ⇔ 255	0–100%

3 RGBAW EXT (27 kanalen)

Kanaal	Functie	Waarde	Percentage/Instelling
1	Dimmer	000 ⇔ 255	0–100%
2	Fijne Dimmer	000 ⇔ 255	0–100%
3	Rood 1	000 ⇔ 255	0–100%
4	Groen 1	000 ⇔ 255	0–100%
5	Blauw 1	000 ⇔ 255	0–100%
6	Amber 1	000 ⇔ 255	0–100%
7	Wit 1	000 ⇔ 255	0–100%
8	Kleur macro's 1	000 ⇔ 010	Geen functie
		011 ⇔ 034	R: 100% G: 0–100% B: 0% A: 0% W: 0%
		035 ⇔ 059	R: 100–0% G: 100% B: 0% A: 0% W: 0%
		060 ⇔ 084	R: 0% G: 100% B: 0–100% A: 0% W: 0%
		084 ⇔ 109	R: 0% G: 100–0% B: 100% A: 0% W: 0%
		110 ⇔ 134	R: 0–100% G: 0% B: 100% A: 0% W: 0%
		134 ⇔ 159	R: 100% G: 0% B: 100–0% A: 0% W: 0%
		160 ⇔ 184	R: 100% G: 0–100% B: 0–100% A: 0% W: 0%
184 ⇔ 209	R: 100–0% G: 100–0% B: 100% A: 0% W: 0%		
210 ⇔ 255	R: 100% G: 100% B: 100% A: 100% W: 100%		
9	Kleurtemperaturen 1	000 ⇔ 010	Geen functie
		011 ⇔ 028	Wit 1
		029 ⇔ 046	Wit 2
		047 ⇔ 064	Wit 3
		065 ⇔ 082	Wit 4
		083 ⇔ 100	Wit 5
		101 ⇔ 118	Wit 6
		119 ⇔ 136	Wit 7
		137 ⇔ 154	Wit 8
		155 ⇔ 172	Wit 9
		173 ⇔ 190	Wit 10
		191 ⇔ 208	Wit 11
		209 ⇔ 226	Wit 12
		227 ⇔ 244	Wit 13
245 ⇔ 255	Wit 14		
10	Stroboscoop 1	000 ⇔ 009	Geen functie
		010 ⇔ 099	Stroboscoop, langzaam naar snel
		100 ⇔ 109	Geen functie
		110 ⇔ 179	Impulse stroboscoop, langzaam naar snel
		180 ⇔ 189	Geen functie
		190 ⇔ 255	Willekeurige stroboscoop, langzaam naar snel
11	Rood 2	000 ⇔ 255	0–100%
12	Groen 2	000 ⇔ 255	0–100%
13	Blauw 2	000 ⇔ 255	0–100%

Kanaal	Functie	Waarde	Percentage/Instelling
14	Amber 2	000 ⇄ 255	0–100%
15	Wit 2	000 ⇄ 255	0–100%
16	Kleur macro's 2	000 ⇄ 010	Geen functie
		011 ⇄ 034	R: 100% G: 0–100% B: 0% A: 0% W: 0%
		035 ⇄ 059	R: 100–0% G: 100% B: 0% A: 0% W: 0%
		060 ⇄ 084	R: 0% G: 100% B: 0–100% A: 0% W: 0%
		084 ⇄ 109	R: 0% G: 100–0% B: 100% A: 0% W: 0%
		110 ⇄ 134	R: 0–100% G: 0% B: 100% A: 0% W: 0%
		134 ⇄ 159	R: 100% G: 0% B: 100–0% A: 0% W: 0%
		160 ⇄ 184	R: 100% G: 0–100% B: 0–100% A: 0% W: 0%
		184 ⇄ 209	R: 100–0% G: 100–0% B: 100% A: 0% W: 0%
210 ⇄ 255	R: 100% G: 100% B: 100% A: 100% W: 100%		
17	Kleurtemperaturen 2	000 ⇄ 010	Geen functie
		011 ⇄ 028	Wit 1
		029 ⇄ 046	Wit 2
		047 ⇄ 064	Wit 3
		065 ⇄ 082	Wit 4
		083 ⇄ 100	Wit 5
		101 ⇄ 118	Wit 6
		119 ⇄ 136	Wit 7
		137 ⇄ 154	Wit 8
		155 ⇄ 172	Wit 9
		173 ⇄ 190	Wit 10
		191 ⇄ 208	Wit 11
		209 ⇄ 226	Wit 12
		227 ⇄ 244	Wit 13
245 ⇄ 255	Wit 14		
18	Stroboscoop 2	000 ⇄ 009	Geen functie
		010 ⇄ 099	Stroboscoop, langzaam naar snel
		100 ⇄ 109	Geen functie
		110 ⇄ 179	Impulse stroboscoop, langzaam naar snel
		180 ⇄ 189	Geen functie
		190 ⇄ 255	Willekeurige stroboscoop, langzaam naar snel
19	Rood 3	000 ⇄ 255	0–100%
20	Groen 3	000 ⇄ 255	0–100%
21	Blauw 3	000 ⇄ 255	0–100%
22	Amber 3	000 ⇄ 255	0–100%
23	Wit 3	000 ⇄ 255	0–100%
24	Kleur macro's 3	000 ⇄ 010	Geen functie
		011 ⇄ 034	R: 100% G: 0–100% B: 0% A: 0% W: 0%
		035 ⇄ 059	R: 100–0% G: 100% B: 0% A: 0% W: 0%
		060 ⇄ 084	R: 0% G: 100% B: 0–100% A: 0% W: 0%
		084 ⇄ 109	R: 0% G: 100–0% B: 100% A: 0% W: 0%
		110 ⇄ 134	R: 0–100% G: 0% B: 100% A: 0% W: 0%
		134 ⇄ 159	R: 100% G: 0% B: 100–0% A: 0% W: 0%
		160 ⇄ 184	R: 100% G: 0–100% B: 0–100% A: 0% W: 0%
		184 ⇄ 209	R: 100–0% G: 100–0% B: 100% A: 0% W: 0%
210 ⇄ 255	R: 100% G: 100% B: 100% A: 100% W: 100%		

Kanaal	Functie	Waarde	Percentage/Instelling
25	Kleurtemperaturen 3	000 ⇔ 010	Geen functie
		011 ⇔ 028	Wit 1
		029 ⇔ 046	Wit 2
		047 ⇔ 064	Wit 3
		065 ⇔ 082	Wit 4
		083 ⇔ 100	Wit 5
		101 ⇔ 118	Wit 6
		119 ⇔ 136	Wit 7
		137 ⇔ 154	Wit 8
		155 ⇔ 172	Wit 9
		173 ⇔ 190	Wit 10
		191 ⇔ 208	Wit 11
		209 ⇔ 226	Wit 12
		227 ⇔ 244	Wit 13
245 ⇔ 255	Wit 14		
26	Stroboscoop 3	000 ⇔ 009	Geen functie
		010 ⇔ 099	Stroboscoop, langzaam naar snel
		100 ⇔ 109	Geen functie
		110 ⇔ 179	Impulse stroboscoop, langzaam naar snel
		180 ⇔ 189	Geen functie
		190 ⇔ 255	Willekeurige stroboscoop, langzaam naar snel
27	Alles stroboscoop	000 ⇔ 009	Geen functie
		010 ⇔ 099	Stroboscoop, langzaam naar snel
		100 ⇔ 109	Geen functie
		110 ⇔ 179	Impulse stroboscoop, langzaam naar snel
		180 ⇔ 189	Geen functie
		190 ⇔ 255	Willekeurige stroboscoop, langzaam naar snel

3 RGBAW (15 kanalen)

Kanaal	Functie	Waarde	Percentage/Instelling
1	Rood 1	000 ⇔ 255	0–100%
2	Groen 1	000 ⇔ 255	0–100%
3	Blauw 1	000 ⇔ 255	0–100%
4	Amber 1	000 ⇔ 255	0–100%
5	Wit 1	000 ⇔ 255	0–100%
6	Rood 2	000 ⇔ 255	0–100%
7	Groen 2	000 ⇔ 255	0–100%
8	Blauw 2	000 ⇔ 255	0–100%
9	Amber 2	000 ⇔ 255	0–100%
10	Wit 2	000 ⇔ 255	0–100%
11	Rood 3	000 ⇔ 255	0–100%
12	Groen 3	000 ⇔ 255	0–100%
13	Blauw 3	000 ⇔ 255	0–100%
14	Amber 3	000 ⇔ 255	0–100%
15	Wit 3	000 ⇔ 255	0–100%

3 RGBA EXT (24 kanalen)

Kanaal	Functie	Waarde	Percentage/Instelling
1	Dimmer	000 ⇔ 255	0–100%
2	Fijne Dimmer	000 ⇔ 255	0–100%
3	Rood 1	000 ⇔ 255	0–100%
4	Groen 1	000 ⇔ 255	0–100%
5	Blauw 1	000 ⇔ 255	0–100%
6	Amber 1	000 ⇔ 255	0–100%

Kanaal	Functie	Waarde	Percentage/Instelling
7	Kleur macro's 1	000 ⇄ 010	Geen functie
		011 ⇄ 034	R: 100% G: 0-100% B: 0% A: 0% W: 0%
		035 ⇄ 059	R: 100-0% G: 100% B: 0% A: 0% W: 0%
		060 ⇄ 084	R: 0% G: 100% B: 0-100% A: 0% W: 0%
		084 ⇄ 109	R: 0% G: 100-0% B: 100% A: 0% W: 0%
		110 ⇄ 134	R: 0-100% G: 0% B: 100% A: 0% W: 0%
		134 ⇄ 159	R: 100% G: 0% B: 100-0% A: 0% W: 0%
		160 ⇄ 184	R: 100% G: 0-100% B: 0-100% A: 0% W: 0%
		184 ⇄ 209	R: 100-0% G: 100-0% B: 100% A: 0% W: 0%
		210 ⇄ 255	R: 100% G: 100% B: 100% A: 100% W: 100%
8	Kleurtemperaturen 1	000 ⇄ 010	Geen functie
		011 ⇄ 028	Wit 1
		029 ⇄ 046	Wit 2
		047 ⇄ 064	Wit 3
		065 ⇄ 082	Wit 4
		083 ⇄ 100	Wit 5
		101 ⇄ 118	Wit 6
		119 ⇄ 136	Wit 7
		137 ⇄ 154	Wit 8
		155 ⇄ 172	Wit 9
		173 ⇄ 190	Wit 10
		191 ⇄ 208	Wit 11
		209 ⇄ 226	Wit 12
		227 ⇄ 244	Wit 13
		245 ⇄ 255	Wit 14
9	Stroboscoop 1	000 ⇄ 009	Geen functie
		010 ⇄ 099	Stroboscoop, langzaam naar snel
		100 ⇄ 109	Geen functie
		110 ⇄ 179	Impulse stroboscoop, langzaam naar snel
		180 ⇄ 189	Geen functie
		190 ⇄ 255	Willekeurige stroboscoop, langzaam naar snel
10	Rood 2	000 ⇄ 255	0-100%
11	Groen 2	000 ⇄ 255	0-100%
12	Blauw 2	000 ⇄ 255	0-100%
13	Amber 2	000 ⇄ 255	0-100%
14	Kleur macro's 2	000 ⇄ 010	Geen functie
		011 ⇄ 034	R: 100% G: 0-100% B: 0% A: 0% W: 0%
		035 ⇄ 059	R: 100-0% G: 100% B: 0% A: 0% W: 0%
		060 ⇄ 084	R: 0% G: 100% B: 0-100% A: 0% W: 0%
		084 ⇄ 109	R: 0% G: 100-0% B: 100% A: 0% W: 0%
		110 ⇄ 134	R: 0-100% G: 0% B: 100% A: 0% W: 0%
		134 ⇄ 159	R: 100% G: 0% B: 100-0% A: 0% W: 0%
		160 ⇄ 184	R: 100% G: 0-100% B: 0-100% A: 0% W: 0%
		184 ⇄ 209	R: 100-0% G: 100-0% B: 100% A: 0% W: 0%
		210 ⇄ 255	R: 100% G: 100% B: 100% A: 100% W: 100%

Kanaal	Functie	Waarde	Percentage/Instelling
15	Kleurtemperaturen 2	000 ⇔ 010	Geen functie
		011 ⇔ 028	Wit 1
		029 ⇔ 046	Wit 2
		047 ⇔ 064	Wit 3
		065 ⇔ 082	Wit 4
		083 ⇔ 100	Wit 5
		101 ⇔ 118	Wit 6
		119 ⇔ 136	Wit 7
		137 ⇔ 154	Wit 8
		155 ⇔ 172	Wit 9
		173 ⇔ 190	Wit 10
		191 ⇔ 208	Wit 11
		209 ⇔ 226	Wit 12
		227 ⇔ 244	Wit 13
245 ⇔ 255	Wit 14		
16	Stroboscoop 2	000 ⇔ 009	Geen functie
		010 ⇔ 099	Stroboscoop, langzaam naar snel
		100 ⇔ 109	Geen functie
		110 ⇔ 179	Impulse stroboscoop, langzaam naar snel
		180 ⇔ 189	Geen functie
		190 ⇔ 255	Willekeurige stroboscoop, langzaam naar snel
17	Rood 3	000 ⇔ 255	0–100%
18	Groen 3	000 ⇔ 255	0–100%
19	Blauw 3	000 ⇔ 255	0–100%
20	Amber 3	000 ⇔ 255	0–100%
21	Kleur macro's 3	000 ⇔ 010	Geen functie
		011 ⇔ 034	R: 100% G: 0–100% B: 0% A: 0% W: 0%
		035 ⇔ 059	R: 100–0% G: 100% B: 0% A: 0% W: 0%
		060 ⇔ 084	R: 0% G: 100% B: 0–100% A: 0% W: 0%
		084 ⇔ 109	R: 0% G: 100–0% B: 100% A: 0% W: 0%
		110 ⇔ 134	R: 0–100% G: 0% B: 100% A: 0% W: 0%
		134 ⇔ 159	R: 100% G: 0% B: 100–0% A: 0% W: 0%
		160 ⇔ 184	R: 100% G: 0–100% B: 0–100% A: 0% W: 0%
		184 ⇔ 209	R: 100–0% G: 100–0% B: 100% A: 0% W: 0%
		210 ⇔ 255	R: 100% G: 100% B: 100% A: 100% W: 100%
22	Kleurtemperaturen 3	000 ⇔ 010	Geen functie
		011 ⇔ 028	Wit 1
		029 ⇔ 046	Wit 2
		047 ⇔ 064	Wit 3
		065 ⇔ 082	Wit 4
		083 ⇔ 100	Wit 5
		101 ⇔ 118	Wit 6
		119 ⇔ 136	Wit 7
		137 ⇔ 154	Wit 8
		155 ⇔ 172	Wit 9
		173 ⇔ 190	Wit 10
		191 ⇔ 208	Wit 11
		209 ⇔ 226	Wit 12
		227 ⇔ 244	Wit 13
245 ⇔ 255	Wit 14		

Kanaal	Functie	Waarde	Percentage/Instelling
23	Stroboscoop 3	000 ⇔ 009	Geen functie
		010 ⇔ 099	Stroboscoop, langzaam naar snel
		100 ⇔ 109	Geen functie
		110 ⇔ 179	Impulse stroboscoop, langzaam naar snel
		180 ⇔ 189	Geen functie
		190 ⇔ 255	Willekeurige stroboscoop, langzaam naar snel
24	Alles stroboscoop	000 ⇔ 009	Geen functie
		010 ⇔ 099	Stroboscoop, langzaam naar snel
		100 ⇔ 109	Geen functie
		110 ⇔ 179	Impulse stroboscoop, langzaam naar snel
		180 ⇔ 189	Geen functie
		190 ⇔ 255	Willekeurige stroboscoop, langzaam naar snel

3 RGBA (12 kanalen)

Kanaal	Functie	Waarde	Percentage/Instelling
1	Rood 1	000 ⇔ 255	0–100%
2	Groen 1	000 ⇔ 255	0–100%
3	Blauw 1	000 ⇔ 255	0–100%
4	Amber 1	000 ⇔ 255	0–100%
5	Rood 2	000 ⇔ 255	0–100%
6	Groen 2	000 ⇔ 255	0–100%
7	Blauw 2	000 ⇔ 255	0–100%
8	Amber 2	000 ⇔ 255	0–100%
9	Rood 3	000 ⇔ 255	0–100%
10	Groen 3	000 ⇔ 255	0–100%
11	Blauw 3	000 ⇔ 255	0–100%
12	Amber 3	000 ⇔ 255	0–100%

3 RGB EXT (21 kanalen)

Kanaal	Functie	Waarde	Percentage/Instelling
1	Dimmer	000 ⇔ 255	0–100%
2	Fijne Dimmer	000 ⇔ 255	0–100%
3	Rood 1	000 ⇔ 255	0–100%
4	Groen 1	000 ⇔ 255	0–100%
5	Blauw 1	000 ⇔ 255	0–100%
6	Kleur macro's 1	000 ⇔ 010	Geen functie
		011 ⇔ 034	R: 100% G: 0–100% B: 0% A: 0% W: 0%
		035 ⇔ 059	R: 100–0% G: 100% B: 0% A: 0% W: 0%
		060 ⇔ 084	R: 0% G: 100% B: 0–100% A: 0% W: 0%
		084 ⇔ 109	R: 0% G: 100–0% B: 100% A: 0% W: 0%
		110 ⇔ 134	R: 0–100% G: 0% B: 100% A: 0% W: 0%
		134 ⇔ 159	R: 100% G: 0% B: 100–0% A: 0% W: 0%
		160 ⇔ 184	R: 100% G: 0–100% B: 0–100% A: 0% W: 0%
		184 ⇔ 209	R: 100–0% G: 100–0% B: 100% A: 0% W: 0%
		210 ⇔ 255	R: 100% G: 100% B: 100% A: 100% W: 100%

Kanaal	Functie	Waarde	Percentage/Instelling
7	Kleurtemperaturen 1	000 ⇔ 010	Geen functie
		011 ⇔ 028	Wit 1
		029 ⇔ 046	Wit 2
		047 ⇔ 064	Wit 3
		065 ⇔ 082	Wit 4
		083 ⇔ 100	Wit 5
		101 ⇔ 118	Wit 6
		119 ⇔ 136	Wit 7
		137 ⇔ 154	Wit 8
		155 ⇔ 172	Wit 9
		173 ⇔ 190	Wit 10
		191 ⇔ 208	Wit 11
		209 ⇔ 226	Wit 12
		227 ⇔ 244	Wit 13
245 ⇔ 255	Wit 14		
8	Stroboscoop 1	000 ⇔ 009	Geen functie
		010 ⇔ 099	Stroboscoop, langzaam naar snel
		100 ⇔ 109	Geen functie
		110 ⇔ 179	Impulse stroboscoop, langzaam naar snel
		180 ⇔ 189	Geen functie
		190 ⇔ 255	Willekeurige stroboscoop, langzaam naar snel
9	Rood 2	000 ⇔ 255	0–100%
10	Groen 2	000 ⇔ 255	0–100%
11	Blauw 2	000 ⇔ 255	0–100%
12	Kleur macro's 2	000 ⇔ 010	Geen functie
		011 ⇔ 034	R: 100% G: 0–100% B: 0% A: 0% W: 0%
		035 ⇔ 059	R: 100–0% G: 100% B: 0% A: 0% W: 0%
		060 ⇔ 084	R: 0% G: 100% B: 0–100% A: 0% W: 0%
		084 ⇔ 109	R: 0% G: 100–0% B: 100% A: 0% W: 0%
		110 ⇔ 134	R: 0–100% G: 0% B: 100% A: 0% W: 0%
		134 ⇔ 159	R: 100% G: 0% B: 100–0% A: 0% W: 0%
		160 ⇔ 184	R: 100% G: 0–100% B: 0–100% A: 0% W: 0%
		184 ⇔ 209	R: 100–0% G: 100–0% B: 100% A: 0% W: 0%
		210 ⇔ 255	R: 100% G: 100% B: 100% A: 100% W: 100%
13	Kleurtemperaturen 2	000 ⇔ 010	Geen functie
		011 ⇔ 028	Wit 1
		029 ⇔ 046	Wit 2
		047 ⇔ 064	Wit 3
		065 ⇔ 082	Wit 4
		083 ⇔ 100	Wit 5
		101 ⇔ 118	Wit 6
		119 ⇔ 136	Wit 7
		137 ⇔ 154	Wit 8
		155 ⇔ 172	Wit 9
		173 ⇔ 190	Wit 10
		191 ⇔ 208	Wit 11
		209 ⇔ 226	Wit 12
		227 ⇔ 244	Wit 13
245 ⇔ 255	Wit 14		
14	Stroboscoop 2	000 ⇔ 009	Geen functie
		010 ⇔ 099	Stroboscoop, langzaam naar snel
		100 ⇔ 109	Geen functie
		110 ⇔ 179	Impulse stroboscoop, langzaam naar snel
		180 ⇔ 189	Geen functie
		190 ⇔ 255	Willekeurige stroboscoop, langzaam naar snel

Kanaal	Functie	Waarde	Percentage/Instelling
15	Rood 3	000 ⇄ 255	0–100%
16	Groen 3	000 ⇄ 255	0–100%
17	Blauw 3	000 ⇄ 255	0–100%
18	Kleur macro's	000 ⇄ 010	Geen functie
		011 ⇄ 034	R: 100% G: 0–100% B: 0% A: 0% W: 0%
		035 ⇄ 059	R: 100–0% G: 100% B: 0% A: 0% W: 0%
		060 ⇄ 084	R: 0% G: 100% B: 0–100% A: 0% W: 0%
		084 ⇄ 109	R: 0% G: 100–0% B: 100% A: 0% W: 0%
		110 ⇄ 134	R: 0–100% G: 0% B: 100% A: 0% W: 0%
		134 ⇄ 159	R: 100% G: 0% B: 100–0% A: 0% W: 0%
		160 ⇄ 184	R: 100% G: 0–100% B: 0–100% A: 0% W: 0%
		184 ⇄ 209	R: 100–0% G: 100–0% B: 100% A: 0% W: 0%
210 ⇄ 255	R: 100% G: 100% B: 100% A: 100% W: 100%		
19	Kleurtemperaturen	000 ⇄ 010	Geen functie
		011 ⇄ 028	Wit 1
		029 ⇄ 046	Wit 2
		047 ⇄ 064	Wit 3
		065 ⇄ 082	Wit 4
		083 ⇄ 100	Wit 5
		101 ⇄ 118	Wit 6
		119 ⇄ 136	Wit 7
		137 ⇄ 154	Wit 8
		155 ⇄ 172	Wit 9
		173 ⇄ 190	Wit 10
		191 ⇄ 208	Wit 11
		209 ⇄ 226	Wit 12
		227 ⇄ 244	Wit 13
245 ⇄ 255	Wit 14		
20	Stroboscoop	000 ⇄ 009	Geen functie
		010 ⇄ 099	Stroboscoop, langzaam naar snel
		100 ⇄ 109	Geen functie
		110 ⇄ 179	Impulse stroboscoop, langzaam naar snel
		180 ⇄ 189	Geen functie
		190 ⇄ 255	Willekeurige stroboscoop, langzaam naar snel
21	Alles stroboscoop	000 ⇄ 009	Geen functie
		010 ⇄ 099	Stroboscoop, langzaam naar snel
		100 ⇄ 109	Geen functie
		110 ⇄ 179	Impulse stroboscoop, langzaam naar snel
		180 ⇄ 189	Geen functie
		190 ⇄ 255	Willekeurige stroboscoop, langzaam naar snel

3 RGB (9 kanalen)

Kanaal	Functie	Waarde	Percentage/Instelling
1	Rood 1	000 ⇄ 255	0–100%
2	Groen 1	000 ⇄ 255	0–100%
3	Blauw 1	000 ⇄ 255	0–100%
4	Rood 2	000 ⇄ 255	0–100%
5	Groen 2	000 ⇄ 255	0–100%
6	Blauw 2	000 ⇄ 255	0–100%
7	Rood 3	000 ⇄ 255	0–100%
8	Groen 3	000 ⇄ 255	0–100%
9	Blauw 3	000 ⇄ 255	0–100%

1-Cel DMX-waarden
1 HSIC (8 kanalen)

Kanaal	Functie	Waarde	Percentage/Instelling
1	Dimmer	000 ⇔ 255	0–100%
2	Tint	000 ⇔ 255	0–100%
3	Fijne tint	000 ⇔ 255	0–100%
4	Verzadiging	000 ⇔ 255	0–100%
5	Stroboscoop	000 ⇔ 009	Geen functie
		010 ⇔ 099	Stroboscoop, langzaam naar snel
		100 ⇔ 109	Geen functie
		110 ⇔ 179	Impulse stroboscoop, langzaam naar snel
		180 ⇔ 189	Geen functie
		190 ⇔ 255	Willekeurige stroboscoop, langzaam naar snel
6	Kleur macro's	000 ⇔ 010	Geen functie
		011 ⇔ 034	R: 100% G: 0–100% B: 0% A: 0% W: 0%
		035 ⇔ 059	R: 100–0% G: 100% B: 0% A: 0% W: 0%
		060 ⇔ 084	R: 0% G: 100% B: 0–100% A: 0% W: 0%
		084 ⇔ 109	R: 0% G: 100–0% B: 100% A: 0% W: 0%
		110 ⇔ 134	R: 0–100% G: 0% B: 100% A: 0% W: 0%
		134 ⇔ 159	R: 100% G: 0% B: 100–0% A: 0% W: 0%
		160 ⇔ 184	R: 100% G: 0–100% B: 0–100% A: 0% W: 0%
		184 ⇔ 209	R: 100–0% G: 100–0% B: 100% A: 0% W: 0%
210 ⇔ 255	R: 100% G: 100% B: 100% A: 100% W: 100%		
7	Kleurtemperaturen	000 ⇔ 010	Geen functie
		011 ⇔ 028	Wit 1
		029 ⇔ 046	Wit 2
		047 ⇔ 064	Wit 3
		065 ⇔ 082	Wit 4
		083 ⇔ 100	Wit 5
		101 ⇔ 118	Wit 6
		119 ⇔ 136	Wit 7
		137 ⇔ 154	Wit 8
		155 ⇔ 172	Wit 9
		173 ⇔ 190	Wit 10
		191 ⇔ 208	Wit 11
		209 ⇔ 226	Wit 12
		227 ⇔ 244	Wit 13
245 ⇔ 255	Wit 14		
8	Dimmersnelheid	000 ⇔ 009	Voorinstelling van de dimmersnelheid vanaf het displaymenu
		010 ⇔ 029	Dimmer snelheidsmodus uit
		030 ⇔ 069	Dimmer snelheidsmodus 1 (snel)
		070 ⇔ 129	Dimmer snelheidsmodus 2
		130 ⇔ 189	Dimmer snelheidsmodus 3
		190 ⇔ 255	Dimmer snelheidsmodus 4 (langzaam)

1 RGBAW FUL (16 kanalen)

Kanaal	Functie	Waarde	Percentage/Instelling
1	Dimmer	000 ⇔ 255	0–100%
2	Fijne Dimmer	000 ⇔ 255	0–100%
3	Rood	000 ⇔ 255	0–100%
4	Fijn rood	000 ⇔ 255	0–100%
5	Groen	000 ⇔ 255	0–100%
6	Fijn groen	000 ⇔ 255	0–100%
7	Blauw	000 ⇔ 255	0–100%
8	Fijn blauw	000 ⇔ 255	0–100%
9	Amber	000 ⇔ 255	0–100%

Kanaal	Functie	Waarde	Percentage/Instelling
10	Fijn amber	000 ⇄ 255	0–100%
11	Wit	000 ⇄ 255	0–100%
12	Fijn wit	000 ⇄ 255	0–100%
13	Kleur macro's	000 ⇄ 010	Geen functie
		011 ⇄ 034	R: 100% G: 0–100% B: 0% A: 0% W: 0%
		035 ⇄ 059	R: 100–0% G: 100% B: 0% A: 0% W: 0%
		060 ⇄ 084	R: 0% G: 100% B: 0–100% A: 0% W: 0%
		084 ⇄ 109	R: 0% G: 100–0% B: 100% A: 0% W: 0%
		110 ⇄ 134	R: 0–100% G: 0% B: 100% A: 0% W: 0%
		134 ⇄ 159	R: 100% G: 0% B: 100–0% A: 0% W: 0%
		160 ⇄ 184	R: 100% G: 0–100% B: 0–100% A: 0% W: 0%
		184 ⇄ 209	R: 100–0% G: 100–0% B: 100% A: 0% W: 0%
210 ⇄ 255	R: 100% G: 100% B: 100% A: 100% W: 100%		
14	Kleurtemperaturen	000 ⇄ 010	Geen functie
		011 ⇄ 028	Wit 1
		029 ⇄ 046	Wit 2
		047 ⇄ 064	Wit 3
		065 ⇄ 082	Wit 4
		083 ⇄ 100	Wit 5
		101 ⇄ 118	Wit 6
		119 ⇄ 136	Wit 7
		137 ⇄ 154	Wit 8
		155 ⇄ 172	Wit 9
		173 ⇄ 190	Wit 10
		191 ⇄ 208	Wit 11
		209 ⇄ 226	Wit 12
		227 ⇄ 244	Wit 13
245 ⇄ 255	Wit 14		
15	Stroboscoop	000 ⇄ 009	Geen functie
		010 ⇄ 099	Stroboscoop, langzaam naar snel
		100 ⇄ 109	Geen functie
		110 ⇄ 179	Impulse stroboscoop, langzaam naar snel
		180 ⇄ 189	Geen functie
		190 ⇄ 255	Willekeurige stroboscoop, langzaam naar snel
16	Dimmersnelheid	000 ⇄ 009	Voorinstelling van de dimmersnelheid vanaf het displaymenu
		010 ⇄ 029	Dimmer snelheidsmodus uit
		030 ⇄ 069	Dimmer snelheidsmodus 1 (snel)
		070 ⇄ 129	Dimmer snelheidsmodus 2
		130 ⇄ 189	Dimmer snelheidsmodus 3
		190 ⇄ 255	Dimmer snelheidsmodus 4 (langzaam)

1 RGBAW FIN (10 kanalen)

Kanaal	Functie	Waarde	Percentage/Instelling
1	Rood	000 ⇄ 255	0–100%
2	Fijn rood	000 ⇄ 255	0–100%
3	Groen	000 ⇄ 255	0–100%
4	Fijn groen	000 ⇄ 255	0–100%
5	Blauw	000 ⇄ 255	0–100%
6	Fijn blauw	000 ⇄ 255	0–100%
7	Amber	000 ⇄ 255	0–100%
8	Fijn amber	000 ⇄ 255	0–100%
9	Wit	000 ⇄ 255	0–100%
10	Fijn wit	000 ⇄ 255	0–100%

1 RGBAW EXT (10 kanalen)

Kanaal	Functie	Waarde	Percentage/Instelling
1	Dimmer	000 ⇔ 255	0–100%
2	Fijne Dimmer	000 ⇔ 255	0–100%
3	Rood	000 ⇔ 255	0–100%
4	Groen	000 ⇔ 255	0–100%
5	Blauw	000 ⇔ 255	0–100%
6	Amber	000 ⇔ 255	0–100%
7	Wit	000 ⇔ 255	0–100%
8	Kleur macro's	000 ⇔ 010	Geen functie
		011 ⇔ 034	R: 100% G: 0–100% B: 0% A: 0% W: 0%
		035 ⇔ 059	R: 100–0% G: 100% B: 0% A: 0% W: 0%
		060 ⇔ 084	R: 0% G: 100% B: 0–100% A: 0% W: 0%
		084 ⇔ 109	R: 0% G: 100–0% B: 100% A: 0% W: 0%
		110 ⇔ 134	R: 0–100% G: 0% B: 100% A: 0% W: 0%
		134 ⇔ 159	R: 100% G: 0% B: 100–0% A: 0% W: 0%
		160 ⇔ 184	R: 100% G: 0–100% B: 0–100% A: 0% W: 0%
		184 ⇔ 209	R: 100–0% G: 100–0% B: 100% A: 0% W: 0%
210 ⇔ 255	R: 100% G: 100% B: 100% A: 100% W: 100%		
9	Kleurtemperaturen	000 ⇔ 010	Geen functie
		011 ⇔ 028	Wit 1
		029 ⇔ 046	Wit 2
		047 ⇔ 064	Wit 3
		065 ⇔ 082	Wit 4
		083 ⇔ 100	Wit 5
		101 ⇔ 118	Wit 6
		119 ⇔ 136	Wit 7
		137 ⇔ 154	Wit 8
		155 ⇔ 172	Wit 9
		173 ⇔ 190	Wit 10
		191 ⇔ 208	Wit 11
		209 ⇔ 226	Wit 12
		227 ⇔ 244	Wit 13
		245 ⇔ 255	Wit 14
10	Stroboscoop	000 ⇔ 009	Geen functie
		010 ⇔ 099	Stroboscoop, langzaam naar snel
		100 ⇔ 109	Geen functie
		110 ⇔ 179	Impulse stroboscoop, langzaam naar snel
		180 ⇔ 189	Geen functie
		190 ⇔ 255	Willekeurige stroboscoop, langzaam naar snel

1 RGBAW (5 kanalen)

Kanaal	Functie	Waarde	Percentage/Instelling
1	Rood	000 ⇔ 255	0–100%
2	Groen	000 ⇔ 255	0–100%
3	Blauw	000 ⇔ 255	0–100%
4	Amber	000 ⇔ 255	0–100%
5	Wit	000 ⇔ 255	0–100%

1 RGBA EXT (9 kanalen)

Kanaal	Functie	Waarde	Percentage/Instelling
1	Dimmer	000 ⇔ 255	0–100%
2	Fijne Dimmer	000 ⇔ 255	0–100%
3	Rood	000 ⇔ 255	0–100%
4	Groen	000 ⇔ 255	0–100%

NL

Kanaal	Functie	Waarde	Percentage/Instelling
5	Blauw	000 ⇄ 255	0–100%
6	Amber	000 ⇄ 255	0–100%
7	Kleur macro's	000 ⇄ 010	Geen functie
		011 ⇄ 034	R: 100% G: 0–100% B: 0% A: 0% W: 0%
		035 ⇄ 059	R: 100–0% G: 100% B: 0% A: 0% W: 0%
		060 ⇄ 084	R: 0% G: 100% B: 0–100% A: 0% W: 0%
		084 ⇄ 109	R: 0% G: 100–0% B: 100% A: 0% W: 0%
		110 ⇄ 134	R: 0–100% G: 0% B: 100% A: 0% W: 0%
		134 ⇄ 159	R: 100% G: 0% B: 100–0% A: 0% W: 0%
		160 ⇄ 184	R: 100% G: 0–100% B: 0–100% A: 0% W: 0%
		184 ⇄ 209	R: 100–0% G: 100–0% B: 100% A: 0% W: 0%
		210 ⇄ 255	R: 100% G: 100% B: 100% A: 100% W: 100%
8	Kleurtemperaturen	000 ⇄ 010	Geen functie
		011 ⇄ 028	Wit 1
		029 ⇄ 046	Wit 2
		047 ⇄ 064	Wit 3
		065 ⇄ 082	Wit 4
		083 ⇄ 100	Wit 5
		101 ⇄ 118	Wit 6
		119 ⇄ 136	Wit 7
		137 ⇄ 154	Wit 8
		155 ⇄ 172	Wit 9
		173 ⇄ 190	Wit 10
		191 ⇄ 208	Wit 11
		209 ⇄ 226	Wit 12
		227 ⇄ 244	Wit 13
		245 ⇄ 255	Wit 14
9	Stroboscoop	000 ⇄ 009	Geen functie
		010 ⇄ 099	Stroboscoop, langzaam naar snel
		100 ⇄ 109	Geen functie
		110 ⇄ 179	Impulse stroboscoop, langzaam naar snel
		180 ⇄ 189	Geen functie
		190 ⇄ 255	Willekeurige stroboscoop, langzaam naar snel

1 RGBA (4 kanalen)

Kanaal	Functie	Waarde	Percentage/Instelling
1	Rood	000 ⇄ 255	0–100%
2	Groen	000 ⇄ 255	0–100%
3	Blauw	000 ⇄ 255	0–100%
4	Amber	000 ⇄ 255	0–100%

1 RGB EXT (8 kanalen)

Kanaal	Functie	Waarde	Percentage/Instelling
1	Dimmer	000 ⇄ 255	0–100%
2	Fijne Dimmer	000 ⇄ 255	0–100%
3	Rood	000 ⇄ 255	0–100%
4	Groen	000 ⇄ 255	0–100%
5	Blauw	000 ⇄ 255	0–100%

Kanaal	Functie	Waarde	Percentage/Instelling
6	Kleur macro's	000 ⇔ 010	Geen functie
		011 ⇔ 034	R: 100% G: 0-100% B: 0% A: 0% W: 0%
		035 ⇔ 059	R: 100-0% G: 100% B: 0% A: 0% W: 0%
		060 ⇔ 084	R: 0% G: 100% B: 0-100% A: 0% W: 0%
		084 ⇔ 109	R: 0% G: 100-0% B: 100% A: 0% W: 0%
		110 ⇔ 134	R: 0-100% G: 0% B: 100% A: 0% W: 0%
		134 ⇔ 159	R: 100% G: 0% B: 100-0% A: 0% W: 0%
		160 ⇔ 184	R: 100% G: 0-100% B: 0-100% A: 0% W: 0%
		184 ⇔ 209	R: 100-0% G: 100-0% B: 100% A: 0% W: 0%
		210 ⇔ 255	R: 100% G: 100% B: 100% A: 100% W: 100%
7	Kleurtemperaturen	000 ⇔ 010	Geen functie
		011 ⇔ 028	Wit 1
		029 ⇔ 046	Wit 2
		047 ⇔ 064	Wit 3
		065 ⇔ 082	Wit 4
		083 ⇔ 100	Wit 5
		101 ⇔ 118	Wit 6
		119 ⇔ 136	Wit 7
		137 ⇔ 154	Wit 8
		155 ⇔ 172	Wit 9
		173 ⇔ 190	Wit 10
		191 ⇔ 208	Wit 11
		209 ⇔ 226	Wit 12
		227 ⇔ 244	Wit 13
245 ⇔ 255	Wit 14		
8	Stroboscoop	000 ⇔ 009	Geen functie
		010 ⇔ 099	Stroboscoop, langzaam naar snel
		100 ⇔ 109	Geen functie
		110 ⇔ 179	Impulse stroboscoop, langzaam naar snel
		180 ⇔ 189	Geen functie
		190 ⇔ 255	Willekeurige stroboscoop, langzaam naar snel

1 RGB (3 kanalen)

Kanaal	Functie	Waarde	Percentage/Instelling
1	Rood	000 ⇔ 255	0-100%
2	Groen	000 ⇔ 255	0-100%
3	Blauw	000 ⇔ 255	0-100%

Contact Us

General Information	Technical Support
Chauvet World Headquarters	
Address: 5200 NW 108th Ave. Sunrise, FL 33351 Voice: (954) 577-4455 Fax: (954) 929-5560 Toll Free: (800) 762-1084	Voice: (844) 393-7575 Fax: (954) 756-8015 Email: chauvetcs@chauvetlighting.com Website: www.chauvetprofessional.com
Chauvet Europe Ltd.	
Address: Unit 1C Brookhill Road Industrial Estate Pinxton, Nottingham, UK NG16 6NT Voice: +44 (0) 1773 511115 Fax: +44 (0) 1773 511110	Email: UKtech@chauvetlighting.eu Website: www.chauvetprofessional.eu
Chauvet Europe BVBA	
Address: Stokstraat 18 9770 Kruishoutem Belgium Voice: +32 9 388 93 97	Email: BNLtech@chauvetlighting.eu Website: www.chauvetprofessional.eu
Chauvet France	
Address: 3, Rue Ampère 91380 Chilly-Mazarin France Voice: +33 1 78 85 33 59	Email: FRtech@chauvetlighting.fr Website: www.chauvetprofessional.eu
Chauvet Germany	
Address: Bruno-Bürgel-Str. 11 28759 Bremen Germany Voice: +49 421 62 60 20	Email: DEtech@chauvetlighting.de Website: www.chauvetprofessional.eu
Chauvet Mexico	
Address: Av. de las Partidas 34 - 3B (Entrance by Calle 2) Zona Industrial Lerma Lerma, Edo. de México, CP 52000 Voice: +52 (728) 690-2010	Email: servicio@chauvet.com.mx Website: www.chauvetprofessional.mx

Visit the applicable website above to verify our contact information and instructions to request support. Outside the U.S., United Kingdom, Ireland, Mexico, France, Germany, or Benelux, contact the dealer of record.



RoHS

