

Zoom Lens

This zoom lens is designed for use with Panasonic's applicable projectors. The lens makes it possible to vary the projection distance by changing the focal distance.

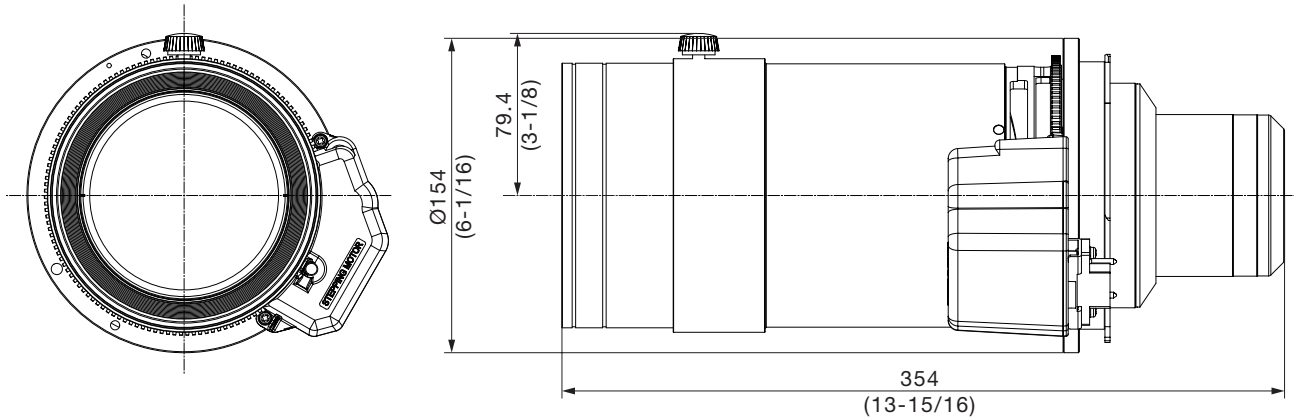
NOTE: Please use the lens only on the specified Panasonic projector.

Specifications

F value:	2.5
Focal distance (f):	26.6–36.4 mm
Throw ratio:	1.35–1.84:1 for PT-RQ32K (16:10 aspect ratio) 1.26–1.72:1 for PT-RZ31K/RZ21K (16:10 aspect ratio) 1.37–1.86:1 for PT-RS30K/RS20K (4:3 aspect ratio)
Auto Lens Identification Function	Compatible models : PT-RQ32K/PT-RZ31K/PT-RS30K/PT-RZ21K/PT-RS20K
Dimensions (W × H × D):	154 × 154 × 354 mm (6-1/16 × 6-1/16 × 13-15/16 inches)
Weight:	Approximately 6.2 kg* (13.7 lbs*)
Applicable projector	[Group A] PT-RZ21K/RS20K [Group B] PT-RZ31K/RS30K PT-RQ32K

*Average value. May differ depending on the actual unit.
The throw ratio is an approximate value calculated by dividing the screen width by the projection distance.

Dimensions

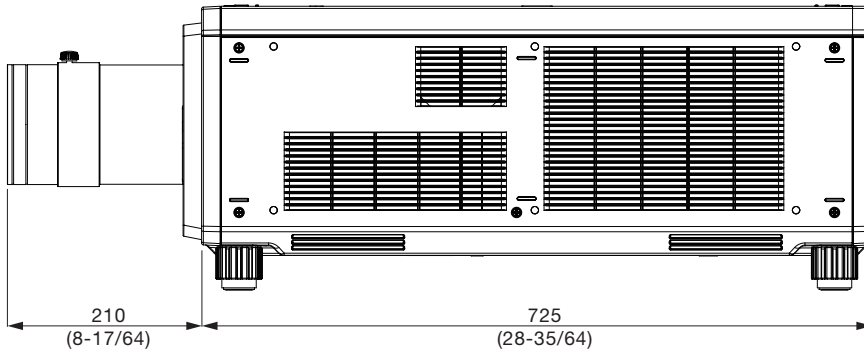


unit : mm (inch)
NOTE: This illustration is not drawn to scale.

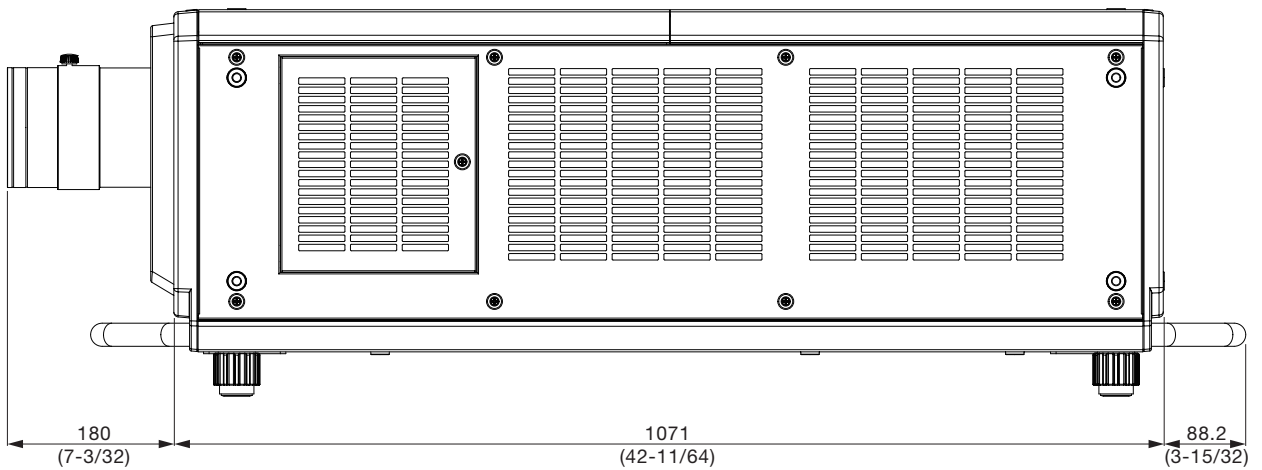
NOTE: Please read the projector's instruction manual for throw distances.
Weights and dimensions shown are approximate. Specifications subject to change without notice.

Zoom Lens

[Group A]



[Group B]



unit : mm (inch)
 NOTE: This illustration is not drawn to scale.

NOTE: Please read the projector's instruction manual for throw distances.
 Weights and dimensions shown are approximate. Specifications subject to change without notice.