
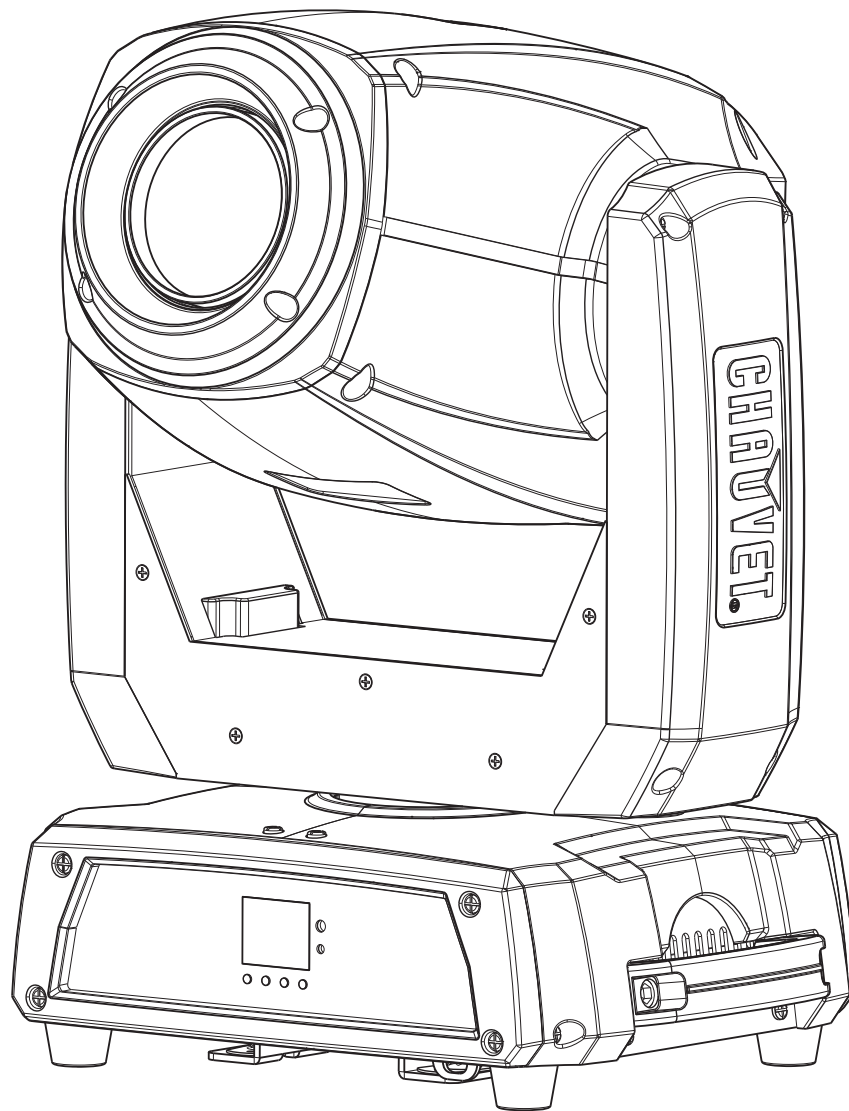


INTIMIDATOR

Spot 475Z

Quick Reference Guide



CHAUVET

About This Guide

The Intimidator Spot 475Z Quick Reference Guide (QRG) has basic product information such as mounting, menu options, and DMX values. Download the User Manual from www.chauvetdj.com for more details.

Disclaimer

The information and specifications contained in this QRG are subject to change without notice.

LIMITED WARRANTY

FOR WARRANTY REGISTRATION AND COMPLETE TERMS AND CONDITIONS PLEASE VISIT OUR WEBSITE.

For Customers in the United States and Mexico: www.chauvetlighting.com/warranty-registration.

For Customers in the United Kingdom, Republic of Ireland, Belgium, the Netherlands, Luxembourg, France, and Germany: www.chauvetlighting.eu/warranty-registration.

Chauvet warrants that this product shall be free from defects in material and workmanship under normal use, for the period specified in, and subject to the exclusions and limitations set forth in the full limited warranty on our website. This warranty extends only to the original purchaser of the product and is not transferable. To exercise rights under this warranty, you must provide proof of purchase in the form of an original sales receipt from an authorized dealer that shows the product name and date of purchase. THERE ARE NO OTHER EXPRESS OR IMPLIED WARRANTIES. This warranty gives you specific legal rights. You may also have other rights that vary from state to state and country to country. This warranty is valid only in the United States, United Kingdom, Republic of Ireland, Belgium, the Netherlands, Luxembourg, France, Germany and Mexico. For warranty terms in other countries, please consult your local distributor.

Safety Notes

These Safety Notes include important information about installation, use, and maintenance.



- ONLY connect this product to a grounded and protected circuit.
- DISCONNECT from power before cleaning or replacing the fuse.
- DO NOT look at the light source when the product is on.
- Make sure the power cord is not crimped or damaged.
- Never disconnect this product from power by pulling on the cord.
- When mounting this product overhead, ALWAYS use a safety cable.
- DO NOT allow flammable materials close to the product when it is operating.
- DO NOT touch the product's housing when it is on because it will be hot.
- The voltage of the outlet to which you are connecting this product must be within the range stated on the decal or rear panel of the product.
- This product is for indoor use only! (IP20) To prevent risk of fire or shock, do not expose this product to rain or moisture.
- Always mount this product in a location with adequate ventilation, at least 20 in (50 cm) from adjacent surfaces.
- Be sure that no ventilation slots on the unit's housing are blocked.
- Never connect this product to a dimmer or rheostat.
- Replace the fuse with the same type and rating.
- Never carry the product by the power cord. Use only the hanging bracket or handle to carry this product.
- The maximum ambient temperature is 104 °F (40 °C). Do not operate this product at higher temperatures.
- In the event of a serious operating problem, stop using immediately.
- DO NOT open this product. It contains no user-serviceable parts.
- To eliminate unnecessary wear and improve its lifespan, during periods of non-use completely disconnect the product from power via breaker or by unplugging it.



Contact

Outside the U.S., United Kingdom, Ireland, Benelux, France, Germany, or Mexico, contact your distributor to request support or return a product. Refer to [Contact Us](#) at the end of this QRG for contact information.

What is Included

- Intimidator Spot 475Z
- Power Cord
- Hanging Bracket
- Quick Reference Guide

To Begin

Unpack your Intimidator Spot 475Z and make sure you have received all parts in good condition. If the box or contents appear damaged, notify the carrier immediately, not Chauvet.

AC Power

This product has an auto-ranging power supply that works with an input voltage range of 100 to 240 VAC, 50/60 Hz.



To eliminate wear and improve its lifespan, during periods of non-use completely disconnect the product from power via breaker or by unplugging it.

Power Linking

For the maximum number of Intimidator Spot 475Z products that you can power link at each voltage, see the User Manual or the sticker on the product.

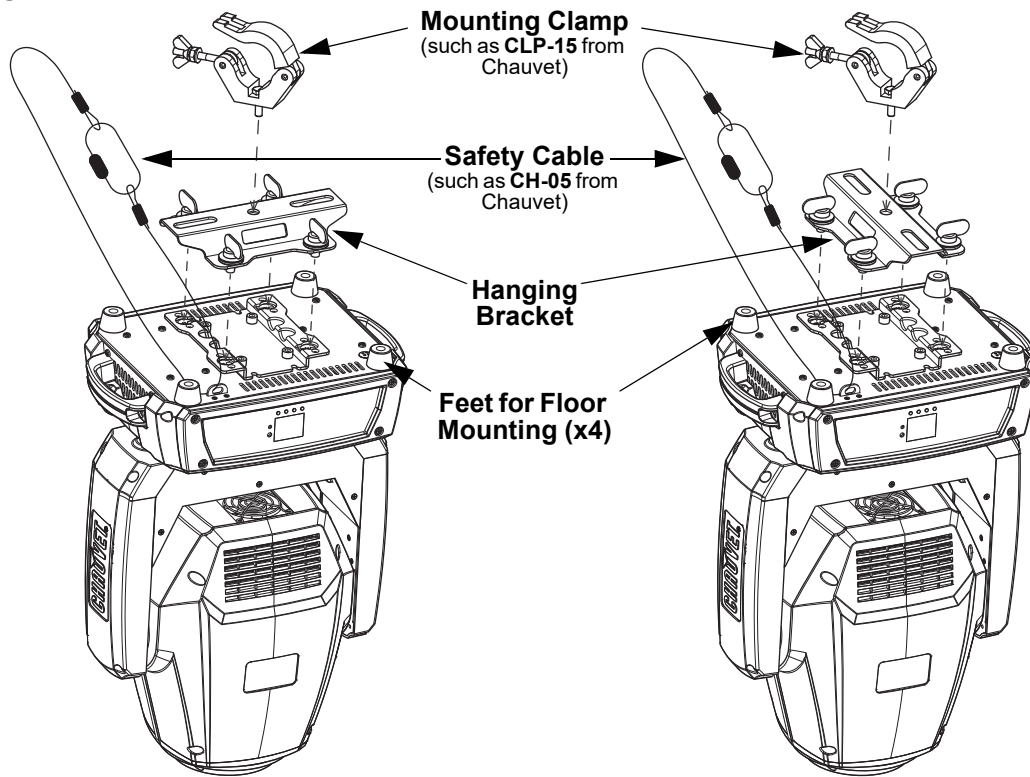
Fuse Replacement

1. Disconnect the product from power.
2. Using a flat-head screwdriver, unscrew the fuse holder and pull straight out.
3. Remove the blown fuse from the holder and replace with a fuse of the exact same type and rating.
4. Re-insert the fuse holder and reconnect power.

Mounting

Before mounting this product, read the [Safety Notes](#).

Mounting Diagram



Control Panel Description

| Button | Function |
|---------|--|
| <MENU> | Exits from the current menu or function |
| <UP> | Navigates upwards through the menu list and increases the numeric value when in a function |
| <DOWN> | Navigates downwards through the menu list and decreases the numeric value when in a function |
| <ENTER> | Enables the currently displayed menu or sets the currently selected value into the selected function |

Menu Map

| Main Level | Programming Levels | | Description | |
|--------------|------------------------|-------------------------------|--|------------------------------|
| Address | 001–512 | | Sets the DMX starting address | |
| Run Mode | DMX | 16CH | Selects the DMX mode | |
| | | 10CH | | |
| | Slave | Slave1–4 | Selects Slave mode 1, 2, 3, or 4 | |
| | Auto | | Selects Auto mode | |
| | Sound | | Selects Sound-Active mode | |
| | IR | | Selects infrared control | |
| | Manual | 000–255 | Pan | Manual pan control |
| | | | Tilt | Manual tilt control |
| | | | Color | Manual color control |
| | | | Gobo | Manual rotating gobo control |
| | | | Gobo Rotate | Manual gobo rotation control |
| | | | Gobo2 | Manual static gobo control |
| | | | Prism | Manual prism control |
| | | | Focus | Manual focus control |
| | | | Zoom | Manual zoom control |
| Dimmer | | | Manual dimmer control | |
| Shutter | Manual shutter control | | | |
| Setup | Pan Reverse | OFF | Normal pan operation | |
| | | ON | Reverse pan operation | |
| | Tilt Reverse | OFF | Normal tilt operation | |
| | | ON | Reverse tilt operation | |
| | Screen Reverse | OFF | Normal display | |
| | | ON | Reverse display | |
| | Pan Angle | 540 | Selects the 540° pan angle range | |
| | | 360 | Selects the 360° pan angle range | |
| | | 180 | Selects the 180° pan angle range | |
| | Tilt Angle | 270 | Selects the 270° tilt angle range | |
| | | 180 | Selects the 180° tilt angle range | |
| | | 90 | Selects the 90° tilt angle range | |
| | Totem Mode | OFF | Does not restrict the pan and tilt motion | |
| | | UP | Restricts the pan and tilt motion for overhead mounting | |
| | | DOWN | Restricts the pan and tilt motion for surface/floor mounting | |
| | Sensitivity | 001–100 | Sets the sound sensitivity | |
| | Indicator | ON | Enables/disables LED indicator | |
| | | OFF | | |
| Flash if DMX | ON | Enables/disables flash if DMX | | |
| | OFF | | | |
| Reset | | Resets the product | | |
| Factory Set | | Loads factory defaults | | |
| Sys Info | Ver: | V_ | Displays the firmware version | |
| | Running Mode | ----- | Displays the current running mode | |
| | DMX Address | --- | Displays the current DMX address | |
| | Temperature | --- | Displays the current product temperature | |

DMX Linking

The Intimidator Spot 475Z can work with a DMX controller. Instructions for connecting and configuring this product for DMX operation are in the User Manual. If you are not familiar with DMX, download the DMX Primer from www.chauvetdj.com.

Starting Address

To ensure full access to all channels available in each DMX mode, the highest recommended DMX address is **497**.

Master/Slave Connection

The Intimidator Spot 475Z uses the DMX data connection for its Master/Slave mode. Information about configuring the Intimidator Spot 475Z for Master/Slave operation is in the User Manual, which is available from the Chauvet website.

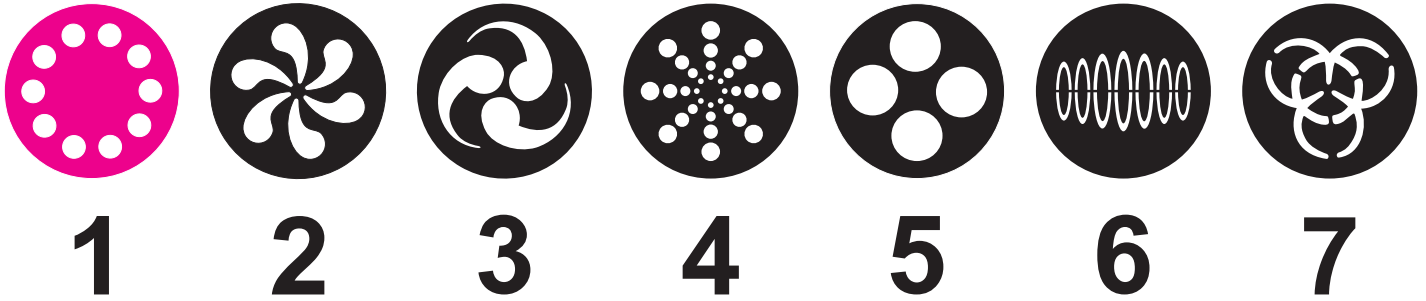
IRC-6 (Infrared Remote Control)

The Intimidator Spot 475Z can be operated with the CHAUVET IRC-6. For more information about the IRC-6, download instructions for the IRC-6 or the Intimidator Spot 475Z User Manual from www.chauvetdj.com.

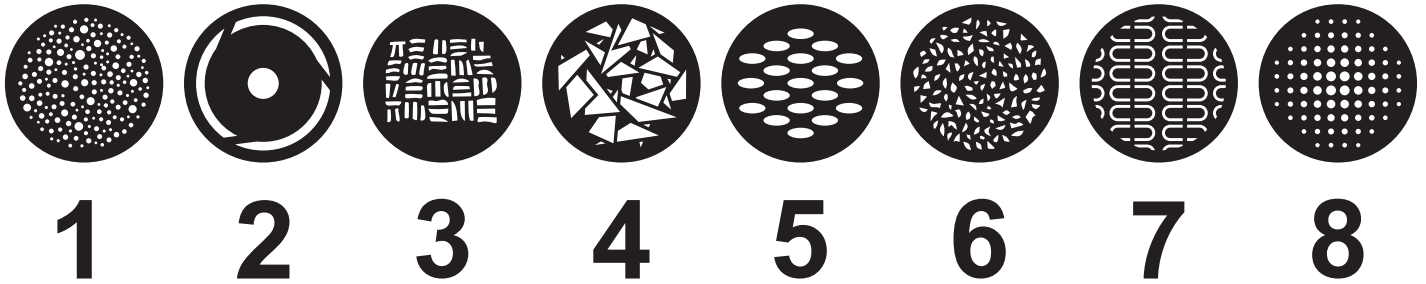
DMX Values

Gobos

Gobo - Rotating Gobo Wheel



Gobo2 - Static Gobo Wheel



16CH

| Channel | Function | Value | Percent/Setting |
|-----------|---|-----------|-------------------------------------|
| 1 | Pan | 000 ⇔ 255 | 0–540° |
| 2 | Fine Pan | 000 ⇔ 255 | Fine control of panning |
| 3 | Tilt | 000 ⇔ 255 | 0–270° |
| 4 | Fine Tilt | 000 ⇔ 255 | Fine control of tilting |
| 5 | Pan/Tilt Speed | 000 ⇔ 255 | Pan/Tilt speed, fast to slow |
| 6 | Color Wheel | 000 ⇔ 007 | White |
| | | 008 ⇔ 015 | Orange |
| | | 016 ⇔ 023 | Lime Green |
| | | 024 ⇔ 031 | Cyan |
| | | 032 ⇔ 039 | Red |
| | | 040 ⇔ 047 | Green |
| | | 048 ⇔ 055 | Magenta |
| | | 056 ⇔ 063 | Yellow |
| | | 064 | White |
| | | 065 ⇔ 189 | Color indexing |
| | | 190 ⇔ 221 | Color cycling rainbow, fast to slow |
| | | 222 ⇔ 223 | Stop |
| 224 ⇔ 255 | Reverse color cycling rainbow, slow to fast | | |
| 7 | Rotating Gobo Wheel (Gobo) (see Gobos) | 000 ⇔ 007 | Open |
| | | 008 ⇔ 015 | Gobo 1 |
| | | 016 ⇔ 023 | Gobo 2 |
| | | 024 ⇔ 031 | Gobo 3 |
| | | 032 ⇔ 039 | Gobo 4 |
| | | 040 ⇔ 047 | Gobo 5 |
| | | 048 ⇔ 055 | Gobo 6 |
| | | 056 ⇔ 063 | Gobo 7 |
| | | 064 ⇔ 071 | Gobo 7 shake, slow to fast |
| | | 072 ⇔ 079 | Gobo 6 shake, slow to fast |
| | | 080 ⇔ 087 | Gobo 5 shake, slow to fast |
| | | 088 ⇔ 095 | Gobo 4 shake, slow to fast |
| | | 096 ⇔ 103 | Gobo 3 shake, slow to fast |
| | | 104 ⇔ 111 | Gobo 2 shake, slow to fast |
| | | 112 ⇔ 119 | Gobo 1 shake, slow to fast |
| | | 120 ⇔ 127 | Open |
| | | 128 ⇔ 191 | Cycle effect, slow to fast |
| 192 ⇔ 255 | Reverse cycle effect, slow to fast | | |
| 8 | Gobo Rotation | 000 ⇔ 063 | Gobo indexing |
| | | 064 ⇔ 147 | Gobo rotation, slow to fast |
| | | 148 ⇔ 231 | Reverse gobo rotation, slow to fast |
| | | 232 ⇔ 255 | Gobo bounce, short to long |

| Channel | Function | Value | Percent/Setting |
|------------------|---|------------------|--------------------------------|
| 9 | Static Gobo Wheel (Gobo2) (see Gobos) | 000 ⇔ 006 | Open |
| | | 007 ⇔ 013 | Gobo 1 |
| | | 014 ⇔ 020 | Gobo 2 |
| | | 021 ⇔ 027 | Gobo 3 |
| | | 028 ⇔ 034 | Gobo 4 |
| | | 035 ⇔ 041 | Gobo 5 |
| | | 042 ⇔ 048 | Gobo 6 |
| | | 049 ⇔ 055 | Gobo 7 |
| | | 056 ⇔ 063 | Gobo 8 |
| | | 064 ⇔ 071 | Gobo 8 shake, slow to fast |
| | | 072 ⇔ 078 | Gobo 7 shake, slow to fast |
| | | 079 ⇔ 085 | Gobo 6 shake, slow to fast |
| | | 086 ⇔ 092 | Gobo 5 shake, slow to fast |
| | | 093 ⇔ 099 | Gobo 4 shake, slow to fast |
| | | 100 ⇔ 106 | Gobo 3 shake, slow to fast |
| | | 107 ⇔ 113 | Gobo 2 shake, slow to fast |
| | | 114 ⇔ 120 | Gobo 1 shake, slow to fast |
| | | 121 ⇔ 127 | Open |
| 128 ⇔ 191 | Reverse cycle effect, slow to fast | | |
| 192 ⇔ 255 | Cycle effect, slow to fast | | |
| 10 | Prism | 000 ⇔ 003 | No function |
| | | 004 ⇔ 006 | Prism 1 (round) |
| | | 007 ⇔ 065 | Rotation, slow to fast |
| | | 066 ⇔ 123 | Reverse rotation, slow to fast |
| | | 124 ⇔ 127 | Prism 1 (round) |
| | | 128 ⇔ 131 | No function |
| | | 132 ⇔ 134 | Prism 2 (linear) |
| | | 135 ⇔ 193 | Rotation, slow to fast |
| | | 194 ⇔ 251 | Reverse rotation, slow to fast |
| | | 252 ⇔ 255 | Prism 2 (linear) |
| 11 | Focus | 000 ⇔ 255 | 0–100% |
| 12 | Zoom | 000 ⇔ 255 | Wide to narrow |
| 13 | Dimmer | 000 ⇔ 255 | 0–100% |
| 14 | Shutter | 000 ⇔ 003 | Off |
| | | 004 ⇔ 007 | On |
| | | 008 ⇔ 076 | Strobe, slow to fast |
| | | 077 ⇔ 145 | Pulse strobe, slow to fast |
| | | 146 ⇔ 215 | Random strobe, slow to fast |
| | | 216 ⇔ 255 | On |

| Channel | Function | Value | Percent/Setting |
|-----------|-------------------------------|-----------|---|
| 15 | Control | 000 ⇔ 007 | No function |
| | | 008 ⇔ 015 | Blackout on pan/tilt move |
| | | 016 ⇔ 023 | Blackout on color wheel move |
| | | 024 ⇔ 031 | Blackout on gobo wheels move |
| | | 032 ⇔ 039 | Blackout on pan/tilt/color wheel move |
| | | 040 ⇔ 047 | Blackout on pan/tilt/gobo wheels move |
| | | 048 ⇔ 055 | Blackout on pan/tilt/color wheel/gobo wheels move |
| | | 056 ⇔ 095 | No function |
| | | 096 ⇔ 103 | Pan reset |
| | | 104 ⇔ 111 | Tilt reset |
| | | 112 ⇔ 119 | Color wheel reset |
| | | 120 ⇔ 127 | Gobo wheels reset |
| | | 128 ⇔ 135 | No function |
| | | 136 ⇔ 143 | Prism reset |
| | | 144 ⇔ 151 | No function |
| | | 152 ⇔ 159 | All reset |
| 160 ⇔ 255 | No function | | |
| 16 | Movement Macros | 000 ⇔ 007 | No function |
| | | 008 ⇔ 023 | Movement macro 1 |
| | | 024 ⇔ 039 | Movement macro 2 |
| | | 040 ⇔ 055 | Movement macro 3 |
| | | 056 ⇔ 071 | Movement macro 4 |
| | | 072 ⇔ 087 | Movement macro 5 |
| | | 088 ⇔ 103 | Movement macro 6 |
| | | 104 ⇔ 119 | Movement macro 7 |
| | | 120 ⇔ 135 | Movement macro 8 |
| | | 136 ⇔ 151 | Sound-active movement macro 1 |
| | | 152 ⇔ 167 | Sound-active movement macro 2 |
| | | 168 ⇔ 183 | Sound-active movement macro 3 |
| | | 184 ⇔ 199 | Sound-active movement macro 4 |
| | | 200 ⇔ 215 | Sound-active movement macro 5 |
| | | 216 ⇔ 231 | Sound-active movement macro 6 |
| | | 232 ⇔ 247 | Sound-active movement macro 7 |
| 248 ⇔ 255 | Sound-active movement macro 8 | | |

10CH

| Channel | Function | Value | Percent/Setting |
|-----------|------------------------------------|-----------|--|
| 1 | Pan | 000 ⇔ 255 | 0–540° |
| 2 | Tilt | 000 ⇔ 255 | 0–270° |
| 3 | Color Wheel | 000 ⇔ 007 | White |
| | | 008 ⇔ 015 | Orange |
| | | 016 ⇔ 023 | Lime Green |
| | | 024 ⇔ 031 | Cyan |
| | | 032 ⇔ 039 | Red |
| | | 040 ⇔ 047 | Green |
| | | 048 ⇔ 055 | Magenta |
| | | 056 ⇔ 063 | Yellow |
| | | 064 | White |
| | | 065 ⇔ 189 | Color indexing |
| | | 190 ⇔ 221 | Color cycling rainbow, fast to slow |
| | | 222 ⇔ 223 | Stop |
| | | 224 ⇔ 255 | Reverse color cycling rainbow, slow to fast |
| | | 4 | Rotating Gobo Wheel (Gobo) (see Gobos) |
| 008 ⇔ 015 | Gobo 1 | | |
| 016 ⇔ 023 | Gobo 2 | | |
| 024 ⇔ 031 | Gobo 3 | | |
| 032 ⇔ 039 | Gobo 4 | | |
| 040 ⇔ 047 | Gobo 5 | | |
| 048 ⇔ 055 | Gobo 6 | | |
| 056 ⇔ 063 | Gobo 7 | | |
| 064 ⇔ 071 | Gobo 7 shake, slow to fast | | |
| 072 ⇔ 079 | Gobo 6 shake, slow to fast | | |
| 080 ⇔ 087 | Gobo 5 shake, slow to fast | | |
| 088 ⇔ 095 | Gobo 4 shake, slow to fast | | |
| 096 ⇔ 103 | Gobo 3 shake, slow to fast | | |
| 104 ⇔ 111 | Gobo 2 shake, slow to fast | | |
| 112 ⇔ 119 | Gobo 1 shake, slow to fast | | |
| 120 ⇔ 127 | Open | | |
| 128 ⇔ 191 | Cycle effect, slow to fast | | |
| 192 ⇔ 255 | Reverse cycle effect, slow to fast | | |
| 5 | Gobo Rotation | | |
| | | 064 ⇔ 147 | Gobo rotation, slow to fast |
| | | 148 ⇔ 231 | Reverse gobo rotation, slow to fast |
| | | 232 ⇔ 255 | Gobo bounce |

| Channel | Function | Value | Percent/Setting |
|-----------|---|-----------|--------------------------------|
| 6 | Static Gobo Wheel (Gobo2) (see Gobos) | 000 ⇔ 006 | Open |
| | | 007 ⇔ 013 | Gobo 1 |
| | | 014 ⇔ 020 | Gobo 2 |
| | | 021 ⇔ 027 | Gobo 3 |
| | | 028 ⇔ 034 | Gobo 4 |
| | | 035 ⇔ 041 | Gobo 5 |
| | | 042 ⇔ 048 | Gobo 6 |
| | | 049 ⇔ 055 | Gobo 7 |
| | | 056 ⇔ 063 | Gobo 8 |
| | | 064 ⇔ 071 | Gobo 8 shake, slow to fast |
| | | 072 ⇔ 078 | Gobo 7 shake, slow to fast |
| | | 079 ⇔ 085 | Gobo 6 shake, slow to fast |
| | | 086 ⇔ 092 | Gobo 5 shake, slow to fast |
| | | 093 ⇔ 099 | Gobo 4 shake, slow to fast |
| | | 100 ⇔ 106 | Gobo 3 shake, slow to fast |
| | | 107 ⇔ 113 | Gobo 2 shake, slow to fast |
| | | 114 ⇔ 120 | Gobo 1 shake, slow to fast |
| | | 121 ⇔ 127 | Open |
| 128 ⇔ 191 | Reverse cycle effect, slow to fast | | |
| 192 ⇔ 255 | Cycle effect, slow to fast | | |
| 7 | Prism | 000 ⇔ 003 | No function |
| | | 004 ⇔ 006 | Prism 1 (round) |
| | | 007 ⇔ 065 | Rotation, slow to fast |
| | | 066 ⇔ 123 | Reverse rotation, slow to fast |
| | | 124 ⇔ 127 | Prism 1 (round) |
| | | 128 ⇔ 131 | No function |
| | | 132 ⇔ 134 | Prism 2 (linear) |
| | | 135 ⇔ 193 | Rotation, slow to fast |
| | | 194 ⇔ 251 | Reverse rotation, slow to fast |
| | | 252 ⇔ 255 | Prism 2 (linear) |
| 8 | Focus | 000 ⇔ 255 | 0–100% |
| 9 | Zoom | 000 ⇔ 255 | Narrow to wide |
| 10 | Shutter | 000 ⇔ 003 | Off |
| | | 004 ⇔ 007 | On |
| | | 008 ⇔ 076 | Strobe, slow to fast |
| | | 077 ⇔ 145 | Pulse strobe, slow to fast |
| | | 146 ⇔ 215 | Random strobe, slow to fast |
| | | 216 ⇔ 255 | On |

Acerca de esta guía

La Guía de referencia rápida (GRR) del Intimidator Spot 475Z contiene información básica sobre el producto, como montaje, opciones de menú y valores DMX. Descargue el manual de usuario de www.chauvetdj.com para una información más detallada.

Exención de responsabilidad

La información y especificaciones contenidas en esta GRR están sujetas a cambio sin previo aviso.

GARANTÍA LIMITADA

PARA VER EL REGISTRO DE GARANTÍA Y LOS TÉRMINOS Y CONDICIONES COMPLETOS, VISITE NUESTRO SITIO WEB.

Para clientes en los Estados Unidos y México: www.chauvetlighting.com/warranty-registration.

Para clientes en Reino Unido, República de Irlanda, Bélgica, Países Bajos, Luxemburgo, Francia y Alemania: www.chauvetlighting.eu/warranty-registration.

Chauvet garantiza que este producto estará libre de defectos de material y mano de obra en condiciones de uso normales, durante el periodo especificado, sujeto siempre a las exclusiones y limitaciones establecidas en la garantía limitada completa de nuestro sitio web. Esta garantía se concede únicamente al comprador original del producto y no es transferible. Para ejercer los derechos que otorga esta garantía, usted debe proporcionar una prueba de compra en forma de un recibo de compra original, expedido por un distribuidor autorizado, donde figure el nombre del producto y la fecha de compra. **NO EXISTEN OTRAS GARANTÍAS EXPRESAS NI IMPLÍCITAS.** Esta garantía le otorga derechos legales específicos. Es posible que a usted le asistan otros derechos, que variarán dependiendo del estado o del país. Esta garantía solamente es válida en los Estados Unidos, Reino Unido, República de Irlanda, Bélgica, Países Bajos, Luxemburgo, Francia, Alemania y México. Para conocer los términos de garantía en otros países, consulte a su distribuidor local.

Notas de seguridad

Estas notas de seguridad incluyen información importante sobre el montaje, uso y mantenimiento.



- Conecte este producto **SOLO** a un circuito con toma de tierra y protegido.
- Desconecte siempre de la alimentación antes de la limpieza o sustitución del fusible.
- **NO** mire a la fuente de luz cuando el producto esté encendido.
- Asegúrese de que el cable de alimentación no está retorcido ni estropeado.
- Nunca desconecte este producto de la alimentación tirando del cable.
- Cuando monte este producto en alto, use un cable de seguridad.
- **NO** permita la presencia de materiales inflamables cerca de la unidad cuando esté en funcionamiento.
- **NO** toque este producto cuando esté en funcionamiento, pues podría estar caliente.
- La tensión del enchufe al que conecte este producto ha de estar en el rango establecido en el grabado o en el panel posterior del producto.
- ¡Este producto es para uso en interiores solamente! (IP20) Para evitar riesgos de incendio o descarga, no exponga este producto a la lluvia o la humedad.
- Monte siempre este producto en una ubicación con ventilación adecuada, al menos a 20 in (50 cm) de superficies adyacentes.
- Asegúrese de que ninguna ranura de ventilación en la carcasa de la unidad queda bloqueada.
- Nunca conecte este producto a un atenuador o reostato.
- Sustituya el fusible con uno del mismo tipo y categoría.
- Use **SOLAMENTE** los soportes de colgar/montar o el listón para mover este producto.
- La temperatura ambiente máxima es de 104 °F (40 °C). No haga funcionar este producto a temperaturas más altas.
- En caso de un problema grave de funcionamiento, deje de usarlo inmediatamente.
- **NO** abra este producto. No contiene piezas reparables por el usuario.
- Para evitar un desgaste innecesario y alargar su vida útil, desconecte completamente el producto mediante el interruptor o desenchufándolo durante periodos en que no se use.



Contacto

Fuera de EE. UU., Reino Unido, Irlanda, Benelux, Francia, Alemania o México póngase en contacto con su distribuidor para solicitar asistencia o devolver un producto. Consulte [Contact Us](#) al final de este GRR para información de contacto.

Qué va incluido

- Intimidator Spot 475Z
- Soporte para colgar
- Cable de alimentación
- Guía de referencia rápida

Para empezar

Desembale su Intimidator Spot 475Z y asegúrese de que ha recibido todas las partes en buen estado. Si la caja o los componentes parecen dañados, notifíquese inmediatamente al transportista, no a Chauvet.

Corriente alterna

Este producto tiene una fuente de alimentación con detección automática que puede funcionar con un rango de tensión de entrada de 100–240 VCA, 50/60 Hz.



Para evitar un desgaste innecesario y alargar su vida útil, desconecte completamente el producto mediante el interruptor o desenchufándolo durante periodos en que no se use.

Alimentación en cadena

Para ver el máximo número de Intimidator Spot 475Z que se pueden alimentar en cadena a 120 V o a 240 V, consulte el Manual de usuario o la etiqueta del producto.

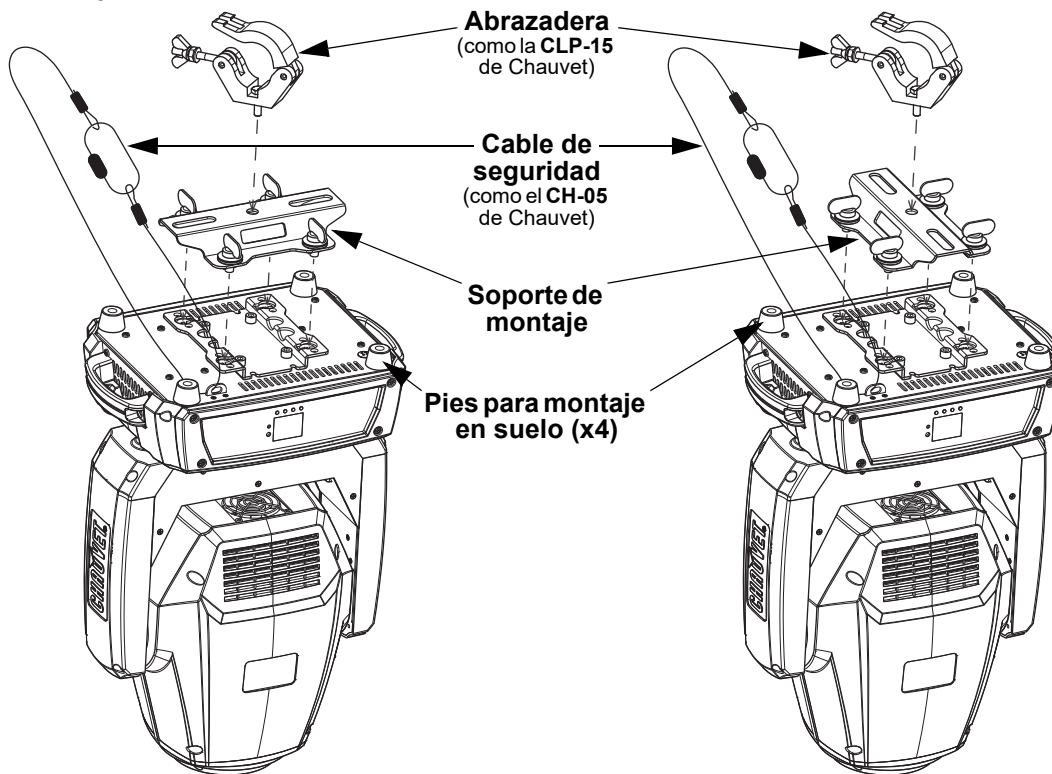
Sustitución del fusible

1. Desconecte el producto de la alimentación.
2. Con ayuda de un destornillador de cabeza plana, desatornille el portafusibles y extráigalo directamente.
3. Quite el fusible fundido del portafusibles y sustituya el fusible con otro del mismo tipo y categoría.
4. Vuelva a insertar el portafusibles y conecte de nuevo la alimentación.

Montaje

Antes de montar este producto, lea las [Notas de seguridad](#).

Diagrama de montaje



Descripción del panel de control

| Botón | Función |
|---------|--|
| <MENU> | Sale del menú o función actual |
| <UP> | Navega hacia arriba por la lista de menú y aumenta el valor numérico cuando está en una función |
| <DOWN> | Navega hacia abajo por la lista de menú y disminuye el valor numérico cuando está en una función |
| <ENTER> | Habilita el menú actualmente en pantalla o configura el valor seleccionado actualmente dentro de la función seleccionada |

Mapa de menú

| Nivel principal | Niveles de programación | | Descripción | |
|---------------------|-----------------------------|--|---|------------------------------------|
| Address | 001–512 | | Selecciona la dirección inicial DMX | |
| Run Mode | DMX | 16CH | Selecciona el modo de ejecución DMX | |
| | | 10CH | | |
| | Slave | Slave1–4 | Selecciona el modo Esclavo 1, 2, 3 o 4 | |
| | Auto | | Selecciona el modo Automático | |
| | Sound | | Selecciona el modo Activo por sonido | |
| | IR | | Selecciona el control por infrarrojos | |
| | Manual | 000–255 | Pan | Control manual de panorámico |
| | | | Tilt | Control manual de inclinación |
| | | | Color | Control manual de color |
| | | | Gobo | Control manual de gobo giratorio |
| | | | Gobo Rotate | Control manual de rotación de gobo |
| | | | Gobo2 | Control manual de gobo estático |
| | | | Prism | Control manual de prisma |
| | | | Focus | Control manual de foco |
| | | | Zoom | Control manual de zoom |
| Dimmer | | | Control manual de atenuador | |
| Shutter | Control manual de obturador | | | |
| Setup | Pan Reverse | OFF | Funcionamiento de panorámico normal | |
| | | ON | Invierte el funcionamiento del panorámico | |
| | Tilt Reverse | OFF | Funcionamiento inclinación normal | |
| | | ON | Invierte el funcionamiento de la inclinación | |
| | Screen Reverse | OFF | Pantalla normal | |
| | | ON | Invierte la pantalla | |
| | Pan Angle | 540 | Selecciona el rango de panorámico de 540° | |
| | | 360 | Selecciona el rango de panorámico de 360° | |
| | | 180 | Selecciona el rango de panorámico de 180° | |
| | Tilt Angle | 270 | Selecciona el rango de inclinación de 270° | |
| | | 180 | Selecciona el rango de inclinación de 180° | |
| | | 90 | Selecciona el rango de inclinación de 90° | |
| | Totem Mode | OFF | No restringe el movimiento panorámico y de inclinación | |
| | | UP | Restringe el movimiento panorámico y de inclinación para el montaje en altura | |
| | | DOWN | Restringe el movimiento panorámico y de inclinación para el montaje en suelo/superficie | |
| | Sensitivity | 001–100 | Control de sensibilidad al sonido | |
| | Indicator | ON | Activa/desactiva el indicador LED | |
| | | OFF | | |
| Flash if DMX | ON | Activa/desactiva destello si DMX | | |
| | OFF | | | |
| Reset | | Reinicia el producto | | |
| Factory Set | | Carga los valores por defecto de fábrica | | |
| Sys Info | Ver: | V_ | Muestra en pantalla la versión de firmware | |
| | Running Mode | ----- | Muestra el modo de ejecución actual | |
| | DMX Address | --- | Muestra la dirección DMX actual | |
| | Temperature | --- | Muestra la temperatura actual del producto | |

Enlace DMX

El Intimidator Spot 475Z puede funcionar con un controlador DMX cuando se enlaza por conexiones serie DMX. Las instrucciones para conectar y configurar este producto para funcionamiento DMX están en el Manual de usuario. Si no está familiarizado con DMX, descargue el Manual DMX de www.chauvetdj.com.

Dirección de inicio

Para asegurarse acceso total a todos los canales en cada modo DMX, la dirección DMX más recomendable es **497**.

Conexión Maestro/Esclavo

El Intimidator Spot 475Z usa la conexión de datos DMX para su modo Maestro/Esclavo. Las instrucciones para conectar y configurar este producto para funcionamiento Maestro/Esclavo están en el Manual de usuario.

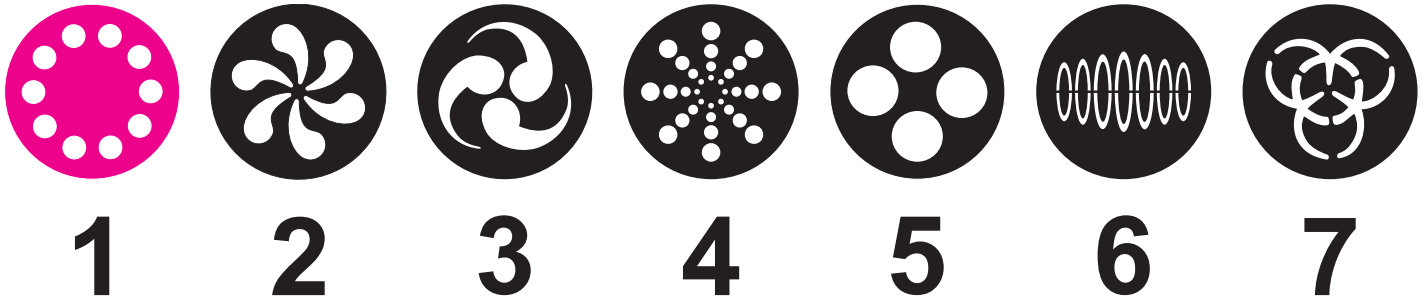
IRC-6 (control remoto por infrarrojos)

El Intimidator Spot 475Z es totalmente compatible con el control remoto por infrarrojos (IRC-6) de CHAUVET DJ. Para información adicional sobre el IRC-6 o para descargar las instrucciones, consulte www.chauvetdj.com.

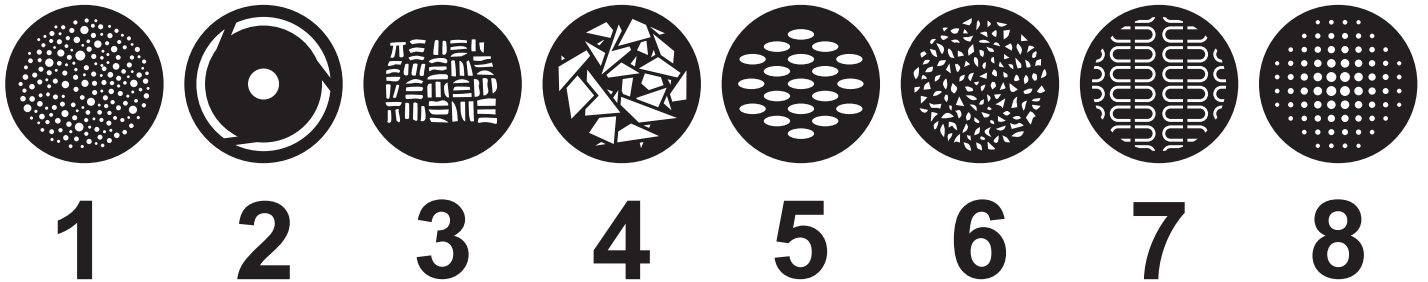
Valores DMX

Gobos

Gobo - Rueda de gobo giratorio



Gobo2 - Rueda de gobo estático



16CH

| Canal | Función | Valor | Porcentaje/Configuración |
|-----------|---|-----------|---|
| 1 | Panorámico | 000 ⇔ 255 | 0–540° |
| 2 | Panorámico fino | 000 ⇔ 255 | Control fino del panorámico |
| 3 | Inclinación | 000 ⇔ 255 | 0–270° |
| 4 | Inclinación fina | 000 ⇔ 255 | Control fino de la inclinación |
| 5 | Velocidad | 000 ⇔ 255 | Velocidad de panorámico/inclinación, rápido a lento |
| 6 | Rueda de color | 000 ⇔ 007 | Blanco |
| | | 008 ⇔ 015 | Naranja |
| | | 016 ⇔ 023 | Verde lima |
| | | 024 ⇔ 031 | Cian |
| | | 032 ⇔ 039 | Rojo |
| | | 040 ⇔ 047 | Verde |
| | | 048 ⇔ 055 | Magenta |
| | | 056 ⇔ 063 | Amarillo |
| | | 064 | Blanco |
| | | 065 ⇔ 189 | Indexación de color |
| | | 190 ⇔ 221 | Ciclo de color arco iris, rápido a lento |
| | | 222 ⇔ 223 | Parada |
| 224 ⇔ 255 | Ciclo de color arco iris inverso, lento a rápido | | |
| 7 | Rueda de gobo giratorio (Gobo) (véase Gobos) | 000 ⇔ 007 | Abierto |
| | | 008 ⇔ 015 | Gobo 1 |
| | | 016 ⇔ 023 | Gobo 2 |
| | | 024 ⇔ 031 | Gobo 3 |
| | | 032 ⇔ 039 | Gobo 4 |
| | | 040 ⇔ 047 | Gobo 5 |
| | | 048 ⇔ 055 | Gobo 6 |
| | | 056 ⇔ 063 | Gobo 7 |
| | | 064 ⇔ 071 | Vibración gobo 7, lento a rápido |
| | | 072 ⇔ 079 | Vibración gobo 6, lento a rápido |
| | | 080 ⇔ 087 | Vibración gobo 5, lento a rápido |
| | | 088 ⇔ 095 | Vibración gobo 4, lento a rápido |
| | | 096 ⇔ 103 | Vibración gobo 3, lento a rápido |
| | | 104 ⇔ 111 | Vibración gobo 2, lento a rápido |
| | | 112 ⇔ 119 | Vibración gobo 1, lento a rápido |
| | | 120 ⇔ 127 | Abierto |
| | | 128 ⇔ 191 | Efecto cíclico, lento a rápido |
| 192 ⇔ 255 | Efecto cíclico inverso, lento a rápido | | |
| 8 | Rotación de gobo | 000 ⇔ 063 | Indexación de gobo |
| | | 064 ⇔ 147 | Rotación de gobo, lento a rápido |
| | | 148 ⇔ 231 | Rotación de gobo inverso, lento a rápido |
| | | 232 ⇔ 255 | Rebote de gobo, corto a largo |

| Canal | Función | Valor | Porcentaje/Configuración |
|-----------|---|-----------|---|
| 9 | Rueda de gobo estático (Gobo2) (véase Gobos) | 000 ⇔ 006 | Abierto |
| | | 007 ⇔ 013 | Gobo 1 |
| | | 014 ⇔ 020 | Gobo 2 |
| | | 021 ⇔ 027 | Gobo 3 |
| | | 028 ⇔ 034 | Gobo 4 |
| | | 035 ⇔ 041 | Gobo 5 |
| | | 042 ⇔ 048 | Gobo 6 |
| | | 049 ⇔ 055 | Gobo 7 |
| | | 056 ⇔ 063 | Gobo 8 |
| | | 064 ⇔ 071 | Vibración gobo 8, lento a rápido |
| | | 072 ⇔ 078 | Vibración gobo 7, lento a rápido |
| | | 079 ⇔ 085 | Vibración gobo 6, lento a rápido |
| | | 086 ⇔ 092 | Vibración gobo 5, lento a rápido |
| | | 093 ⇔ 099 | Vibración gobo 4, lento a rápido |
| | | 100 ⇔ 106 | Vibración gobo 3, lento a rápido |
| | | 107 ⇔ 113 | Vibración gobo 2, lento a rápido |
| | | 114 ⇔ 120 | Vibración gobo 1, lento a rápido |
| | | 121 ⇔ 127 | Abierto |
| 128 ⇔ 191 | Efecto cíclico, lento a rápido | | |
| 192 ⇔ 255 | Efecto cíclico inverso, lento a rápido | | |
| 10 | Prisma | 000 ⇔ 003 | Sin función |
| | | 004 ⇔ 006 | Prisma 1 (redondo) |
| | | 007 ⇔ 065 | Rotación, lento a rápido |
| | | 066 ⇔ 123 | Rotación inverso, lento a rápido |
| | | 124 ⇔ 127 | Prisma 1 (redondo) |
| | | 128 ⇔ 131 | Sin función |
| | | 132 ⇔ 134 | Prisma 2 (lineal) |
| | | 135 ⇔ 193 | Rotación, lento a rápido |
| | | 194 ⇔ 251 | Rotación inverso, lento a rápido |
| 252 ⇔ 255 | Prisma 2 (lineal) | | |
| 11 | Foco | 000 ⇔ 255 | 0–100% |
| 12 | Zoom | 000 ⇔ 255 | De ancho a estrecho |
| 13 | Atenuador | 000 ⇔ 255 | 0–100% |
| 14 | Obturador | 000 ⇔ 003 | Apagado |
| | | 004 ⇔ 007 | Encendido |
| | | 008 ⇔ 076 | Estroboscopio, lento a rápido |
| | | 077 ⇔ 145 | Estroboscopio de pulso, lento a rápido |
| | | 146 ⇔ 215 | Estroboscopio aleatorio, lento a rápido |
| | | 216 ⇔ 255 | Encendido |

| Canal | Función | Valor | Porcentaje/Configuración |
|-----------|-----------------------------|------------------|--|
| 15 | Control | 000 ⇔ 007 | Sin función |
| | | 008 ⇔ 015 | Oscuro en movimiento panorámico/inclinación |
| | | 016 ⇔ 023 | Oscuro en movimiento de rueda de color |
| | | 024 ⇔ 031 | Oscuro en movimiento de rueda de gobo |
| | | 032 ⇔ 039 | Oscuro en movimiento panorámico/inclinación/rueda de color |
| | | 040 ⇔ 047 | Oscuro en movimiento panorámico/inclinación/rueda de gobo |
| | | 048 ⇔ 055 | Oscuro en movimiento panorámico/inclinación/rueda de color/rueda de gobo |
| | | 056 ⇔ 095 | Sin función |
| | | 096 ⇔ 103 | Reiniciar panorámico |
| | | 104 ⇔ 111 | Reiniciar inclinación |
| | | 112 ⇔ 119 | Reiniciar rueda de color |
| | | 120 ⇔ 127 | Reiniciar ruedas de gobo |
| | | 128 ⇔ 135 | Sin función |
| | | 136 ⇔ 143 | Reiniciar prisma |
| | | 144 ⇔ 151 | Sin función |
| | | 152 ⇔ 159 | Reiniciar todos |
| | | 160 ⇔ 255 | Sin función |
| 16 | Macros de movimiento | 000 ⇔ 007 | Sin función |
| | | 008 ⇔ 023 | Macro de movimiento 1 |
| | | 024 ⇔ 039 | Macro de movimiento 2 |
| | | 040 ⇔ 055 | Macro de movimiento 3 |
| | | 056 ⇔ 071 | Macro de movimiento 4 |
| | | 072 ⇔ 087 | Macro de movimiento 5 |
| | | 088 ⇔ 103 | Macro de movimiento 6 |
| | | 104 ⇔ 119 | Macro de movimiento 7 |
| | | 120 ⇔ 135 | Macro de movimiento 8 |
| | | 136 ⇔ 151 | Macro de movimiento activo por sonido 1 |
| | | 152 ⇔ 167 | Macro de movimiento activo por sonido 2 |
| | | 168 ⇔ 183 | Macro de movimiento activo por sonido 3 |
| | | 184 ⇔ 199 | Macro de movimiento activo por sonido 4 |
| | | 200 ⇔ 215 | Macro de movimiento activo por sonido 5 |
| | | 216 ⇔ 231 | Macro de movimiento activo por sonido 6 |
| | | 232 ⇔ 247 | Macro de movimiento activo por sonido 7 |
| | | 248 ⇔ 255 | Macro de movimiento activo por sonido 8 |

ES

10CH

| Canal | Función | Valor | Porcentaje/Configuración |
|-----------|--|-----------|---|
| 1 | Panorámico | 000 ⇔ 255 | 0–540° |
| 2 | Inclinación | 000 ⇔ 255 | 0–270° |
| 3 | Rueda de color | 000 ⇔ 007 | Blanco |
| | | 008 ⇔ 015 | Naranja |
| | | 016 ⇔ 023 | Verde lima |
| | | 024 ⇔ 031 | Cian |
| | | 032 ⇔ 039 | Rojo |
| | | 040 ⇔ 047 | Verde |
| | | 048 ⇔ 055 | Magenta |
| | | 056 ⇔ 063 | Amarillo |
| | | 064 | Blanco |
| | | 065 ⇔ 189 | Indexación de color |
| | | 190 ⇔ 221 | Ciclo de color arco iris, rápido a lento |
| | | 222 ⇔ 223 | Parada |
| | | 224 ⇔ 255 | Ciclo de color arco iris inverso, lento a rápido |
| | | 4 | Rueda de gobo giratorio (Gobo) (véase Gobos) |
| 008 ⇔ 015 | Gobo 1 | | |
| 016 ⇔ 023 | Gobo 2 | | |
| 024 ⇔ 031 | Gobo 3 | | |
| 032 ⇔ 039 | Gobo 4 | | |
| 040 ⇔ 047 | Gobo 5 | | |
| 048 ⇔ 055 | Gobo 6 | | |
| 056 ⇔ 063 | Gobo 7 | | |
| 064 ⇔ 071 | Vibración gobo 7, lento a rápido | | |
| 072 ⇔ 079 | Vibración gobo 6, lento a rápido | | |
| 080 ⇔ 087 | Vibración gobo 5, lento a rápido | | |
| 088 ⇔ 095 | Vibración gobo 4, lento a rápido | | |
| 096 ⇔ 103 | Vibración gobo 3, lento a rápido | | |
| 104 ⇔ 111 | Vibración gobo 2, lento a rápido | | |
| 112 ⇔ 119 | Vibración gobo 1, lento a rápido | | |
| 120 ⇔ 127 | Abierto | | |
| 128 ⇔ 191 | Efecto cíclico, lento a rápido | | |
| 192 ⇔ 255 | Efecto cíclico inverso, lento a rápido | | |
| 5 | Rotación de gobo | 000 ⇔ 063 | Indexación de gobo |
| | | 064 ⇔ 147 | Rotación de gobo, lento a rápido |
| | | 148 ⇔ 231 | Rotación de gobo inverso, lento a rápido |
| | | 232 ⇔ 255 | Rebote de gobo, corto a largo |

| Canal | Función | Valor | Porcentaje/Configuración |
|------------------|--|------------------|---|
| 6 | Rueda de gobo estático (Gobo2) (véase Gobos) | 000 ⇔ 006 | Abierto |
| | | 007 ⇔ 013 | Gobo 1 |
| | | 014 ⇔ 020 | Gobo 2 |
| | | 021 ⇔ 027 | Gobo 3 |
| | | 028 ⇔ 034 | Gobo 4 |
| | | 035 ⇔ 041 | Gobo 5 |
| | | 042 ⇔ 048 | Gobo 6 |
| | | 049 ⇔ 055 | Gobo 7 |
| | | 056 ⇔ 063 | Gobo 8 |
| | | 064 ⇔ 071 | Vibración gobo 8, lento a rápido |
| | | 072 ⇔ 078 | Vibración gobo 7, lento a rápido |
| | | 079 ⇔ 085 | Vibración gobo 6, lento a rápido |
| | | 086 ⇔ 092 | Vibración gobo 5, lento a rápido |
| | | 093 ⇔ 099 | Vibración gobo 4, lento a rápido |
| | | 100 ⇔ 106 | Vibración gobo 3, lento a rápido |
| | | 107 ⇔ 113 | Vibración gobo 2, lento a rápido |
| | | 114 ⇔ 120 | Vibración gobo 1, lento a rápido |
| | | 121 ⇔ 127 | Abierto |
| 128 ⇔ 191 | Efecto cíclico, lento a rápido | | |
| 192 ⇔ 255 | Efecto cíclico inverso, lento a rápido | | |
| 7 | Prisma | 000 ⇔ 003 | Sin función |
| | | 004 ⇔ 006 | Prisma 1 (redondo) |
| | | 007 ⇔ 065 | Rotación, lento a rápido |
| | | 066 ⇔ 123 | Rotación inverso, lento a rápido |
| | | 124 ⇔ 127 | Prisma 1 (redondo) |
| | | 128 ⇔ 131 | Sin función |
| | | 132 ⇔ 134 | Prisma 2 (lineal) |
| | | 135 ⇔ 193 | Rotación, lento a rápido |
| | | 194 ⇔ 251 | Rotación inverso, lento a rápido |
| | | 252 ⇔ 255 | Prisma 2 (lineal) |
| 8 | Foco | 000 ⇔ 255 | 0–100% |
| 9 | Zoom | 000 ⇔ 255 | De ancho a estrecho |
| 10 | Obturador | 000 ⇔ 003 | Apagado |
| | | 004 ⇔ 007 | Encendido |
| | | 008 ⇔ 076 | Estroboscopio, lento a rápido |
| | | 077 ⇔ 145 | Estroboscopio de pulso, lento a rápido |
| | | 146 ⇔ 215 | Estroboscopio aleatorio, lento a rápido |
| | | 216 ⇔ 255 | Encendido |

A propos de ce manuel

Le Manuel de Référence (MdR) du Intimidator Spot 475Z reprend des informations de base sur cet appareil notamment en matière de montage, d'options de menu et de valeurs DMX. Veuillez télécharger le manuel d'utilisation à partir du site internet www.chauvetdj.com pour plus de détails.

Clause de non Responsabilité

Les informations et caractéristiques contenues dans ce MdR sont sujettes à modification sans préavis.

GARANTIE LIMITÉE

VEUILLEZ VISITER NOTRE SITE INTERNET POUR CONSULTER LES MODALITÉS D'ENREGISTREMENT DE LA GARANTIE ET LES CONDITIONS GÉNÉRALES COMPLÈTES.

Pour les clients aux États-Unis et au Mexique: www.chauvetlighting.com/warranty-registration.

Pour les clients du Royaume-Uni, de la République d'Irlande, de la Belgique, des Pays-Bas, du Luxembourg, de la France et de l'Allemagne: www.chauvetlighting.eu/warranty-registration.

Chauvet garantit que cet appareil est exempt de défauts de matériaux et de fabrication dans des conditions normales d'utilisation, pendant la période spécifiée dans la garantie limitée complète consultable sur notre site Internet et sous réserve des exclusions et limitations qui y sont énoncées. Cette garantie ne s'applique qu'à l'acheteur initial du produit et n'est pas transférable. Pour exercer les droits prévus par cette garantie, vous devez fournir une preuve d'achat sous la forme d'un reçu de vente original d'un revendeur autorisé qui indique le nom du produit et la date d'achat. IL N'EXISTE AUCUNE AUTRE GARANTIE EXPRESSE OU IMPLICITE. Cette garantie vous confère des droits légaux spécifiques. Vous pouvez également bénéficier d'autres droits qui varient selon les états et les pays. Cette garantie n'est valable qu'aux États-Unis, au Royaume-Uni, en République d'Irlande, en Belgique, aux Pays-Bas, au Luxembourg, en France, en Allemagne et au Mexique. Pour connaître les conditions de garantie dans d'autres pays, veuillez consulter votre revendeur local.

Consignes de Sécurité

Ces consignes de sécurité contiennent des informations importantes en matière d'installation, d'utilisation et d'entretien.



- Cet appareil DOIT être relié à un circuit mis à la terre et protégé.
- Toujours débrancher l'appareil de la source d'alimentation avant de le nettoyer ou de remplacer son fusible.
- NE PAS exposer directement les yeux à la source de lumière lorsque le produit est allumé.
- Veillez à ce que le cordon d'alimentation ne soit jamais pincé ou endommagé.
- Ne débranchez jamais cet appareil en tirant sur le cordon d'alimentation.
- En cas de montage de l'appareil en hauteur, veillez à toujours utiliser un câble de sécurité.
- NE PAS laisser de produit inflammable à proximité de l'appareil lorsque celui-ci fonctionne.
- NE PAS toucher au boîtier de l'appareil lorsqu'il est en fonctionnement, celui-ci pouvant être très chaud.



- La tension de la source d'énergie à laquelle est connecté cet appareil doit être dans la plage indiquée sur l'étiquette ou sur le panneau arrière de l'appareil.
- Cet appareil doit uniquement être utilisé en intérieur! (IP20) Afin d'éviter tout risque d'incendie ou de décharge électrique, veillez à n'exposer cet appareil ni à la pluie ni à l'humidité.
- Installez toujours cet appareil dans un endroit bien ventilé à au moins 50 cm (20 po) des surfaces adjacentes.
- Assurez-vous qu'aucune fente de ventilation de l'appareil n'est obstruée.
- Ne connectez jamais cet appareil à un variateur ou un rhéostat.
- Lors du remplacement du fusible, utilisez le même type et le même ampérage.
- Utilisez EXCLUSIVEMENT le support de suspension/fixation pour soulever cet appareil.
- La température ambiante maximale est de 40 °C (104 °F). Ne faites pas fonctionner cet appareil à des températures plus élevées.
- En cas de sérieux problèmes de fonctionnement, arrêtez l'appareil immédiatement.
- NE PAS ouvrir cet appareil. Il ne contient aucune pièce réparable par l'utilisateur.
- Durant les périodes de non-utilisation, pour éviter toute usure inutile et pour prolonger la durée de vie, éteignez complètement l'appareil en le débranchant ou en coupant le disjoncteur.

En dehors des États-Unis, du Royaume-Uni, de l'Irlande, du Benelux, de la France, de l'Allemagne, ou du Mexique, contactez votre fournisseur si vous avez besoin d'assistance ou pour retourner un appareil. Référez-vous à [Contact Us](#) à la fin de ce MdR pour obtenir des informations pour nous contacter.

Contenu

- Intimidator Spot 475Z
- Cordon d'alimentation
- Fixation de suspension
- Manuel de Référence

Préalable

Déballez votre Intimidator Spot 475Z et assurez-vous que vous avez reçu toutes les pièces en bon état. Si la boîte et/ou son contenu semble endommagés, contactez immédiatement le transporteur, et non pas Chauvet.

Alimentation CA

Cet appareil est doté d'une alimentation universelle qui peut prendre en charge toute tension d'entrée comprise entre 100 et 240 VCA, 50/60 Hz.



Durant les périodes de non-utilisation, pour éviter toute usure inutile et pour prolonger la durée de vie, éteignez complètement l'appareil en le débranchant ou en coupant le disjoncteur.

Chaînage électrique

Pour savoir combien de projecteurs Intimidator Spot 475Z peuvent être chaînés entre eux au maximum sur du 120 V ou du 240 V, veuillez consulter le manuel de l'utilisateur ou l'étiquette sur l'appareil.

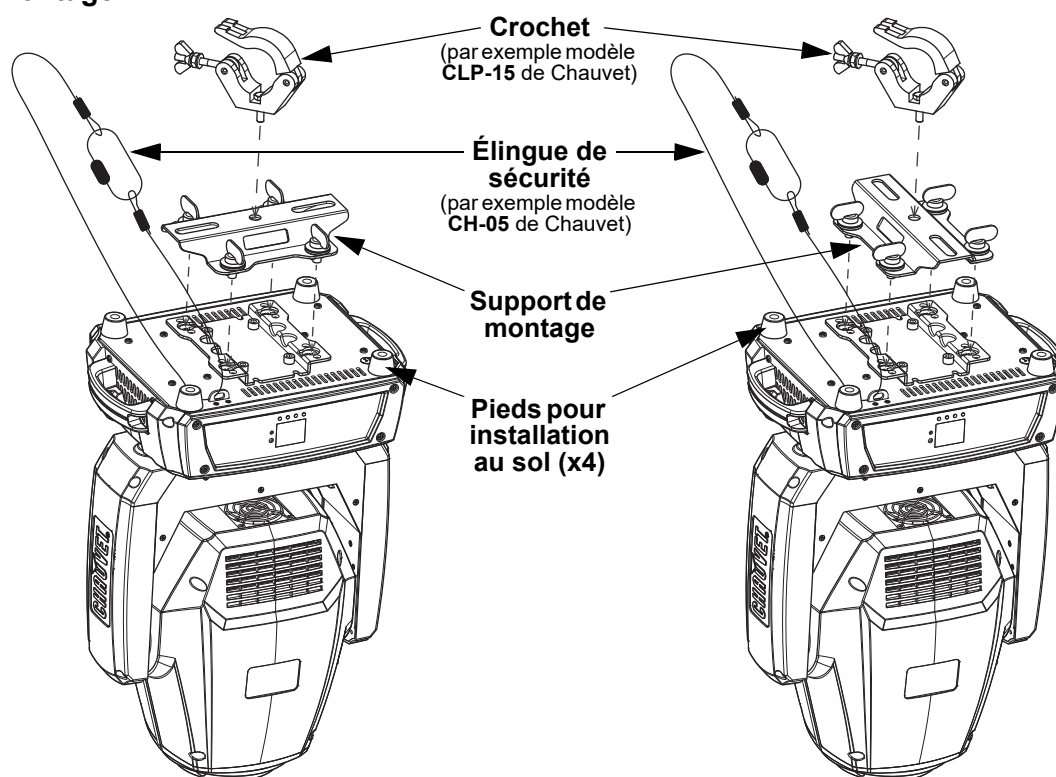
Remplacement des fusibles

1. Débranchez l'appareil.
2. Avec un tournevis à tête plate, desserrez le porte-fusible et retirez-le directement.
3. Enlevez le fusible grillé du porte fusible et remplacez-le par un fusible de même type et de même ampérage.
4. Remettez le porte-fusible en place puis rebranchez.

Montage

Avant de monter cet appareil, veuillez lire les [Consignes de Sécurité](#).

Schéma de montage



Description du panneau de commande

| Bouton | Fonction |
|---------|--|
| <MENU> | Permet de sortir du menu ou de la fonction en cours |
| <UP> | Permet de naviguer vers le haut dans la liste du menu et d'incrémenter une valeur numérique dans une fonction |
| <DOWN> | Permet de naviguer vers le bas dans la liste du menu et de décrémenter une valeur numérique dans une fonction |
| <ENTER> | Active l'entrée de menu actuellement affichée ou confirme la valeur actuellement sélectionnée pour la fonction en cours de sélection |

Menu carte

| Fonction principale | Niveaux de programmation | | Description | |
|---------------------|-------------------------------|--------------------------------------|--|--|
| Address | 001–512 | | Sélectionne l'adresse DMX de départ | |
| Run Mode | DMX | 16CH | Activation du mode DMX | |
| | | 10CH | | |
| | Slave | Slave1–4 | | Active le mode esclave (1, 2, 3 ou 4) |
| | | Auto | | Activation du mode automatique |
| | Sound | | Activation du mode d'activation par la musique. | |
| | IR | | Activation du contrôle par infra-rouge | |
| | Manual | 000–255 | Pan | Contrôle manuel de pan |
| | | | Tilt | Contrôle manuel de tilt |
| | | | Color | Contrôle manuel de la couleur |
| | | | Gobo | Contrôle manuel de gobo rotative |
| | | | Gobo Rotate | Contrôle manuel de la rotation de gobo |
| | | | Gobo2 | Contrôle manuel de gobo statique |
| | | | Prism | Contrôle manuel de prisme |
| | | | Focus | Contrôle manuel de focale |
| Zoom | | | Contrôle manuel de zoom | |
| Dimmer | | | Contrôle manuel de gradateur | |
| Shutter | Contrôle manuel de obturateur | | | |
| Setup | Pan Reverse | OFF | Fonctionnement normal du pan | |
| | | ON | Fonctionnement inversé du pan | |
| | Tilt Reverse | OFF | Fonctionnement normal du tilt | |
| | | ON | Fonctionnement inversé du tilt | |
| | Screen Reverse | OFF | Affichage normal | |
| | | ON | Affichage inversé | |
| | Pan Angle | 540 | Sélection de la plage de pan sur un angle de 540° | |
| | | 360 | Sélection de la plage de pan sur un angle de 360° | |
| | | 180 | Sélection de la plage de pan sur un angle de 180° | |
| | Tilt Angle | 270 | Sélection de la plage de tilt sur un angle de 270° | |
| | | 180 | Sélection de la plage de tilt sur un angle de 180° | |
| | | 90 | Sélection de la plage de tilt sur un angle de 90° | |
| | Totem Mode | OFF | Ne limite pas le mouvement de panoramique et de l'inclinaison | |
| | | UP | Limite le mouvement de panoramique et d'inclinaison pour l'installation en hauteur | |
| | | DOWN | Limite le mouvement de panoramique et d'inclinaison pour la l'installation sur une surface ou sur le sol | |
| | Sensitivity | 001–100 | Contrôle de la sensibilité au son | |
| | Indicator | ON | Active/désactive l'indicateur LED | |
| | | OFF | | |
| Flash if DMX | ON | Active/désactive flash si DMX | | |
| | OFF | | | |
| Reset | | Réinitialisation de l'appareil | | |
| Factory Set | | Chargement des paramètres par défaut | | |
| Sys Info | Ver: | V_ | Affiche la version du micrologiciel | |
| | Running Mode | ----- | Affiche le mode d'exécution courant | |
| | DMX Address | --- | Affiche l'adresse DMX courante | |
| | Temperature | --- | Affiche la température actuelle du produit | |

Chaînage DMX

Le Intimidator Spot 475Z peut fonctionner avec un contrôleur DMX. Les instructions pour la connexion et la configuration de cet appareil pour le fonctionnement en DMX sont indiquées dans le manuel d'utilisation. Si vous n'êtes pas familier avec le protocole DMX, vous pouvez télécharger l'introduction au DMX à l'adresse www.chauvetdj.com.

Adresse de départ

Pour permettre un accès à l'ensemble des canaux de chaque mode DMX, l'adresse DMX maximale recommandée est **497**.

Connexion maître/esclave

Le Intimidator Spot 475Z utilise une connexion de données DMX pour le fonctionnement de son mode maître/esclave. Les instructions pour la connexion et la configuration de cet appareil pour le fonctionnement en maître/esclave sont indiquées dans le manuel d'utilisation.

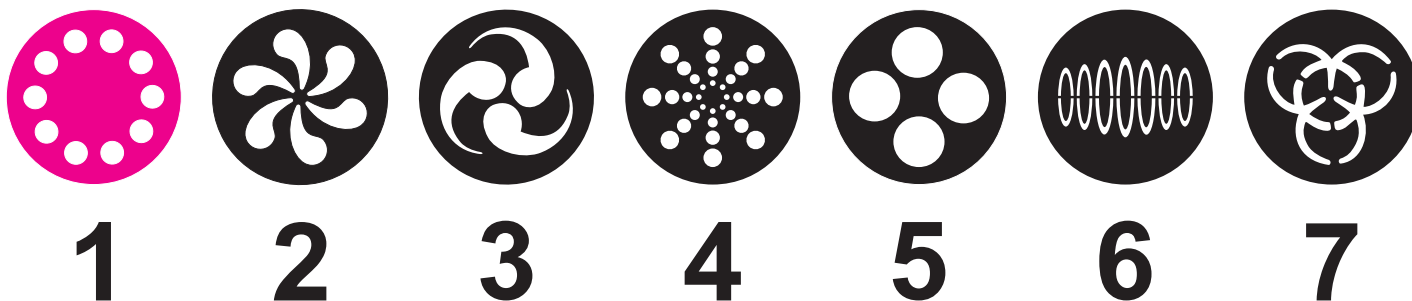
IRC-6 (Télécommande par infrarouge)

Le Intimidator Spot 475Z est compatible avec la télécommande infra-rouge (IRC-6) de CHAUVET DJ. Pour plus d'informations sur l'IRC-6 ou pour télécharger les instructions, rendez-vous à l'adresse www.chauvetdj.com.

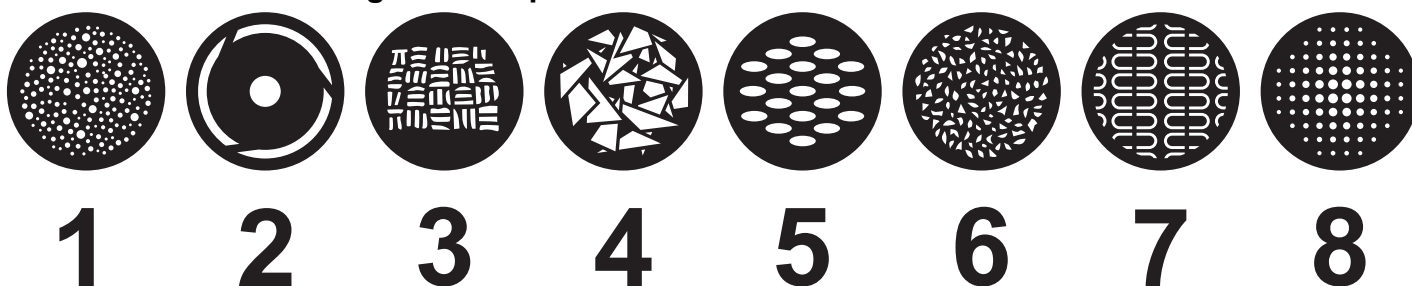
Valeurs DMX

Gobos

Gobo - Roue de gobo rotative



Gobo2 - Roue de gobo statique



FR

16CH

| Canal | Fonction | Valeur | Pourcentage/Paramétrage |
|-----------|---|-----------|--|
| 1 | Pan | 000 ⇔ 255 | 0 à 540° |
| 2 | Pan fin | 000 ⇔ 255 | Contrôle précis du pan |
| 3 | Tilt | 000 ⇔ 255 | 0 à 270° |
| 4 | Tilt fin | 000 ⇔ 255 | Contrôle précis du tilt |
| 5 | Vitesse de pan/tilt | 000 ⇔ 255 | Vitesse de pan/tilt (rapide à lent) |
| 6 | Roue de couleur | 000 ⇔ 007 | Blanc |
| | | 008 ⇔ 015 | Orange |
| | | 016 ⇔ 023 | Vert citron |
| | | 024 ⇔ 031 | Cyan |
| | | 032 ⇔ 039 | Rouge |
| | | 040 ⇔ 047 | Vert |
| | | 048 ⇔ 055 | Magenta |
| | | 056 ⇔ 063 | Jaune |
| | | 064 | Blanc |
| | | 065 ⇔ 189 | Indexation des couleurs |
| | | 190 ⇔ 221 | Arc-en-ciel de couleur en cycle, rapide à lent |
| | | 222 ⇔ 223 | Arrêt |
| 224 ⇔ 255 | Arc-en-ciel de couleur en cycle inverse, lent à rapide | | |
| 7 | Roue de gobo rotative (Gobo) (voir la section Gobos) | 000 ⇔ 007 | Ouvert |
| | | 008 ⇔ 015 | Gobo 1 |
| | | 016 ⇔ 023 | Gobo 2 |
| | | 024 ⇔ 031 | Gobo 3 |
| | | 032 ⇔ 039 | Gobo 4 |
| | | 040 ⇔ 047 | Gobo 5 |
| | | 048 ⇔ 055 | Gobo 6 |
| | | 056 ⇔ 063 | Gobo 7 |
| | | 064 ⇔ 071 | Tremblement du gobo 7, lent à rapide |
| | | 072 ⇔ 079 | Tremblement du gobo 6, lent à rapide |
| | | 080 ⇔ 087 | Tremblement du gobo 5, lent à rapide |
| | | 088 ⇔ 095 | Tremblement du gobo 4, lent à rapide |
| | | 096 ⇔ 103 | Tremblement du gobo 3, lent à rapide |
| | | 104 ⇔ 111 | Tremblement du gobo 2, lent à rapide |
| | | 112 ⇔ 119 | Tremblement du gobo 1, lent à rapide |
| | | 120 ⇔ 127 | Ouvert |
| | | 128 ⇔ 191 | Effet de cycle, lent à rapide |
| 192 ⇔ 255 | Effet de cycle inversé, lent à rapide | | |
| 8 | Rotation de Gobo | 000 ⇔ 063 | Indexation de gobo |
| | | 064 ⇔ 147 | Rotation de gobo, lent à rapide |
| | | 148 ⇔ 231 | Rotation de gobo inversé, lent à rapide |
| | | 232 ⇔ 255 | Rebond de gobo, court à long |

| Canal | Fonction | Valeur | Pourcentage/Paramétrage |
|-----------|---|-----------|--|
| 9 | Roue de gobo statique (Gobo2) (voir la section Gobos) | 000 ⇔ 006 | Ouvert |
| | | 007 ⇔ 013 | Gobo 1 |
| | | 014 ⇔ 020 | Gobo 2 |
| | | 021 ⇔ 027 | Gobo 3 |
| | | 028 ⇔ 034 | Gobo 4 |
| | | 035 ⇔ 041 | Gobo 5 |
| | | 042 ⇔ 048 | Gobo 6 |
| | | 049 ⇔ 055 | Gobo 7 |
| | | 056 ⇔ 063 | Gobo 8 |
| | | 064 ⇔ 071 | Tremblement du gobo 8, lent à rapide |
| | | 072 ⇔ 078 | Tremblement du gobo 7, lent à rapide |
| | | 079 ⇔ 085 | Tremblement du gobo 6, lent à rapide |
| | | 086 ⇔ 092 | Tremblement du gobo 5, lent à rapide |
| | | 093 ⇔ 099 | Tremblement du gobo 4, lent à rapide |
| | | 100 ⇔ 106 | Tremblement du gobo 3, lent à rapide |
| | | 107 ⇔ 113 | Tremblement du gobo 2, lent à rapide |
| | | 114 ⇔ 120 | Tremblement du gobo 1, lent à rapide |
| | | 121 ⇔ 127 | Ouvert |
| 128 ⇔ 191 | Effet de cycle inversé, lent à rapide | | |
| 192 ⇔ 255 | Effet de cycle, lent à rapide | | |
| 10 | Prisme | 000 ⇔ 003 | Pas de fonction |
| | | 004 ⇔ 006 | Prisme 1 (rond) |
| | | 007 ⇔ 065 | Rotation, lent à rapide |
| | | 066 ⇔ 123 | Rotation inversé, lent à rapide |
| | | 124 ⇔ 127 | Prisme 1 (rond) |
| | | 128 ⇔ 131 | Pas de fonction |
| | | 132 ⇔ 134 | Prisme 2 (linéaire) |
| | | 135 ⇔ 193 | Rotation, lent à rapide |
| | | 194 ⇔ 251 | Rotation inversé, lent à rapide |
| | | 252 ⇔ 255 | Prisme 2 (linéaire) |
| 11 | Focale | 000 ⇔ 255 | 0–100% |
| 12 | Zoom | 000 ⇔ 255 | Large à étroit |
| 13 | Gradateur | 000 ⇔ 255 | 0–100% |
| 14 | Obturateur | 000 ⇔ 003 | Éteint |
| | | 004 ⇔ 007 | Allumé |
| | | 008 ⇔ 076 | Stroboscope, lent à rapide |
| | | 077 ⇔ 145 | Stroboscope à pulsation, lent à rapide |
| | | 146 ⇔ 215 | Stroboscope aléatoire, lent à rapide |
| | | 216 ⇔ 255 | Allumé |

| Canal | Fonction | Valeur | Pourcentage/Paramétrage |
|-------|---------------------|-----------|--|
| 15 | Contrôle | 000 ⇔ 007 | Pas de fonction |
| | | 008 ⇔ 015 | Noir général pendant mouvement de pan/tilt |
| | | 016 ⇔ 023 | Noir général pendant mouvement de roue de couleurs |
| | | 024 ⇔ 031 | Noir général pendant mouvement de roue de gobos |
| | | 032 ⇔ 039 | Noir général lors des mouvements de pan/tilt/roue de couleur |
| | | 040 ⇔ 047 | Noir général lors des mouvements de pan/tilt/roues de gobo |
| | | 048 ⇔ 055 | Noir général lors des mouvements de pan/tilt/roues de couleur/gobo |
| | | 056 ⇔ 095 | Pas de fonction |
| | | 096 ⇔ 103 | Réinitialisation du pan |
| | | 104 ⇔ 111 | Réinitialisation du tilt |
| | | 112 ⇔ 119 | Réinitialisation de la roue de couleur |
| | | 120 ⇔ 127 | Réinitialisation de la roue de gobo |
| | | 128 ⇔ 135 | Pas de fonction |
| | | 136 ⇔ 143 | Réinitialisation du prisme |
| | | 144 ⇔ 151 | Pas de fonction |
| | | 152 ⇔ 159 | Réinitialisation de tous |
| | | 160 ⇔ 255 | Pas de fonction |
| 16 | Macros de mouvement | 000 ⇔ 007 | Pas de fonction |
| | | 008 ⇔ 023 | Macro de mouvement 1 |
| | | 024 ⇔ 039 | Macro de mouvement 2 |
| | | 040 ⇔ 055 | Macro de mouvement 3 |
| | | 056 ⇔ 071 | Macro de mouvement 4 |
| | | 072 ⇔ 087 | Macro de mouvement 5 |
| | | 088 ⇔ 103 | Macro de mouvement 6 |
| | | 104 ⇔ 119 | Macro de mouvement 7 |
| | | 120 ⇔ 135 | Macro de mouvement 8 |
| | | 136 ⇔ 151 | Macro de mouvement activé par le son 1 |
| | | 152 ⇔ 167 | Macro de mouvement activé par le son 2 |
| | | 168 ⇔ 183 | Macro de mouvement activé par le son 3 |
| | | 184 ⇔ 199 | Macro de mouvement activé par le son 4 |
| | | 200 ⇔ 215 | Macro de mouvement activé par le son 5 |
| | | 216 ⇔ 231 | Macro de mouvement activé par le son 6 |
| | | 232 ⇔ 247 | Macro de mouvement activé par le son 7 |
| | | 248 ⇔ 255 | Macro de mouvement activé par le son 8 |

10CH

| Canal | Fonction | Valeur | Pourcentage/Paramétrage |
|-----------|--|-----------|--|
| 1 | Pan | 000 ⇔ 255 | 0 à 540° |
| 2 | Tilt | 000 ⇔ 255 | 0 à 270° |
| 3 | Roue de couleur | 000 ⇔ 007 | Blanc |
| | | 008 ⇔ 015 | Orange |
| | | 016 ⇔ 023 | Vert citron |
| | | 024 ⇔ 031 | Cyan |
| | | 032 ⇔ 039 | Rouge |
| | | 040 ⇔ 047 | Vert |
| | | 048 ⇔ 055 | Magenta |
| | | 056 ⇔ 063 | Jaune |
| | | 064 | Blanc |
| | | 065 ⇔ 189 | Indexation des couleurs |
| | | 190 ⇔ 221 | Arc-en-ciel de couleur en cycle, rapide à lent |
| | | 222 ⇔ 223 | Arrêt |
| | | 224 ⇔ 255 | Arc-en-ciel de couleur en cycle inverse, lent à rapide |
| 4 | Roue de gobo rotative (Gobo) (voir la section Gobos) | 000 ⇔ 007 | Ouvert |
| | | 008 ⇔ 015 | Gobo 1 |
| | | 016 ⇔ 023 | Gobo 2 |
| | | 024 ⇔ 031 | Gobo 3 |
| | | 032 ⇔ 039 | Gobo 4 |
| | | 040 ⇔ 047 | Gobo 5 |
| | | 048 ⇔ 055 | Gobo 6 |
| | | 056 ⇔ 063 | Gobo 7 |
| | | 064 ⇔ 071 | Tremblement du gobo 7, lent à rapide |
| | | 072 ⇔ 079 | Tremblement du gobo 6, lent à rapide |
| | | 080 ⇔ 087 | Tremblement du gobo 5, lent à rapide |
| | | 088 ⇔ 095 | Tremblement du gobo 4, lent à rapide |
| | | 096 ⇔ 103 | Tremblement du gobo 3, lent à rapide |
| | | 104 ⇔ 111 | Tremblement du gobo 2, lent à rapide |
| | | 112 ⇔ 119 | Tremblement du gobo 1, lent à rapide |
| | | 120 ⇔ 127 | Ouvert |
| | | 128 ⇔ 191 | Effet de cycle, lent à rapide |
| 192 ⇔ 255 | Effet de cycle inversé, lent à rapide | | |
| 5 | Rotation de Gobo | 000 ⇔ 063 | Indexation de gobo |
| | | 064 ⇔ 147 | Rotation de gobo, lent à rapide |
| | | 148 ⇔ 231 | Rotation de gobo inversé, lent à rapide |
| | | 232 ⇔ 255 | Rebond de gobo, court à long |

| Canal | Fonction | Valeur | Pourcentage/Paramétrage |
|-----------|--|-----------|--|
| 6 | Roue de gobo statique (Gobo2) (voir la section Gobos) | 000 ⇔ 006 | Ouvert |
| | | 007 ⇔ 013 | Gobo 1 |
| | | 014 ⇔ 020 | Gobo 2 |
| | | 021 ⇔ 027 | Gobo 3 |
| | | 028 ⇔ 034 | Gobo 4 |
| | | 035 ⇔ 041 | Gobo 5 |
| | | 042 ⇔ 048 | Gobo 6 |
| | | 049 ⇔ 055 | Gobo 7 |
| | | 056 ⇔ 063 | Gobo 8 |
| | | 064 ⇔ 071 | Tremblement du gobo 8, lent à rapide |
| | | 072 ⇔ 078 | Tremblement du gobo 7, lent à rapide |
| | | 079 ⇔ 085 | Tremblement du gobo 6, lent à rapide |
| | | 086 ⇔ 092 | Tremblement du gobo 5, lent à rapide |
| | | 093 ⇔ 099 | Tremblement du gobo 4, lent à rapide |
| | | 100 ⇔ 106 | Tremblement du gobo 3, lent à rapide |
| | | 107 ⇔ 113 | Tremblement du gobo 2, lent à rapide |
| | | 114 ⇔ 120 | Tremblement du gobo 1, lent à rapide |
| | | 7 | Prisme |
| 128 ⇔ 191 | Effet de cycle inversé, lent à rapide | | |
| 192 ⇔ 255 | Effet de cycle, lent à rapide | | |
| 000 ⇔ 003 | Pas de fonction | | |
| 004 ⇔ 006 | Prisme 1 (rond) | | |
| 007 ⇔ 065 | Rotation, lent à rapide | | |
| 066 ⇔ 123 | Rotation inversé, lent à rapide | | |
| 124 ⇔ 127 | Prisme 1 (rond) | | |
| 128 ⇔ 131 | Pas de fonction | | |
| 132 ⇔ 134 | Prisme 2 (linéaire) | | |
| 8 | Focale | 135 ⇔ 193 | Rotation, lent à rapide |
| | | 194 ⇔ 251 | Rotation inversé, lent à rapide |
| 9 | Zoom | 252 ⇔ 255 | Prisme 2 (linéaire) |
| 10 | Obturateur | 000 ⇔ 255 | 0–100% |
| | | 000 ⇔ 003 | Large à étroit |
| | | 004 ⇔ 007 | Allumé |
| | | 008 ⇔ 076 | Stroboscope, lent à rapide |
| | | 077 ⇔ 145 | Stroboscope à pulsation, lent à rapide |
| | | 146 ⇔ 215 | Stroboscope aléatoire, lent à rapide |
| | | 216 ⇔ 255 | Allumé |

Über diese Schnellanleitung

In der Schnellanleitung des Intimidator Spot 475Z finden Sie die wesentlichen Produktinformationen, wie etwa über die Montage, Menüoptionen und DMX-Werte des Geräts. Laden Sie für weiterführende Informationen unter www.chauvetdj.com das Benutzerhandbuch herunter.

Haftungsausschluss

Die in dieser Anleitung aufgeführten Informationen und Spezifikationen können ohne vorherige Ankündigung geändert werden.

EINGESCHRÄNKTE GARANTIE

ZUR REGISTRIERUNG FÜR GARANTIEANSPRÜCHE UND ZUR EINSICHT IN DIE VOLLSTÄNDIGEN GESCHÄFTSBEDINGUNGEN BESUCHEN SIE BITTE UNSERE WEBSITE.

Für Kunden in den USA und in Mexiko: www.chauvetlighting.com/warranty-registration.

Für Kunden im Vereinigten Königreich, in Irland, Belgien, den Niederlanden, Luxemburg, Frankreich und Deutschland: www.chauvetlighting.eu/warranty-registration.

Chauvet garantiert für die in der auf unserer Website veröffentlichten vollständigen eingeschränkten Garantie genannten Dauer und unter Vorbehalt der darin genannten Haftungsausschlüsse und -beschränkungen, dass dieses Produkt bei normalen Gebrauch frei von Material- und Verarbeitungsfehlern ist. Diese Garantie erstreckt sich nur auf den Erstkäufer des Produkts und ist nicht übertragbar. Zur Ausübung der unter dieser Garantie gewährten Rechte ist der Kaufbeleg in Form der Originalrechnung von einem autorisierten Händler vorzulegen, in der die Produktbezeichnung und das Kaufdatum vermerkt sein müssen. **ES BESTEHEN KEINE WEITEREN AUSDRÜCKLICHEN ODER STILLSCHWEIGENDEN GARANTIEN.** Diese Garantie gibt Ihnen besondere gesetzliche Rechte. Und Sie haben möglicherweise weitere Rechte, die von Land zu Land unterschiedlich sein können. Diese Garantie ist nur in den USA, im Vereinigten Königreich, in Irland, Belgien, den Niederlanden, Luxemburg, Frankreich, Deutschland und Mexiko gültig. Bezüglich der Garantiebestimmungen in anderen Ländern wenden Sie sich bitte an Ihren lokalen Händler.

Sicherheitshinweise

Diese Sicherheitshinweise enthalten wichtige Informationen über die Montage, Verwendung und Wartung des Geräts.

- Schließen Sie dieses Produkt NUR an einen mit der Erde verbundenen und geschützten Stromkreis an.
- Trennen Sie das Gerät von der Stromquelle, bevor Sie es reinigen oder die Sicherung auswechseln.
- NIEMALS in die Lichtquelle schauen, während das Gerät eingeschaltet ist.
- Stellen Sie sicher, dass das Netzkabel nicht gequetscht oder beschädigt ist.
- Ziehen Sie beim Trennen des Geräts von der Stromversorgung nie am Kabel.
- Bei Montage über Kopf immer ein Sicherheitsseil verwenden.
- KEINE entflammaren Materialien während des Betriebs in der Nähe des Geräts lagern.
- NIEMALS während des Betriebs das Gehäuse berühren, da dies sehr heiß wird.
- Die Spannung der Schukosteckdose, an die Sie das Gerät anschließen, muss sich innerhalb des Spannungsbereiches befinden, der auf dem Hinweisschild oder dem rückwärtigen Bedienfeld des Geräts angegeben ist.
- Dieses Gerät darf nur im Innenbereich verwendet werden. (IP20) Um das Risiko von Bränden oder elektrischen Schlägen zu vermeiden, dürfen Sie das Gerät nicht Regen oder Feuchtigkeit aussetzen.
- Installieren Sie das Gerät an einem Ort mit ausreichender Belüftung und mit einem Abstand von 50 cm zu den angrenzenden Flächen.
- Stellen Sie sicher, dass die Lüftungsöffnungen im Gehäuse des Geräts nicht verschlossen sind.
- Schließen Sie dieses Gerät niemals an einen Dimmer oder Regelwiderstand an.
- Achten Sie beim Auswechseln der Sicherung darauf, den gleichen Typ mit den gleichen Werten zu verwenden.
- Das Gerät NUR an den Hänge-/Befestigungsbügeln oder Griffen tragen.
- Die maximal zulässige Umgebungstemperatur beträgt 40 °C. Nehmen Sie das Gerät nicht bei höheren Temperaturen in Betrieb.
- Bei ernsthaften Betriebsproblemen stoppen Sie umgehend die Verwendung des Geräts.
- Dieses Gerät NICHT öffnen. Die eingebauten Komponenten sind für den Kunden wartungsfrei.
- Um unnötigen Verschleiß zu vermeiden und die Lebensdauer des Geräts zu verlängern, trennen Sie während längerer Perioden des Nichtgebrauchs das Gerät vom Stromnetz – entweder per Trennschalter oder durch Herausziehen des Steckers aus der Steckdose.



Kontakt

Kunden außerhalb der USA, GB, Irland, Benelux, Frankreich, Deutschland oder Mexiko wenden sich an ihren Lieferanten, um den Kundensupport in Anspruch zu nehmen oder ein Produkt zurückzuschicken. Kontaktinformationen finden Sie im [Contact Us](#) am Ende dieses QRG.

Packungsinhalt

- Intimidator Spot 475Z
- Hängebügel
- Netzkabel
- Schnellanleitung

Start

Packen Sie Ihren Intimidator Spot 475Z aus und überprüfen Sie, ob Sie alle Teile unbeschädigt erhalten haben. Wenn die Verpackung beschädigt ist, benachrichtigen Sie umgehend das Transportunternehmen, nicht jedoch Chauvet.

Wechselstrom

Dieses Gerät verfügt über ein Vorschaltgerät, das automatisch die anliegende Spannung erkennt, sobald der Netzstecker in die Schukosteckdose gesteckt wird, und kann mit einer Eingangsspannung von 100~240 V AC, 50/60 Hz arbeiten.



Um unnötigen Verschleiß zu vermeiden und die Lebensdauer des Geräts zu verlängern, trennen Sie während längerer Perioden des Nichtgebrauchs das Gerät vom Stromnetz – entweder per Trennschalter oder durch Herausziehen des Steckers aus der Steckdose.

Serienschaltung der Geräte

Informationen zur maximalen Anzahl der Intimidator Spot 475Z IRC-Geräte, die bei 120 V oder 240 V in Serie geschaltet werden können, finden Sie in der Bedienungsanleitung oder auf dem Typenschild am Gerät.

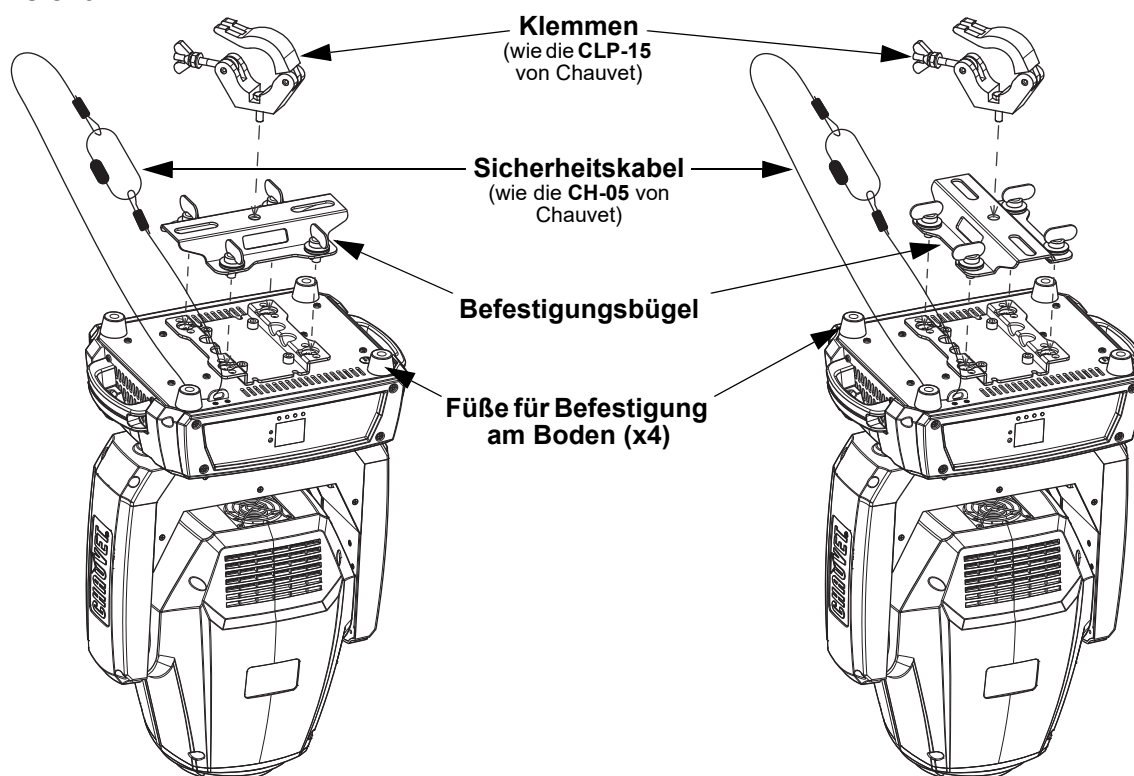
Auswechseln der Sicherung

1. Trennen Sie das Gerät vom Stromnetz.
2. Mithilfe eines Flachkopfschraubendrehers lockern Sie den Sicherungshalter und ziehen ihn gerade heraus.
3. Entfernen Sie die durchgebrannte Sicherung von der Klemme, und ersetzen Sie diese durch eine Sicherung des gleichen Typs und mit den gleichen Werten.
4. Stecken Sie den Sicherungshalter wieder zurück, und schließen Sie das Gerät an das Stromnetz an.

Montage

Lesen Sie vor der Montage dieses Geräts in jedem Fall die [Sicherheitshinweise](#).

Montageansicht



Beschreibung des Bedienfeldes

| Taste | Funktion |
|---------|--|
| <MENU> | Wählt einen Betriebsmodus oder verlässt die aktuelle Menüoption |
| <UP> | Damit navigieren Sie durch die Menüpunkte nach oben und erhöhen den numerischen Wert der entsprechenden Funktionen |
| <DOWN> | Damit navigieren Sie durch die Menüpunkte nach unten und verringern den numerischen Wert der entsprechenden Funktionen |
| <ENTER> | Aktiviert eine Menüoption oder einen ausgewählten Wert |

Menükarte

| Hauptebene | Programmirebenen | | Beschreibung | |
|---------------------|---------------------------|--------------------------|--|--|
| Address | 001–512 | | Stellt die DMX-Startadresse ein | |
| Run Mode | DMX | 16CH | Wählt den DMX-Modus aus | |
| | | 10CH | | |
| | Slave | Slave1–4 | Wählt den Slave-Modus 1, 2, 3 oder 4 aus | |
| | Auto | | Wählt den Auto-Modus aus | |
| | Sound | | Wählt den Musiksteuerungs-Modus aus | |
| | IR | | Wählt eine Infrarot-Steuerung | |
| | Manual | Pan | 000–255 | Manuelle Schwenksteuerung |
| | | Tilt | | Manuelle Neigungssteuerung |
| | | Color | | Manuelle Farbsteuerung |
| | | Gobo | | Manuelle Rotierender Gobo-Steuerung |
| | | Gobo Rotate | | Manuelle Gobo Rotation-Steuerung |
| | | Gobo2 | | Manuelle Statischer Gobo-Steuerung |
| | | Prism | | Manuelle Steuerung des Prisma |
| | | Focus | | Manuelle Steuerung des Fokus |
| | | Zoom | | Manuelle Zoomsteuerung |
| Dimmer | | Manuelle Dimmersteuerung | | |
| Shutter | Manuelle Shuttersteuerung | | | |
| Setup | Pan Reverse | | OFF | Normaler Schwenk-Modus |
| | | | ON | Umgekehrter Schwenk-Modus |
| | Tilt Reverse | | OFF | Normaler Neigungs-Modus |
| | | | ON | Umgekehrter Neigungs-Modus |
| | Screen Reverse | | OFF | Normale Anzeige |
| | | | ON | Umgekehrte Anzeige |
| | Pan Angle | | 540 | Wählt den 540°-Schwenkwinkelbereich aus |
| | | | 360 | Wählt den 360°-Schwenkwinkelbereich aus |
| | | | 180 | Wählt den 180°-Schwenkwinkelbereich aus |
| | Tilt Angle | | 270 | Wählt den 270°-Neigungswinkelbereich aus |
| | | | 180 | Wählt den 180°-Neigungswinkelbereich aus |
| | | | 90 | Wählt den 90°-Neigungswinkelbereich aus |
| | Totem Mode | | OFF | Schränkt die Schwenkungs- und Neigungsbewegung nicht ein |
| | | | UP | Schränkt die Schwenkungs- und Neigungsbewegung bei einer Montage über Kopf ein |
| | | | DOWN | Schränkt die Schwenkungs- und Neigungsbewegung bei einer Bodenmontage ein |
| | Sensitivity | | 001–100 | Musikempfindlichkeitssteuerung |
| | Indicator | | ON | Aktiviert/deaktiviert die LED-Anzeige |
| | | | OFF | |
| Flash if DMX | | ON | Aktiviert/deaktiviert Blink wenn DMX | |
| | | OFF | | |
| Reset | | | Setzt das Gerät zurück | |
| Factory Set | | | Lädt Werkseinstellung | |
| Sys Info | Ver: | V_ | Zeigt die Firmware-Version an | |
| | Running Mode | ----- | Zeigt den aktuellen Betriebsmodus an | |
| | DMX Address | --- | Zeigt die aktuelle DMX-Adresse an | |
| | Temperature | --- | Zeigt die aktuelle Produkttemperatur an | |

DMX-Verbindung

Der Intimidator Spot 475Z kann mit einem DMX-Controller betrieben werden. Anweisungen zum Zusammenschluss und der Konfiguration dieses Geräts für den Betrieb im DMX-Modus finden Sie im Benutzerhandbuch. Wenn Sie mit DMX nicht vertraut sind, laden Sie "DMX - Eine Einführung" unter www.chauvetdj.com herunter.

Startadresse

Um einen vollständigen Zugang zu allen Kanälen in jedem DMX-Modus zu gewährleisten, beträgt die höchste empfohlene DMX-Adresse **497**.

Master/Slave-Schaltung

Der Intimidator Spot 475Z verwendet für seinen Master/Slave-Modus eine DMX-Datenverbindung. Anweisungen zum Zusammenschluss und der Konfiguration dieses Geräts für den Betrieb im Master/Slave-Modus finden Sie im Benutzerhandbuch.

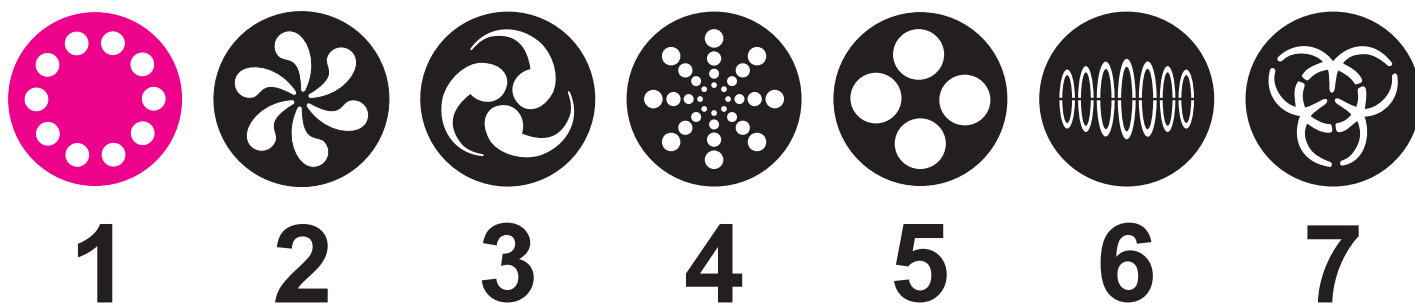
IRC-6 (Infrarot-Fernbedienung)

Der Intimidator Spot 475Z ist vollständig kompatibel mit der Infrarot-Fernbedienung (IRC-6) von CHAUVET DJ. Weitere Informationen zur IRC-6 oder herunterladbare Anweisungen finden Sie unter www.chauvetdj.com.

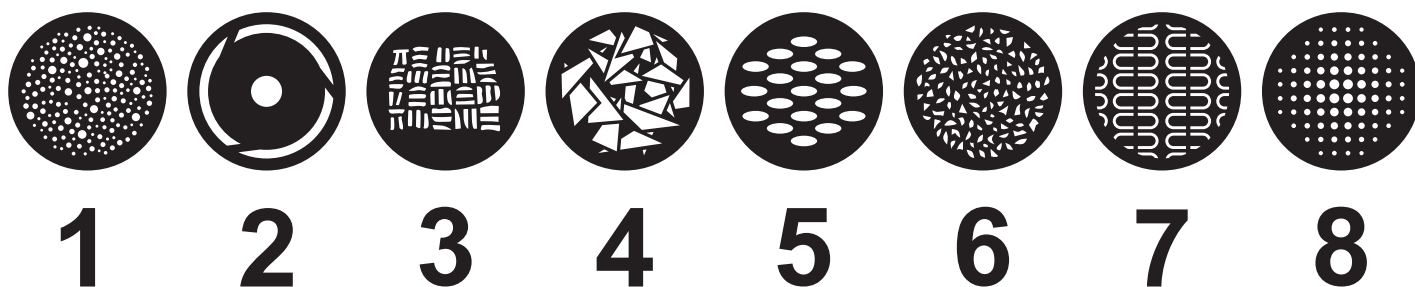
DMX-Werte

Gobos

Gobo - Rotierender-Goborad



Gobo2 - Statischer-Goborad



16CH

| Kanal | Funktion | Wert | Prozent/Einstellung |
|-----------|--|-----------|--|
| 1 | Schwenkung | 000 ⇔ 255 | 0 bis 540° |
| 2 | Schwenkung fein | 000 ⇔ 255 | Feinkontrolle der Schwenkung |
| 3 | Neigung | 000 ⇔ 255 | 0 bis 270° |
| 4 | Neigung fein | 000 ⇔ 255 | Feinkontrolle der Neigung |
| 5 | Geschwindigkeit | 000 ⇔ 255 | Geschwindigkeit der Schwenkungs- und Neigungsbewegung, schnell bis langsam |
| 6 | Farbrad | 000 ⇔ 007 | Weiß |
| | | 008 ⇔ 015 | Orange |
| | | 016 ⇔ 023 | Neongrün |
| | | 024 ⇔ 031 | Cyan |
| | | 032 ⇔ 039 | Rot |
| | | 040 ⇔ 047 | Grün |
| | | 048 ⇔ 055 | Magenta |
| | | 056 ⇔ 063 | Gelb |
| | | 064 | Weiß |
| | | 065 ⇔ 189 | Farbindizierung |
| | | 190 ⇔ 221 | Regenbogenfarben kreiseln, schnell bis langsam |
| | | 222 ⇔ 223 | Anhalten |
| | | 224 ⇔ 255 | Regenbogenfarben kreiseln umgekehrt, langsam bis schnell |
| 7 | Rotierender-Goborad (Gobo) (siehe Gobos) | 000 ⇔ 007 | Offen |
| | | 008 ⇔ 015 | Gobo 1 |
| | | 016 ⇔ 023 | Gobo 2 |
| | | 024 ⇔ 031 | Gobo 3 |
| | | 032 ⇔ 039 | Gobo 4 |
| | | 040 ⇔ 047 | Gobo 5 |
| | | 048 ⇔ 055 | Gobo 6 |
| | | 056 ⇔ 063 | Gobo 7 |
| | | 064 ⇔ 071 | Gobo 7 Shake, langsam bis schnell |
| | | 072 ⇔ 079 | Gobo 6 Shake, langsam bis schnell |
| | | 080 ⇔ 087 | Gobo 5 Shake, langsam bis schnell |
| | | 088 ⇔ 095 | Gobo 4 Shake, langsam bis schnell |
| | | 096 ⇔ 103 | Gobo 3 Shake, langsam bis schnell |
| | | 104 ⇔ 111 | Gobo 2 Shake, langsam bis schnell |
| | | 112 ⇔ 119 | Gobo 1 Shake, langsam bis schnell |
| | | 120 ⇔ 127 | Offen |
| | | 128 ⇔ 191 | Kreiseleffekt, langsam bis schnell |
| 192 ⇔ 255 | Kreiseleffekt in umgekehrter Richtung, langsam bis schnell | | |
| 8 | Gobo Rotation | 000 ⇔ 063 | Gobo-Indizierung |
| | | 064 ⇔ 147 | Rotationseffekt, langsam bis schnell |
| | | 148 ⇔ 231 | Umgekehrter Rotationseffekt, langsam bis schnell |
| | | 232 ⇔ 255 | Gobo Bounce-Effekt, kurz bis lange |

| Kanal | Funktion | Wert | Prozent/Einstellung |
|-----------|--|-----------|--|
| 9 | Statischer-Goborad (Gobo2) (siehe Gobos) | 000 ⇔ 006 | Offen |
| | | 007 ⇔ 013 | Gobo 1 |
| | | 014 ⇔ 020 | Gobo 2 |
| | | 021 ⇔ 027 | Gobo 3 |
| | | 028 ⇔ 034 | Gobo 4 |
| | | 035 ⇔ 041 | Gobo 5 |
| | | 042 ⇔ 048 | Gobo 6 |
| | | 049 ⇔ 055 | Gobo 7 |
| | | 056 ⇔ 063 | Gobo 8 |
| | | 064 ⇔ 071 | Gobo 8 Shake, langsam bis schnell |
| | | 072 ⇔ 078 | Gobo 7 Shake, langsam bis schnell |
| | | 079 ⇔ 085 | Gobo 6 Shake, langsam bis schnell |
| | | 086 ⇔ 092 | Gobo 5 Shake, langsam bis schnell |
| | | 093 ⇔ 099 | Gobo 4 Shake, langsam bis schnell |
| | | 100 ⇔ 106 | Gobo 3 Shake, langsam bis schnell |
| | | 107 ⇔ 113 | Gobo 2 Shake, langsam bis schnell |
| | | 114 ⇔ 120 | Gobo 1 Shake, langsam bis schnell |
| | | 121 ⇔ 127 | Offen |
| 128 ⇔ 191 | Kreiseffekt in umgekehrter Richtung, langsam bis schnell | | |
| 192 ⇔ 255 | Kreiseffekt, langsam bis schnell | | |
| 10 | Prisma | 000 ⇔ 003 | Keine Funktion |
| | | 004 ⇔ 006 | Prisma 1 (runde) |
| | | 007 ⇔ 065 | Rotationseffekt, schnell bis langsam |
| | | 066 ⇔ 123 | Umgekehrter Rotationseffekt, langsam bis schnell |
| | | 124 ⇔ 127 | Prisma 1 (runde) |
| | | 128 ⇔ 131 | Keine Funktion |
| | | 132 ⇔ 134 | Prisma 2 (lineare) |
| | | 135 ⇔ 193 | Rotationseffekt, schnell bis langsam |
| | | 194 ⇔ 251 | Umgekehrter Rotationseffekt, langsam bis schnell |
| | | 252 ⇔ 255 | Prisma 2 (lineare) |
| 11 | Fokus | 000 ⇔ 255 | 0–100% |
| 12 | Zoom | 000 ⇔ 255 | Breit bis schmal |
| 13 | Dimmer | 000 ⇔ 255 | 0–100% |
| 14 | Shutter | 000 ⇔ 003 | Aus |
| | | 004 ⇔ 007 | Ein |
| | | 008 ⇔ 076 | Strobe-Effekt, von langsam nach schnell |
| | | 077 ⇔ 145 | Pulse-Strobe, langsam nach schnell |
| | | 146 ⇔ 215 | Zufalls-Strobe, langsam nach schnell |
| | | 216 ⇔ 255 | Ein |

| Kanal | Funktion | Wert | Prozent/Einstellung |
|-----------|----------------------------------|-----------|--|
| 15 | Steuerung | 000 ⇔ 007 | Keine Funktion |
| | | 008 ⇔ 015 | Verdunkelung bei Schwenkungs-/Neigungsbewegung |
| | | 016 ⇔ 023 | Verdunkelung bei Farbradbewegung |
| | | 024 ⇔ 031 | Verdunkelung bei Goborads-Bewegung |
| | | 032 ⇔ 039 | Verdunkelung bei Schwenkungs-/Neigungs-/Farbradbewegung |
| | | 040 ⇔ 047 | Verdunkelung bei Schwenkungs-/Neigungs-/Goborads-Bewegung |
| | | 048 ⇔ 055 | Verdunkelung bei Schwenkungs-/Neigungs-/Farbrad-/Goborads-Bewegung |
| | | 056 ⇔ 095 | Keine Funktion |
| | | 096 ⇔ 103 | Schwenkung zurücksetzen |
| | | 104 ⇔ 111 | Neigung zurücksetzen |
| | | 112 ⇔ 119 | Farbrad zurücksetzen |
| | | 120 ⇔ 127 | Goborads zurücksetzen |
| | | 128 ⇔ 135 | Keine Funktion |
| | | 136 ⇔ 143 | Prisma zurücksetzen |
| | | 144 ⇔ 151 | Keine Funktion |
| | | 152 ⇔ 159 | Alle zurücksetzen |
| 160 ⇔ 255 | Keine Funktion | | |
| 16 | Bewegung-Makros | 000 ⇔ 007 | Keine Funktion |
| | | 008 ⇔ 023 | Bewegung-Makro 1 |
| | | 024 ⇔ 039 | Bewegung-Makro 2 |
| | | 040 ⇔ 055 | Bewegung-Makro 3 |
| | | 056 ⇔ 071 | Bewegung-Makro 4 |
| | | 072 ⇔ 087 | Bewegung-Makro 5 |
| | | 088 ⇔ 103 | Bewegung-Makro 6 |
| | | 104 ⇔ 119 | Bewegung-Makro 7 |
| | | 120 ⇔ 135 | Bewegung-Makro 8 |
| | | 136 ⇔ 151 | Musikgesteuerte Bewegung-Makro 1 |
| | | 152 ⇔ 167 | Musikgesteuerte Bewegung-Makro 2 |
| | | 168 ⇔ 183 | Musikgesteuerte Bewegung-Makro 3 |
| | | 184 ⇔ 199 | Musikgesteuerte Bewegung-Makro 4 |
| | | 200 ⇔ 215 | Musikgesteuerte Bewegung-Makro 5 |
| | | 216 ⇔ 231 | Musikgesteuerte Bewegung-Makro 6 |
| | | 232 ⇔ 247 | Musikgesteuerte Bewegung-Makro 7 |
| 248 ⇔ 255 | Musikgesteuerte Bewegung-Makro 8 | | |

DE

10CH

| Kanal | Funktion | Wert | Prozent/Einstellung |
|-----------|--|-----------|---|
| 1 | Schwenkung | 000 ⇔ 255 | 0 bis 540° |
| 2 | Neigung | 000 ⇔ 255 | 0 bis 270° |
| 3 | Farbrad | 000 ⇔ 007 | Weiß |
| | | 008 ⇔ 015 | Orange |
| | | 016 ⇔ 023 | Neongrün |
| | | 024 ⇔ 031 | Cyan |
| | | 032 ⇔ 039 | Rot |
| | | 040 ⇔ 047 | Grün |
| | | 048 ⇔ 055 | Magenta |
| | | 056 ⇔ 063 | Gelb |
| | | 064 | Weiß |
| | | 065 ⇔ 189 | Farbindizierung |
| | | 190 ⇔ 221 | Regenbogenfarben kreiseln, schnell bis langsam |
| | | 222 ⇔ 223 | Anhalten |
| | | 224 ⇔ 255 | Regenbogenfarben kreiseln umgekehrt, langsam bis schnell |
| | | 4 | Rotierender-Goborad (Gobo) (siehe Gobos) |
| 008 ⇔ 015 | Gobo 1 | | |
| 016 ⇔ 023 | Gobo 2 | | |
| 024 ⇔ 031 | Gobo 3 | | |
| 032 ⇔ 039 | Gobo 4 | | |
| 040 ⇔ 047 | Gobo 5 | | |
| 048 ⇔ 055 | Gobo 6 | | |
| 056 ⇔ 063 | Gobo 7 | | |
| 064 ⇔ 071 | Gobo 7 Shake, langsam bis schnell | | |
| 072 ⇔ 079 | Gobo 6 Shake, langsam bis schnell | | |
| 080 ⇔ 087 | Gobo 5 Shake, langsam bis schnell | | |
| 088 ⇔ 095 | Gobo 4 Shake, langsam bis schnell | | |
| 096 ⇔ 103 | Gobo 3 Shake, langsam bis schnell | | |
| 104 ⇔ 111 | Gobo 2 Shake, langsam bis schnell | | |
| 112 ⇔ 119 | Gobo 1 Shake, langsam bis schnell | | |
| 120 ⇔ 127 | Offen | | |
| 128 ⇔ 191 | Kreiseffekt, langsam bis schnell | | |
| 192 ⇔ 255 | Kreiseffekt in umgekehrter Richtung, langsam bis schnell | | |
| 5 | Gobo Rotation | 000 ⇔ 063 | Gobo-Indizierung |
| | | 064 ⇔ 147 | Rotationseffekt, langsam bis schnell |
| | | 148 ⇔ 231 | Umgekehrter Rotationseffekt, langsam bis schnell |
| | | 232 ⇔ 255 | Gobo Bounce-Effekt, kurz bis lange |

| Kanal | Funktion | Wert | Prozent/Einstellung |
|------------------|--|------------------|--|
| 6 | Statischer-Goborad (Gobo2) (siehe Gobos) | 000 ⇔ 006 | Offen |
| | | 007 ⇔ 013 | Gobo 1 |
| | | 014 ⇔ 020 | Gobo 2 |
| | | 021 ⇔ 027 | Gobo 3 |
| | | 028 ⇔ 034 | Gobo 4 |
| | | 035 ⇔ 041 | Gobo 5 |
| | | 042 ⇔ 048 | Gobo 6 |
| | | 049 ⇔ 055 | Gobo 7 |
| | | 056 ⇔ 063 | Gobo 8 |
| | | 064 ⇔ 071 | Gobo 8 Shake, langsam bis schnell |
| | | 072 ⇔ 078 | Gobo 7 Shake, langsam bis schnell |
| | | 079 ⇔ 085 | Gobo 6 Shake, langsam bis schnell |
| | | 086 ⇔ 092 | Gobo 5 Shake, langsam bis schnell |
| | | 093 ⇔ 099 | Gobo 4 Shake, langsam bis schnell |
| | | 100 ⇔ 106 | Gobo 3 Shake, langsam bis schnell |
| | | 107 ⇔ 113 | Gobo 2 Shake, langsam bis schnell |
| | | 114 ⇔ 120 | Gobo 1 Shake, langsam bis schnell |
| 121 ⇔ 127 | Offen | | |
| 128 ⇔ 191 | Kreiseffekt in umgekehrter Richtung, langsam bis schnell | | |
| 192 ⇔ 255 | Kreiseffekt, langsam bis schnell | | |
| 7 | Prisma | 000 ⇔ 003 | Keine Funktion |
| | | 004 ⇔ 006 | Prisma 1 (runde) |
| | | 007 ⇔ 065 | Rotationseffekt, schnell bis langsam |
| | | 066 ⇔ 123 | Umgekehrter Rotationseffekt, langsam bis schnell |
| | | 124 ⇔ 127 | Prisma 1 (runde) |
| | | 128 ⇔ 131 | Keine Funktion |
| | | 132 ⇔ 134 | Prisma 2 (lineare) |
| | | 135 ⇔ 193 | Rotationseffekt, schnell bis langsam |
| | | 194 ⇔ 251 | Umgekehrter Rotationseffekt, langsam bis schnell |
| | | 252 ⇔ 255 | Prisma 2 (lineare) |
| 8 | Fokus | 000 ⇔ 255 | 0–100% |
| 9 | Zoom | 000 ⇔ 255 | Breit bis schmal |
| 10 | Shutter | 000 ⇔ 003 | Aus |
| | | 004 ⇔ 007 | Ein |
| | | 008 ⇔ 076 | Strobe-Effekt, von langsam nach schnell |
| | | 077 ⇔ 145 | Pulse-Strobe, langsam nach schnell |
| | | 146 ⇔ 215 | Zufalls-Strobe, langsam nach schnell |
| | | 216 ⇔ 255 | Ein |

Informazioni sulla Guida

La Guida Rapida Intimidator Spot 475Z contiene informazioni di base sul prodotto quali montaggio, opzioni menù e valori DMX. Per maggiori dettagli, scaricare il Manuale Utente dal sito www.chauvetdj.com.

Esclusione di responsabilità

Le informazioni e le specifiche contenute in questa guida possono essere modificate senza preavviso.

GARANZIA LIMITATA

PER LA REGISTRAZIONE DELLA GARANZIA ED I TERMINI E CONDIZIONI COMPLETI VISITARE IL NOSTRO SITO WEB.

Per clienti di Stati Uniti e Messico consultare: www.chauvetlighting.com/warranty-registration.

Per clienti di Regno Unito, Repubblica di Irlanda, Belgio, Paesi Bassi, Lussemburgo, Francia e Germania: www.chauvetlighting.eu/warranty-registration.

Chauvet garantisce che i propri prodotti, in condizioni di utilizzo normale, sono esenti da difetti di materiali e manodopera, per il periodo specificato e con le esclusioni e limitazioni riportate nella garanzia integrale limitata sul proprio sito Web. Tale garanzia si applica soltanto all'acquirente originario del prodotto e non può essere trasferita. Per esercitare i propri diritti secondo i termini della presente garanzia è necessario fornire prova dell'acquisto sotto forma di ricevuta o fattura originale di un distributore autorizzato che riporti chiaramente il nome del prodotto e la data di acquisto. **NON SONO PREVISTE ALTRE GARANZIE ESPRESSE O IMPLICITE.** Questa garanzia prevede diritti legali specifici. È comunque possibile avere altri diritti che variano da stato a stato e da paese a paese. Questa garanzia si applica soltanto negli Stati Uniti, Regno Unito, Repubblica di Irlanda, Belgio, Paesi Bassi, Lussemburgo, Francia, Germania e Messico. Per i termini di garanzia vigenti in altri paesi si prega di consultare il distributore locale.

Note di Sicurezza

Le Note di Sicurezza includono informazioni importanti circa il montaggio, l'uso e la manutenzione.



- Collegare questa unità **SOLTANTO** ad un circuito dotato di messa a terra e protetto.
- Prima di effettuare la pulizia o sostituire il fusibile, scollegare sempre l'unità dall'alimentazione elettrica.
- **NON** guardare la sorgente luminosa quando l'unità è in funzione.
- Assicurarsi che il cavo di alimentazione non sia piegato o danneggiato.
- Non scollegare mai questa apparecchiatura dall'alimentazione elettrica tirando il cavo.
- Per il montaggio in alto dell'unità utilizzare **SEMPRE** un cavo di sicurezza.
- **NON** collocare materiale infiammabile vicino all'unità mentre è in funzione.
- **NON** toccare l'unità durante il funzionamento perché potrebbe essere molto calda.
- La tensione della presa a muro cui si collega l'apparecchiatura deve trovarsi entro il campo specificato sull'etichetta o sul pannello posteriore.
- Questa apparecchiatura deve essere utilizzata soltanto in interni (IP20)! Per evitare il rischio di incendio o di folgorazione non esporre l'apparecchiatura alla pioggia o all'umidità.
- Montare sempre l'unità in posizione ben ventilata, ad almeno 50 cm. (20") da qualsiasi superficie.
- Assicurarsi che nessuna apertura di ventilazione dell'unità sia ostruita.
- Non collegare mai ad un dimmer o ad un reostato.
- Sostituire il fusibile con un altro dello stesso tipo e classe.
- Prendere e trasportare l'unità **SOLTANTO** dalla staffa per il montaggio sospeso o dalle maniglie.
- Massima temperatura ambiente ammessa: 40 °C (104 °F). Non utilizzare l'unità a temperature superiori.
- In caso di gravi problemi di funzionamento sospendere immediatamente l'utilizzo.
- **NON** aprire l'unità. Non contiene parti riparabili dall'utente.
- Per evitare un consumo inutile ed aumentare la durata, durante i periodi di non utilizzo disconnettere completamente il prodotto dall'alimentazione con l'interruttore o scollegando il cavo.



Contatti

Per richiedere assistenza o restituire l'apparecchiatura, al di fuori di Stati Uniti, Regno Unito, Irlanda, Benelux, Francia, Germania, o Messico contattare il distributore locale. Per informazioni sui contatti, fare riferimento a [Contact Us](#) sul retro di questo GR.

Che cosa è incluso

- Intimidator Spot 475Z
- Staffa per montaggio
- Cavo di alimentazione
- Guida Rapida

Per iniziare

Disimballare Intimidator Spot 475Z ed accertarsi di aver ricevuto tutti i componenti integri. Se l'imballo appare danneggiato, farlo immediatamente presente al trasportatore e non a Chauvet.

Alimentazione CA

Questa unità è dotata di alimentatore a commutazione automatica con tensione in ingresso di 100–240 V CA, 50/60 Hz.



Per evitarne l'eccessiva usura e migliorarne la durata nel tempo, scollegare l'unità dalla presa elettrica o disattivare l'alimentazione tramite l'apposito interruttore, se inutilizzata per lunghi periodi.

Collegamento

Per il numero massimo di unità collegabili in cascata a 120 V oppure a 240 V, fare riferimento al Manuale Utente o alla targhetta collocata sul prodotto.

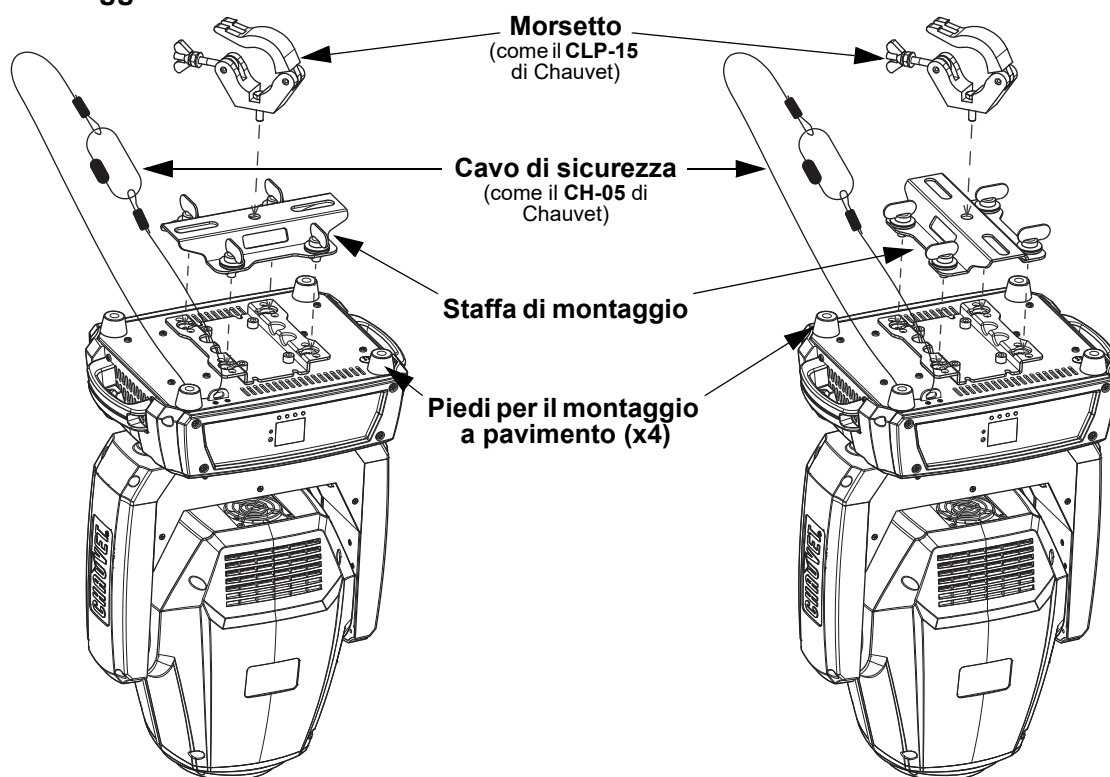
Sostituzione fusibile

1. Scollegare l'alimentazione elettrica dall'unità.
2. Utilizzando un giravite a testa piatta, allentare il portafusibile e tirarlo verso l'esterno.
3. Rimuovere il fusibile bruciato e sostituirlo con uno identico.
4. Reinscrivere il portafusibile e ricollegare l'alimentazione elettrica.

Montaggio

Prima di montare l'unità, leggere le [Note di Sicurezza](#).

Schema di montaggio



Descrizione del pannello di controllo

| Pulsante | Funzione |
|----------|---|
| <MENU> | Consente di uscire dal menù o dalla funzione corrente |
| <UP> | Consente di spostarsi verso l'alto nell'elenco menù e di aumentare il valore numerico all'interno di una funzione |
| <DOWN> | Consente di spostarsi verso il basso nell'elenco menù e di diminuire il valore numerico all'interno di una funzione |
| <ENTER> | Consente di attivare il menù visualizzato o impostare il valore selezionato nella funzione selezionata |

Mappa menu

| Livello principale | Livelli di programmazione | | Descrizione | |
|---------------------|------------------------------------|-------------------------------------|---|---|
| Address | 001–512 | | Imposta l'indirizzo DMX iniziale | |
| Run Mode | DMX | 16CH | Seleziona la modalità DMX | |
| | | 10CH | | |
| | Slave | Slave1–4 | | Seleziona la modalità Slave 1, 2, 3 o 4 |
| | | Auto | | Seleziona la modalità Automatica |
| | Sound | | Seleziona la modalità Attivazione sonora | |
| | IR | | Seleziona il controllo a infrarossi | |
| | Manual | 000–255 | Pan | Controllo manuale della rotazione |
| | | | Tilt | Controllo manuale della brandeggio |
| | | | Color | Controllo manuale della colore |
| | | | Gobo | Controllo manuale della gobo rotante |
| | | | Gobo Rotate | Controllo manuale della rotazione gobo |
| | | | Gobo2 | Controllo manuale della gobo statico |
| | | | Prism | Controllo manuale della prisma |
| | | | Focus | Controllo manuale della fuoco |
| | | | Zoom | Controllo manuale della zoom |
| Dimmer | | | Controllo manuale della dimmer | |
| Shutter | Controllo manuale della otturatore | | | |
| Setup | Pan Reverse | OFF | Funzionamento in rotazione normale | |
| | | ON | Funzionamento in rotazione inversa | |
| | Tilt Reverse | OFF | Funzionamento in brandeggio normale | |
| | | ON | Funzionamento in brandeggio inverso | |
| | Screen Reverse | OFF | Visualizzazione normale | |
| | | ON | Visualizzazione inversa | |
| | Pan Angle | 540 | Seleziona l'angolo di rotazione di 540° | |
| | | 360 | Seleziona l'angolo di rotazione di 360° | |
| | | 180 | Seleziona l'angolo di rotazione di 180° | |
| | Tilt Angle | 270 | Seleziona l'angolo di brandeggio di 270° | |
| | | 180 | Seleziona l'angolo di brandeggio di 180° | |
| | | 90 | Seleziona l'angolo di brandeggio di 90° | |
| | Totem Mode | OFF | Non limita il movimento di rotazione e brandeggio | |
| | | UP | Limita il movimento di rotazione e brandeggio nel montaggio a soffitto | |
| | | DOWN | Limita il movimento di rotazione e brandeggio nel montaggio su superficie/pavimento | |
| | Sensitivity | 001–100 | Controllo sensibilità sonora | |
| | Indicator | ON | Abilita/disabilita l'indicatore LED | |
| | | OFF | | |
| Flash if DMX | ON | Abilita/disabilita lampeggia se DMX | | |
| | OFF | | | |
| Reset | | Reimposta l'unità | | |
| Factory Set | | Carica le impostazioni standard | | |
| Sys Info | Ver: | V_ | Visualizza la versione del firmware | |
| | Running Mode | ----- | Visualizza la modalità di funzionamento corrente | |
| | DMX Address | --- | Visualizza l'indirizzo DMX corrente | |
| | Temperature | --- | Visualizza la temperatura del prodotto corrente | |

Collegamento DMX

Intimidator Spot 475Z può funzionare con un controller DMX. Le istruzioni per il collegamento e la configurazione di questa unità sono contenute nel Manuale Utente. Se non si ha familiarità con il DMX, scaricare DMX Primer all'indirizzo www.chauvetdj.com.

Indirizzo iniziale

Per assicurare il completo accesso a tutti i canali in ciascuna modalità DMX, l'indirizzo maggiormente raccomandato è **497**.

Collegamento Master/Slave

In modalità Master/Slave, Intimidator Spot 475Z utilizza il collegamento dati DMX. Le istruzioni per il collegamento e la configurazione di questa unità per il funzionamento Master/Slave sono contenute nel Manuale Utente.

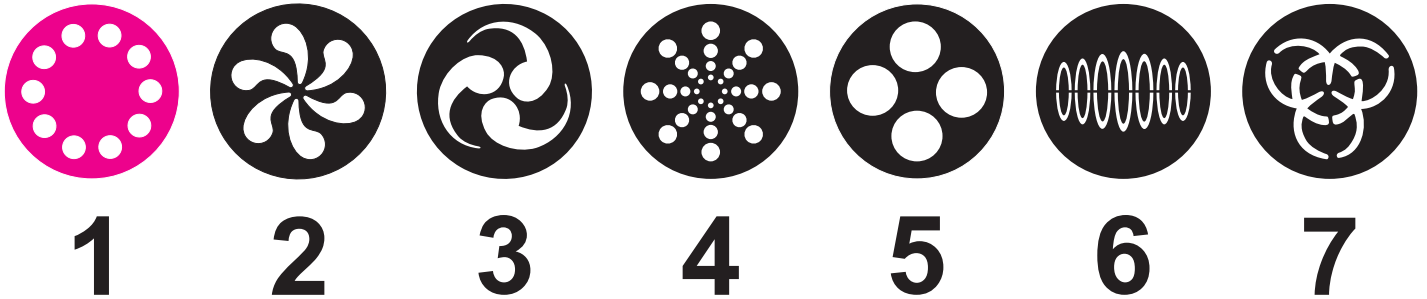
IRC-6 (Telecomando a infrarossi)

Intimidator Spot 475Z è totalmente compatibile con il Telecomando a infrarossi (IRC-6) di CHAUVET DJ. Per maggiori informazioni sul Telecomando a infrarossi, o per scaricarne le relative istruzioni, visitare il sito Web www.chauvetdj.com.

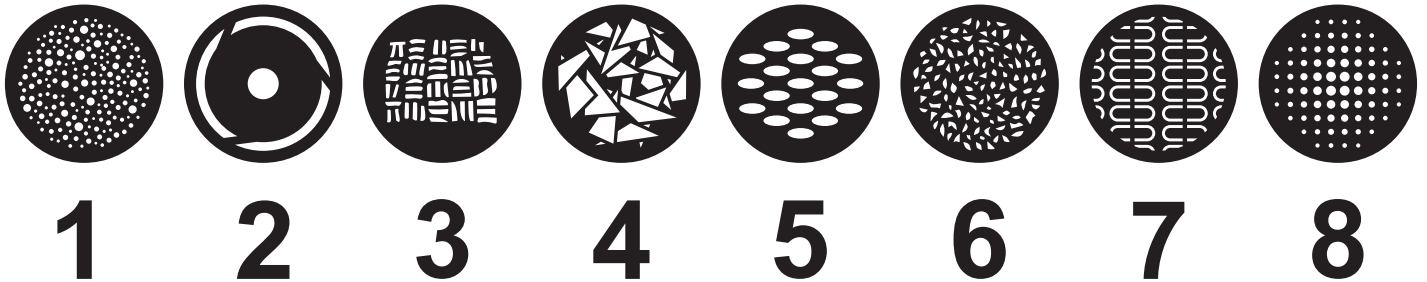
Valori DMX

Gobos

Gobo - Ruota gobo rotante



Gobo2 - Ruota gobo statico



IT

16CH

| Canale | Funzione | Valore | Percentuale/Impostazione |
|-----------|--|-----------|---|
| 1 | Rotazione | 000 ⇔ 255 | Da 0 a 540° |
| 2 | Rotazione fine | 000 ⇔ 255 | Controllo fine della rotazione |
| 3 | Brandeggio | 000 ⇔ 255 | Da 0 a 270° |
| 4 | Brandeggio fine | 000 ⇔ 255 | Controllo fine del brandeggio |
| 5 | Velocità | 000 ⇔ 255 | Velocità rotazione/brandeggio (da rapida a lenta) |
| 6 | Ruota colore | 000 ⇔ 007 | Bianco |
| | | 008 ⇔ 015 | Arancione |
| | | 016 ⇔ 023 | Verde lime |
| | | 024 ⇔ 031 | Ciano |
| | | 032 ⇔ 039 | Rosso |
| | | 040 ⇔ 047 | Verde |
| | | 048 ⇔ 055 | Magenta |
| | | 056 ⇔ 063 | Giallo |
| | | 064 | Bianco |
| | | 065 ⇔ 189 | Indicizzazione colori |
| | | 190 ⇔ 221 | Arcobaleno ciclico, da veloce a lento |
| | | 222 ⇔ 223 | Fermarsi |
| 224 ⇔ 255 | Arcobaleno ciclico inverso, da lento a veloce | | |
| 7 | Ruota gobo rotante (Gobo) (vedere Gobos) | 000 ⇔ 007 | Aperto |
| | | 008 ⇔ 015 | Gobo 1 |
| | | 016 ⇔ 023 | Gobo 2 |
| | | 024 ⇔ 031 | Gobo 3 |
| | | 032 ⇔ 039 | Gobo 4 |
| | | 040 ⇔ 047 | Gobo 5 |
| | | 048 ⇔ 055 | Gobo 6 |
| | | 056 ⇔ 063 | Gobo 7 |
| | | 064 ⇔ 071 | Oscillazione gobo 7, da lenta a veloce |
| | | 072 ⇔ 079 | Oscillazione gobo 6, da lenta a veloce |
| | | 080 ⇔ 087 | Oscillazione gobo 5, da lenta a veloce |
| | | 088 ⇔ 095 | Oscillazione gobo 4, da lenta a veloce |
| | | 096 ⇔ 103 | Oscillazione gobo 3, da lenta a veloce |
| | | 104 ⇔ 111 | Oscillazione gobo 2, da lenta a veloce |
| | | 112 ⇔ 119 | Oscillazione gobo 1, da lenta a veloce |
| 120 ⇔ 127 | Aperto | | |
| 128 ⇔ 191 | Effetto ciclico, da lenta a veloce | | |
| 192 ⇔ 255 | Effetto ciclico inverso, da lenta a veloce | | |
| 8 | Rotazione gobo | 000 ⇔ 063 | Indicizzazione gobo |
| | | 064 ⇔ 147 | Rotazione gobo, da lento a veloce |
| | | 148 ⇔ 231 | Rotazione gobo inversa, da lenta a veloce |
| | | 232 ⇔ 255 | Rimbalzo gobo, da breve a lungo |

| Canale | Funzione | Valore | Percentuale/Impostazione |
|------------------|---|------------------|---|
| 9 | Ruota gobo statico (Gobo2) (vedere Gobos) | 000 ⇄ 006 | Aperto |
| | | 007 ⇄ 013 | Gobo 1 |
| | | 014 ⇄ 020 | Gobo 2 |
| | | 021 ⇄ 027 | Gobo 3 |
| | | 028 ⇄ 034 | Gobo 4 |
| | | 035 ⇄ 041 | Gobo 5 |
| | | 042 ⇄ 048 | Gobo 6 |
| | | 049 ⇄ 055 | Gobo 7 |
| | | 056 ⇄ 063 | Gobo 8 |
| | | 064 ⇄ 071 | Gobo 8 shake, slow to fast |
| | | 072 ⇄ 078 | Oscillazione gobo 7, da lenta a veloce |
| | | 079 ⇄ 085 | Oscillazione gobo 6, da lenta a veloce |
| | | 086 ⇄ 092 | Oscillazione gobo 5, da lenta a veloce |
| | | 093 ⇄ 099 | Oscillazione gobo 4, da lenta a veloce |
| | | 100 ⇄ 106 | Oscillazione gobo 3, da lenta a veloce |
| | | 107 ⇄ 113 | Oscillazione gobo 2, da lenta a veloce |
| | | 114 ⇄ 120 | Oscillazione gobo 1, da lenta a veloce |
| | | 10 | Prisma |
| 128 ⇄ 191 | Effetto ciclico inverso, da lenta a veloce | | |
| 192 ⇄ 255 | Effetto ciclico, da lenta a veloce | | |
| 000 ⇄ 003 | Nessuna funzione | | |
| 004 ⇄ 006 | Prisma 1 (rotondo) | | |
| 007 ⇄ 065 | Rotazione, da lento a veloce | | |
| 066 ⇄ 123 | Rotazione inversa, da lenta a veloce | | |
| 124 ⇄ 127 | Prisma 1 (rotondo) | | |
| 128 ⇄ 131 | Nessuna funzione | | |
| 132 ⇄ 134 | Prisma 2 (lineare) | | |
| 11 | Fuoco | 135 ⇄ 193 | Rotazione, da lento a veloce |
| | | 194 ⇄ 251 | Rotazione inversa, da lenta a veloce |
| 12 | Zoom | 252 ⇄ 255 | Prisma 2 (lineare) |
| 13 | Dimmer | 000 ⇄ 255 | 0–100% |
| 14 | Otturatore | 000 ⇄ 255 | Largo a stretto |
| | | 000 ⇄ 003 | Spento |
| | | 004 ⇄ 007 | Acceso |
| | | 008 ⇄ 076 | Stroboscopio, da lento a veloce |
| | | 077 ⇄ 145 | Stroboscopio a impulso, da lento a veloce |
| | | 146 ⇄ 215 | Stroboscopio casuale, da lento a veloce |
| | | 216 ⇄ 255 | Acceso |

| Canale | Funzione | Valore | Percentuale/Impostazione |
|-----------|--------------------------------------|-----------|---|
| 15 | Controllo | 000 ⇔ 007 | Nessuna funzione |
| | | 008 ⇔ 015 | Oscuramento su rotazione/brandeggio |
| | | 016 ⇔ 023 | Oscuramento su movimento ruota colore |
| | | 024 ⇔ 031 | Oscuramento su movimento ruote gobo |
| | | 032 ⇔ 039 | Oscuramento su rotazione/brandeggio/movimento ruota colore |
| | | 040 ⇔ 047 | Oscuramento su rotazione/brandeggio/movimento ruote gobo |
| | | 048 ⇔ 055 | Oscuramento su rotazione/brandeggio/movimento ruota colore/ruote gobo |
| | | 056 ⇔ 095 | Nessuna funzione |
| | | 096 ⇔ 103 | Reimpostazione rotazione |
| | | 104 ⇔ 111 | Reimpostazione brandeggio |
| | | 112 ⇔ 119 | Reimpostazione ruota colore |
| | | 120 ⇔ 127 | Reimpostazione ruote gobo |
| | | 128 ⇔ 135 | Nessuna funzione |
| | | 136 ⇔ 143 | Reimpostazione prisma |
| | | 144 ⇔ 151 | Nessuna funzione |
| | | 152 ⇔ 159 | Reimpostazione di tutti |
| | | 160 ⇔ 255 | Nessuna funzione |
| | | 16 | Macro di movimento |
| 008 ⇔ 023 | Macro di movimento 1 | | |
| 024 ⇔ 039 | Macro di movimento 2 | | |
| 040 ⇔ 055 | Macro di movimento 3 | | |
| 056 ⇔ 071 | Macro di movimento 4 | | |
| 072 ⇔ 087 | Macro di movimento 5 | | |
| 088 ⇔ 103 | Macro di movimento 6 | | |
| 104 ⇔ 119 | Macro di movimento 7 | | |
| 120 ⇔ 135 | Macro di movimento 8 | | |
| 136 ⇔ 151 | Macro movimento attivazione sonora 1 | | |
| 152 ⇔ 167 | Macro movimento attivazione sonora 2 | | |
| 168 ⇔ 183 | Macro movimento attivazione sonora 3 | | |
| 184 ⇔ 199 | Macro movimento attivazione sonora 4 | | |
| 200 ⇔ 215 | Macro movimento attivazione sonora 5 | | |
| 216 ⇔ 231 | Macro movimento attivazione sonora 6 | | |
| 232 ⇔ 247 | Macro movimento attivazione sonora 7 | | |
| 248 ⇔ 255 | Macro movimento attivazione sonora 8 | | |

10CH

| Canale | Funzione | Valore | Percentuale/Impostazione |
|--------|--|-----------|---|
| 1 | Rotazione | 000 ⇔ 255 | Da 0 a 540° |
| 2 | Brandeggio | 000 ⇔ 255 | Da 0 a 270° |
| 3 | Ruota colore | 000 ⇔ 007 | Bianco |
| | | 008 ⇔ 015 | Arancione |
| | | 016 ⇔ 023 | Verde lime |
| | | 024 ⇔ 031 | Ciano |
| | | 032 ⇔ 039 | Rosso |
| | | 040 ⇔ 047 | Verde |
| | | 048 ⇔ 055 | Magenta |
| | | 056 ⇔ 063 | Giallo |
| | | 064 | Bianco |
| | | 065 ⇔ 189 | Indicizzazione colori |
| | | 190 ⇔ 221 | Arcobaleno ciclico, da veloce a lento |
| | | 222 ⇔ 223 | Fermarsi |
| | | 224 ⇔ 255 | Arcobaleno ciclico inverso, da lento a veloce |
| 4 | Ruota gobo rotante (Gobo) (vedere Gobos) | 000 ⇔ 007 | Aperto |
| | | 008 ⇔ 015 | Gobo 1 |
| | | 016 ⇔ 023 | Gobo 2 |
| | | 024 ⇔ 031 | Gobo 3 |
| | | 032 ⇔ 039 | Gobo 4 |
| | | 040 ⇔ 047 | Gobo 5 |
| | | 048 ⇔ 055 | Gobo 6 |
| | | 056 ⇔ 063 | Gobo 7 |
| | | 064 ⇔ 071 | Oscillazione gobo 7, da lenta a veloce |
| | | 072 ⇔ 079 | Oscillazione gobo 6, da lenta a veloce |
| | | 080 ⇔ 087 | Oscillazione gobo 5, da lenta a veloce |
| | | 088 ⇔ 095 | Oscillazione gobo 4, da lenta a veloce |
| | | 096 ⇔ 103 | Oscillazione gobo 3, da lenta a veloce |
| | | 104 ⇔ 111 | Oscillazione gobo 2, da lenta a veloce |
| | | 112 ⇔ 119 | Oscillazione gobo 1, da lenta a veloce |
| | | 120 ⇔ 127 | Aperto |
| | | 128 ⇔ 191 | Effetto ciclico, da lenta a veloce |
| | | 192 ⇔ 255 | Effetto ciclico inverso, da lenta a veloce |
| 5 | Rotazione gobo | 000 ⇔ 063 | Indicizzazione gobo |
| | | 064 ⇔ 147 | Rotazione gobo, da lento a veloce |
| | | 148 ⇔ 231 | Rotazione gobo inversa, da lenta a veloce |
| | | 232 ⇔ 255 | Rimbalzo gobo, da breve a lungo |

| Canale | Funzione | Valore | Percentuale/Impostazione |
|-----------|--|-----------|--|
| 6 | Ruota gobo statico (Gobo2) (vedere Gobos) | 000 ⇔ 006 | Aperto |
| | | 007 ⇔ 013 | Gobo 1 |
| | | 014 ⇔ 020 | Gobo 2 |
| | | 021 ⇔ 027 | Gobo 3 |
| | | 028 ⇔ 034 | Gobo 4 |
| | | 035 ⇔ 041 | Gobo 5 |
| | | 042 ⇔ 048 | Gobo 6 |
| | | 049 ⇔ 055 | Gobo 7 |
| | | 056 ⇔ 063 | Gobo 8 |
| | | 064 ⇔ 071 | Gobo 8 shake, slow to fast |
| | | 072 ⇔ 078 | Oscillazione gobo 7, da lenta a veloce |
| | | 079 ⇔ 085 | Oscillazione gobo 6, da lenta a veloce |
| | | 086 ⇔ 092 | Oscillazione gobo 5, da lenta a veloce |
| | | 093 ⇔ 099 | Oscillazione gobo 4, da lenta a veloce |
| | | 100 ⇔ 106 | Oscillazione gobo 3, da lenta a veloce |
| | | 107 ⇔ 113 | Oscillazione gobo 2, da lenta a veloce |
| | | 114 ⇔ 120 | Oscillazione gobo 1, da lenta a veloce |
| | | 121 ⇔ 127 | Aperto |
| | | 128 ⇔ 191 | Effetto ciclico inverso, da lenta a veloce |
| 192 ⇔ 255 | Effetto ciclico, da lenta a veloce | | |
| 7 | Prisma | 000 ⇔ 003 | Nessuna funzione |
| | | 004 ⇔ 006 | Prisma 1 (rotondo) |
| | | 007 ⇔ 065 | Rotazione, da lento a veloce |
| | | 066 ⇔ 123 | Rotazione inversa, da lenta a veloce |
| | | 124 ⇔ 127 | Prisma 1 (rotondo) |
| | | 128 ⇔ 131 | Nessuna funzione |
| | | 132 ⇔ 134 | Prisma 2 (lineare) |
| | | 135 ⇔ 193 | Rotazione, da lento a veloce |
| | | 194 ⇔ 251 | Rotazione inversa, da lenta a veloce |
| | | 252 ⇔ 255 | Prisma 2 (lineare) |
| 8 | Fuoco | 000 ⇔ 255 | 0–100% |
| 9 | Zoom | 000 ⇔ 255 | Largo a stretto |
| 10 | Otturatore | 000 ⇔ 003 | Spento |
| | | 004 ⇔ 007 | Acceso |
| | | 008 ⇔ 076 | Stroboscopio, da lento a veloce |
| | | 077 ⇔ 145 | Stroboscopio a impulso, da lento a veloce |
| | | 146 ⇔ 215 | Stroboscopio casuale, da lento a veloce |
| | | 216 ⇔ 255 | Acceso |

Over deze handleiding

De Intimidator Spot 475Z Beknopte Handleiding (BH) bevat basisinformatie over het product, zoals montage, menu-opties en DMX-waarden. Download de gebruikershandleiding op www.chauvetdj.com voor meer informatie.

Disclaimer

De informatie en specificaties in deze BH kunnen zonder voorafgaande kennisgeving worden gewijzigd.

BEPERKTE GARANTIE

GA NAAR ONZE WEBSITE VOOR REGISTRATIE VAN DE GARANTIE EN DE VOLLEDIGE ALGEMENE VOORWAARDEN.

Voor klanten in de Verenigde Staten en Mexico: www.chauvetlighting.com/warranty-registration.

Voor klanten in het Verenigd Koninkrijk, Ierland, België, Nederland, Luxemburg, Frankrijk en Duitsland: www.chauvetlighting.eu/warranty-registration.

Chauvet garandeert dat dit product bij normaal gebruik vrij zal blijven van defecten in materiaal en vakmanschap, voor de opgegeven periode en onder voorbehoud van de uitzonderingen en beperkingen die zijn uiteengezet in de volledige beperkte garantie op onze website. Deze garantie geldt uitsluitend voor de oorspronkelijke koper van het product en is niet overdraagbaar. Om onder deze garantie rechten uit te oefenen, moet u een aankoopbewijs overleggen in de vorm van een origineel verkoopbewijs van een geautoriseerde dealer, waarop de naam van het product en de aankoopdatum zichtbaar zijn. ER ZIJN GEEN ANDERE EXPLICIETE OF IMPLICIETE GARANTIES. Deze garantie geeft u specifieke wettelijke rechten. Mogelijk heeft u ook andere rechten die van staat tot staat en van land tot land verschillen. Deze garantie is uitsluitend geldig in de Verenigde Staten, het Verenigd Koninkrijk, Ierland, België, Nederland, Luxemburg, Frankrijk, Duitsland en Mexico. Neem contact op met uw lokale verkoper voor garantievoorwaarden in andere landen.

Veiligheidsinstructies

Deze veiligheidsinstructies bevatten belangrijke informatie over de installatie, het gebruik en het onderhoud.



- Sluit dit product **UITSLUITEND** op een geaard en beveiligd stroomcircuit.
- Haal voor het vervangen van de zekering altijd de stekker van het product uit het stopcontact.
- **KIJK NIET** in de lichtbron wanneer het apparaat is ingeschakeld.
- Zorg ervoor dat het stroomsnoer niet knikt of beschadigd.
- Koppel dit product nooit los van het stopcontact door aan het snoer te trekken.
- Gebruik een veiligheidskabel wanneer het product boven lichaamshoogte wordt gemonteerd.
- **GEEN** brandbare materialen in de buurt van de unit tijdens gebruik.
- **RAAK** het product **NIET AAN** wanneer het in werking omdat het dan heet zijn.
- De spanning van het stopcontact waarop u dit product aansluit moet binnen het vermelde bereik op de sticker of achterkant van het product zijn.



- Het product is alleen voor gebruik binnenshuis! (IP20) Om risico op brand of elektrische schokken te voorkomen, mag dit product niet aan regen of vocht worden blootgesteld.
- Monteer dit product altijd op een plek met voldoende ventilatie, minstens 20 inch (50 cm) van de aangrenzende oppervlakken.
- Zorg ervoor dat er geen ventilatie-openingen van de behuizing van het product worden geblokkeerd.
- Sluit dit product nooit aan op een dimmer of een regelweerstand.
- Vervang de zekering met een van hetzelfde type en met dezelfde waarde.
- Gebruik **UITSLUITEND** de ophang-/montagebeugel of de hendels om dit product te dragen.
- De maximale omgevingstemperatuur bedraagt 40 °C. Gebruik dit product niet bij hogere temperaturen.
- Stop in het geval van ernstige operationele problemen onmiddellijk met het gebruik.
- Open het product **NIET**. Het bevat geen te onderhouden onderdelen.
- Om onnodige slijtage te elimineren en zijn levensduur te verlengen, gedurende perioden wanneer het product niet wordt gebruikt, moet u het product afsluiten door een aardlekschakelaar om te zetten of door het te ontkoppelen.

Van buiten de VS, Verenigd Koninkrijk, Ierland, Benelux, Frankrijk, Duitsland of Mexico kunt u contact opnemen met de distributeur of om ondersteuning vragen dan wel het product retourneren. Raadpleeg [Contact Us](#) aan het einde van deze BH voor contactinformatie.

Wat is inbegrepen

- Intimidator Spot 475Z
- Hangbeugel
- Stroomsnoer
- Beknopte handleiding

Om te beginnen

Pak uw Intimidator Spot 475Z uit en zorg ervoor dat u alle onderdelen in goede staat hebt ontvangen. Als de doos of inhoud beschadigd lijkt, stel dan de vervoerder onmiddellijk op de hoogte, niet Chauvet.

AC-stroom

Dit product heeft een voeding met automatisch bereik die werkt met een ingangsspanning van 100–240 VAC, 50/60 Hz.



Om onnodige slijtage te elimineren en zijn levensduur te verlengen, gedurende perioden wanneer het product niet wordt gebruikt, moet u het product afsluiten door een aardlekschakelaar om te zetten of door het te ontkoppelen.

Power Linking

Voor het maximale aantal Intimidator Spot 475Z-producten die via power link kunnen worden gekoppeld bij elke spanning, ziet u de gebruikershandleiding of de sticker op het product.

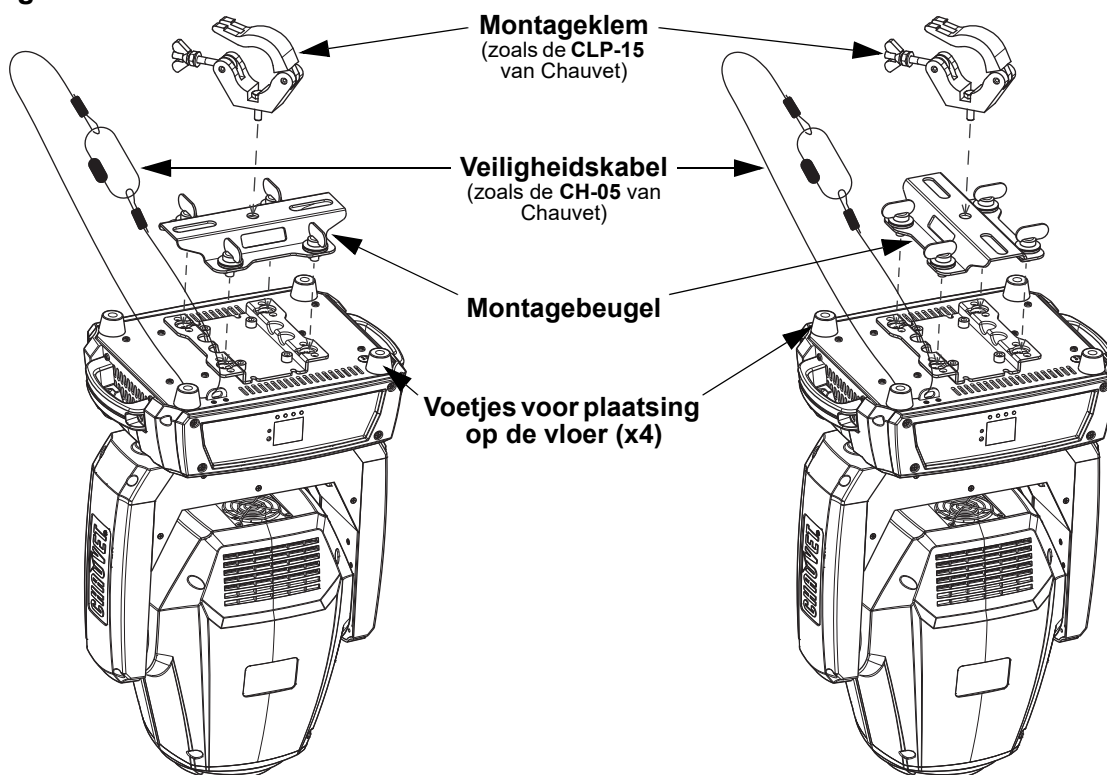
Vervangen van de zekering

1. Ontkoppel het apparaat van de stroom.
2. Gebruik een schroevendraaier met platte kop, maak de zekeringhouder los en trek hem er recht uit.
3. Verwijder de doorgebrande zekering uit de houder en vervang deze door een zekering van exact hetzelfde type en vermogen.
4. Plaats de zekeringhouder terug en steek de stekker er weer in.

Montage

Lees alvorens dit product te monteren alle [Veiligheidsinstructies](#).

Montagediagram



Beschrijving bedieningspaneel

| Toets | Functie |
|---------|--|
| <MENU> | Sluit het huidige menu of functie af |
| <UP> | Navigeert omhoog via het menu of verhoogt de numerieke waarde wanneer in een functie |
| <DOWN> | Navigeert omlaag via het menu of verlaagt de numerieke waarde wanneer in een functie |
| <ENTER> | Activeert het huidige getoonde menu of plaatst de huidige geselecteerde waarde in de geselecteerde functie |

Menukaart

| Hoofdniveau | Programmeerniveaus | | Beschrijving | |
|--------------------|-------------------------------|-------------------------------|--|-------------------------------------|
| Address | 001–512 | | Selecteert de DMX-startadres in | |
| Run Mode | DMX | 16CH | Selecteert de DMX-modus | |
| | | 10CH | | |
| | Slave | Slave1–4 | Selecteert de Slave-modus 1, 2, 3 of 4 | |
| | Auto | | Selecteert de automatische modus | |
| | Sound | | Selecteert geluidsactieve modus | |
| | IR | | Selecteert infrarode bediening | |
| | Manual | Pan | 000–255 | Handmatige zwenk-bediening |
| | | Tilt | | Handmatige kantel-bediening |
| | | Color | | Handmatige kleur-bediening |
| | | Gobo | | Handmatige roterende gobo-bediening |
| | | Gobo Rotate | | Handmatige gobo rotatie-bediening |
| | | Gobo2 | | Handmatige statische gobo-bediening |
| | | Prism | | Handmatige prisma-bediening |
| | | Focus | | Handmatige focus-bediening |
| | | Zoom | | Handmatige zoom-bediening |
| Dimmer | | Handmatige dimmer-bediening | | |
| Shutter | Handmatige sluiters-bediening | | | |
| Setup | Pan Reverse | | OFF Normale zwenkbediening | |
| | | | ON Omgekeerde zwenkbediening | |
| | Tilt Reverse | | OFF Normale kantelbediening | |
| | | | ON Omgekeerde kantelbediening | |
| | Screen Reverse | | OFF Normale weergave | |
| | | | ON Omgekeerde weergave | |
| | Pan Angle | | 540 Selecteert het 540° zwenkhoekbereik | |
| | | | 360 Selecteert het 360° zwenkhoekbereik | |
| | | | 180 Selecteert het 180° zwenkhoekbereik | |
| | Tilt Angle | | 270 Selecteert het 270° kantelhoekbereik | |
| | | | 180 Selecteert het 180° kantelhoekbereik | |
| | | | 90 Selecteert het 90° kantelhoekbereik | |
| | Totem Mode | | OFF Beperkt de zwenk- en kantelbeweging niet | |
| | | | UP Beperkt de zwenk- en kantelbeweging voor montage boven het hoofd | |
| | | | DOWN Beperkt de zwenk- en kantelbeweging voor montage op een oppervlak/de vloer | |
| | Sensitivity | | 001–100 Bediening van de geluidsgevoeligheid | |
| | Indicator | | ON Schakelt de LED-indicator in/uit | |
| | | | OFF | |
| | Flash if DMX | | ON Schakelt “knippert wanneer DMX” in/uit | |
| | | | OFF | |
| Reset | | Herstelt het product | | |
| Factory Set | | Laadt de fabrieksinstellingen | | |
| Sys Info | Ver: | V_ | Toont de firmwareversie | |
| | Running Mode | ----- | Toont de huidige bedrijfsmodus | |
| | DMX Address | --- | Toont het huidige DMX-adres | |
| | Temperature | --- | Toont de huidige producttemperatuur | |

DMX-koppeling

De Intimidator Spot 475Z kan met een DMX-regelaar werken. Instructies voor het aansluiten en configureren van dit product voor DMX-bediening staan in de gebruikershandleiding. Als u niet bekend bent met DMX, download dan de DMX-primer op www.chauvetdj.com.

Startadres

Om volledige toegang tot alle kanalen in elke DMX-modus te garanderen is het hoogste aanbevolen DMX-adres voor dit product **497**.

Master/slave-verbinding

De Intimidator Spot 475Z maakt gebruik van de DMX-gegevensverbinding voor haar Master-/Slave-modus. Instructies voor het aansluiten en configureren van dit product voor DMX-bediening staan in de gebruikershandleiding.

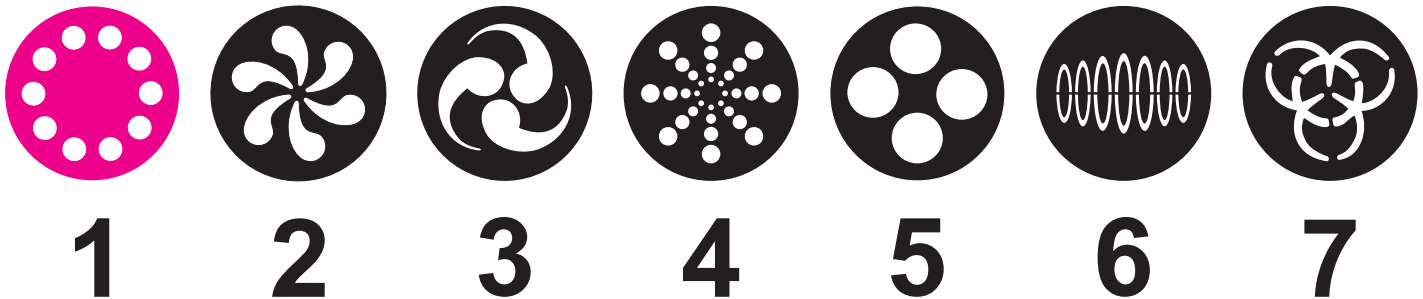
IRC-6 Infrarood Remote Control

De Intimidator Spot 475Z is compatibel met de IRC-6 infrarood afstandsbediening van CHAUVET DJ Ga voor meer informatie over de IRC-6 of downloadinstructies naar www.chauvetdj.com.

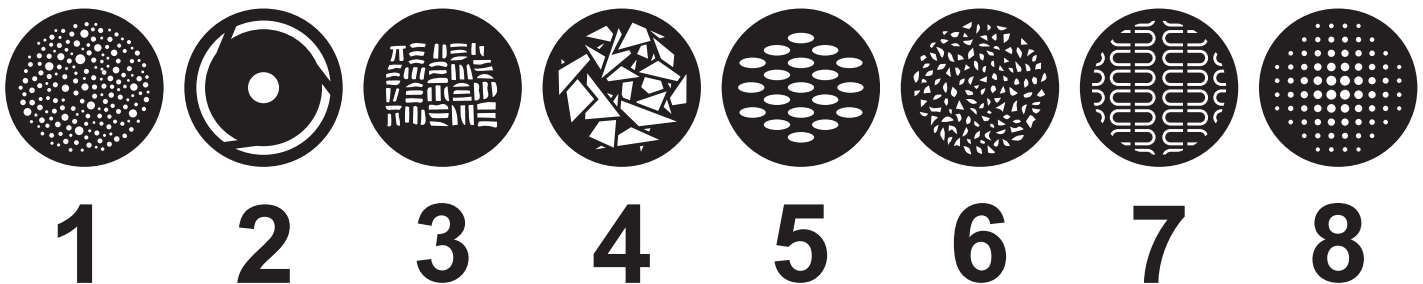
DMX-waarden

Gobos

Gobo - Roterende gobowiel



Gobo2 - Statische gobowiel



16CH

| Kanaal | Functie | Waarde | Percentage/Instelling |
|-----------|--|-----------|--|
| 1 | Zwenken | 000 ⇔ 255 | 0 tot 540° |
| 2 | Fijn zwenken | 000 ⇔ 255 | Fijne bediening van zwenken |
| 3 | Kantelen | 000 ⇔ 255 | 0 tot 270° |
| 4 | Fijn kantelen | 000 ⇔ 255 | Fijne bediening van kantelen |
| 5 | Snelheid | 000 ⇔ 255 | Zwenk-/kantelsnelheid (snel tot langzaam) |
| 6 | Kleurenwiel | 000 ⇔ 007 | Wit |
| | | 008 ⇔ 015 | Oranje |
| | | 016 ⇔ 023 | Limoengroen |
| | | 024 ⇔ 031 | Cyaan |
| | | 032 ⇔ 039 | Rood |
| | | 040 ⇔ 047 | Groen |
| | | 048 ⇔ 055 | Magenta |
| | | 056 ⇔ 063 | Geel |
| | | 064 | Wit |
| | | 065 ⇔ 189 | Kleur indexeren |
| | | 190 ⇔ 221 | Kleur-cyclus regenboog, snel naar langzaam |
| | | 222 ⇔ 223 | Stop |
| 224 ⇔ 255 | Kleur-cyclus regenboog omkeren, langzaam naar snel | | |
| 7 | Roterende gobowiel (Gobo) (zie Gobos) | 000 ⇔ 007 | Open |
| | | 008 ⇔ 015 | Gobo 1 |
| | | 016 ⇔ 023 | Gobo 2 |
| | | 024 ⇔ 031 | Gobo 3 |
| | | 032 ⇔ 039 | Gobo 4 |
| | | 040 ⇔ 047 | Gobo 5 |
| | | 048 ⇔ 055 | Gobo 6 |
| | | 056 ⇔ 063 | Gobo 7 |
| | | 064 ⇔ 071 | Gobo 7 schudden, langzaam tot snel |
| | | 072 ⇔ 079 | Gobo 6 schudden, langzaam tot snel |
| | | 080 ⇔ 087 | Gobo 5 schudden, langzaam tot snel |
| | | 088 ⇔ 095 | Gobo 4 schudden, langzaam tot snel |
| | | 096 ⇔ 103 | Gobo 3 schudden, langzaam tot snel |
| | | 104 ⇔ 111 | Gobo 2 schudden, langzaam tot snel |
| | | 112 ⇔ 119 | Gobo 1 schudden, langzaam tot snel |
| | | 120 ⇔ 127 | Open |
| 128 ⇔ 191 | Cyclus-effect, langzaam tot snel | | |
| 192 ⇔ 255 | Cyclus-effect omkeren, langzaam tot snel | | |
| 8 | Gobo rotatie | 000 ⇔ 063 | Gobo indexeren |
| | | 064 ⇔ 147 | Gobo rotatie, langzaam tot snel |
| | | 148 ⇔ 231 | Gobo rotatie omkeren, langzaam tot snel |
| | | 232 ⇔ 255 | Gobo springen, kort tot lang |

| Kanaal | Functie | Waarde | Percentage/Instelling |
|-----------|---|-----------|--|
| 9 | Statische gobowiel (Gobo2) (zie Gobos) | 000 ⇔ 006 | Open |
| | | 007 ⇔ 013 | Gobo 1 |
| | | 014 ⇔ 020 | Gobo 2 |
| | | 021 ⇔ 027 | Gobo 3 |
| | | 028 ⇔ 034 | Gobo 4 |
| | | 035 ⇔ 041 | Gobo 5 |
| | | 042 ⇔ 048 | Gobo 6 |
| | | 049 ⇔ 055 | Gobo 7 |
| | | 056 ⇔ 063 | Gobo 8 |
| | | 064 ⇔ 071 | Gobo 8 schudden, langzaam tot snel |
| | | 072 ⇔ 078 | Gobo 7 schudden, langzaam tot snel |
| | | 079 ⇔ 085 | Gobo 6 schudden, langzaam tot snel |
| | | 086 ⇔ 092 | Gobo 5 schudden, langzaam tot snel |
| | | 093 ⇔ 099 | Gobo 4 schudden, langzaam tot snel |
| | | 100 ⇔ 106 | Gobo 3 schudden, langzaam tot snel |
| | | 107 ⇔ 113 | Gobo 2 schudden, langzaam tot snel |
| | | 114 ⇔ 120 | Gobo 1 schudden, langzaam tot snel |
| | | 121 ⇔ 127 | Open |
| | | 128 ⇔ 191 | Cyclus-effect omkeren, langzaam tot snel |
| 192 ⇔ 255 | Cyclus-effect, langzaam tot snel | | |
| 10 | Prisma | 000 ⇔ 003 | Geen functie |
| | | 004 ⇔ 006 | Prisma 1 (rond) |
| | | 007 ⇔ 065 | Rotatie, langzaam tot snel |
| | | 066 ⇔ 123 | Rotatie omkeren, langzaam tot snel |
| | | 124 ⇔ 127 | Prisma 1 (rond) |
| | | 128 ⇔ 131 | Geen functie |
| | | 132 ⇔ 134 | Prisma 2 (lineair) |
| | | 135 ⇔ 193 | Rotatie, langzaam tot snel |
| | | 194 ⇔ 251 | Rotatie omkeren, langzaam tot snel |
| | | 252 ⇔ 255 | Prisma 2 (lineair) |
| 11 | Focus | 000 ⇔ 255 | 0–100% |
| 12 | Zoom | 000 ⇔ 255 | Breed tot smal |
| 13 | Dimmer | 000 ⇔ 255 | 0–100% |
| 14 | Sluiter | 000 ⇔ 003 | Uit |
| | | 004 ⇔ 007 | Aan |
| | | 008 ⇔ 076 | Flitsen, langzaam naar snel |
| | | 077 ⇔ 145 | Impulse flitsen, langzaam naar snel |
| | | 146 ⇔ 215 | Willekeurig flitsen, langzaam naar snel |
| | | 216 ⇔ 255 | Aan |

| Kanaal | Functie | Waarde | Percentage/Instelling |
|--------|------------------|-----------|---|
| 15 | Bediening | 000 ⇔ 007 | Geen functie |
| | | 008 ⇔ 015 | Verduistering bij zwenk-/kantelbeweging |
| | | 016 ⇔ 023 | Verduistering bij kleurenwielbeweging |
| | | 024 ⇔ 031 | Verduistering bij gobowiel's-beweging |
| | | 032 ⇔ 039 | Verduistering bij zwenk-/kantel-/kleurenwielbeweging |
| | | 040 ⇔ 047 | Verduistering bij zwenk-/kantel-/gobowiel's-beweging |
| | | 048 ⇔ 055 | Verduistering bij zwenk-/kantel-/kleurenwiel-/gobowiel's-beweging |
| | | 056 ⇔ 095 | Geen functie |
| | | 096 ⇔ 103 | Zwenken herstellen |
| | | 104 ⇔ 111 | Kantelen herstellen |
| | | 112 ⇔ 119 | Kleurenwiel herstellen |
| | | 120 ⇔ 127 | Gobowiel's herstellen |
| | | 128 ⇔ 135 | Geen functie |
| | | 136 ⇔ 143 | Prisma herstellen |
| | | 144 ⇔ 151 | Geen functie |
| | | 152 ⇔ 159 | Alle herstellen |
| | | 160 ⇔ 255 | Geen functie |
| 16 | Bewegingsmacro's | 000 ⇔ 007 | Geen functie |
| | | 008 ⇔ 023 | Bewegingsmacro 1 |
| | | 024 ⇔ 039 | Bewegingsmacro 2 |
| | | 040 ⇔ 055 | Bewegingsmacro 3 |
| | | 056 ⇔ 071 | Bewegingsmacro 4 |
| | | 072 ⇔ 087 | Bewegingsmacro 5 |
| | | 088 ⇔ 103 | Bewegingsmacro 6 |
| | | 104 ⇔ 119 | Bewegingsmacro 7 |
| | | 120 ⇔ 135 | Bewegingsmacro 8 |
| | | 136 ⇔ 151 | Geluidsactieve bewegingsmacro 1 |
| | | 152 ⇔ 167 | Geluidsactieve bewegingsmacro 2 |
| | | 168 ⇔ 183 | Geluidsactieve bewegingsmacro 3 |
| | | 184 ⇔ 199 | Geluidsactieve bewegingsmacro 4 |
| | | 200 ⇔ 215 | Geluidsactieve bewegingsmacro 5 |
| | | 216 ⇔ 231 | Geluidsactieve bewegingsmacro 6 |
| | | 232 ⇔ 247 | Geluidsactieve bewegingsmacro 7 |
| | | 248 ⇔ 255 | Geluidsactieve bewegingsmacro 8 |

NL

10CH

| Kanaal | Functie | Waarde | Percentage/Instelling |
|-----------|--|-----------|--|
| 1 | Zwenken | 000 ⇔ 255 | 0 tot 540° |
| 2 | Kantelen | 000 ⇔ 255 | 0 tot 270° |
| 3 | Kleurenwiel | 000 ⇔ 007 | Wit |
| | | 008 ⇔ 015 | Oranje |
| | | 016 ⇔ 023 | Limoengroen |
| | | 024 ⇔ 031 | Cyaan |
| | | 032 ⇔ 039 | Rood |
| | | 040 ⇔ 047 | Groen |
| | | 048 ⇔ 055 | Magenta |
| | | 056 ⇔ 063 | Geel |
| | | 064 | Wit |
| | | 065 ⇔ 189 | Kleur indexeren |
| | | 190 ⇔ 221 | Kleur-cyclus regenboog, snel naar langzaam |
| | | 222 ⇔ 223 | Stop |
| | | 224 ⇔ 255 | Kleur-cyclus regenboog omkeren, langzaam naar snel |
| | | 4 | Roterende gobowiel (Gobo) (zie Gobos) |
| 008 ⇔ 015 | Gobo 1 | | |
| 016 ⇔ 023 | Gobo 2 | | |
| 024 ⇔ 031 | Gobo 3 | | |
| 032 ⇔ 039 | Gobo 4 | | |
| 040 ⇔ 047 | Gobo 5 | | |
| 048 ⇔ 055 | Gobo 6 | | |
| 056 ⇔ 063 | Gobo 7 | | |
| 064 ⇔ 071 | Gobo 7 schudden, langzaam tot snel | | |
| 072 ⇔ 079 | Gobo 6 schudden, langzaam tot snel | | |
| 080 ⇔ 087 | Gobo 5 schudden, langzaam tot snel | | |
| 088 ⇔ 095 | Gobo 4 schudden, langzaam tot snel | | |
| 096 ⇔ 103 | Gobo 3 schudden, langzaam tot snel | | |
| 104 ⇔ 111 | Gobo 2 schudden, langzaam tot snel | | |
| 112 ⇔ 119 | Gobo 1 schudden, langzaam tot snel | | |
| 120 ⇔ 127 | Open | | |
| 128 ⇔ 191 | Cyclus-effect, langzaam tot snel | | |
| 192 ⇔ 255 | Cyclus-effect omkeren, langzaam tot snel | | |
| 5 | Gobo rotatie | 000 ⇔ 063 | Gobo indexeren |
| | | 064 ⇔ 147 | Gobo rotatie, langzaam tot snel |
| | | 148 ⇔ 231 | Gobo rotatie omkeren, langzaam tot snel |
| | | 232 ⇔ 255 | Gobo springen, kort tot lang |

| Kanaal | Functie | Waarde | Percentage/Instelling |
|------------------|--|------------------|---|
| 6 | Statische gobowiel (Gobo2) (zie Gobos) | 000 ⇔ 006 | Open |
| | | 007 ⇔ 013 | Gobo 1 |
| | | 014 ⇔ 020 | Gobo 2 |
| | | 021 ⇔ 027 | Gobo 3 |
| | | 028 ⇔ 034 | Gobo 4 |
| | | 035 ⇔ 041 | Gobo 5 |
| | | 042 ⇔ 048 | Gobo 6 |
| | | 049 ⇔ 055 | Gobo 7 |
| | | 056 ⇔ 063 | Gobo 8 |
| | | 064 ⇔ 071 | Gobo 8 schudden, langzaam tot snel |
| | | 072 ⇔ 078 | Gobo 7 schudden, langzaam tot snel |
| | | 079 ⇔ 085 | Gobo 6 schudden, langzaam tot snel |
| | | 086 ⇔ 092 | Gobo 5 schudden, langzaam tot snel |
| | | 093 ⇔ 099 | Gobo 4 schudden, langzaam tot snel |
| | | 100 ⇔ 106 | Gobo 3 schudden, langzaam tot snel |
| | | 107 ⇔ 113 | Gobo 2 schudden, langzaam tot snel |
| | | 114 ⇔ 120 | Gobo 1 schudden, langzaam tot snel |
| | | 121 ⇔ 127 | Open |
| 128 ⇔ 191 | Cyclus-effect omkeren, langzaam tot snel | | |
| 192 ⇔ 255 | Cyclus-effect, langzaam tot snel | | |
| 7 | Prisma | 000 ⇔ 003 | Geen functie |
| | | 004 ⇔ 006 | Prisma 1 (rond) |
| | | 007 ⇔ 065 | Rotatie, langzaam tot snel |
| | | 066 ⇔ 123 | Rotatie omkeren, langzaam tot snel |
| | | 124 ⇔ 127 | Prisma 1 (rond) |
| | | 128 ⇔ 131 | Geen functie |
| | | 132 ⇔ 134 | Prisma 2 (lineair) |
| | | 135 ⇔ 193 | Rotatie, langzaam tot snel |
| | | 194 ⇔ 251 | Rotatie omkeren, langzaam tot snel |
| | | 252 ⇔ 255 | Prisma 2 (lineair) |
| 8 | Focus | 000 ⇔ 255 | 0–100% |
| 9 | Zoom | 000 ⇔ 255 | Breed tot smal |
| 10 | Sluiter | 000 ⇔ 003 | Uit |
| | | 004 ⇔ 007 | Aan |
| | | 008 ⇔ 076 | Flitsen, langzaam naar snel |
| | | 077 ⇔ 145 | Impulse flitsen, langzaam naar snel |
| | | 146 ⇔ 215 | Willekeurig flitsen, langzaam naar snel |
| | | 216 ⇔ 255 | Aan |

Contact Us

| General Information | Technical Support |
|--|--|
| Chauvet World Headquarters | |
| Address: 5200 NW 108th Ave. Sunrise, FL 33351 Voice: (954) 577-4455 Fax: (954) 929-5560 Toll Free: (800) 762-1084 | Voice: (844) 393-7575 Fax: (954) 756-8015 Email: chauvetcs@chauvetlighting.com Website: www.chauvetdj.com |
| Chauvet Europe Ltd | |
| Address: Unit 1C Brookhill Road Industrial Estate Pinxton, Nottingham, UK NG16 6NT Voice: +44 (0) 1773 511115 Fax: +44 (0) 1773 511110 | Email: UKtech@chauvetlighting.eu Website: www.chauvetdj.eu |
| Chauvet Europe BVBA | |
| Address: Stokstraat 18 9770 Kruishoutem Belgium Voice: +32 9 388 93 97 | Email: BNLtech@chauvetlighting.eu Website: www.chauvetdj.eu |
| Chauvet France | |
| Address: 3, Rue Ampère 91380 Chilly-Mazarin France Voice: +33 1 78 85 33 59 | Email: FRtech@chauvetlighting.fr Website: www.chauvetdj.eu |
| Chauvet Germany | |
| Address: Bruno-Bürgel-Str. 11 28759 Bremen Germany Voice: +49 421 62 60 20 | Email: DEtech@chauvetlighting.de Website: www.chauvetdj.eu |
| Chauvet Mexico | |
| Address: Av. de las Partidas 34 - 3B (Entrance by Calle 2) Zona Industrial Lerma Lerma, Edo. de México, CP 52000 Voice: +52 (728) 690-2010 | Email: servicio@chauvet.com.mx Website: www.chauvetdj.mx |

Visit the applicable website above to verify our contact information and instructions to request support. Outside the US, UK, Ireland, France, Germany, Benelux or Mexico, contact the dealer of record.

Intimidator Spot 475Z QRG Rev. 2 ML6
 © Copyright 2019 Chauvet
 All rights reserved
 Printed in the P.R.C.



UL 1573
 CSA C22.2 No. 166
 E113093



RoHS

