

Tensioned Advantage® Electrol®

Automatic Electric Projection Screen Model



SPECIFICATION DATA

SUGGESTED SPECIFICATIONS: _____ projection screen(s), _____(H) x _____(W), electrically operated 120 volt (60 Hz) not more than 2.4 amp. with a quick connect male plug-in connector on the motor. Shall have specially designed motor mounted inside the roller, to be three wire with ground, quick reversal type, oiled for life, with automatic thermal overload cutout, integral gears, capacitor and an electric brake to prevent coasting. To have preset but adjustable limit switches to automatically stop picture surface in the "up" and "down" positions. Junction box shall be externally integrated into the housing making it possible to install the housing and wire to the building's electrical system during construction. The junction box shall contain a quick connect connector that is mounted in the housing for easy plug-in connection to the motorized fabric and roller assembly. The motorized fabric and roller assembly to be installed in the case at the factory or at a later time at the job site. The fabric roller to be of rigid steel. Screen to be designed for left or right-hand motor installation. Screen fabric to be seamless and mildew

resistant with black masking borders standard. Each side of the fabric to have tab guide cable system to maintain even lateral tension and hold surface flat. Custom slat bar with added weight maintains vertical tension on the screen surface. The ends of the slat to be protected by heavy duty plastic caps enclosing a preset adjustable mechanism for screen tensioning. Top, front and back of case to be made of extruded aluminum powder coated white. End caps to be of heavy gauge steel powder coated white. Bottom of case to have a removable access door. Door to be of extruded aluminum powder coated white. Bottom of case to be self-trimming, with a built-in flange around the bottom of the case. To be complete with integrated low voltage control unit and three position control switch and cover plate. Suitable for use in environmental air space in accordance with section 300-22 (c) of the National Electric Code, and sections 2-128, 12-010 (3) and 12-100 of the Canadian Electrical Code, part 1, CSA C22.1. Screen to be listed by Underwriters' Laboratories.



HDTV (16:9) Format Dimensions

Viewing Area (H x W)		Nominal Diagonal		Overall Length of Case* For Vinyl Surfaces**		Overall Length of Case* For Parallax Surface		Approx. Ship. Wt.	
In.	Cm	In.	Cm	In.	Cm	In.	Cm	Lbs.	Kg
45" x 80"	114 x 203	92"	234	96"	244	95"	241	92	41.7
52" x 92"	132 x 234	106"	269	108½"	276	107½"	273	99	44.9
54" x 96"	137 x 244	110"	279	113"	287	112"	284	104	47.2
58" x 104"	147 x 264	119"	302	121½"	309	120½"	306	114	51.7
65" x 116"	165 x 295	133"	338	134½"	342	-	-	135	61.2
78" x 139"	198 x 353	159"	404	159½"	405	-	-	148	67.1
90" x 160"	229 x 406	184"	467	177½"	450	-	-	169	76.8

Wide (16:10) Format Dimensions

Viewing Area (H x W)		Nominal Diagonal		Overall Length of Case* For Vinyl Surfaces**		Overall Length of Case* For Parallax Surface		Approx. Ship. Wt.	
In.	Cm	In.	Cm	In.	Cm	In.	Cm	Lbs.	Kg
50" x 80"	127 x 203	94"	239	96½"	245	95½"	243	92	41.7
57½" x 92"	146 x 234	109"	277	109½"	278	108"	274	111	50.3
60" x 96"	152 x 244	113"	287	114"	290	-	-	104	47.2
65" x 104"	165 x 264	123"	312	122½"	311	-	-	114	51.7
69" x 110"	175 x 279	130"	330	129"	328	-	-	125	56.7
72½" x 116"	184 x 295	137"	348	135½"	344	-	-	135	61.2
87" x 139"	221 x 353	164"	417	156½"	398	-	-	148	67.1
100" x 160"	254 x 406	189"	480	178½"	453	-	-	169	76.8

Video (NTSC 4:3) Format Dimensions

Viewing Area (H x W)		Nominal Diagonal		Overall Length of Case* For Vinyl Surfaces**		Approx. Ship. Wt.	
In.	Cm	In.	Cm	In.	Cm	Lbs.	Kg
43" x 57"	109 x 145	72"	183	72½"	184	77	34.9
50" x 67"	127 x 170	84"	213	83½"	212	86	39.0
60" x 80"	152 x 203	100"	254	97½"	248	98	44.5
69" x 92"	175 x 234	120"	305	111½"	283	111	50.3
87" x 116"	221 x 295	150"	381	138½"	352	135	61.2
108" x 144"	274 x 366	180"	457	163½"	415	151	68.5
120" x 160"	305 x 406	200"	508	180½"	458	169	76.7

*Case length does not include flange

**Vinyl surfaces include all HD Progressive, Da-Mat, Da-Tex and Dual Vision surfaces

PRODUCT NOTES

- All screens except Parallax standard with 12" black drop at the top. Screens with Parallax surface standard with 2" of black drop at the top. Extra drop may alter case dimensions. Contact Da-Lite for details.
- Overall case length dimensions +/- ¼" (6mm).
- Electrical junction box extends 2½" (5.4 cm) past case length on left end of case, 1½" (2.9 cm) past ceiling flange.
- Internal junction box available. Will add 3½" (8.9 cm) to overall case length and must be specified at time of order, recommended for drywall installations.
- Junction box on top of case available. Will add 3½" (8.9 cm) to overall case length and 1¾" (4.8 cm) to height at left end of case; must be specified at time of order.

PRODUCT NOTES (continued)

- Detail dimensional drawings, wiring diagrams and installation instructions available upon request.
- Specifications subject to change without notice.
- Custom formats and sizes available upon request.
- All screens come standard with the Silent Drive System.

SURFACE INFORMATION

- All viewing surfaces are standard with black backing except Da-Tex® and Dual Vision.
- Parallax available in sizes up to 58" x 104" in HDTV format and 57½" x 92" in Wide format.
- HD Progressive 1.1 Perf and HD Progressive 1.1 Contrast Perf available in sizes up to 87" x 116" in Video format and 78" x 139" in HDTV format.
- All surfaces will be seamless in the image area.
- All HD Progressive, Da-Mat, Da-Tex and Dual Vision surfaces are fire retardant.

WHEN ORDERING, MARK APPROPRIATE SELECTIONS

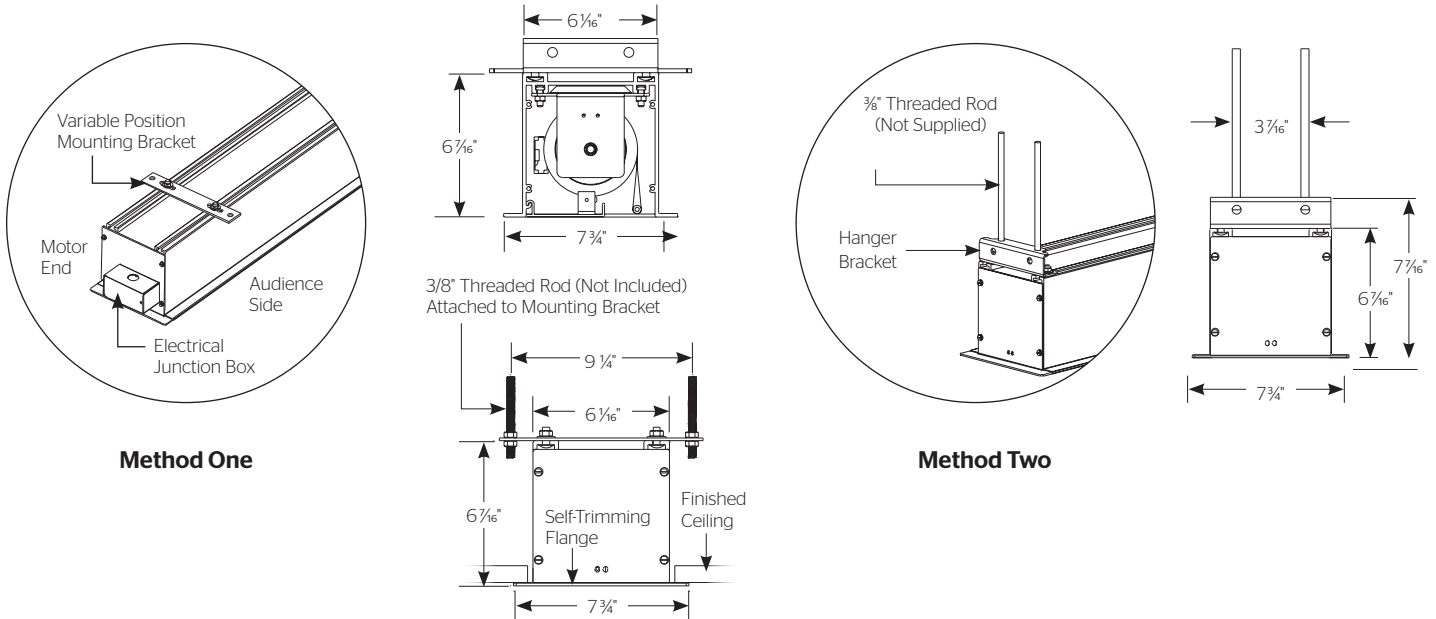
- Select Size from Charts.
- Select viewing surface (All Da-Lite surfaces are GREENGUARD GOLD Certified):

<input type="radio"/> Parallax 0.8	<input type="radio"/> HD Progressive 1.1 Contrast Perf
<input type="radio"/> HD Progressive 0.6	<input type="radio"/> HD Progressive 1.3
<input type="radio"/> HD Progressive 0.9	<input type="radio"/> Da-Mat®
<input type="radio"/> HD Progressive 1.1	<input type="radio"/> High Contrast Da-Mat®
<input type="radio"/> HD Progressive 1.1 Perf	<input type="radio"/> Da-Tex®(Rear)
<input type="radio"/> HD Progressive 1.1 Contrast	<input type="radio"/> Dual Vision
- Options:

<input type="checkbox"/> Internal Junction Box (see product notes)	<input type="checkbox"/> SCB-100 RS-232 Serial Control Board - built-in (adds 10" to overall length of case).
<input type="checkbox"/> Junction Box on Top of Case (see product notes)	<input type="checkbox"/> NET-100 Ethernet-Serial Adapter
<input type="checkbox"/> 220 Volt (50 Hz) Motor.	<input type="checkbox"/> SCB-200 RS-232 Serial Control Board - built-in (adds 10" to overall length of case).
<input type="checkbox"/> Video Projector Interface Control - built-in (Adds 10" to case length on 220V motor only).	<input type="checkbox"/> WC-200 Wall Controller
	<input type="checkbox"/> IR-200 Infrared Remote`
- Optional Accessories:

<input type="checkbox"/> Wireless Remote Control for LVC.	<input type="checkbox"/> Key Locking Cover Plate for LVC Switch.
<input type="checkbox"/> Radio Frequency Remote.	
<input type="checkbox"/> Radio Frequency Range Extender	
<input type="checkbox"/> Infrared Remote.	

SUGGESTED METHODS OF INSTALLATION:



FOR YOUR IMAGE | legrandav.com

USA P 866.977.3901 E info@da-lite.com
 CANADA P 877.345.4329 E canadainfo@milestone.com
 EMEA P +31 495 580 840 E emea.sales@milestone.com
 APAC P +852 2145 4099 E asia.da-lite@milestone.com

In British Columbia, Milestone AV Technologies ULC carries on business as MAVT Milestone AV Technologies ULC.

©2018 Milestone AV Technologies. DL-0147 (Rev. 11) 8/18 Da-Lite is a registered trademark of Milestone AV Technologies. All other brand names or marks are used for identification purposes and are trademarks of their respective owners. All patents are protected under existing designations. Other patents pending.

Project Name:	_____
Architect:	_____
Contractor:	_____ Phone: _____
Reseller:	_____ Phone: _____