



MTC-SG6/8

Square Grille for Control 328C/CT and Control 227C/CT Loudspeakers

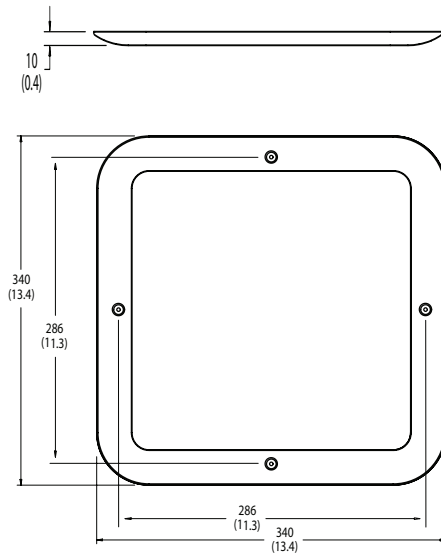
Professional Series

Key Features:

- ▶ Rugged 19 gauge metal construction for enduring reliability.
- ▶ Sculpted design for an elegant appearance and perfect for any decor or architectural setting.
- ▶ Zinc plating provides a rust and scratch resistant surface for years of maintenance free wear.
- ▶ Powder coated paint finish minimizes scratching and can easily be repainted to match any room color.



Dimensions:



Dimensions in mm (in.)

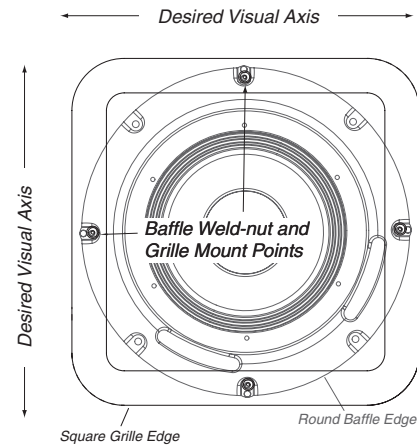
Specifications:

Material:	Zinc plated 19 gauge steel
Finish:	Powder coated RAL9016 "Traffic White", satin finish.
Grille Attachment to Baffle:	4 pcs M4 machine screws in corners.
Dimensions (H x W x D):	340 x 340 mm (13.4 x 13.4 in) square grille x depth from baffle of 10 mm (0.4 in)
Net Weight:	0.7 kg (1.5 lbs)
Shipping Weight:	1.0 kg (2.2 lbs)
Included Accessories:	5 pcs M4 powder coated machine screws. 5 pcs M4 powder coated countersink washers.

JBL Professional continually engages in research related to product improvement. Changes introduced into existing products without notice are an expression of that philosophy.

Orientation :

When using the MTC-SG6/8 square grille, be sure to align the baffle's weld-nut and the grille's mount points along the desired visual axis of the grille's edge as shown below. Failure to do so may cause misalignment of the grille edges with surrounding architectural elements.



JBL Professional
 P.O. Box 2200
 8500 Balboa Boulevard
 Northridge, CA 91329 U.S.A.
 A Harman International Company
 © 2008 JBL Professional