

**Components**

Stand Body    Tray Top    Tray Bottom

Stand Base

**A** POLE/Tray Screw (M6 x L16) x16    **B** SET Screw x2    **C** SET Screw x2

**D** Clamp x1    **E** Clamp x2    **F** Hex Key    **G** Hex Key    QSG/Manual/Warranty

**LH55WMHPTWC Components**

**A** LH55WMHPTWC    **B** Cover Terminal

**C** Power Cable

BN81-16082A-01

**1 Stand Body**

**2 Stand Base**

**3** **A** POLE/Tray Screw (M6 x L16) x 8, **F** Hex Key

**A** M6 x L16    **F** Hex Key

**4** **G** Hex Key

**G** Hex Key

**5**

**6 Tray Bottom**

Tray Bottom

**7** **A** POLE/Tray Screw (M6 x L16) x 8, **F** Hex Key

**A** M6 x L16    **F** Hex Key

**8 Tray Top**

Tray Top

**9**

**10**

HDMI    LAN    TOUCH

POWER

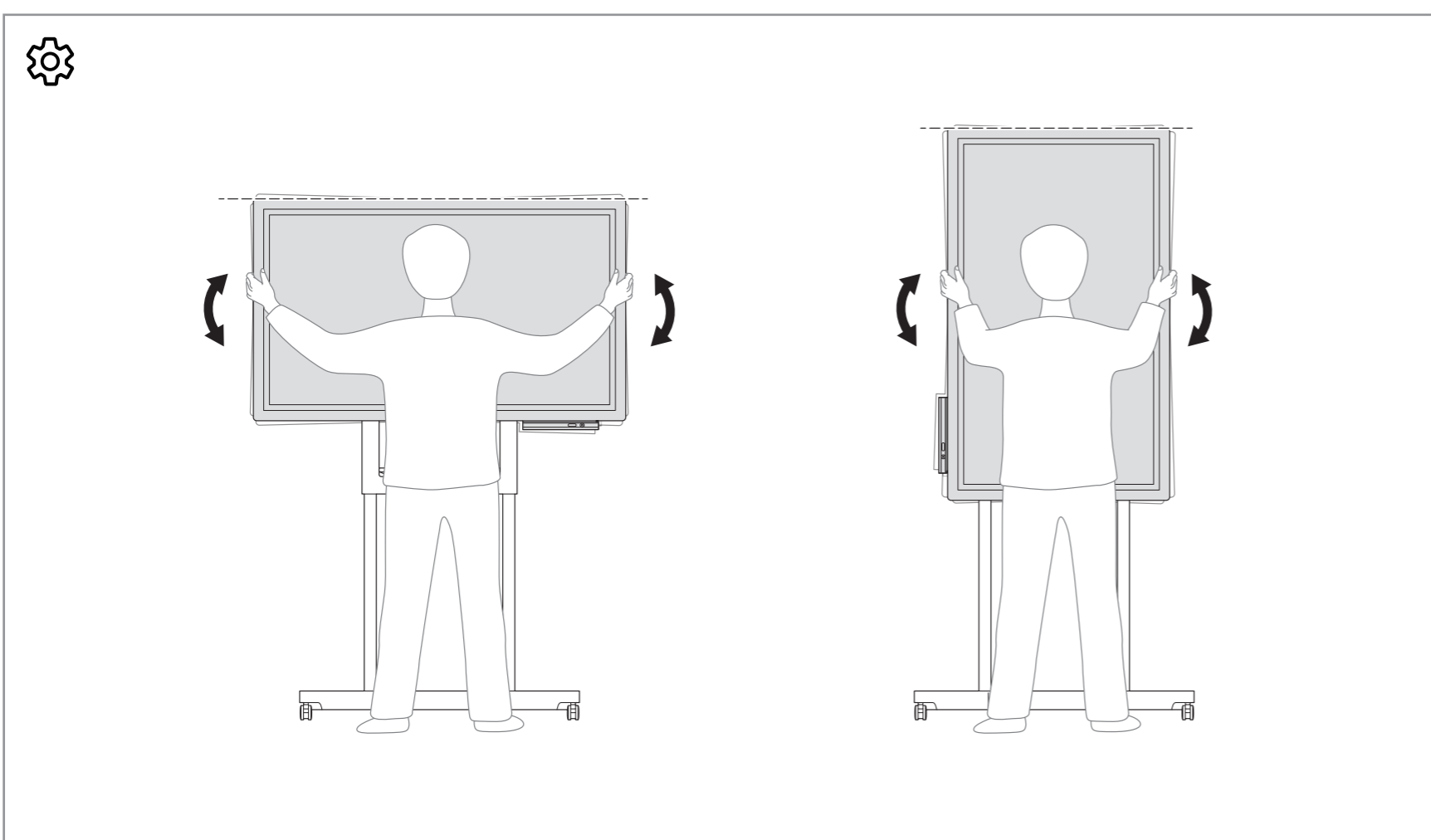
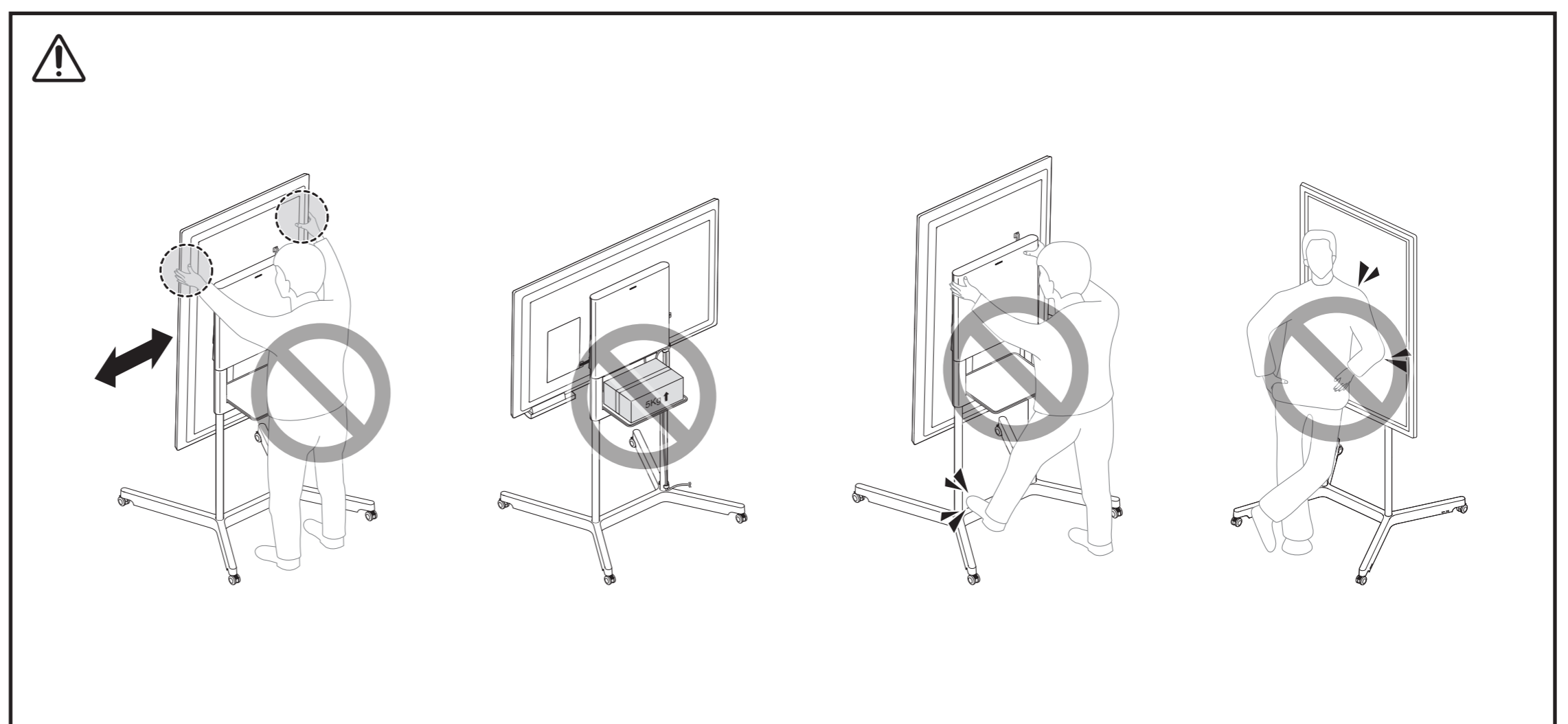
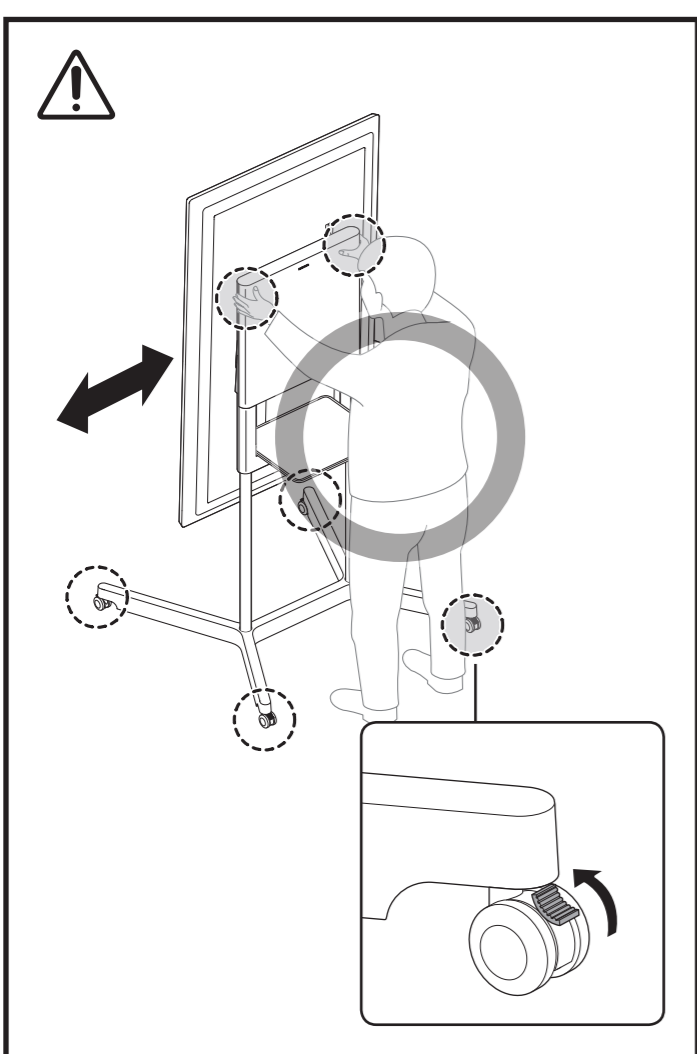
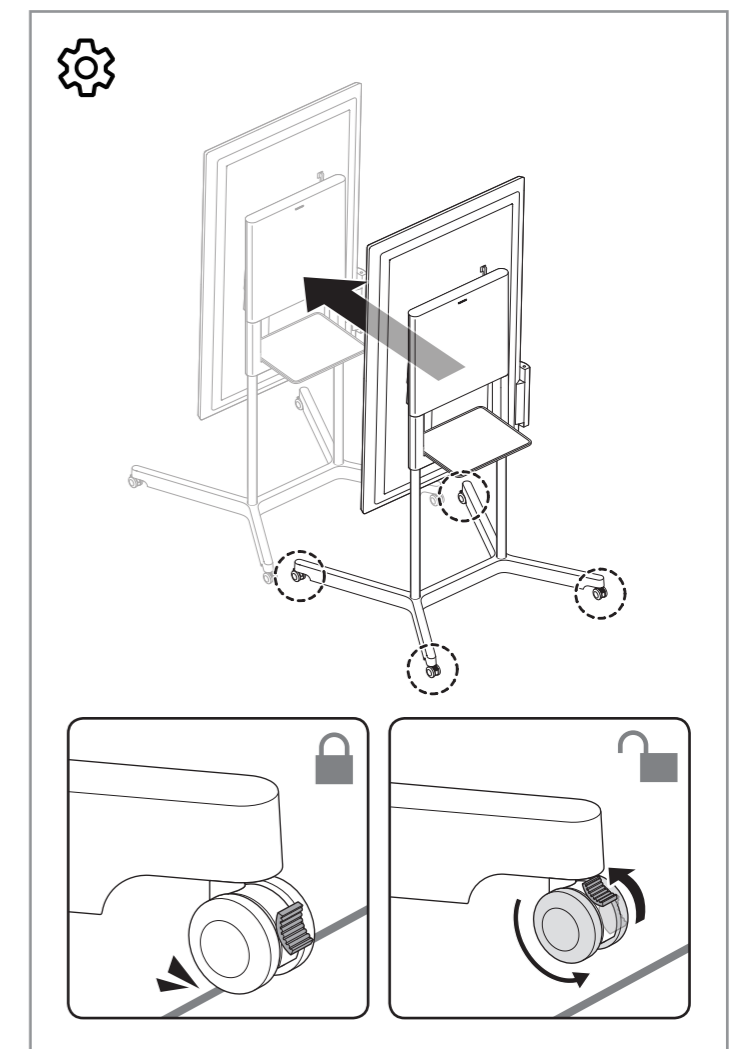
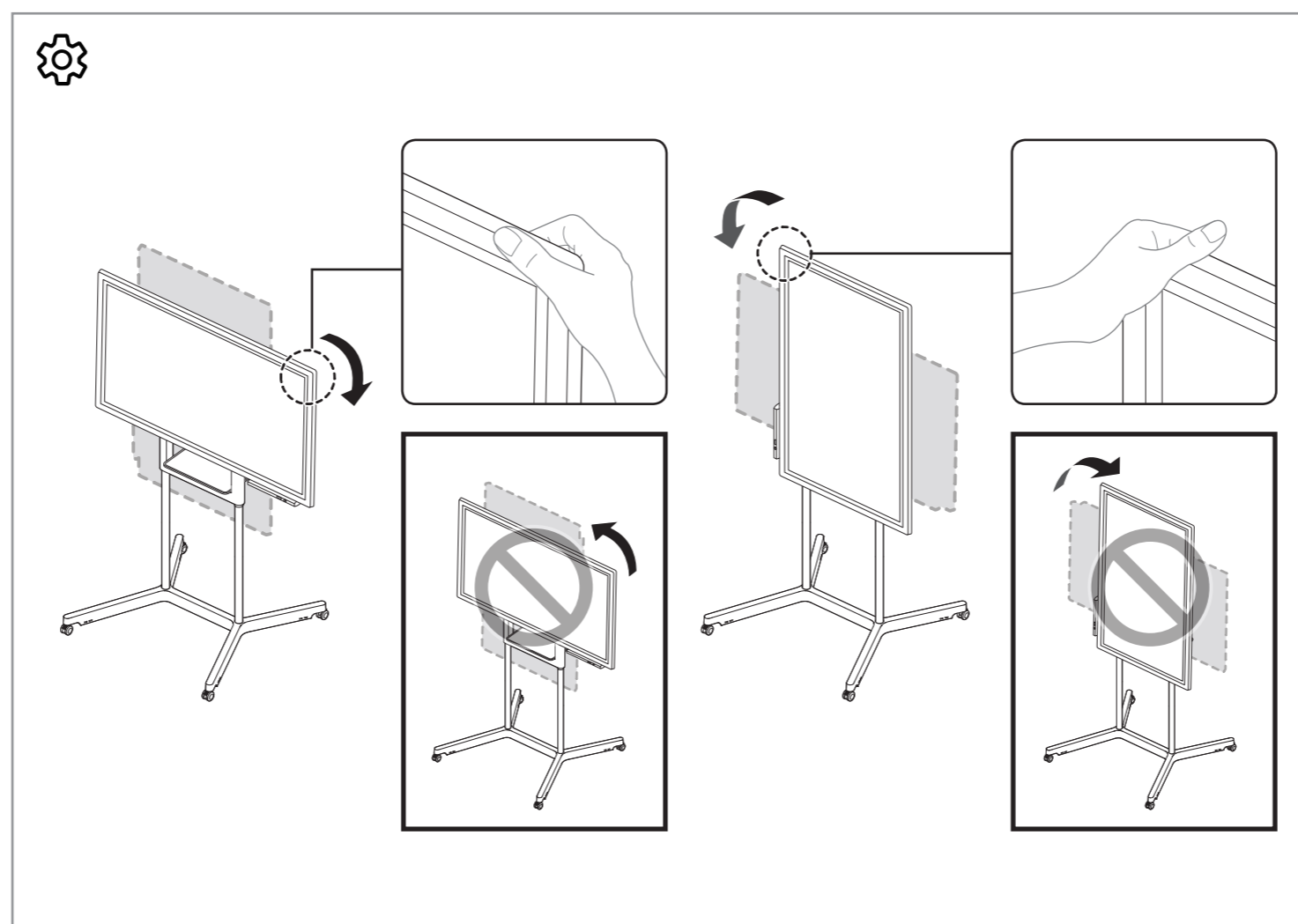
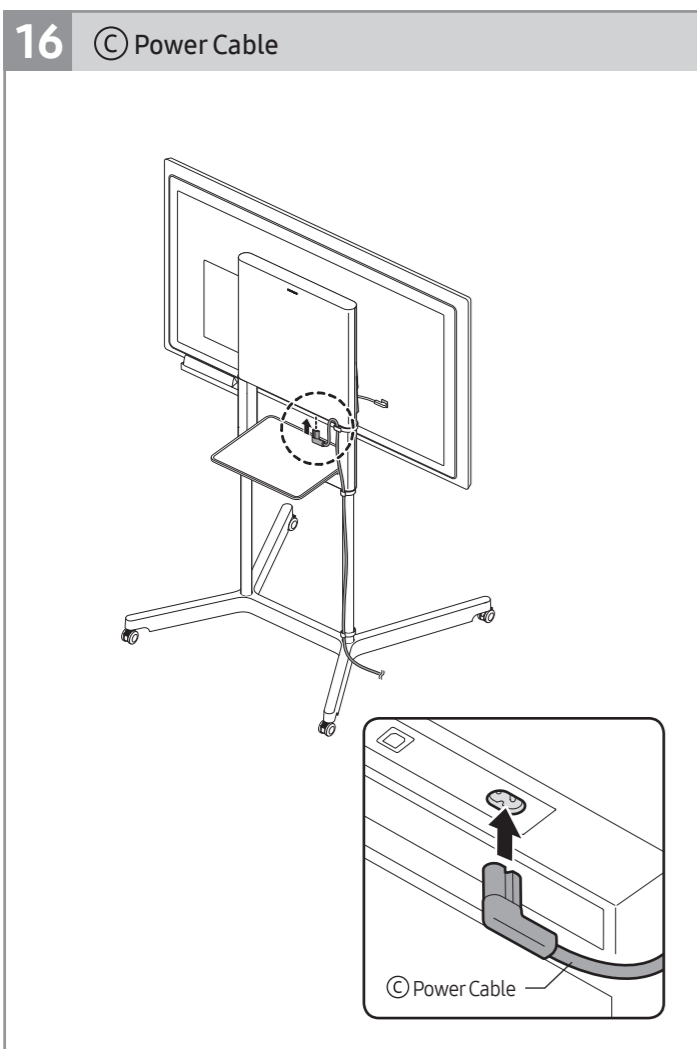
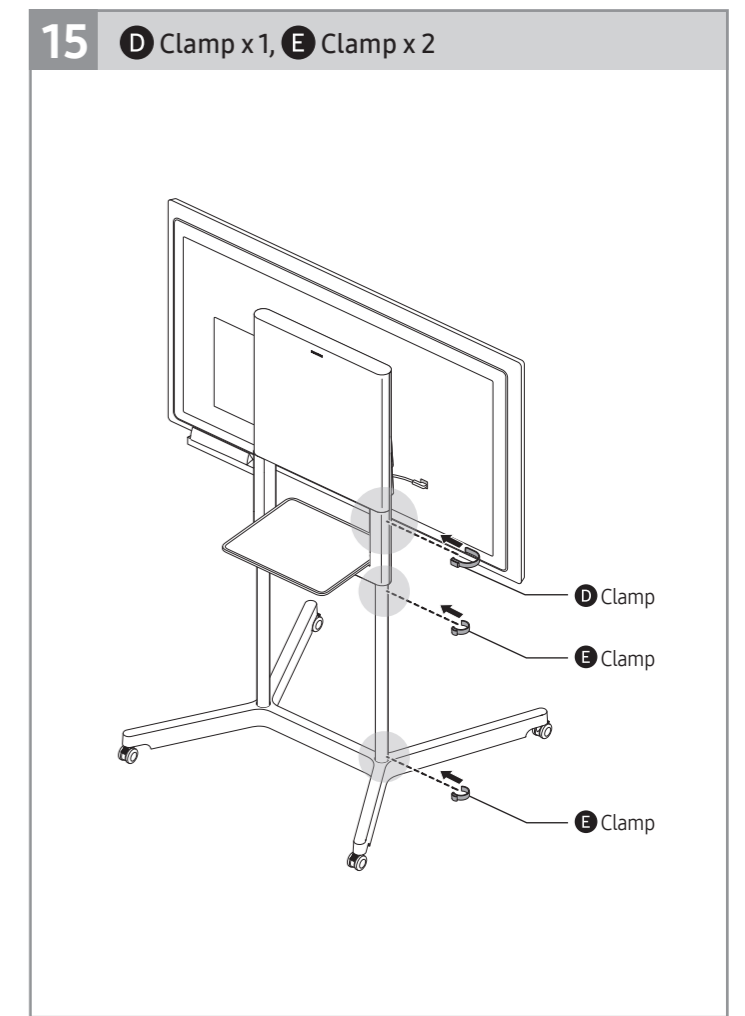
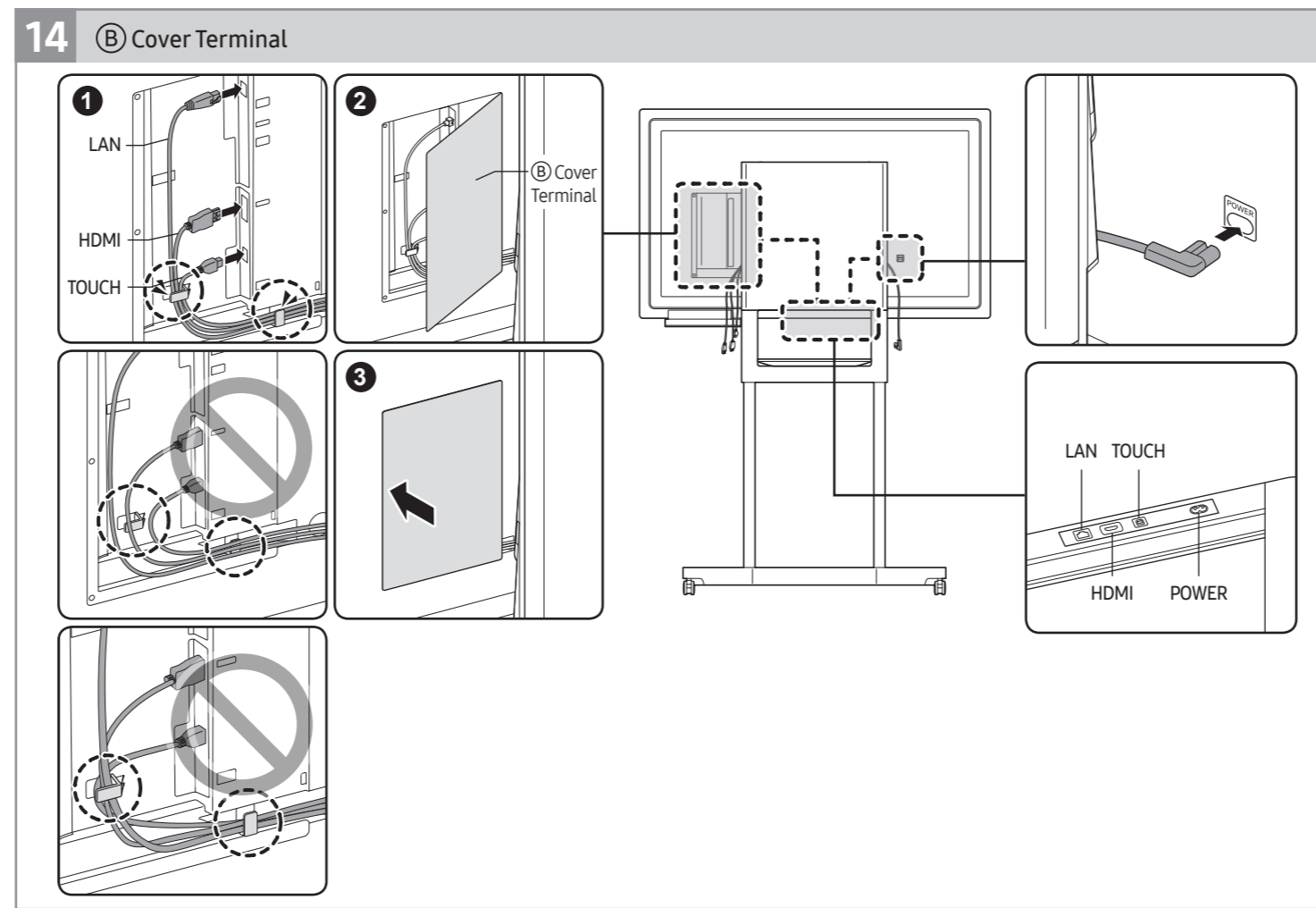
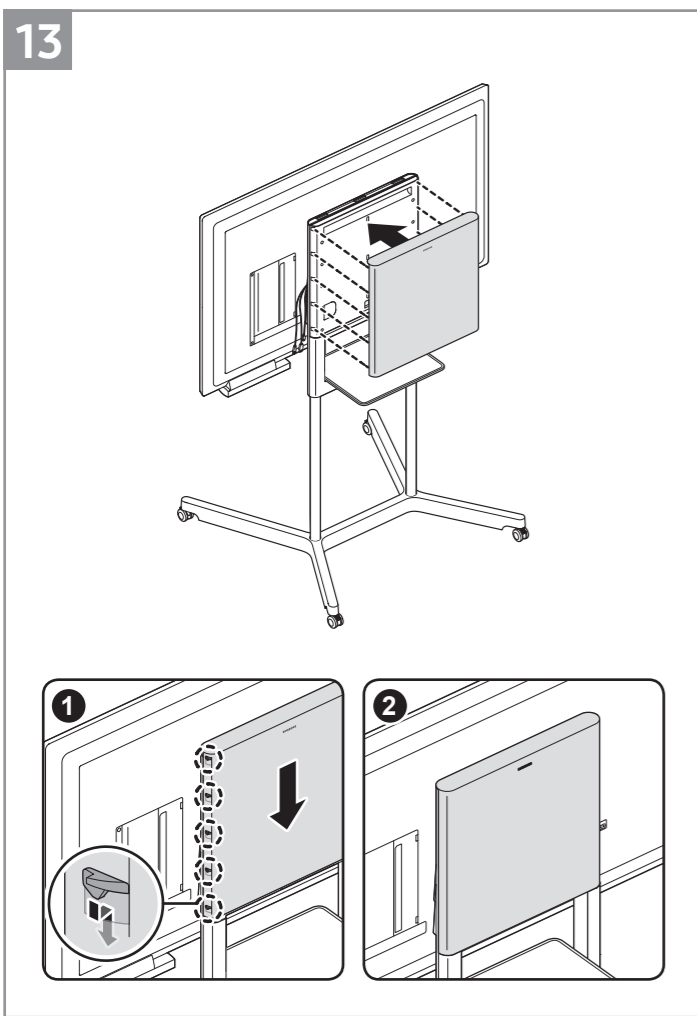
**11** **B** SET Screw x 2, **A** LH55WMHPTWC

**A** LH55WMHPTWC

**B** SET Screw

**12** **C** SET Screw x 2

**C** SET Screw



Model Name		STN-WM55H
Size (W x H x D)	(Without Flip)	1052 x 1609 x 1021 mm
	Landscape (With Flip)	1303 x 1791 x 1021 mm
	Portrait (With Flip)	1052 x 1954 x 1021 mm
Weight (Without Flip)		31.7 ± 0.5 Kg
Packing Size (W x H x D)		1682 x 228 x 1038 mm
Packing Weight		41.8 ± 0.5 Kg
Compatible model		LH55WMHPTWC