



AW295 High Power 2-Way All Weather Loudspeaker with 1 x 12" LF & Rotatable Horn

Professional Series

Key Features:

- ▶ Weather-Resistant, All Fiberglass Enclosure
- ▶ 90° x 50° Coverage
- ▶ 2262H Differential Drive® Low-Frequency Driver
- ▶ 2432H High Frequency Compression Driver
- ▶ Large PT™ Progressive Transition waveguide for excellent pattern control and low distortion
- ▶ Rotatable wave guide for vertical or horizontal orientation
- ▶ Available in Gray and Black finish
- ▶ 400 W, 70/100V Transformer Included
- ▶ U-type Mounting Bracket Included

Applications:

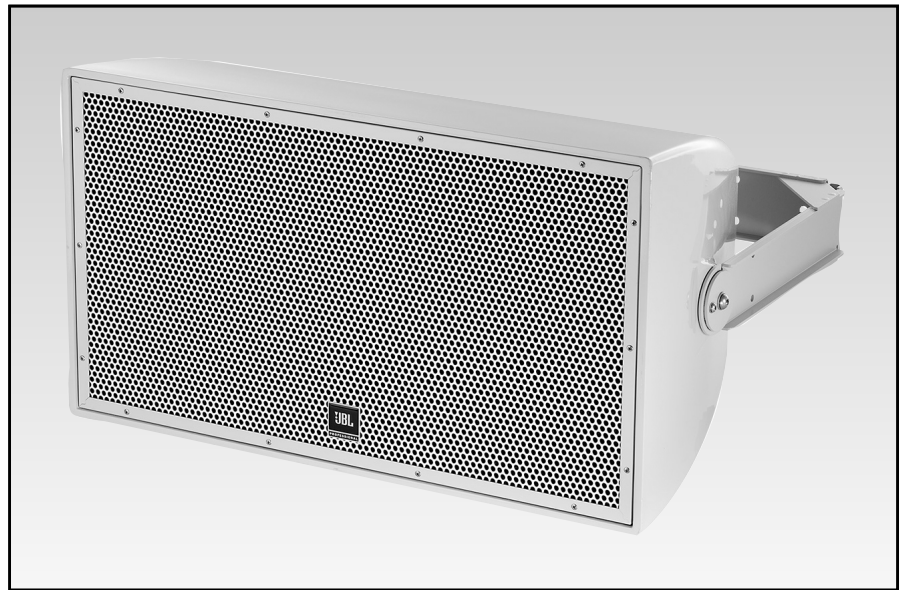
- ▶ Sports Facilities
- ▶ Themed Entertainment Venues
- ▶ Outdoor Entertainment Centers
- ▶ Cruise Ships
- ▶ Water Parks

The AW295 is a high power, lightweight, 2-way, full-range loudspeaker system comprised of the JBL Differential Drive dual voice coil and dual magnetic gap 2262H 300 mm (12 in) low-frequency driver and 2432H high-frequency 38 mm (1.5 in) exit, 75 mm (3 in) voice-coil compression driver. The large format Progressive Transition wave-guide provides excellent 90° x 50° coverage. The waveguide is rotatable so the loudspeaker system can be used in either the vertical or horizontal orientation.

The enclosure is constructed of multilayer glass composite and is heavily braced to maximize low-frequency performance. The 16-gauge stainless steel grille, backed with open cell foam and stainless steel mesh, provides excellent protection in the harshest environments. The system can be operated as an 8-ohm device and is equipped with a 400W transformer for 70/100V applications.

A corrosion-resistant extra-thick zinc-plated polyester powder coated U-type mounting bracket is included.

The AW295 is part of JBL's AE Series, a versatile family of loudspeakers intended for a wide variety of applications.



Specifications:

System:	
Frequency Range (-10 dB):	43 Hz – 20 kHz
Frequency Response (±3 dB):	53 Hz – 18 kHz
Coverage Pattern:	90° x 50°, rotatable waveguide
Directivity Factor (Q):	12.6
Directivity Index (DI):	11 dB
Crossover Frequency:	1.3 kHz
Long-Term System Power Rating (IEC):	500 W (2000 W peak), 100 hrs
Maximum SPL:	126 dB-SPL cont avg (132 dB peak)
System Sensitivity (1W @ 1m):	98 dB SPL
70V / 100V Transformer Taps:	70V: 400 W, 200 W, 100W 100V: 400W, 200W
Transducers:	
Low Frequency Driver:	1 x JBL 2262H 300 mm (12 in) Differential Drive® driver with 75 mm (3 in) dual voice coil
Nominal Impedance:	8 ohms
Sensitivity ¹ (1W @ 1m, within operational band):	96 dB SPL
High Frequency Driver:	JBL 2432H, 38 mm (1.5 in) exit compression driver, 75 mm (3 in) voice coil
Nominal Impedance:	8 ohms
Sensitivity ² (1W @ 1m):	113 dB SPL
Waveguide:	PT-H95HF-1
Physical:	
Enclosure:	Hand-Laminated Fiberglass, gray gelcoat (similar to Pantone 420C), available in black (-BK)
Suspension Attachment:	2 x M10 for Included U-Bracket, 2 x M6 for aiming stabilization, 1 x M10 on rear for safety.
Grille:	Three layer grille assemblies consisting of 16-gauge powder coated stainless steel, backed with open cell foam and stainless steel mesh.
Input Connector:	CE-compliant covered barrier strip terminals. Barrier terminals accept up to 5.2 sq mm (10 AWG) wire or max width 9 mm (.375 in) spade lugs.
Environmental Specifications:	IP55C per IEC529.
Dimensions (H x W x D in horizontal cabinet orientation):	409 x 732 x 452 mm (16.1 x 28.8 x 17.8 in)
Net Weight:	25.2 kg (55.5 lb)

¹IEC standard, full bandwidth pink noise with 6 dB crest factor, 100 hours.

²Calculated based on power rating and sensitivity, exclusive of power compression.

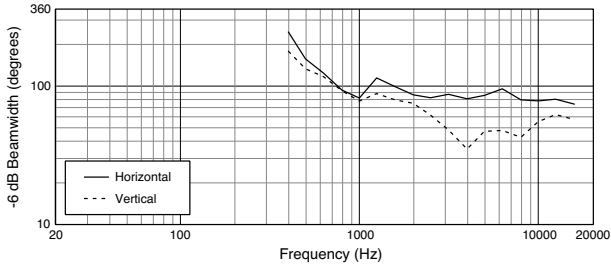
³Anechoic sensitivity in free field, no additional sensitivity gain from boundary loading.

⁴Per EN54-24 Components of voice alarm system - loudspeakers 70V/400W (35V RMS, 70V peak), 100V/400W (50V RMS, 100V peak)

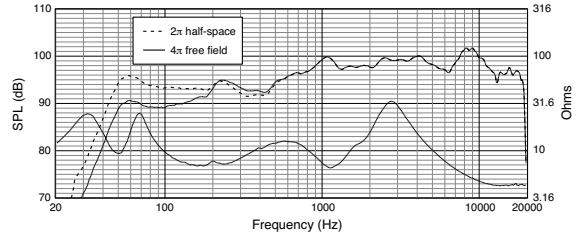
JBL continually engages in research related to product improvement. Changes introduced into existing products without notice are an expression of that philosophy.

▶ AW295 High Power 2-Way All Weather Loudspeaker with 1 x 12" LF & Rotatable Horn

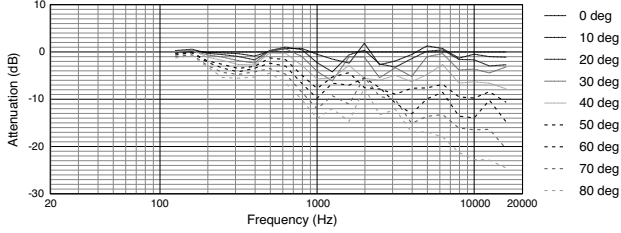
Beamwidth



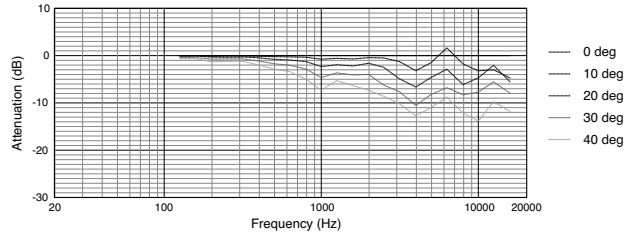
Frequency Response and Impedance



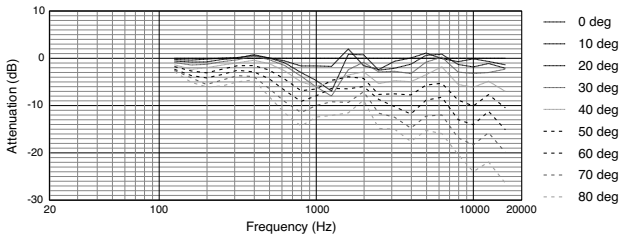
Horizontal Off-Axis Frequency Response Right



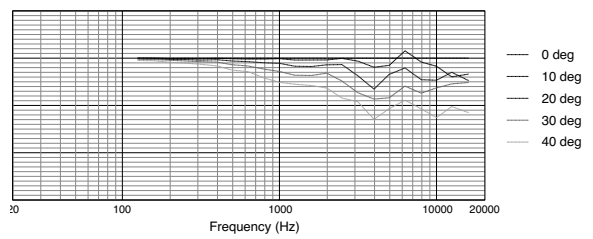
Vertical Up Off-Axis Frequency Response



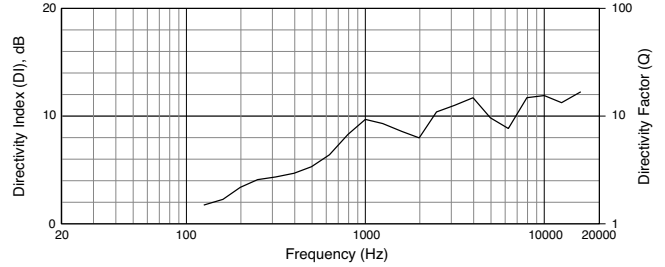
Horizontal Off-Axis Frequency Response Left



Vertical Down Off-Axis Frequency Response



Directivity Index, Q

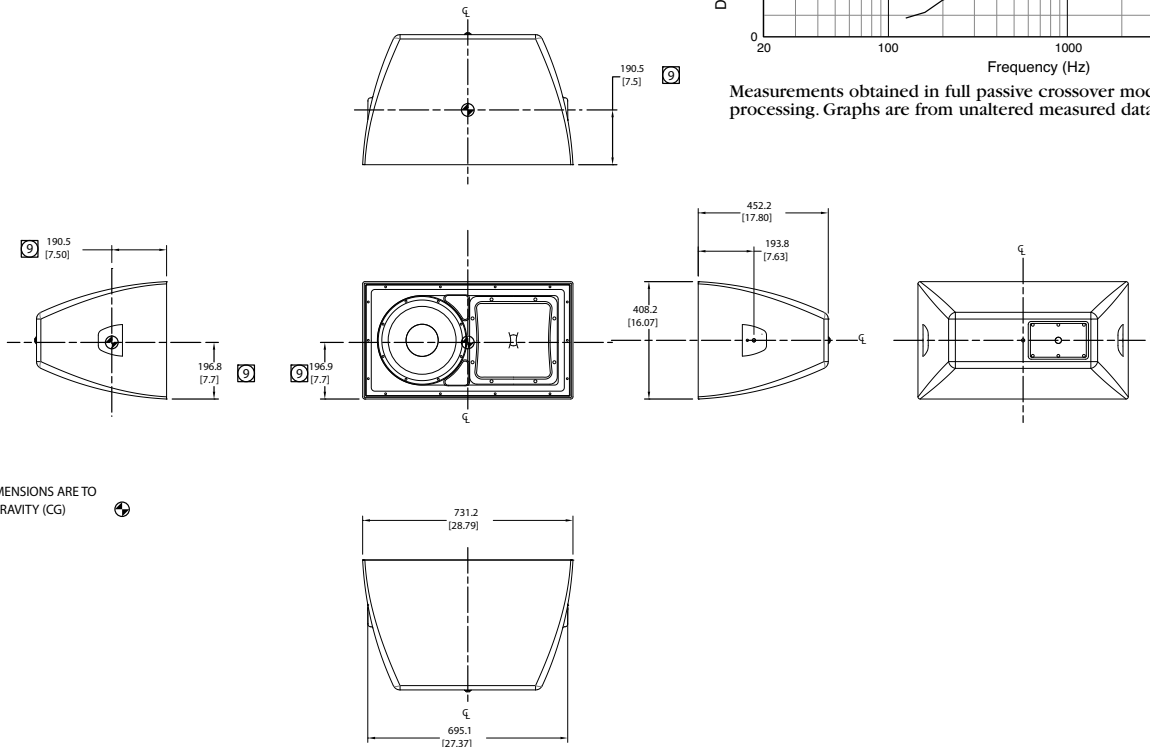


Measurements obtained in full passive crossover mode with no signal processing. Graphs are from unaltered measured data.

Dimensions

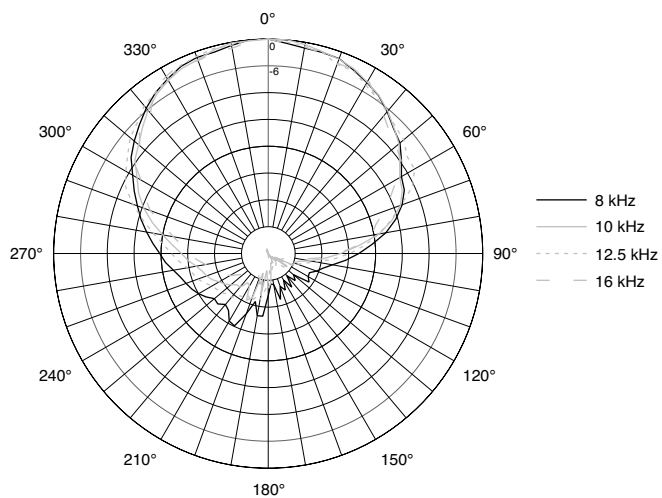
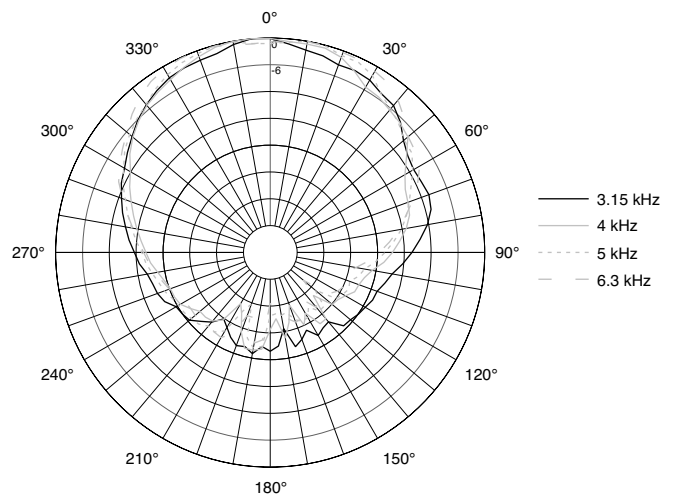
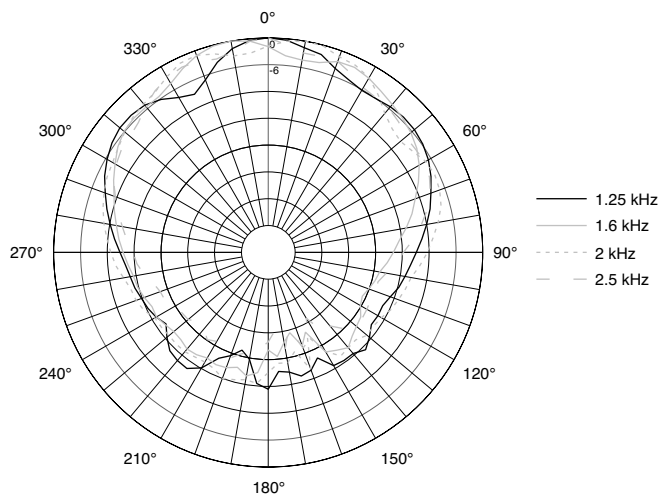
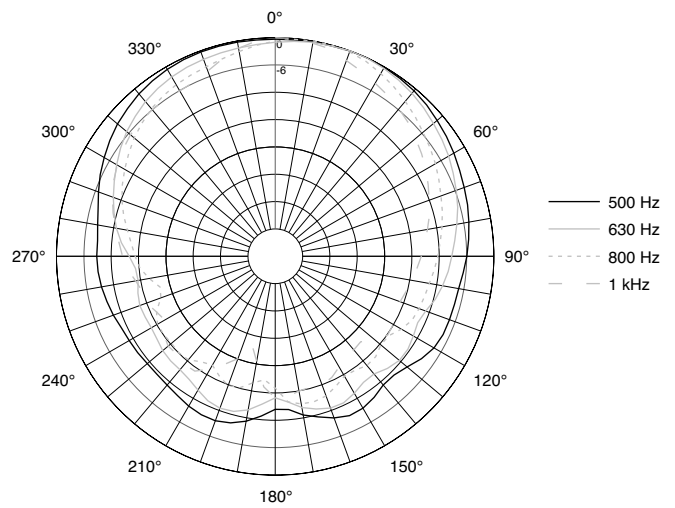
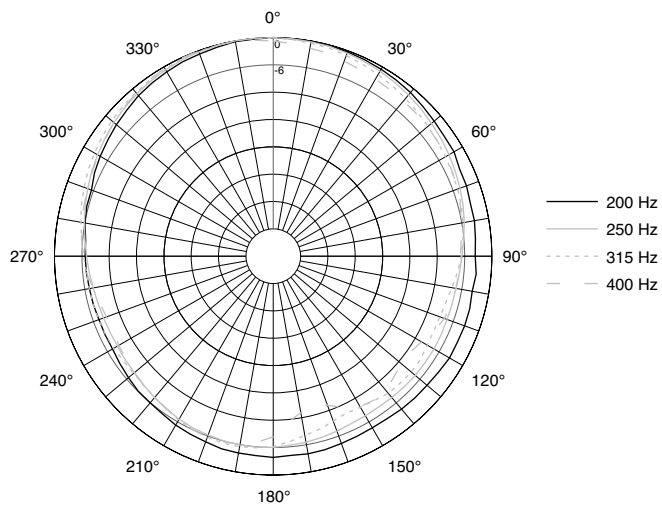
Dimensions in mm (in)

For more detailed dimensional information, refer to Application Data Sheet



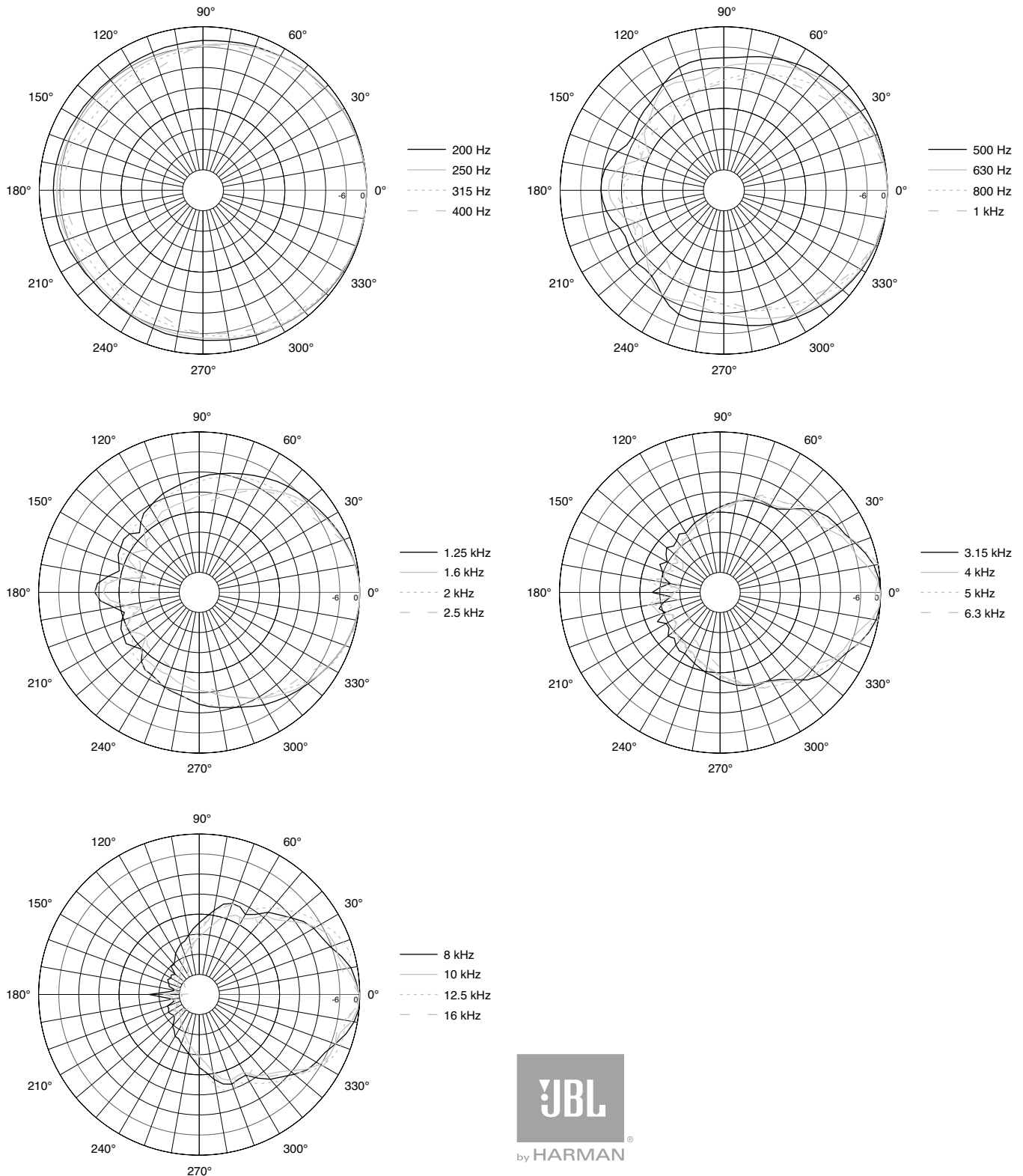
INDICATED DIMENSIONS ARE TO CENTER OF GRAVITY (CG)

Horizontal 1/3 Octave Polars



▶ AW295 High Power 2-Way All Weather Loudspeaker with 1 x 12" LF & Rotatable Horn

Vertical 1/3 Octave Polars



JBL Professional
 8500 Balboa Boulevard, P.O. Box 2200
 Northridge, California 91329 U.S.A.

© Copyright 2014 JBL Professional

5017360
 SS AW295
 CRP
 05/14