

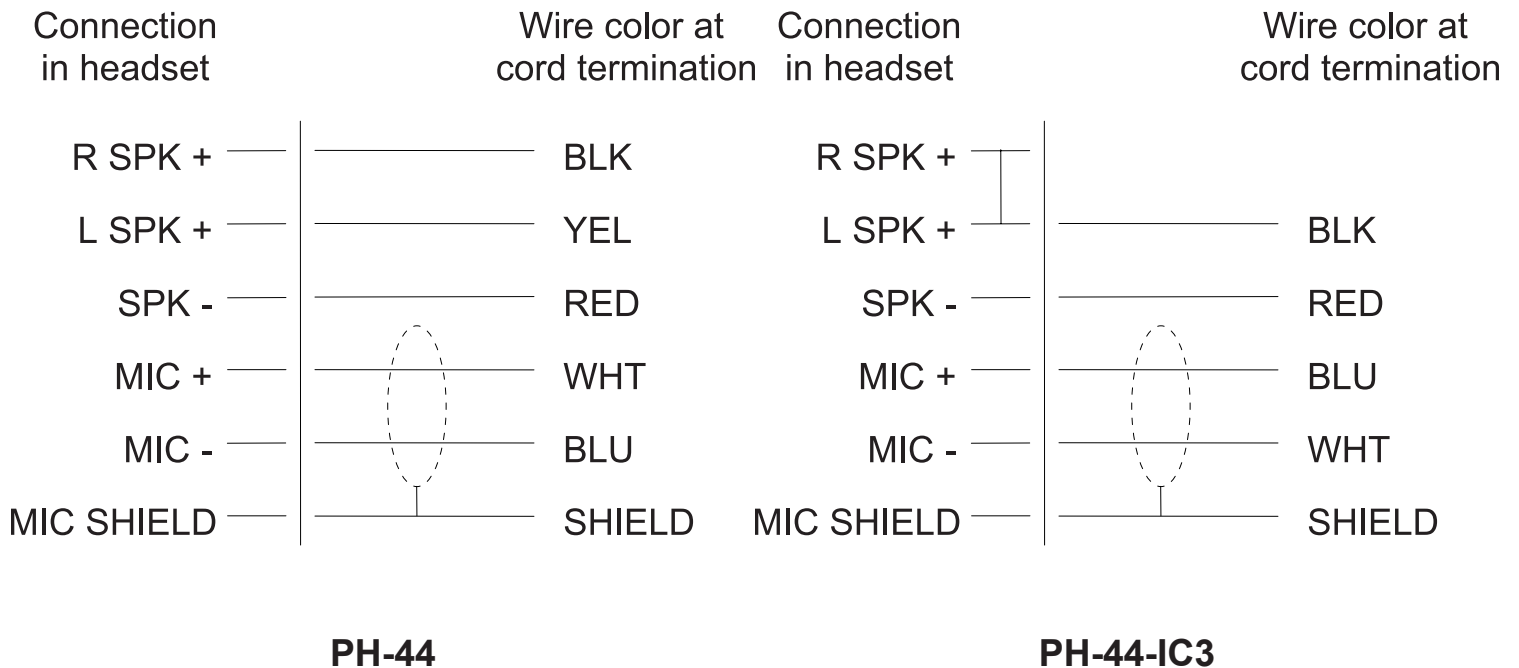


PH-44

Dual-Sided Headset with Flexible Dynamic Boom Mic

The PH-44 headset is a dual-sided lightweight headset for the ultimate in daylong comfort. It offers a dynamic noise-canceling gooseneck microphone with a semi-rigid, fully adjustable boom for precise positioning. The high-quality wide band dynamic earphones are covered in moleskin for better fit, isolation and frequency response. Available with 4- or 5-pin male or female XLR connectors, 3.5mm connector, 6-pin male XLR connector, or pigtail termination.

Wiring Diagram



PH-44 Specifications

Connector Termination

PH-44: XLR 4-pin Female
PH-44A5: XLR 5-pin Female
PH-44IC3: Dual 3.5mm
PH-44PT: Stripped Wire
PH-44R: XLR 4-pin Male
PH-44R5: XLR 5-pin Male
PH-44R6: XLR 6-pin Male

Type

PH-44: Dual Sided Monaural
PH-44A5: Dual Sided Stereo
PH-44IC3: Dual Sided Monaural
PH-44PT: Dual Sided
PH-44R: Dual Sided Monaural
PH-44R5: Dual Sided Stereo
PH-44R6: Dual Sided Stereo

Mic Type

Dynamic Noise-Canceling

Mic Sensitivity

-65dBV/Pa @1cm

Mic Frequency Range

200Hz - 10kHz

Mic Impedance

200Ω

Speaker Sensitivity

109dB SPL @1kHz, 1mW

Speaker Frequency Range

100Hz - 7kHz

Speaker Impedance

PH-44: 150Ω
PH-44A5: 300Ω per side
PH-44IC3: 150Ω
PH-44PT: 300Ω per side
PH-44R: 150Ω
PH-44R5: 300Ω per side
PH-44R6: 300Ω per side

Weight

3oz. (not including cord)

Cord Length

PH-44: 5.5 ft.
PH-44A5: 5.5 ft.
PH-44IC3: 9 ft.
PH-44PT: 5.5 ft.
PH-44R: 5.5 ft.
PH-44R5: 5.5 ft.
PH-44R6: 5.5 ft.

Ordering Information

PH-44

Dual-Sided Headset with Flexible Dynamic Boom Mic & A4F Connector

Catalog Number: 300853-400

PH-44-IC3

Dual-Sided Headset with Flexible Dynamic Boom Mic, 150Ω Earphone, & two 3.5mm Connectors. Works with the ICW-3.

Catalog Number: 300853-300

PH-44A5

Dual-Sided Headset with Flexible Dynamic Boom Mic & A5F Connector

Catalog Number: 300853500

PH-44PT

Dual-Sided Headset with Flexible Dynamic Boom Mic & Pigtail Termination

Catalog Number: 300853-502

PH-44R

Dual-Sided Headset with Flexible Dynamic Boom Mic & A4M Connector

Catalog Number: 300853-401

PH-44R5

Dual-Sided Headset with Flexible Dynamic Boom Mic & A5M Connector

Catalog Number: 300853-501

PH-44R6

Dual-Sided Headset with Flexible Dynamic Boom Mic & A6M Connector

Catalog Number: 300853-600

This specifications information is preliminary and is subject to change without notification.

Brand names mentioned are the property of their respective companies.